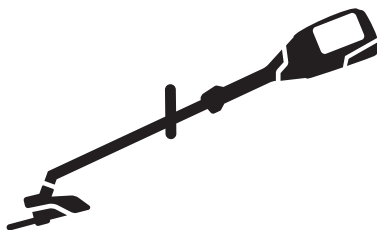




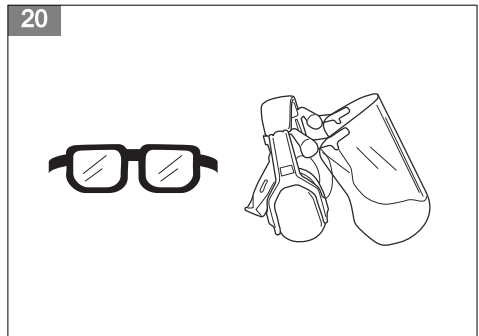
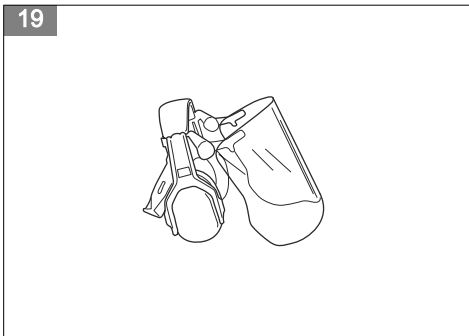
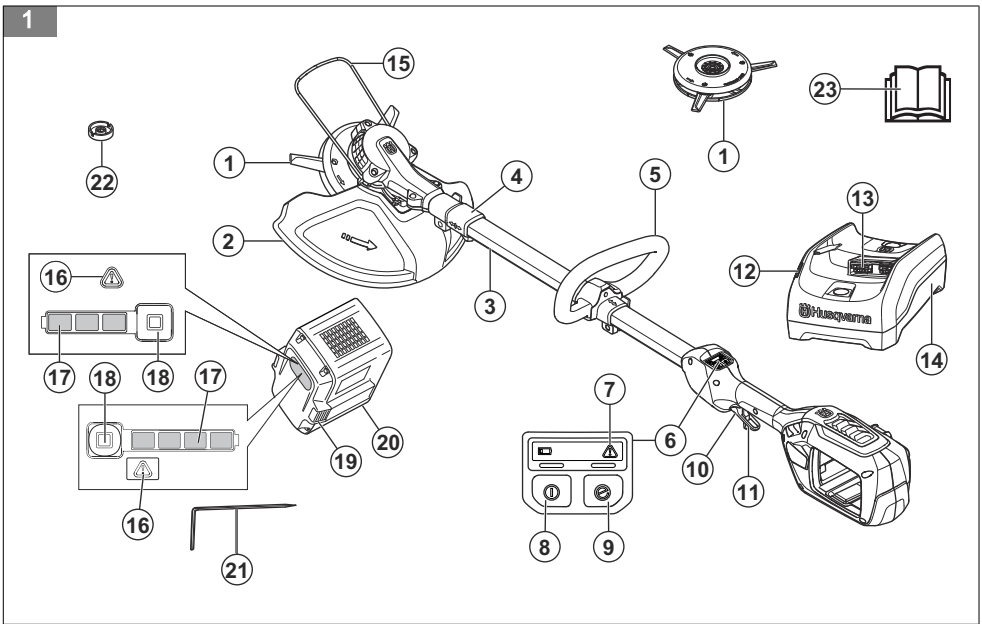
Husqvarna®



215iL-TC

EN	Operator's manual	8-24
BG	Ръководство за експлоатация	25-43
CS	Návod k použití	44-59
DA	Brugsanvisning	60-75
DE	Bedienungsanweisung	76-94
EL	Οδηγίες χρήσης	95-112
ES	Manual de usuario	113-129
ET	Kasutusjuhend	130-145
FI	Käyttöohje	146-160
FR	Manuel d'utilisation	161-178
HR	Priručnik za korištenje	179-194
HU	Használati utasítás	195-211
IT	Manuale dell'operatore	212-228
JA	取扱説明書	229-244
LT	Operatoriaus vadovas	245-260
LV	Lietošanas pamācība	261-276
NL	Gebruiksaanwijzing	277-293
NO	Bruksanvisning	294-309
PL	Instrukcja obsługi	310-326
PT	Manual do utilizador	327-343
RO	Instrucțiuni de utilizare	344-360
RU	Руководство по эксплуатации	361-379
SK	Návod na obsluhu	380-395
SL	Navodila za uporabo	396-411
SR	Priručnik za rukovaoca	412-427
SV	Bruksanvisning	428-443
TR	Kullanım kılavuzu	444-459
UK	Посібник користувача	460-477

1



21



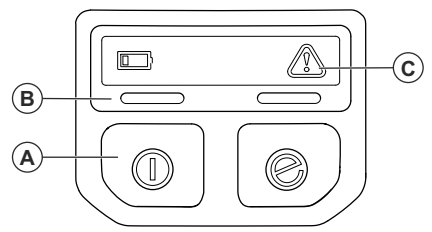
22



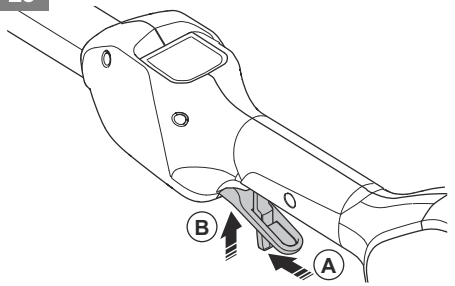
23



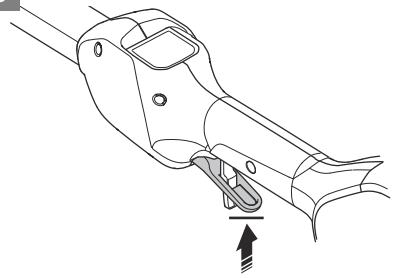
24



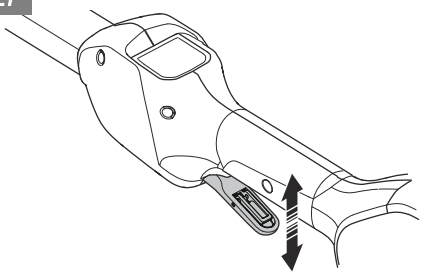
25



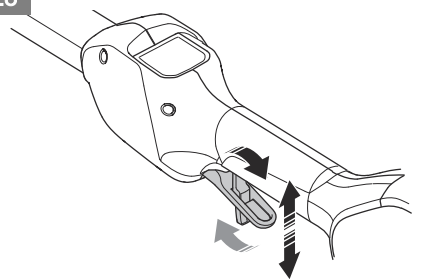
26



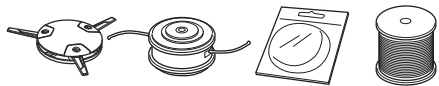
27



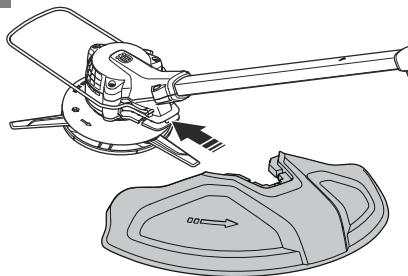
28



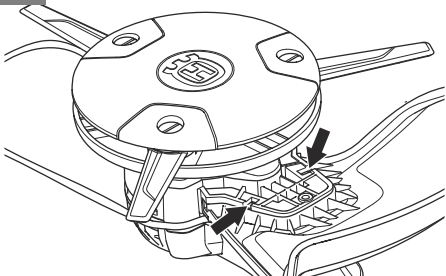
29



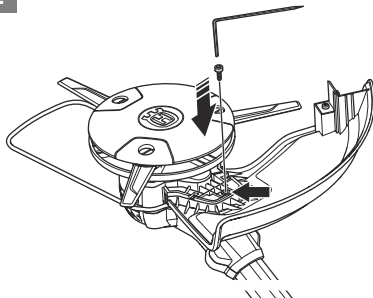
30



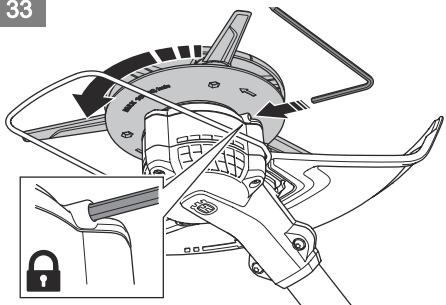
31



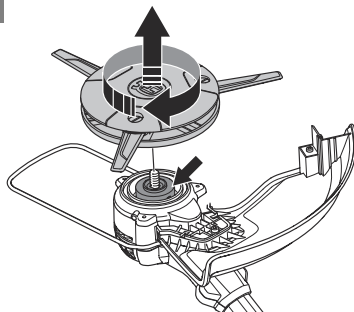
32



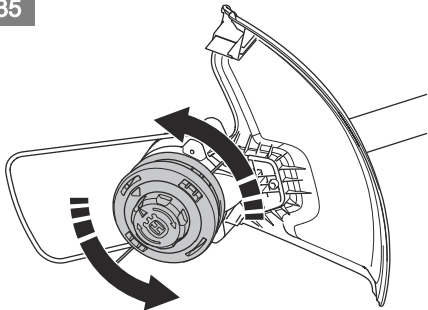
33



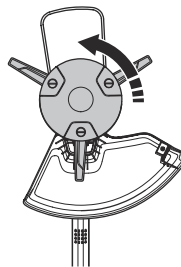
34



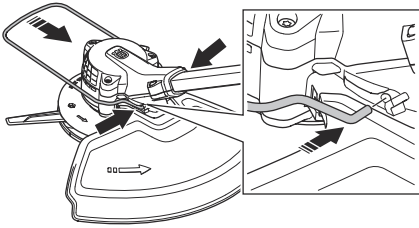
35



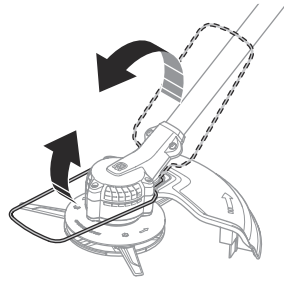
36



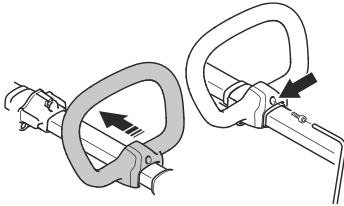
37



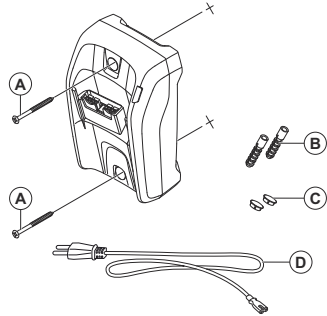
38



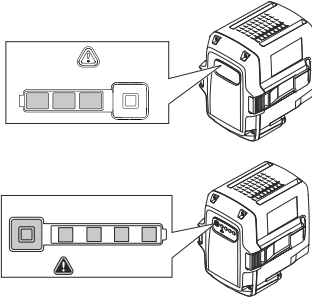
39



40



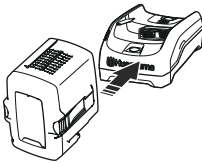
41



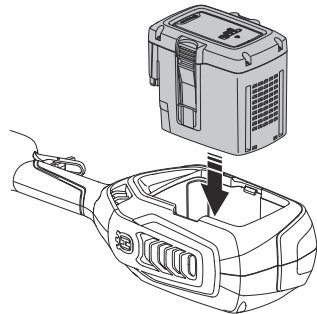
42



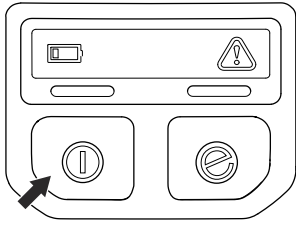
43



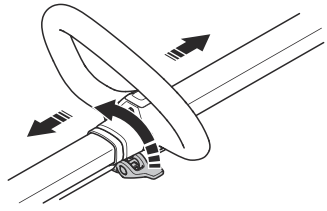
44



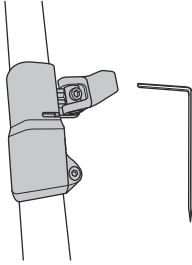
45



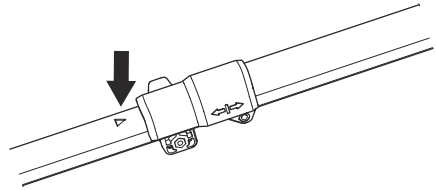
46



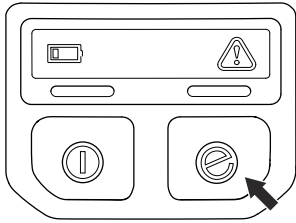
47



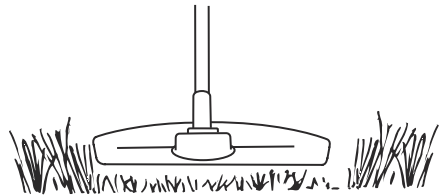
48



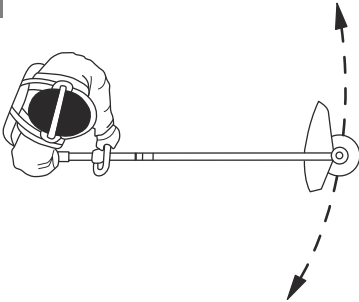
49



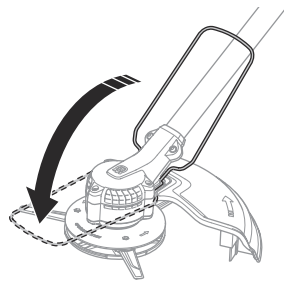
50



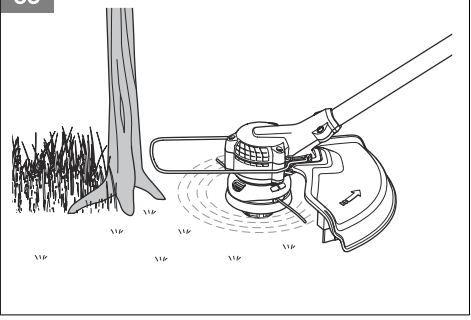
51



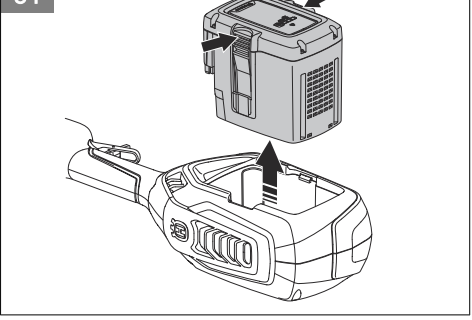
52



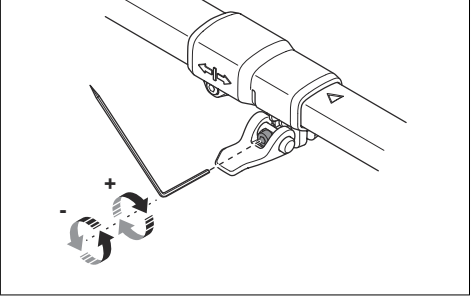
53



54



55



Contents

Introduction.....	8	Transportation, storage and disposal.....	20
Safety.....	9	Technical data.....	20
Assembly.....	15	Accessories.....	22
Operation.....	16	Declaration of Conformity.....	23
Maintenance.....	18	Appendix	478
Troubleshooting.....	19		

Introduction

Product description

Husqvarna 215iL-TC is a battery grass trimmer with an electrical motor.

Work is constantly in progress to increase your safety and efficiency during operation. Speak to your servicing dealer for more information.

Intended use

The product is used with non-metallic plastic blades. Do not use the product for other tasks than to cut weed, grass or similar soft vegetation.

Product overview

(Fig. 1)

1. Trimmer head Tri-Cut
2. Cutting attachment guard
3. Shaft
4. Shaft adjustment (telescope)
5. Loop handle
6. Keypad
7. Keypad warning indicator
8. Start/stop button
9. SavE button
10. Power trigger
11. Power trigger lockout
12. Power on and warning indicator
13. Connector
14. Battery Charger 40-C80
15. Plant guard
16. Battery warning indicator
17. Battery status
18. Battery indicator button
19. Battery release buttons
20. Battery
21. Combination tool
22. Drive disc
23. Operator's manual

Note: National regulations can set limit to the operation of the product.

Only use the product with accessories that are approved by the manufacturer. Refer to *Accessories on page 22*.

Symbols on the product

- (Fig. 2) **WARNING:** This product can be dangerous and cause serious injury or death to the operator or others. Be careful and use the product correctly.
- (Fig. 3) Read the operator's manual carefully and make sure that you understand the instructions before use.
- (Fig. 4) Put on eye and ear protection.
- (Fig. 5) Do not expose to rain.
- (Fig. 6) Noise emissions to the environment label as per EU (also including New South Wales Legislation) and UK directives and regulations. Noise emission data can be found on the machine label and in the Technical data chapter. Only applicable when the product is equipped with a trimmer line.
- (Fig. 7) Beware of thrown objects.
- (Fig. 8) Disconnect battery before maintenance.
- (Fig. 9) The product or package of the product is not domestic waste. Recycle it at

a recycling station for electrical and electronic equipment.

(Fig. 11)

The product conforms to the applicable UK regulations.

(Fig. 10) The product agrees with the applicable EU directives.

(Fig. 12)

Direct current.

(Fig. 16)

The distance between the machine and bystanders shall be at least 15 m (50 ft).

(Fig. 17)

Do not use metal blades.

yyyywwxxxx

The rating plate or the laser printing shows the serial number. **yyyy** is the production year and **ww** is the production week.

Symbols on the battery and/or on the battery charger

(Fig. 18)

Recycle this product at a recycling station for electrical and electronic equipment. (Applies to Europe only)

(Fig. 13)

Fail-safe transformer.

(Fig. 14)

Use and keep the battery charger indoors only.

(Fig. 15)

Double insulation.

Product damage

We are not responsible for damages to our product if:

- the product is incorrectly repaired.
- the product is repaired with parts that are not from the manufacturer or not approved by the manufacturer.
- the product has an accessory that is not from the manufacturer or not approved by the manufacturer.
- the product is not repaired at an approved service center or by an approved authority.

Safety

Safety definitions

Warnings, cautions and notes are used to point out specially important parts of the manual.



WARNING: Used if there is a risk of injury or death for the operator or bystanders if the instructions in the manual are not obeyed.



CAUTION: Used if there is a risk of damage to the product, other materials or the adjacent area if the instructions in the manual are not obeyed.

Note: Used to give more information that is necessary in a given situation.

General machine safety warnings



WARNING: Read all safety warnings, instructions, illustrations and specifications provided with this machine. *Failure to follow all instructions listed below may result in electric shock, fire and/or serious injury.*

Save all warnings and instructions for future reference.

Note: *The term "machine" in the warnings refers to your mains-operated (corded) machine or battery-operated (cordless) machine.*

Work area safety

- **Keep work area clean and well lit.** Cluttered or dark areas invite accidents.
- **Do not operate machine in explosive atmospheres, such as in the presence of flammable liquids, gases or dust.** Machines create sparks which may ignite the dust or fumes.
- **Keep children and bystanders away while operating a machine.** Distractions can cause you to lose control.

Electrical safety

- **Machine plugs must match the outlet. Never modify the plug in any way. Do not use any adapter plugs with earthed (grounded) machines.** Unmodified plugs and matching outlets will reduce risk of electric shock.
- **Avoid body contact with earthed or grounded surfaces, such as pipes, radiators, ranges and refrigerators.** There is an increased risk of electric shock if your body is earthed or grounded.

- **Do not expose machines to rain or wet conditions.** Water entering a machine will increase the risk of electric shock.
- **Do not abuse the cord. Never use the cord for carrying, pulling or unplugging the machine. Keep cord away from heat, oil, sharp edges or moving parts.** Damaged or entangled cords increase the risk of electric shock.
- **When operating a machine outdoors, use an extension cord suitable for outdoor use.** Use of a cord suitable for outdoor use reduces the risk of electric shock.
- **If operating a machine in a damp location is unavoidable, use a residual current device (RCD) protected supply.** Use of a RCD reduces the risk of electric shock.
- **Do not use the machine if the switch does not turn it on and off.** Any machine that cannot be controlled with the switch is dangerous and must be repaired.
- **Disconnect the plug from the power source and/or remove the battery pack, if detachable, from the machine before making any adjustments, changing accessories, or storing machines.** Such preventive safety measures reduce the risk of starting the machine accidentally.
- **Store idle machines out of the reach of children and do not allow persons unfamiliar with the machines or these instructions to operate the machines.** Machines are dangerous in the hands of untrained users.
- **Maintain machines and accessories. Check for misalignment or binding of moving parts, breakage of parts and any other condition that may affect the machines' operation. If damaged, have the machine repaired before use.** Many accidents are caused by poorly maintained machines.

Personal safety

- **Stay alert, watch what you are doing and use common sense when operating a machine. Do not use a machine while you are tired or under the influence of drugs, alcohol or medication.** A moment of inattention while operating machines may result in serious personal injury.
- **Use personal protective equipment. Always wear eye protection.** Protective equipment such as dust mask, non-skid safety shoes, hard hat or hearing protection used for appropriate conditions will reduce personal injuries.
- **Prevent unintentional starting. Ensure the switch is in the OFF-position before connecting to a power source and/or battery pack, picking up or carrying the machine.** Carrying machines with your finger on the switch or energising machines that have the switch on invites accidents.
- **Remove any adjusting key or wrench before turning the machine on.** A wrench or a key left attached to a rotating part of the machine may result in personal injury.
- **Do not overreach. Keep proper footing and balance at all times.** This enables better control of the machine in unexpected situations.
- **Dress properly. Do not wear loose clothing or jewellery. Keep your hair and clothing away from moving parts.** Loose clothes, jewellery or long hair can be caught in moving parts.
- **If devices are provided for the connection of dust extraction and collection facilities, ensure these are connected and properly used.** Use of dust collection can reduce dust-related hazards.
- **Do not let familiarity gained from frequent use of machines allow you to become complacent and ignore machine safety principles.** A careless action can cause severe injury within a fraction of a second.
- **Keep cutting tools sharp and clean.** Properly maintained cutting machines with sharp cutting edges are less likely to bind and are easier to control.
- **Use the machine, accessories and bits etc. in accordance with these instructions, taking into account the working conditions and the work to be performed.** Use of the machine for operations different from those intended could result in a hazardous situation.
- **Keep handles and grasping surfaces dry, clean and free from oil and grease.** Slippery handles and grasping surfaces do not allow for safe handling and control of the machine in unexpected situations.

Battery machine use and care

- **Recharge only with the charger specified by the manufacturer.** A charger that is suitable for one type of battery pack may create a risk of fire when used with another battery pack.
- **Use machines only with specifically designated battery packs.** Use of any other battery packs may create a risk of injury and fire.
- **When battery pack is not in use, keep it away from other metal objects, like paper clips, coins, keys, nails, screws or other small metal objects, that can make a connection from one terminal to another.** Shorting the battery terminals together may cause burns or a fire.
- **Under abusive conditions, liquid may be ejected from the battery; avoid contact. If contact accidentally occurs, flush with water. If liquid contacts eyes, additionally seek medical help.** Liquid ejected from the battery may cause irritations or burns.
- **Do not use a battery pack or machine that is damaged or modified.** Damaged or modified batteries may exhibit unpredictable behaviour resulting in fire, explosion or risk of injury.
- **Do not expose a battery pack or machine to fire or excessive temperature.** Exposure to fire or

Machine use and care

- **Do not force the machine. Use the correct machine for your application.** The correct machine will do the job better and safer at the rate for which it was designed.

temperature above 130 °C / 265 °F may cause explosion.

- **Follow all charging instructions and do not charge the battery pack or machine outside the temperature range specified in the instructions.** Charging improperly or at temperatures outside the specified range may damage the battery and increase the risk of fire.

Service

- **Have your machine serviced by a qualified repair person using only identical replacement parts.** This will ensure that the safety of the machine is maintained.
- **Never service damaged battery packs.** Service of battery packs should only be performed by the manufacturer or authorized service providers.

Grass trimmer safety warnings

- **Do not use the machine in bad weather conditions, especially when there is a risk of lightning.** This decreases the risk of being struck by lightning.
- **Thoroughly inspect the area for wildlife where the machine is to be used.** Wildlife may be injured by the machine during operation.
- **Thoroughly inspect the area where the machine is to be used and remove all stones, sticks, wires, bones, and other foreign objects.** Thrown objects can cause personal injury.
- **Before using the machine, always visually inspect to see that the cutter or blade and the cutter or blade assembly are not damaged.** Damaged parts increase the risk of injury.
- **Follow instructions for changing accessories.** Improperly tightened blade securing nuts or bolts may either damage the blade or result in it becoming detached.
- **Wear eye, ear, head and hand protection.** Adequate protective equipment will reduce personal injury by flying debris or accidental contact with the cutters or lines.
- **While operating the machine, always wear non-slip protective footwear. Do not operate the machine when barefoot or wearing open sandals.** This reduces the chance of injury to the feet from contact with a moving cutters or lines.
- **While operating the machine, always wear long trousers.** Exposed skin increases the likelihood of injury from thrown objects.
- **Keep bystanders away while operating the machine.** Thrown debris can result in serious personal injury.
- **Always use two hands when operating the machine.** Holding the machine with both hands will avoid loss of control.
- **Hold the machine by the insulated gripping surfaces only, because the cutting line or blade may contact hidden wiring.** Cutting line or blades contacting a "live" wire may make exposed metal parts of

the machine "live" and could give the operator an electric shock.

- **Always keep proper footing and operate the machine only when standing on the ground.** Slippery or unstable surfaces may cause a loss of balance or control of the machine.
- **Do not operate the machine on excessively steep slopes.** This reduces the risk of loss of control, slipping and falling which may result in personal injury.
- **When working on slopes, always be sure of your footing, always work across the face of slopes, never up or down and exercise extreme caution when changing direction.** This reduces the risk of loss of control, slipping and falling which may result in personal injury.
- **Keep all parts of the body away from the cutter, line or blade when the machine is operating. Before you start the machine, make sure the cutter, line or blade is not contacting anything.** A moment of inattention while operating the machine may result in injury to yourself or others.
- **Do not operate the machine above waist height.** This helps prevent unintended cutter or blade contact and enables better control of the machine in unexpected situations.
- **When cutting brush or saplings that are under tension, be alert for spring back.** When the tension in the wood fibres is released, the brush or sapling may strike the operator and/or throw the machine out of control.
- **Use extreme caution when cutting brush and saplings.** The slender material may catch the blade and be whipped toward you or pull you off balance.
- **Maintain control of the machine and do not touch cutters, lines or blades and other hazardous moving parts while they are still in motion.** This reduces the risk of injury from moving parts.
- **Carry the machine with the machine switched off and away from your body.** Proper handling of the machine will reduce the likelihood of accidental contact with a moving cutter, line or blade.
- **Only use replacement cutters, lines, cutting heads and blades specified by the manufacturer.** Incorrect replacement parts may increase the risk of breakage and injury.
- **When clearing jammed material or servicing the machine, make sure the switch is off and the battery pack is removed.** Unexpected starting of the machine while clearing jammed material or servicing may result in serious personal injury.

Check before starting

- Always remove the battery to prevent the product being started by accident. Always remove the battery before any maintenance on the product.
- Before using the product and after any impact, check for signs of wear or damage and repair as necessary.

- Inspect the working area. Remove all loose objects, such as stones, broken glass, nails, steel wire, string etc. that could be thrown out or become wrapped around the cutter or cutter guard.
- Check the motor for dirt and cracks. Clean off grass and leaves from the motor using a brush. Gloves should be worn when necessary.
- Check that the trimmer head is completely attached to the trimmer.
- Check that the product is in perfect working order. Check that all nuts and screws are tight.
- Check that the trimmer head and cutting attachment guard are not damaged or cracked. Replace the trimmer head or cutting attachment guard if they have been exposed to impact or are cracked. Always use the recommended guard for the cutting attachment you are using. See chapter on Technical data.
- The product operator must ensure that no people or animals come closer than 15 meters while working. When several operators are working in the same area the safety distance should be at least 15 meters.
- Carry out an overall inspection of the product before use. See the maintenance schedule.
- National or local regulations may regulate the use. Comply to given regulations.
- Do not use the product if it is changed from its initial specification. Do not change a part of the product without approval from the manufacturer. Only use parts that are approved by the manufacturer. Injury or death is a possible result of incorrect maintenance.
- Do a check of the product before use. Refer to *Safety devices on the product on page 13* and *Product overview on page 8*. Do not use a product that is damaged or does not operate correctly. Do the safety checks, maintenance and service instructions described in this manual.
- Children should be supervised to ensure that they do not play with the product. Never allow children or other persons not trained in the use of the product and/or the battery to use or service it. Local laws may regulate the age of the user.
- Keep the product in a locked area to prevent access for children or persons that are not approved.
- Store the product out of reach of children.
- Under no circumstances may the design of the product be modified without the permission of the manufacturer. Always use original accessories. Non-authorized modifications and/or accessories can result in serious personal injury or the death of the operator and others.
- The declared vibration total value has been measured in accordance with standard test method and may be used for comparing the tool with another.
- The declared vibration total value may also be used in a preliminary assessment of exposure.
- The vibration emission during actual use of the power tool can from the declared total value depending on the ways in which the tool is used. Operators should identify safety measures to protect themselves that are based on an estimation of exposure in the actual conditions of use (taking account of all parts of the operating cycle such as the times when the tool is switched off and when it is running idle in addition to the trigger).

Always use common sense

It is not possible to cover every conceivable situation you can face. Always exercise care and use your common sense. Avoid all situations which you consider to be beyond your capability. If you still feel uncertain about operating procedures after reading these instructions, you should consult an expert before continuing.



WARNING: Never allow children to use or be in the vicinity of the machine. Since the machine is easy to start, children may be able to start it if they are not kept under full surveillance. This can mean a risk of serious personal injury. Therefore disconnect the battery when the machine is not under close supervision.

General safety instructions



WARNING: Read the warning instructions that follow before you use the product.

- Remove the battery to prevent the product from being started by accident.
- This product is a dangerous tool if you are not careful or if you use the product incorrectly. This product can cause serious injury or death to the operator or others.

Note: National or Local laws can regulate the use. Comply to given regulations.

Personal protective equipment



WARNING: Read the warning instructions that follow before you use the product.

- Always use approved personal protective equipment when you use the product. Personal protective equipment cannot fully prevent injury but it decreases the degree of injury if an accident does occur. Let your dealer help you select the correct equipment.
- Use approved hearing protection.

(Fig. 19)

- Use approved eye protection. If you use a visor, you must also use approved protective goggles. Approved protective goggles must comply with the ANSI Z87.1 standard in the USA or EN 166 in EU countries.

(Fig. 20)

- Use gloves when it is necessary, for example when you attach, examine or clean the cutting equipment.

(Fig. 21)

- Use protective boots with steel toe-cap and non-slip soles.

(Fig. 22)

- Use clothing made of a strong fabric. Always use heavy, long pants and long sleeves. Do not use loose clothing that can catch on twigs and branches. Do not use jewelry, short pants or sandals. Do not go with bare feet. Put your hair up safely above shoulder level.
- Keep first aid equipment near.

(Fig. 23)

Safety devices on the product



WARNING: Read the warning instructions that follow before you use the product.

In this section the product's safety features, its purpose and how checks and maintenance should be carried out to ensure that it operates correctly. See instructions under the heading *Introduction on page 8* to find where these parts are located on your product.

The life span of the product can be reduced and the risk of accidents can increase if product maintenance is not carried out correctly and if service and/or repairs are not carried out professionally. If you need further information please contact your nearest servicing dealer.



WARNING: Never use a product with damaged safety components. The product's safety equipment must be inspected and maintained as described in this section. If your product fails any of these checks, contact your service agent to get it repaired.



CAUTION: All servicing and repair work on the machine requires special training. This is especially true of the machine's safety equipment. If your machine fails any of the checks described below you must contact your service agent. When you buy any of our products we guarantee the availability of professional repairs and service. If the retailer who sells your machine is not a servicing dealer, ask him for the address of your nearest service agent.

To do a check of the keypad

1. Press and hold the start/stop button (A). (Fig. 24)
 - a) The product is on when the LED (B) is on.
 - b) The product is off when the LED (B) is off.
2. Refer to *Keypad on page 19* if the warning indicator (C) comes on or flashes.

To do a check of the power trigger lockout

The power trigger lockout prevents accidental start. When you push the power trigger lockout (A), it releases the power trigger (B). When you release the handle, the power trigger and the power trigger lockout move back to their initial positions.

(Fig. 25)

1. Make sure that the power trigger is locked when the power trigger lockout is in its initial position. (Fig. 26)
2. Push the power trigger and make sure that it moves back to its initial position when you release it. (Fig. 27)
3. Make sure that the power trigger and the power trigger lockout moves freely and that the return spring works correctly. (Fig. 28)
4. Start the product. Refer to *To start the product on page 17*.
5. Apply full power.
6. Release the power trigger and make sure that the cutting attachment stops fully.

To do a check of the cutting attachment guard



WARNING: Do not use a cutting attachment without an approved and correctly attached cutting attachment guard. Always use the recommended cutting attachment guard for the cutting attachment that you use, see *Technical data on page 20*. If an incorrect or faulty cutting attachment guard is attached, it can cause serious personal injury.

The cutting attachment guard stops objects that eject in the direction of the operator. The cutting attachment guard also prevents injuries that can occur if you touch the cutting attachment.

1. Stop the motor.
2. Do a visual check for damages, for example cracks.
3. Replace the cutting attachment guard if it is damaged.

Cutting equipment

Select correct cutting equipment and do maintenance on the cutting equipment to:

- Get maximum cutting performance.
- Increase lifetime of the cutting equipment.



WARNING: Only use cutting attachments with the guards we recommend! Refer to *Approved accessories on page 22*. Refer to the instructions for the cutting attachment to find the correct way to load the trimmer line and plastic blades.



WARNING: A damaged cutting attachment may increase the risk of accidents.



WARNING: Always stop the power before you do the work on the cutting attachment. This continues to rotate after you release the power trigger. Make sure that the cutting attachment has stopped fully and disconnect the battery from the product before you start the work on it.

Cutting attachment



WARNING: Always make sure the trimmer line is wound tightly and evenly around the drum to prevent harmful vibration.

(Fig. 29)

- Only use recommended cutting attachments.
- The length of the trimmer line is important. A longer trimmer line requires greater motor power than a shorter trimmer line of the same diameter.
- Make sure that the cutter on the cutting attachment guard is intact. This cuts the trimmer line to the correct length.
- Soak the trimmer line in water for a couple of days before use to increase the life length.

Battery safety



WARNING: Read the warning instructions that follow before you use the product.

- Only use the BLi series and 40-B series battery. For details, refer to *Technical data on page 20*. The battery is software encrypted.
- Use the BLi series and 40-B series battery that is rechargeable as a power supply for the related Husqvarna products only. To prevent injury, do not use the battery as a power supply for other devices.
- Risk of electrical shock. Do not connect the battery terminals to keys, coins, screws or other metal. This can cause a short circuit of the battery.
- Do not use non-rechargeable batteries.
- Do not put objects into the air slots of the battery.

- Keep the battery away from sunlight, heat or open flame. The battery can cause burns and/or chemical burns.
- Keep the battery away from rain and wet conditions.
- Keep the battery away from microwaves and high pressure.
- Do not try to disassemble or break the battery.
- If the battery leaks, do not let the liquid touch your body or eyes. If you have touched the liquid, clean the area with a large quantity of water and soap, and get medical aid. If you get liquid in your eyes, do not rub but flush with water for a minimum of 15 minutes and get medical aid.
- Use the battery in temperatures between -10 °C (14 °F) and 40 °C (114 °F).
- Do not clean the battery or the battery charger with water. Refer to *To clean the product, the battery and the battery charger on page 19*.
- Do not use a defective or damaged battery.
- Keep batteries in storage away from metal objects such as nails, screws or jewelry.
- Keep the battery away from children.

Battery charger safety



WARNING: Read the warning instructions that follow before you use the product.

- Risk of electrical shock or short circuit if the safety instructions are not obeyed.
- Do not use other battery chargers than the one supplied for your product. Only use QC80 and 40-C80 chargers when you charge BLi series and 40-B series replacement batteries.
- Do not try to disassemble the battery charger.
- Do not use a defective or damaged battery charger.
- Do not lift the battery charger by the power cord. To disconnect the battery charger from a mains socket, pull out the plug. Do not pull the power cord.
- Keep all cables and extension leads away from water, oil and sharp edges. Make sure that the cable is not caught between objects, for example, doors, fences or equivalent.
- Do not use the battery charger near flammable materials or materials that can cause corrosion. Make sure that the battery charger is not covered. Pull out the plug to the battery charger if there is smoke or fire.
- Only charge the battery indoors in a location with good airflow and away from sunlight. Do not charge the battery outdoors. Do not charge the battery in wet conditions.
- Only use the battery charger where the temperature is between 5 °C (41 °F) and 40 °C (104 °F). Use the charger in an environment which has a good airflow, dry and free from dust.

- Do not put objects into the cooling slots of the battery charger.
- Do not connect the battery charger terminals to metal objects as this can short circuit the battery charger.
- Use approved mains sockets that are not damaged. Make sure that the cord of the battery charger is not damaged. If extension cables are used, make sure that the extension cables are not damaged.
- Do not charge non-rechargeable batteries in the battery chargers.
- The operator must only do the maintenance and servicing shown in this operator's manual. Turn to your servicing dealer for maintenance and servicing of a larger extension.
- Do not clean the battery or the battery charger with water. Strong detergent can cause damage to the plastic.
- If you do not do maintenance, it decreases the life cycle of the product and increases the risk of accidents.
- Special training is necessary for all servicing and repair work, especially for the safety devices on the product. If not all checks in this operator's manual are approved after you have done maintenance, turn to your servicing dealer. We guarantee that there are professional repairs and servicing available for your product.
- Only use original spare parts.

Safety instructions for maintenance



WARNING: Read the warning instructions that follow before you do maintenance on the product.

- Remove the battery before you do maintenance, other checks or assemble the product.

Assembly

Introduction



WARNING: Read and understand the safety chapter before you assemble the product.

To attach the cutting attachment guard

1. Put the cutting attachment guard against the motor housing. (Fig. 30)
2. Do a check of the locking hooks. (Fig. 31)
3. Tighten the bolt. Use a combination wrench. (Fig. 32)
4. Tighten the bolt.

To change the cutting attachment

1. Put the combination wrench in the hole to lock the shaft. (Fig. 33)
2. Turn the cutting attachment and carefully push the combination wrench until the output shaft is blocked.
3. Turn the cutting attachment clockwise to remove it. Make sure that the drive disc is in place before you install the cutting attachment. (Fig. 34)
4. Install the new cutting attachment in the opposite order. (Fig. 35) (Fig. 36)

Note: Make sure that the disc drive is correctly installed before you install the cutting attachment.

To install the plant guard

1. Install the plant guard into the holes on the motor housing. (Fig. 37)

2. Make sure that the plant guard can move forward and rearward freely. (Fig. 38)

To assemble the loop handle

1. Install the screw into the loop handle. (Fig. 39)
2. Assemble the loop handle to the attachment on the shaft.
3. Tighten the screws.
4. Adjust the loop handle to a correct position. Refer to *To adjust the loop handle and telescopic shaft on page 17.*

To install the battery charger 40-C80 on the wall



CAUTION: Do not use an electric screwdriver to install the battery charger to the wall. An electric screwdriver can cause damage to the battery charger.

1. Install the battery charger on the wall with the 2 screws (A). Use wall plugs (B) if it is necessary. (Fig. 40)
2. Install the 2 screw hole plugs (C).
3. Connect the power cord (D) to the battery charger and a mains socket.

Operation

Introduction



WARNING: Read and understand the safety chapter before you use the product.

Before you operate the product

- Examine the work area to make sure that you know the type of terrain. Examine the slope of the ground and if there are obstacles such as stones, branches and ditches.
- Do a general inspection of the product.
- Do the safety inspections, maintenance and servicing that are given in this manual.
- Examine the motor for dirt or cracks. Use a brush to clean the motor from grass and leaves. Use gloves when it is necessary.
- Examine the trimmer head and cutting attachment guard for damages or cracks. Replace the trimmer head and cutting attachment guard if they are hit or if they have cracks.
- Make sure that all nuts and screws are tight.
- Make sure that all covers, guards, handles and the cutting equipment are correctly attached and not damaged before you start the product.

Battery



WARNING: Read and understand the safety chapter before you use the battery. Read and understand the operator's manual for the battery and the battery charger.

Keep the battery and the battery charger in the correct ambient temperatures.

	Ambient temperature
Operation of the product	-5 °C-40 °C / 23 °F-104 °F
Charging of the battery	5 °C-40 °C / 41 °F-104 °F

Battery status

The display shows the state of charge and if there are problems with the battery.

(Fig. 41)

LED indicator	Battery status (state of charge)	
	BLI10, BLI20	40-B70, 40-B140
4 LED lights are on	N/A	The battery is 76% - 100% charged.
3 LED lights are on	The battery is 76% - 100% charged.	The battery is 51% - 75% charged.
2 LED lights are on	The battery is 51% - 75% charged.	The battery is 26% - 50% charged.
1 LED light is on	The battery is 26% - 50% charged.	The battery is 6% - 25% charged.
1 LED light flashes	The battery is 0% - 25% charged.	The battery is 0% - 5% charged.

To charge the battery

Charge the battery if it is the first time that you use it. A new battery is only 30% charged.



CAUTION: Connect the battery charger to a power outlet with the voltage and frequency that is specified on the rating plate.

The battery does not charge if the battery temperature is more than 50 °C/122 °F.

1. Connect the power cord to the battery charger.

2. Connect the battery charger to a grounded power outlet. The charging LED flashes one time. (Fig. 42)
3. Connect the battery to the battery charger. The charging LED comes on. Charge the battery for maximum 24 hours. (Fig. 43)
4. Push the battery indicator button, if all the LED indicators come on, the battery is fully charged.
5. Pull the power plug to disconnect the battery charger from the power outlet. Do not pull the power cord.
6. Remove the battery from the battery charger.

To connect the battery to the product



WARNING: Only use the initial Husqvarna battery for the product.

1. Fully charge the battery.
2. Push the battery into the battery holder of the product. The battery locks into position when you hear a click. (Fig. 44)



CAUTION: If the battery does not move easily into the battery holder, the battery is not installed correctly. This can cause damage to the product.

To start the product

1. Push and hold the start/stop button until the green LED comes on. (Fig. 45)
2. Push the power trigger lockout and the power trigger. The cutting equipment starts to rotate.

To adjust the loop handle and telescopic shaft

1. Loosen the locking handle and adjust the loop handle to a correct position. (Fig. 46)
2. Close the locking handle.
3. Loosen the lever on the shaft. (Fig. 47)
4. Set the necessary length on the shaft. Make sure that you can see the triangle on the shaft. (Fig. 48)
5. Close the lever and tighten the screw.

Note: Do not attach the loop handle onto the Warning decals on the shaft.

To use the SavE function

This product has a power saving function, SavE.

Note: The SavE function does not decrease the cutting power of the product.

1. Push the SavE button on the keypad.
2. Make sure that the green LED comes on.
3. Push the SavE button again to disconnect the function. The green LED goes off. (Fig. 49)

Automatic shutdown function

The product has a shutdown function that stops the product if the product is not used. The green LED for start/stop indication goes off and the product stops after 180 seconds.

To operate the product

To cut the grass

1. Make sure that the plastic blades or trimmer line is parallel to the ground when you cut the grass. (Fig. 50)
2. Do not push the Tri-Cut or trimmer head to the ground. This can cause damage to the product.

Note: Low ambient temperature near 0° C can cause the blade or trimmer line to break.

3. Move the product from side to side when you cut grass. (Fig. 51)

Note: Do not use the product with a cutting attachment that is damaged. A cutting attachment that is damaged can cause unbalance that can damage the product.

To sweep the grass

The airflow from the rotating plastic blades or trimmer line can be used to remove cut grass from an area.

1. Hold the trimmer head, the plastic blades or the trimmer line parallel to the ground and above the ground.
2. Apply full speed.
3. Move the cutting attachment from side to side and sweep the grass.



WARNING: Clean the cutting attachment cover each time you assemble new plastic blades or trimmer line to prevent unbalance and vibrations in the handles. Also do a check of the other parts of the cutting attachment and clean it if necessary.

To trim close to objects

1. Pull down the plant guard. (Fig. 52)
2. Use the plant guard to avoid damage to other objects. (Fig. 53)

To stop the product

1. Release the power trigger and the power trigger lockout.
2. Push the start/stop button until the green LED goes off.
3. Push the release buttons on the battery and remove the battery from the product. (Fig. 54)

To replace the plastic blades or trimmer line

Refer to the last pages of this operator's manual.

Maintenance

Introduction



WARNING: Read and understand the safety chapter before you do maintenance on the product.

The following is a list of the maintenance steps that you must do on the product. Refer to *Product overview on page 8* for more information.

Maintenance schedule



WARNING: Remove the battery before you do maintenance.

Maintenance	Daily	Weekly	Monthly
Clean the external parts of the product with a dry cloth. Do not use water.	X		
Make sure that the start and stop button works correctly and is not damaged.	X		
Make sure that the power trigger and the power trigger lockout operate correctly from a safety point of view.	X		
Make sure that the handles are dry and clean.	X		
Make sure that the cutting attachment guard is not damaged. Replace the cutting attachment guard if it is damaged.	X		
Make sure that the handle or handlebar is not damaged and that it is attached correctly.	X		
Do a check of the telescopic shaft locking mechanism. Refer to <i>To do a check of the locking mechanism of the telescopic shaft on page 19</i> .	X		
Do a check of the battery charger and make sure that it operates correctly and it is not damaged.	X		
Make sure that the battery is not damaged.	X		
Make sure that the battery is charged.	X		
Make sure that the battery charger is not damaged.	X		
Make sure that the external screws and nuts are tight.		X	
Make sure that the battery release buttons on the battery operate correctly and lock the battery in the product.		X	
Do a check if there is grease in the trimmer head spool.		X	
Clean and do a check of the connections between the battery and the product.			X
Clean and do a check of the connection between the battery and the battery charger.			X

To examine the battery and the battery charger

1. Examine the battery for damages, for example cracks.

2. Examine the battery charger for damages, for example cracks.

3. Make sure that the connection cord of the battery charger is not damaged and that there are no cracks in it.

To clean the product, the battery and the battery charger

1. Clean the product with a dry cloth after use.
2. Clean the battery and battery charger with a dry cloth. Keep the battery guide tracks clean.
3. Make sure that the terminals on the battery and the battery charger are clean before the battery is put in the battery charger or the product.

To do a check and replace the Tri-Cut

1. Do a check of the Tri-Cut for damages and cracks.

2. Remove the Tri-Cut. Refer to "To remove the Tri-Cut on the last page of the Operator's manual."
3. Assemble the Tri-Cut. Refer to *To change the cutting attachment on page 15.*

To do a check of the locking mechanism of the telescopic shaft

1. Do a check of the of the locking mechanism of the telescopic shaft.
2. Adjust the torque force. (Fig. 55)

Troubleshooting

Keypad

LED screen	Possible faults	Possible solutions
The error LED flashes.	Overload	The cutting attachment cannot move freely. Release the cutting attachment.
	Temperature deviation	Let the product cool down.
The product does not start.	Push the power trigger and press the start button at the same time.	Release the power trigger and stop the product.
The error LED comes on with red light.	It is necessary to do servicing on the product	Speak to your service dealer.

Battery

LED display	Possible faults	Possible action
The green LED flashes.	Low battery voltage.	Charge the battery.
The error LED flashes.	Temperature deviation.	Use the battery in temperatures between -10°C (14°F) and 40°C (104°F).
	Too much voltage.	Make sure that the mains voltage aligns with the voltage stated on the rating plate of the product. Remove the battery from the battery charger.
The error LED is on.	Cell difference is too much (1V).	Speak to your servicing dealer.

Battery charger

Problem	Possible faults	Possible solution
The charging LED is red.	Permanent battery charger error.	Speak to your dealer.

Problem	Possible faults	Possible solution
The charging LED flashes green.	Temperature deviation, the battery is too cold or too hot to use or charge.	Let the battery cool down or warm it up. When the battery has the correct temperature, it can be used or charged again. Use the battery charger in ambient temperatures between 5 °C (41 °F) and 40 °C (104 °F).
The charging LED flashes red.	Faulty battery.	Speak to your dealer.

Transportation, storage and disposal

Transportation and storage

- The supplied Li-ion batteries obey the Dangerous Goods Legislation requirements.
- Obey the special requirement on package and labels for commercial transportation, including by third parties and forwarding agents.
- Speak to a person with special training in dangerous material before you send the product. Obey all applicable national regulations.
- Use tape on open contacts when you put the battery in a package. Put the battery in the package tightly to prevent movement.
- Remove the battery for storage or transportation.
- Put the battery and the battery charger in a space that is dry and free from moisture and frost.
- Do not keep the battery in an area where static electricity can occur. Do not keep the battery in a metal box.
- Put the battery in storage where the temperature is between 5°C/41°F and 25°C/77°F and away from open sunlight.
- Put the battery charger in storage where the temperature is between 5 °C/41 °F and 45°C/113°F and away from open sunlight.
- Use the battery charger only when the surrounding temperature is between 5°C/41°F and 40°C/104°F.

- Charge the battery 30% to 50% before you put it in storage for long periods.
- Put the battery charger in storage in a space that is closed and dry.
- Keep the battery away from the battery charger during storage. Do not let children and other not approved persons to touch the equipment. Keep the equipment in a space that you can lock.
- Clean the product and do a full servicing before you put the product in storage for a long time.
- Use the transportation guard on the product to prevent injuries or damage on the product during transportation and storage.
- Attach the product safely during transportation.

Disposal of the battery, battery charger and product

Symbols on the product or the package of the product means that the product is not domestic waste. Recycle it at a recycling station for electrical and electronic equipment. This helps to prevent damage to the environment and to persons.

Get in touch with your local authorities, domestic waste service or your dealer for more information about how to recycle your product.

Technical data

Technical data

	215iL-TC
Motor	
Motor type	BLDC
Speed of output shaft, rpm	6800
Cutting width, mm	255

	215iL-TC
Weight	
Weight without battery, kg	2.9
Noise emissions ¹	
Sound power level, measured dB (A)	90.8
Sound power level, guaranteed L _{WA} dB (A)	93
Noise levels ²	
Equivalent sound pressure level at the operator's ear, measured according to IEC 62841-4-4, dB (A)	81.3
Vibration levels ³	
Vibration levels at handles, measured according to IEC 62841-4-4, m/s ²	3.0 / 2.7
Equipped with trimmer head (original), front / rear.	

Approved batteries for the product

Battery	BLi10		BLi20		40-B70	40-B140
Type	Lithium-ion		Lithium-ion		Lithium-ion	Lithium-ion
Battery capacity, Ah	Refer to battery rating decal		Refer to battery rating decal		Refer to battery rating decal	Refer to battery rating decal
Nominal voltage, V	36	36.5	36	36.5	36	36
Weight, lb/kg	0.7	0.7	1.2	1.2	0.8	1.25

Approved battery chargers for the product

Battery charger	QC80	40-C80
Mains voltage, V	100-240	100-240
Frequency, Hz	50-60	50-60
Power, W	100	72
Output Voltage, V d.c./ Amps, A	36/2	43/1.6

¹ Noise emissions in the environment measured as sound power (L_{WA}) in conformity with EC directive 2000/14/EC. The difference between guaranteed and measured sound power is that guaranteed sound power also includes dispersion in the measurement result and the variations between different products of the same model refer to Directive 2000/14/EC.

² Reported data for equivalent sound pressure level for the product has a typical statistical dispersion (standard deviation) of 3 dB (A).

³ Reported data for vibration level has a typical statistical dispersion (standard deviation) of 1.5 m/s².

Accessories

Approved accessories

Approved accessories	Type	Cutting attachment guard, Art. no.
Trimmer head	R25B (Ø 2 mm cord)	529 96 69-01
Trimmer head	Tri-Cut B (255 mm)	529 96 69-01

Declaration of Conformity

EU Declaration of Conformity

We, **Husqvarna AB**, SE-561 82 Huskvarna, Sweden, tel: +46-36-146500, declare on our sole responsibility that the product:

Description	Battery grass trimmer
Brand	Husqvarna
Type / Model	215iL-TC
Identification	Serial numbers dating from 2025 and onwards

complies fully with the following EU directives and regulations:

Directive/ Regulation	Description
2006/42/EC	"relating to machinery"
2014/30/EU	"relating to electromagnetic compability"
2000/14/EC	"relating to the noise emissions in the environment"
2011/65/EU	"on the restriction of the use of certain hazardous substances in electrical and electronic equipment "

and that the following standards and/or technical specifications are applied: EN 62841-1:2015+A11:2022, IEC 62841-4-4:2020, EN ISO 12100:2010, EN IEC 63000:2018, EN IEC 55014-1:2021; EN IEC 55014-2:2021.

Notified body: 0036 TÜV SÜD Industrie Service GmbH, Westendstraße199,80686 München,Germany has certified conformity with the council's directive 2000/14/EC, conformity assessment procedure: Annex VI.

For information relating to noise emission, refer to *Technical data on page 20*.

Huskvarna, 2025-01-10



Claes Losdal, R&D Manager, Husqvarna AB
Responsible for technical documentation



UK Declaration of Conformity

We, **Husqvarna AB**, SE-561 82 Huskvarna, Sweden, tel: +46-36-146500, declare on our sole responsibility that the product:

Description	Battery grass trimmer
Brand	Husqvarna
Type / Model	215iL-TC
Identification	Serial numbers dating from 2025 and onwards

complies fully with the following UK regulations:

Description
The Supply of Machinery (Safety) Regulations 2008
Electromagnetic Compatibility Regulations 2016
The Noise Emission in the Environment by Equipment for use Outdoors Regulations 2001
The Restriction of the Use of Certain Hazardous Substances in Electrical and Electronic Equipment Regulations 2012

and that the following standards and/or technical specifications are applied: EN 62841-1:2015+A11:2022, IEC 62841-4-4:2020, EN ISO 12100:2010, EN IEC 63000:2018, EN IEC 55014-1:2021, EN IEC 55014-2:2021.

UK Importer:
Husqvarna UK Ltd
Preston Road, Co. Durham
DL5 6UP

Notified body: 0036 TÜV SÜD Industrie Service GmbH, Westendstraße 199, 80686 München, Germany has certified conformity with the council's directive 2000/14/EC, conformity assessment procedure: Annex VI.

For information relating to noise emissions, refer to *Technical data on page 20*.

Huskvarna, 2025-01-10



Claes Losdal, R&D Manager, Husqvarna AB
Responsible for technical documentation



Съдържание

Въведение.....	25	Транспортиране, съхранение и изхвърляне.....	39
Безопасност.....	26	Технически данни.....	40
Монтаж.....	34	Принадлежности.....	41
Операция.....	34	Декларация за съответствие.....	43
Поддръжка.....	37	Приложение	478
Отстраняване на проблеми.....	38		

Въведение

Описание на продукта

Husqvarna 215iL-TC е акумулаторна косачка с електрически мотор.

Ние работим постоянно, за да подобряваме Вашата безопасност и ефективност по време на работа. Свържете се с дистрибутор по обслужването за повече информация.

Предназначение

Продуктът се използва с неметални пластмасови ножове. Не използвайте продукта за други задачи

Общ преглед на продукта

(Фиг. 1)

1. Тримерна глава Tri-Cut
2. Предпазител на режещо оборудване
3. Двусекционен вал
4. Регулиране на двусекционния вал (телескопичен)
5. Примкова ръкохватка
6. Клавишно поле
7. Предупредителен индикатор на клавишното поле
8. Бутон за стартиране/спиране
9. Бутон SavE
10. Захранващ спусък
11. Блокировка на захранващия спусък
12. Индикатор за включено състояние и предупредителен индикатор
13. Конектор
14. Зарядно устройство за акумулаторни батерии 40-S80
15. Предпазител за растения
16. Предупредителен индикатор на акумулаторната батерия
17. Състояние на акумулаторната батерия
18. Бутон за индикатора на акумулаторната батерия
19. Бутона за освобождаване на акумулаторната батерия
20. Акумулаторна батерия
21. Комбиниран инструмент
22. Задвижващ диск
23. Ръководство за оператора

освен за косене на плевели, трева или подобна мека растителност.

Забележка: Националните регламенти могат да поставят ограничения за работата с продукта.

Използвайте продукта само с принадлежностите, които са одобрени от производителя. Направете справка с *Принадлежности на страница 41*.

Символи върху продукта

- (Фиг. 2) **ПРЕДУПРЕЖДЕНИЕ:** този продукт може да бъде опасен и да причини сериозно нараняване или смърт на оператора или други хора. Внимавайте и използвайте продукта правилно.
- (Фиг. 3) Прочетете внимателно ръководството за оператора и се уверете, че разбирате инструкциите, преди да използвате машината.
- (Фиг. 4) Използвайте защита за очите и ушите.
- (Фиг. 5) Не излагайте на дъжд.
- (Фиг. 6) Етикетът за шумовите емисии за околната среда съгласно директивите и регламентите на ЕС (включително и законодателството на Нов Южен Уелс) и тези на Обединеното кралство. Данните за шумови емисии могат да бъдат намерени на етикета на машината и в главата "Технически характеристики". Приложимо само когато продуктът е оборудван с тримерна корда.
- (Фиг. 7) Пазете се от изхвърлени предмети.

(Фиг. 8) Разкачете акумулаторната батерия преди техническо обслужване.

(Фиг. 9) Продуктът или опаковката на продукта не е битов отпадък. Рециклирайте го в станция за рециклиране за електрическо и електронно оборудване.

(Фиг. 16) Разстоянието между машината и страничните лица трябва да бъде най-малко 15 m (50 ft).

(Фиг. 17) Не използвайте метални остриета.

птггсхххххх
На табелката с данни или с лазерен печат е изписан серийният номер. уууу е годината на производство, а ww – седмицата на производство.

Символи върху акумулатора и/или зарядното устройство

(Фиг. 18) Рециклирайте този продукт в пункт за рециклиране за електрическо и електронно оборудване. (Валидно само за Европа)

(Фиг. 13) Устойчив на неизправности трансформатор.

(Фиг. 14) Използвайте и дръжте зарядното устройство на акумулатора единствено на закрито.

(Фиг. 10) Продуктът е в съответствие с приложимите директиви на ЕС.

(Фиг. 11) Продуктът съответства на приложимите регламенти на Обединеното кралство.

(Фиг. 12) Прав ток.

(Фиг. 15) Двойна изолация.

Повреда на продукта

Ние не носим отговорност за повреди по нашия продукт, ако:

- продуктът е неправилно ремонтиран.
- продуктът е ремонтиран с части, които не са от производителя или не са одобрени от производителя.
- продуктът има принадлежност, която не е от производителя или не е одобрена от производителя.
- продуктът не е ремонтиран в одобрен сервизен център или от одобрен орган.

Безопасност

Дефиниции за безопасност

Предупреждения, знаци за внимание и бележки се използват за указване на особено важни части на инструкцията.



ПРЕДУПРЕЖДЕНИЕ: Използва се, ако има опасност от нараняване или смърт за оператора или за околните, ако не се спазват инструкциите в ръководството.



ВНИМАНИЕ: Използва се, ако има опасност от повреждане на машината, други материали или съседната зона, ако не се спазват инструкциите в ръководството.

Забележка: Използва се за предоставяне на повече информация, която е необходима в дадена ситуация.

Общи предупреждения за безопасност на машината



ПРЕДУПРЕЖДЕНИЕ: Прочетете всички предупреждения за безопасност, инструкции, илюстрации и технически характеристики, предоставени с тази машина. Неспазването на всички инструкции, изброени по-долу, може да доведе до токов удар, пожар и/или тежко нараняване.

Зпазете всички предупреждения и инструкции за бъдеща справка.

Забележка: Терминът „машина“ в предупрежденията се отнася за Вашата машина, захранвана от електрозахранващата мрежа (с кабел), или такава, захранвана от акумулаторна батерия (безжична).

Безопасност на работната площ

- **Поддържайте работната област чиста и добре осветена.** Безпорядък или тъмни площи могат да доведат до злополуки.
- **Не работете с машината в експлозивни среди, като например в присъствието на запалими течности, газове или прах.** Машините произвеждат искри, които може да предизвикат запалване на прах или димни газове.
- **Когато използвате машина, дръжте децата и страничните наблюдатели на разстояние.** Отклоняване на вниманието може да доведе до загуба на контрол.

Електрическа безопасност

- **Щепселите на машината трябва да съответстват на контакта. Никога не променяйте щепсела по какъвто и да било начин. Не използвайте никакви адаптерни щепсели със заземени машини.** Немодифицираните щепсели и съответстващите им изходи ще намалят риска от електрически удар.
- **Избягвайте контакт на тялото със заземени повърхности, като например тръби, радиатори и хладилници.** Има повишен риск от електрически удар, ако Вашето тяло е заземено или замасено.
- **Не излагайте машините на дъжд или влага.** Навлизането на вода в машината ще повиши риска от електрически удар.
- **Не насилвайте шнура. Никога не използвайте шнура за носене, дърпане или изключване на машината от контакта. Дръжте шнура далеч от топлинни източници, масло, остри ръбове или движещи се части.** Повредените или оплетени шнурове повишават риска от електрически удар.
- **Когато работите с машината навън, използвайте удължителен шнур, който е подходящ за употреба на открито.** Използването на шнур, който е подходящ за употреба на открито, намалява риска от електрически удар.
- **Ако работата с машината на влажно място е неизбежна, използвайте захранване с дефектнокова защита (RCD).** Използването на RCD намалява риска от електрически удар.

Лична безопасност

- **Бъдете нащрек, внимавайте какво правите и бъдете разсъдливи, когато работите с машина. Не използвайте машина, когато сте изморени или когато сте под влиянието на наркотици, алкохол или лекарства.** Един миг невнимание по време на работа с машините може да доведе до сериозна телесна повреда.
- **Използвайте лични предпазни средства. Винаги носете защита на очите.** Предпазните средства, като респираторна маска, непързалици се предпазни обувки, твърда каска или защита на слуха, използвани за съответните условия, ще намалят телесните повреди.

- **Не допускайте нежелано стартиране. Уверете се, че превключателят е в изключено положение, преди да свържете машината към източник на захранване и/или акумулаторна батерия, преди да я повдигате или пренасяте.** Носенето на машини с поставен пръст на превключателя или включването в мрежата на машини с превключател във включено положение може да доведе до злополуки.
- **Отстранете всички ключове за настройка или гаечни ключове, преди да включите машината.** Гаечен ключ или ключ, който е оставен закрепен към въртяща се част на машината, може да доведе до телесна повреда.
- **Не се протайгайте прекалено далеч. Поддържайте стабилна стойка и баланс през цялото време.** Това прави възможен по-добър контрол над машината в непредвидени ситуации.
- **Облечайте се подходящо. Никога не носете широки дрехи или бижута. Дръжте косата и дрехите си далеч от движещите се части.** Широки дрехи, бижута или дълга коса могат да бъдат захванати от движещите се части.
- **Ако са предоставени устройства за свързване на съдове за изсмукване на прах и съдове за събиране, се уверете, че те са свързани и се използват правилно.** Използването на съдове за събиране на прах може да намали опасностите, свързани с праха.
- **Не позволявайте опитът, придобит от честата употреба на машини, да Ви позволи да станете небрежни и да игнорирате принципите за безопасност при работа с машини.** Небрежното действие може за части от секундата да причини сериозно нараняване.

Употреба и поддръжка на машината

- **Не упражнявайте силови въздействия върху машината. Използвайте правилната машина за Вашето приложение.** С подходящата машина ще работите най-добре и безопасно, когато го използвате за целта, за която е предназначен от производителя.
- **Не използвайте машината, ако превключателят не я включва и изключва.** Всяка машина, която не може да се управлява с превключателя, е опасна и трябва да се ремонтира.
- **Разкачете щепсела от електрическия източник и/или премахнете акумулаторната батерия от машината, ако може да се отстрани, преди да правите каквито и да било настройки, да сменят принадлежности или да съхранявате машини.** Тези превантивни мерки за безопасност предотвратяват риска машината да бъде включена по невнимание.
- **Съхранявайте неизползваните машини извън досега на деца и не разрешавайте на лица, които не са запознати с машините или с тези инструкции, да работят с тях.** Машините са опасни в ръцете на необучени потребители.

- **Поддържайте машините и принадлежностите.** Проверявайте за неправилно поставяне или застъпване на движещи се части, счупени части или друго състояние, което може да се отрази на работата на машината. Ако машината се повреди, я дайте за ремонт, преди да я използвате. Множество инциденти се причиняват от недостатъчно добре поддържани машини.
- **Поддържайте режещите инструменти остри и чисти.** Правилно поддържаните режещи машини с остри режещи ръбове са по-трудни за огъване и се управляват по-лесно.
- **Използвайте машината, принадлежностите, приставките и т.н. съгласно тези инструкции, като имате предвид условията и естеството на работата, която извършвате.** Използването на машината за операции, различни от тези, за които е предназначена, може да доведе до опасна ситуация.
- **Поддържайте ръкохватките и повърхностите за хващане сухи, чисти и без масло и грес.** Хлъзгавите ръкохватки и повърхности за хващане не позволяват безопасно обслужване и управление на машината в неочаквани ситуации.

Употреба и грижа за машината с акумулаторна батерия

- **Презареждайте само със зарядно устройство, определено от производителя.** Зарядно устройство, което е подходящо за един вид акумулаторна батерия, може да създаде опасност от злополука, когато се използва с друга акумулаторна батерия.
- **Използвайте машините само с предназначените за тях акумулаторни батерии.** Използването на други акумулаторни батерии може да създаде риск от нараняване и пожар.
- **Когато акумулаторната батерия не е в употреба, я дръжте далеч от други метални предмети, като кламери, монети, ключове, пирони, винтове или други малки предмети, които могат да образуват връзка между едната клема и другата.** Окъсяване на изводите на акумулаторната батерия може да предизвика изгаряния или пожар.
- **При злоупотреба от акумулаторната батерия може да бъде изхвърлена течност – избягвайте допир.** При възникване на случаен контакт изплакнете с вода. Ако течността попадне в очите, потърсете допълнителна медицинска помощ. Течност, изхвърлена от акумулаторната батерия, може да причини раздразнения или изгаряния.
- **Не използвайте акумулаторна батерия или машина, която е повредена или модифицирана.** Повредените или модифицирани акумулаторни батерии могат да имат непредсказуемо поведение, което да доведе до пожар, експлозия или опасност от нараняване.
- **Не излагайте акумулаторна батерия или машина на огън или прекомерна температура.** Излагането

на огън или температура над 130°C/265°F може да предизвика експлозия.

- **Следвайте всички инструкции за зареждане и никога не зареждайте акумулаторната батерия или машината извън температурния диапазон, посочен в инструкциите.** Неправилното зареждане или зареждането при температури извън посочения диапазон може да повреди акумулаторната батерия и да увеличи риска от пожар.

Обслужване

- **Машината трябва да се обслужва само от квалифицирано лице по ремонтите и само с идентични резервни части.** Така се гарантира, че ще се запази безопасността на машината.
- **Никога не обслужвайте повредени акумулаторни батерии.** Обслужването на акумулаторни батерии трябва да се извършва само от производителя или оторизирани сервизни доставчици.

Предупреждения за безопасност при работа с тримери за трева

- **Не използвайте машината при лоши метеорологични условия, особено когато има риск от мълнии.** Това намалява риска да бъдете ударени от мълния.
- **Внимателно проверете площта, където ще се използва машината, за диви животни.** По време на работа машината може да нарани дивите животни.
- **Проверете внимателно площта, където ще се използва машината, и отстранете всички камъни, пръчки, проводници, кости и други чужди предмети.** Изхвърлените предмети могат да причинят телесна повреда.
- **Преди да използвате машината, винаги проверявайте визуално, за да видите дали резачката или резецът, както и модулетът на резеца или резачката, не е повреден.** Повредените части увеличават риска от нараняване.
- **Следвайте инструкциите за смяна на принадлежности.** Неправилно затегнати закрепващи гайки или болтове на резеца може или да повредят резеца, или да доведат до отделянето му.
- **Носете защитни средства за очите, ушите, главата и ръцете.** Адекватното защитно оборудване ще намали телесната повреда от летящи късове или случаен контакт с резачките или кордите.
- **По време на работа с машината винаги носете неплъзгащи се защитни обувки. Не работете с машината, когато сте боси или носите отворени сандали.** Това намалява вероятността от нараняване на краката при контакт с движещи се резачки или корди.

- **Когато работите с машината, винаги носете дълги панталони.** Съществува вероятност откритите части на кожата да бъдат наранени от изхвърлени предмети.
- **Дръжте страничните лица далеч, докато работите с машината.** Изхвърлените късове могат да доведат до сериозна телесна повреда.
- **Работата с машината трябва винаги да се извършва с две ръце.** Дръжте машината с две ръце, за да избегнете загубата на контрол.
- **Дръжте машината само за изолираните повърхности за хващане, защото кордата или режещът може да влязат в контакт със скрити кабели.** При контакт на кордата или резците с проводник под напрежение металните части на машината може да попаднат под напрежение и операторът да бъде изложен на токов удар.
- **Винаги поддържайте стабилна стойка и работете с машината само когато стоите на земята.** Работата върху хлъзгави или нестабилни повърхности може да стане причина за загуба на равновесие или загуба на контрол на машината.
- **Не работете с машината по прекалено стръмни наклони.** Това намалява риска от загуба на контрол, подхлъзване и падане, което може да доведе до телесна повреда.
- **Когато работите по наклони, винаги се уверявайте, че сте стъпили добре, винаги работете напречно на наклоните, никога нагоре или надолу, и бъдете изключително внимателни при смяна на посоката.** Това намалява риска от загуба на контрол, подхлъзване и падане, което може да доведе до телесна повреда.
- **Дръжте всички части на тялото далеч от резачката, кордата или резеца, когато машината работи.** Преди да стартирате машината, се уверете, че резачката, кордата или режещът не влиза в контакт с нищо. Момент на невнимание по време на работа с машината може да доведе до нараняване на Вас или на други лица около Вас.
- **Не работете с машината над височината на талията.** Това помага за предотвратяването на нежелан контакт с резачката или резеца и позволява по-добър контрол на машината в неочаквани ситуации.
- **Когато режете храсти или фиданки, които са натегнати, бъдете нащрек за откат.** Когато натягането в дървесните влакна се освободи, храстът или фиданката може да удари оператора и/или да изхвърли машината извън Вашия контрол.
- **Бъдете изключително внимателни, когато режете храсти и фиданки.** Тънкият материал може да се захване в резеца и да отскочи напред към Вас или да Ви извади от равновесие.
- **Поддържайте контрол върху машината и не докосвайте резачките, кордите или резците и други опасни движещи се части, докато те**

все още се движат. Това намалява риска от нараняване от движещи се части.

- **Носете машината в изключено състояние и далеч от тялото.** Правилното боравене с машината ще намали вероятността от случаен контакт с движеща се резачка, корда или резец.
- **Използвайте само резервни резачки, корди, режещи глави и резци, посочени от производителя.** Неправилните резервни части може да увеличат риска от счупване и нараняване.
- **Когато почиствате заседнал материал или обслужвате машината, се уверете, че преключвателят е изключен и акумулаторната батерия е отстранена.** Неочакваното стартиране на машината при почистване на заседнал материал или обслужване може да доведе до сериозна телесна повреда.

Проверка преди стартиране

- Винаги отстранявайте акумулаторната батерия, за да предотвратите случайното стартиране на продукта. Винаги отстранявайте акумулаторната батерия, преди да извършвате каквото и да било техническо обслужване на продукта.
- Преди да използвате продукта и след всеки удар, проверете за признаци на износване или повреда и ремонтирайте според необходимостта.
- Проверете работната площ. Отстранете всякакви търкалящи се предмети, като например камъни, счупени стъкла, гвоздеи, стоманени въжета, жици и други, които могат да бъдат подхвърлени или да се омотаят около резеца или предпазителя на резеца.
- Проверете двигателя за мръсотия и пукнатини. Почистете тревата и листата от двигателя, като използвате четка. Трябва да носите ръкавици, когато е необходимо.
- Проверете дали тримерната глава е напълно закрепена към тримера.
- Проверете дали продуктът е в отлично работно състояние. Проверете дали всички гайки и винтове са затегнати.
- Проверете дали тримерната глава и предпазителят на режещата приставка не са повредени или напукани. Сменете тримерната глава или предпазителя на режещата приставка, ако е бил подложен на удари или по него са се появили пукнатини. Винаги използвайте препоръчания предпазител за конкретната режеща приставка. Вижте глава Технически характеристики.
- Операторът на продукта трябва да се увери, че по време на работа в радиус от 15 метра няма хора или животни. Когато няколко оператора работят на една и съща площ, трябва да се спазва безопасно разстояние от поне 15 метра.
- Извършете цялостна проверка на продукта преди употреба. Вижте разписанието за техническо обслужване.

- Възможно е използването на продукта да се регулира от националните или местните регламенти. Спазвайте предоставените регламенти.

Винаги се осланяйте на здравия си разум

Невинаги може да се предвиди всяка възможна ситуация, с която може да се сблъскате. Винаги работете с повишено внимание и се осланяйте на здравия си разум. Избягвайте всички ситуации, в които имате съмнения, че няма да можете да се справите. Ако все още се чувствате несигурни за работните процедури след прочитането на тези инструкции, трябва да се консултирате с експерт, преди да продължите работа.



ПРЕДУПРЕЖДЕНИЕ: Никога не позволявайте на деца да използват машината или да бъдат в близост до нея. Тъй като машината се стартира лесно, децата биха могли да я включат, ако не са под постоянен надзор. Това може да означава риск от сериозна телесна повреда. Поради това изваждайте батерията, когато машината не е под пряко наблюдение.

Общи инструкции за безопасност



ПРЕДУПРЕЖДЕНИЕ: Прочетете следващите предупредителни инструкции, преди да използвате продукта.

- Отстранявайте акумулаторната батерия, за да предотвратите случайното включване на продукта.
- Този продукт е опасен инструмент, ако не сте внимателни или ако го използвате неправилно. Този продукт може да причини сериозно нараняване или смърт на оператора и други хора.
- Не използвайте продукта, ако е променен спрямо първоначалните му спецификации. Не сменяйте някоя част на продукта без одобрение от производителя. Използвайте само части, които са одобрени от производителя. Неправилното техническо обслужване е възможно да доведе до нараняване или смърт.
- Извършете проверка на продукта преди употреба. Направете справка с *Устройства за безопасност на продукта на страница 31* и *Общ преглед на продукта на страница 25*. Не използвайте продукт, който е повреден или не работи правилно. Извършете описаните в това ръководство проверки за безопасност, както и инструкциите за техническо обслужване и сервиз.
- Децата трябва да се надзирават, за да се гарантира, че няма да си играят с продукта. Никога не позволявайте на деца или други лица,

които не са обучени да използват продукта и/или акумулаторната батерия, да я използват или обслужват. Възрастта на оператора може да е установена от местните закони.

- Съхранявайте продукта в площ под ключ, за да предотвратите достъпа до него от страна на деца или лица, които не са упълномощени да го използват.
- Съхранявайте продукта на място, недостъпно за деца.
- При никакви обстоятелства не бива да се нанасят модификации в първоначалната конструкция на продукта без разрешение от производителя. Винаги използвайте оригинални принадлежности. Неоторизирани изменения и/или принадлежности могат да предизвикат сериозна телесна повреда или смърт на оператора и други лица.
- Обявената обща стойност на вибрациите е измерена в съответствие със стандартизиран метод на тестване и може да се използва за сравняване на инструмента с друг.
- Обявената обща стойност на вибрациите може също да се използва в предварителна оценка на излагането.
- Вибрационните емисии по време на действителна употреба на електрически инструмент може да се различават от обявената обща стойност в зависимост от начините на използване на инструмента. Операторите трябва да установят мерки за безопасност, за да се предпазват. Те трябва да са базирани на изчислението на излагане в действителните условия на употреба (като се вземат предвид всички елементи на работния цикъл, като например времето, когато инструментът е изключен, както и кога работи на празен ход, в допълнение на времето при натиснат спусък).

Забележка: Възможно е използването на продукта да се регулира от национални или местни разпоредби. Спазвайте предоставените регламенти.

Лични предпазни средства



ПРЕДУПРЕЖДЕНИЕ: Прочетете следващите предупредителни указания, преди да използвате продукта.

- При работа с продукта винаги използвайте одобрени лични предпазни средства. Личните предпазни средства не изключват изцяло риска от нараняване, но намаляват степента на нараняването при злополука. Нека Вашият дистрибутор Ви помогне да изберете правилното оборудване.
 - Използвайте одобрени антифони.
- (Фиг. 19)
- Използвайте одобрени защитни средства за очите. Ако използвате маска, използвайте също

и одобрени защитни очила. Одобрените защитни очила трябва да отговарят на стандарт ANSI Z87.1 за САЩ или EN 166 за страните от ЕС.

(Фиг. 20)

- Когато е необходимо, носете ръкавици, например когато закрепвате, проверявате или почиствате режещото оборудване.

(Фиг. 21)

- Носете защитни ботуши със стоманени бомбета и противоплъзгащи подметки.

(Фиг. 22)

- Използвайте дрехи, направени от здрава тъкан. Винаги използвайте здрави, дълги панталони и дълги ръкави. Не носете използвайте дрехи, които могат да се захванат за храсти и клони. Не носете бижута, къси панталони или сандали. Не ходете боси. Носете косата си безопасно над нивото на рамената.
- Дръжте наблизко комплект за първа помощ.

(Фиг. 23)

Устройства за безопасност на продукта



ПРЕДУПРЕЖДЕНИЕ: Прочетете следващите предупредителни инструкции, преди да използвате продукта.

В този раздел се описва предпазното оборудване на продукта, неговото предназначение и как трябва да се извършват проверки и техническо обслужване, за да се гарантира правилната работа. Вижте инструкциите под заглавието, *Въведение на страница 25* за да разберете къде са разположени тези части по продукта Ви.

Срокът на експлоатация на продукта може да се намали, а рискът от злополуки да се повиши, ако не се извършва правилно техническо обслужване на продукта и сервисното обслужване и/или ремонтите не се извършват професионално. Ако Ви е необходима допълнителна информация, моля, свържете се със сервисния дилър, разположен най-близо до Вас.



ПРЕДУПРЕЖДЕНИЕ: Никога не използвайте продукт с повредени обезопасителни компоненти. Предпазното оборудване на продукта трябва да бъде прегледано и технически обслужвано, както е описано в този раздел. Ако продуктът Ви не премине успешно някоя от тези проверки, се свържете със сервиса си за извършване на ремонт.



ВНИМАНИЕ: Всяко извършване на сервисно обслужване и ремонт на машината изисква специално обучение. Това важи в особена степен за предпазните средства на машината. Обърнете към сервиса си, ако машината не отговаря на описаните по-долу проверки. При покупката на наш продукт ние гарантираме предоставянето на професионални ремонтни услуги и сервис. Ако търговецът, от когото сте закупили машината, не е сервисен дилър, попитайте за адреса на най-близкия сервис.

За проверка на клавиатурата

1. Натиснете и задръжте бутона за стартиране/спиране (А). (Фиг. 24)
 - а) Продуктът е включен, когато светодиодът (В) свети.
 - б) Продуктът е изключен, когато светодиодът (В) не свети.
2. Вижте *Клавиатура на страница 38*, ако индикаторът за предупреждение (С) светне или примигва.

За проверка на блокировката на захранващия спусък

Блокировката на захранващия спусък предотвратява случайно стартиране. Когато натиснете блокировката на захранващия спусък (А), тя освобождава захранващия спусък (В). Когато освободите ръкохватката, захранващият спусък и блокировката на захранващия спусък се връщат в изходното си положение. (Фиг. 25)

1. Уверете се, че захранващият спусък е заключен, когато блокировката на захранващия спусък е в изходното си положение. (Фиг. 26)
2. Натиснете захранващия спусък и се уверете, че се връща в първоначалното си положение, когато го освободите. (Фиг. 27)
3. Уверете се, че захранващият спусък и блокировката на захранващия спусък се движат свободно и че възвратната пружина работи правилно. (Фиг. 28)
4. Стартирайте продукта. Вижте *За стартиране на продукта на страница 36*.
5. Приложете пълна мощност.
6. Освободете захранващия спусък и се уверете, че режещото оборудване напълно спира.

За проверка на смазването на режещото оборудване



ПРЕДУПРЕЖДЕНИЕ: Не използвайте режещо оборудване без одобрен и правилно поставен

предпазител на режещото оборудване. Винаги използвайте предпазителя за режещо оборудване, препоръчана за режещото оборудване, което използвате, вижте *Технически данни на страница 40*. Използването на неподходящ или неизправен предпазител на режещото оборудване може да доведе до сериозна телесна повреда.

Режеща приставка



ПРЕДУПРЕЖДЕНИЕ: Винаги се уверявайте, че тримерната корда е навита плътно и равномерно около барабана, за да се предотврати вредна вибрация.

(Фиг. 29)

- Използвайте само препоръчаното режещо оборудване.
- Дължината на кордата на тримера е важна. По-дългата тримерна корда изисква по-голяма мощност на двигателя, отколкото по-късата тримерна корда със същия диаметър.
- Уверете се, че резецът на предпазителя на режещото оборудване не е повреден. Това реже тримерната корда до правилната дължина.
- Накиснете тримерната корда във вода за няколко дни преди употреба, за да увеличите продължителността на работния ресурс.

Безопасност на акумулаторната батерия



ПРЕДУПРЕЖДЕНИЕ: Прочетете следващите предупредителни инструкции, преди да използвате продукта.

- Използвайте само акумулаторна батерия от серия BLi и серия 40-B. За подробности направете справка с *Технически данни на страница 40*. Акумулаторната батерия е шифрована софтуерно.
- Използвайте само акумулаторна батерия от серия BLi и серия 40-B, която е презареждаема, като източник на хранване само за свързаните продукти Husqvarna. За да предотвратите нараняване, не използвайте акумулаторната батерия като източник на хранване за други устройства.
- Опасност от електрически удар. Не свързвайте клемите на акумулаторната батерия с ключове, монети, винтове или други метални предмети. Това може да причини късо съединение на акумулаторната батерия.
- Не използвайте непрезареждаеми акумулаторни батерии.
- Не поставяйте предмети във въздушните отвори на акумулаторната батерия.
- Съхранявайте акумулаторната батерия далеч от слънчева светлина, топлина или открит огън. Акумулаторната батерия може да причини изгаряния и/или химически изгаряния.
- Съхранявайте акумулаторната батерия далеч от дъжд или влага.

Предпазителят на режещото оборудване предотвратява изхвърляне на предмети по посока на оператора. Предпазителят на режещото оборудване също така предпазва от наранявания, които биха възникнали при докосване на режещото оборудване.

1. Спрете двигателя.
2. За извършване на визуална проверка например пукнатини.
3. Подменете предпазителя на режещото оборудване, ако бъде повреден.

Режещо оборудване

Изберете подходящо режещо оборудване и извършете техническо обслужване на оборудването, за да:

- Получите максимална ефективност на рязане.
- Увеличите експлоатационния живот на режещото оборудване.



ПРЕДУПРЕЖДЕНИЕ:

Използвайте режещите приставки само с препоръчаното от нас предпазно оборудване! Направете справка с *Одобрени принадлежности на страница 41*. Направете справка с инструкциите за режещата приставка, за да намерите правилния начин за намотаване на тримерната корда и пластмасовите ножове.



ПРЕДУПРЕЖДЕНИЕ:

Повредена режеща приставка може да повиши риска от злополуки.



ПРЕДУПРЕЖДЕНИЕ: Винаги спирайте хранването, преди да започнете да работите по режещата приставка. Тя продължава да се върти, след като сте отпуснали спусъка на хранването. Уверете се, че режещата приставка е спряла напълно и разкачете акумулаторната батерия от продукта, преди да започнете работа по нея.

- Съхранявайте акумулаторната батерия далеч от микровълни и високо налягане.
- Не се опитвайте да разглобите или счупите акумулаторната батерия.
- Ако в акумулаторната батерия има теч, не оставяйте течността да влиза в контакт с тялото или очите. Ако докоснете течността, измийте мястото с голямо количество вода и сапун и потърсете медицинска помощ. Ако в очите Ви попадне течност, не ги търкайте, а ги промийте с вода в продължение на най-малко 15 минути и потърсете медицинска помощ.
- Използвайте акумулаторната батерия при температури между -10°C (14°F) и 40°C (114°F).
- Не почиствайте акумулаторната батерия или зарядното устройство за акумулаторни батерии с вода. Направете справка с *За почистване на продукта, батерията и зарядното устройство на страница 38*.
- Не използвайте дефектна или повредена акумулаторна батерия.
- Съхранявайте акумулаторната батерия далеч от метални предмети, като гвоздеи, винтове или бижута.
- Дръжте акумулаторната батерия далеч от деца.

Инструкции за безопасност за зарядното устройство на акумулаторната батерия



ПРЕДУПРЕЖДЕНИЕ: Прочетете следващите предупредителни инструкции, преди да използвате продукта.

- Ако не се спазват инструкциите за безопасност, има риск от токов удар или късо съединение.
- Не използвайте зарядни устройства, различни от доставеното с машината. Използвайте само зарядни устройства QC80 и 40-C80, когато зареждате резервните акумулаторни батерии от серия BLi и серия 40-B.
- Не опитвайте да разглобите зарядното устройство за акумулаторни батерии.
- Не използвайте дефектно или повредено зарядно устройство за акумулаторни батерии.
- Не повдигайте зарядното устройство за акумулаторни батерии, като го държите за хранящия шнур. За да изключите зарядното устройство за акумулаторни батерии от стенен контакт, извадете щепсела. Не дърпайте хранящия шнур.
- Дръжте всички кабели и удължителни кабели далеч от вода, масло и остри ръбове. Уверете се, че кабелът не е захванат между предмети, като например врати, огради или подобни.
- Не използвайте зарядното устройство за акумулаторни батерии близо до запалими

материали или материали, които могат да причинят корозия. Уверете се, че зарядното устройство за акумулаторни батерии не е покрито. Ако има дим или огън, извадете щепсела на зарядното устройство за акумулаторни батерии.

- Зареждайте акумулаторната батерия само на закрито, на място с добро проветряване и далеч от слънчева светлина. Не зареждайте акумулаторната батерия на открито. Не зареждайте акумулаторната батерия във влажна условия.
- Използвайте зарядното устройство за акумулаторни батерии само при температури между 5°C (41°F) и 40°C (104°F). Използвайте зарядното устройство за акумулаторни батерии в среда, която е суха, без прах и има добро проветряване.
- Не поставяйте предмети в охлаждащите отвори на зарядното устройство за акумулаторни батерии.
- Не свързвайте клемите на зарядното устройство за акумулаторни батерии към метални предмети, тъй като това може да предизвика късо съединение на зарядното устройство за акумулаторни батерии.
- Използвайте одобрени стенни контакти, които не са повредени. Уверете се, че шнурът на зарядното устройство за акумулаторни батерии не е повреден. Ако използвате удължителни кабели, се уверете, че те не са повредени.
- Не зареждайте незареждаеми акумулаторни батерии в зарядните устройства за акумулаторни батерии.

Инструкции за безопасност при техническо обслужване



ПРЕДУПРЕЖДЕНИЕ: Прочетете следващите предупредителни указания, преди да извършвате техническо обслужване на продукта.

- Извадете батерията, преди да извършите техническо обслужване, други проверки или сглобяване на продукта.
- Операторът трябва да извършва само техническо обслужване и ремонтни дейности, показани в тази инструкция за експлоатация. Обърнете се към Вашия сервизен дилър при нужда от по-сериозно техническо обслужване и ремонтни дейности.
- Не почиствайте батерията или зарядното устройство с вода. Силните почистващи препарати могат да повредят пластмасата.
- Ако не извършвате техническо обслужване, това намалява експлоатационния живот на продукта и увеличава риска от злополука.

- Необходимо е специално обучение за всички ремонти дейности и поправки особено що се отнася до приспособленията за безопасност на продукта. Ако не всички проверки в тази инструкция за експлоатация са одобрени, след

като сте извършили техническото обслужване, обърнете се към Вашия сервизен дилър. Ние гарантираме, че за Вашия продукт има налични професионални поправки и ремонти.

- Използвайте само оригинални резервни части.

Монтаж

Въведение



ПРЕДУПРЕЖДЕНИЕ: Прочетете и разберете главата за безопасност, преди да монтирате продукта.

За закрепване на предпазителя на режещата приставка

1. Поставете предпазителя на режещата приставка срещу корпуса на двигателя. (Фиг. 30)
2. Извършете проверка на заключващите куки. (Фиг. 31)
3. Затегнете болта. Използвайте комбиниран гаечен ключ. (Фиг. 32)
4. Затегнете болта.

За промяна на режещата приставка

1. Поставете комбинирания гаечен ключ в отвора, за да заключите вала. (Фиг. 33)
2. Завъртете режещата приставка и внимателно натиснете комбинирания гаечен ключ, докато изходният вал се блокира.
3. Завъртете режещата приставка по часовниковата стрелка, за да я отстраните. Уверете се, че задвижващият диск е поставен, преди да монтирате режещата приставка. (Фиг. 34)
4. Монтирайте новата режеща приставка в обратния ред. (Фиг. 35) (Фиг. 36)

Забележка: Уверете се, че задвижването на диска е монтирано правилно, преди да монтирате режещата приставка.

За монтиране на предпазителя за растения

1. Монтирайте предпазителя за растения в отворите на корпуса на двигателя. (Фиг. 37)

2. Уверете се, че предпазителят за растения може свободно да се движи напред и назад. (Фиг. 38)

За монтаж на примковата ръкохватка

1. Поставете винта в примковата ръкохватка. (Фиг. 39)
2. Монтирайте примковата ръкохватка към оборудването на двусекционния вал.
3. Затегнете винтовете.
4. Регулирайте примковата ръкохватка до правилно положение. Вижте *За регулиране на примковата ръкохватка и телескопичния двусекционен вал на страница 36.*

За монтиране на зарядното устройство за акумулаторни батерии 40-C80 на стената



ВНИМАНИЕ: Не използвайте електрическа отвертка, за да монтирате зарядното устройство за акумулаторни батерии към стената. Електрическа отвертка може да причини повреда на зарядното устройство за акумулаторни батерии.

1. Монтирайте зарядното устройство за акумулаторни батерии на стената с 2-та винта (А). Ако се налага, използвайте дюбелите (В). (Фиг. 40)
2. Монтирайте 2-те капачки за отвори за винтове (С).
3. Свържете захранващия шнур (D) към зарядното устройство за акумулаторни батерии и стенен контакт.

Операция

Въведение



ПРЕДУПРЕЖДЕНИЕ: Прочетете и разберете раздела с инструкции

за безопасност преди използване на продукта.

Преди да започнете работа с продукта

- Прегледайте работния участък, за да се уверите, че познавате вида на терена. Прегледайте наклона на терена и дали има препятствия като камъни, клони и канавки.
- Извършете цялостна инспекция на продукта.
- Извършете инспекциите за безопасност, техническо обслужване и обслужване, които са посочени в това ръководство.
- Проверете двигателя за мръсотия или пукнатини. Използвайте четка за почистване на двигателя от трева и листа. Използвайте ръкавици, когато е необходимо.
- Проверете тримерната глава и предпазителя на режещото оборудване за повреди и пукнатини. Подменете тримерната глава и предпазителя на режещото оборудване, ако са били ударени или ако по тях има пукнатини.
- Уверете се, че всички гайки и винтове са затегнати.
- Преди да стартирате продукта, се уверете, че всички капаци, предпазители, ръкохватки и режещо оборудване са правилно закрепени и не са повредени.

Акумулаторна батерия



ПРЕДУПРЕЖДЕНИЕ: Прочетете и разберете главата за безопасност преди използване на акумулаторната батерия. Прочетете и разберете ръководството за оператора за акумулаторната батерия и зарядното устройство за акумулаторни батерии.

Поддържайте правилни околни температури за акумулаторната батерия и зарядното устройство за акумулаторни батерии.

	Околна температура
Работа на продукта	-5°C – 40°C/23°F – 104°F
Зареждане на акумулаторната батерия	5°C – 40°C/41°F – 104°F

Състояние на акумулаторната батерия

Дисплеят показва състоянието на зареждане и дали има проблеми с акумулаторната батерия.

(Фиг. 41)

Светодиоден индикатор	Състояние на акумулаторната батерия (състояние на зареждане)	
	BLi10, BLi20	40-B70, 40-B140
4 светодиодни светлини светят	Не е налично	Акумулаторната батерия е заредена на 76% – 100%.
3 светодиодни светлини светят	Акумулаторната батерия е заредена на 76% – 100%.	Акумулаторната батерия е заредена на 51% – 75%.
2 светодиодни светлини светят	Акумулаторната батерия е заредена на 51% – 75%.	Акумулаторната батерия е заредена на 26% – 50%.
1 светодиодна светлина свети	Акумулаторната батерия е заредена на 26% – 50%.	Акумулаторната батерия е заредена на 6% – 25%.
1 светодиодна светлина мига	Акумулаторната батерия е заредена на 0% – 25%.	Акумулаторната батерия е заредена на 0% – 5%.

За зареждане на акумулаторната батерия

Заредете батерията, ако това е първият път, в който я използвате. Новата акумулаторна батерия е заредена само на 30%.



ВНИМАНИЕ: Свържете зарядното устройство за акумулаторни батерии към захранващ контакт с напрежението и честотата, указани на табелката с данни.

Акумулаторната батерия не се зарежда, ако нейната температура е по-висока от 50°C (122°F).

1. Свържете захранващия шнур към зарядното устройство за акумулаторни батерии.
2. Свържете зарядното устройство за акумулаторни батерии към заземен захранващ контакт. Светодиодът за зареждане мига еднократно. (Фиг. 42)
3. Свържете акумулаторната батерия към зарядното устройство. Светодиодът за зареждане светва. Зареждайте акумулаторната батерия за най-много 24 часа. (Фиг. 43)
4. Натиснете бутона на индикатора върху акумулаторната батерия; ако всички светодиодни индикатори светнат, акумулаторната батерия е напълно заредена.

5. Издърпайте захранващия щепсел, за да изключите зарядното устройство за акумулаторни батерии от захранващия контакт. Не дърпайте захранващия шнур.
6. Отстранете акумулаторната батерия от зарядното устройство.

За свързване на батерията към продукта



ПРЕДУПРЕЖДЕНИЕ:

Използвайте само оригиналната акумулаторна батерия Husqvarna за продукта.

1. Заредете батерията напълно.
2. Притиснете акумулаторната батерия в държача на батерията на продукта. Батерията се заключва в позиция, когато чуete щракване. (Фиг. 44)



ВНИМАНИЕ:

Ако батерията не влезе лесно в държача, значи тя не е поставена правилно. Това може да повреди продукта.

За стартиране на продукта

1. Натиснете и задръжте бутона за стартиране/спиране, докато зеленият светодиод не светне. (Фиг. 45)
2. Натиснете блокировката на захранващия спусък и захранващия спусък. Режещото оборудване започва да се върти.

За регулиране на примковата ръкохватка и телескопичния двусекционен вал

1. Разхлабете блокиращата ръкохватка и регулирайте примковата ръкохватка до правилно положение. (Фиг. 46)
2. Затворете блокиращата ръкохватка.
3. Разхлабете лоста на двусекционния вал. (Фиг. 47)
4. Настройте необходимата дължина на двусекционния вал. Уверете се, че можете да видите триъгълника на вала. (Фиг. 48)
5. Затворете лоста и затегнете винта.

Забележка: Не закрепвайте примковата ръкохватка върху предупредителните лепенки на вала.

За да използвате функцията SavE

Този продукт има функция за пестене на енергията – SavE.

Забележка: Функцията SavE не намалява мощността на рязане на продукта.

1. Натиснете бутона SavE на клавиатурата.
2. Уверете се, че светва зеленият светодиод.
3. Натиснете отново бутона SavE, за да прекъснете функцията. Зеленият светодиод изгасва. (Фиг. 49)

Функция за автоматично изключване

Продуктът разполага с функция за изключване, която го спира, ако продуктът не се използва. Зеленият индикаторен светодиод за старт/стоп изгасва и след 180 секунди продуктът спира.

За работа с продукта

За рязане на трева

1. Уверете се, че пластмасовите ножове или кордата на тримера са успоредни на земята, когато режете тревата. (Фиг. 50)
2. Не натискайте Tri-Cut или тримерната глава към земята. Това може да повреди продукта.

Забележка:

Ниската околна температура близо до 0° C може да доведе до счупване на ножа или скъсване на тримерната корда.

3. Движете продукта от едната страна до другата, когато режете трева. (Фиг. 51)

Забележка:

Не използвайте продукта с повредена режеща приставка. Режеща приставка, която е повредена, може да доведе до дебалансиране, което може да повреди продукта.

За почистване на трева

Въздушният поток от въртящите се пластмасови ножове или кордата на тримера може да се използва за отстраняване на отрязана трева от площта.

1. Поддържайте тримерната глава, пластмасовите ножове или кордата на тримера успоредно на земята и над земята.
2. Приложете пълни обороти.
3. Движете режещата приставка от едната страна до другата и почиствайте тревата.



ПРЕДУПРЕЖДЕНИЕ:

Почиствайте капака на режещата приставка всеки път, когато монтирате нови пластмасови ножове или нова корда на тримера, за да предотвратите нарушаване на баланса и вибрации в ръкохватките. Освен това извършете проверка на другите части на режещата

приставка и я почистете, ако е необходимо.

За да режете близо до обекти

1. Дръпнете предпазителя за растения надолу. (Фиг. 52)
2. Използвайте предпазителя за растения, за да избегнете повреда на други обекти. (Фиг. 53)

Спиране на продукта

1. Освободете захранващия спусък и блокировката на захранващия спусък.

2. Натискайте бутона за стартиране/спиране, докато зеленият светодиод изгасне.
3. Натиснете бутоните за освобождаване на акумулаторната батерия и я извадете от продукта. (Фиг. 54)

За да смените пластмасовите ножове или кордата на тримера

Направете справка с последните страници от ръководството за оператора.

Поддръжка

Въведение



ПРЕДУПРЕЖДЕНИЕ: Прочетете и разберете главата с инструкции за безопасност, преди да започнете техническо обслужване на продукта.

Следва списък със стъпките от техническото обслужване, които трябва да изпълните за Вашия продукт. Направете справка с *Общ преглед на продукта на страница 25* за още информация.

Разписаниe за техническо обслужване



ПРЕДУПРЕЖДЕНИЕ: Отстранете акумулаторната батерия, преди да извършите техническото обслужване.

Техническо обслужване	Ежедневно	Всяка седмица	Всеки месец
Почистете външните части на продукта със суха кърпа. Не използвайте вода.	X		
Уверете се, че бутонът за стартиране и спиране работи правилно и не е повреден.	X		
Уверете се, че захранващият спусък и блокировката на захранващия спусък работят правилно от гледна точка на безопасността.	X		
Уверете се, че ръкохватките са сухи и чисти.	X		
Уверете се, че предпазителят на режещата приставка не е повреден. Сменете предпазителя на режещата приставка, ако е повреден.	X		
Уверете се, че ръкохватката или управлението не са повредени и че са закрепени правилно.	X		
Проверете заключващия механизъм на телескопичния прът. Направете справка с <i>За проверка на заключващия механизъм на телескопичния прът на страница 38</i> .	X		
Направете проверка на зарядното устройство за акумулаторни батерии, за да се уверите, че работи правилно и не е повредено.	X		
Уверете се, че акумулаторната батерия не е повредена.	X		

Техническо обслужване	Еже-дневно	Всяка седмица	Всеки месец
Уверете се, че акумулаторната батерия е заредена.	X		
Уверете се, че зарядното устройство не е повредено.	X		
Уверете се, че външните винтове и гайки са затегнати.		X	
Уверете се, че бутоните за освобождаване на акумулаторната батерия работят правилно и застопоряват акумулаторната батерия в продукта.		X	
Проверете дали има грес в макарата на тримерната глава.		X	
Почистете и проверете връзките между акумулаторната батерия и продукта.			X
Почистете и проверете връзката между акумулаторната батерия и зарядното устройство.			X

За проверка на батерията и зарядното устройство

1. Проверете батерията за повреди, като например пукнатини.
2. Проверете зарядното устройство за повреди, като например пукнатини.
3. Уверете се, че свързващият кабел на зарядното устройство не е повреден и напухан.

За почистване на продукта, батерията и зарядното устройство

1. Почиствайте продукта със сух парцал след употреба.
2. Почиствайте батерията и зарядното устройство със сух парцал. Дръжте водачите на батерията чисти.
3. Уверете се, че клемите на батерията и зарядното устройство са чисти, преди батерията да е поставена в зарядното устройство или в продукта.

За да направите проверка и да смените Tri-Cut

1. Проверете Tri-Cut за повреди и пукнатини.
2. Отстранете Tri-Cut. *Направете справка с "За отстраняване на Tri-Cut на последната страница от ръководството за оператора."*
3. Сглобете Tri-Cut. Направете справка с *За промяна на режещата приставка на страница 34.*

За проверка на заключващия механизъм на телескопичния прът

1. Проверете заключващия механизъм на телескопичния прът.
2. Регулирайте силата на въртящия момент. (Фиг. 55)

Отстраняване на проблеми

Клавиатура

Светодиоден екран	Възможни неизправности	Възможни решения
Светодиодът за грешка мига.	Претоварване	Режещото оборудване не може да се движи свободно. Освободете режещото оборудване.
	Температурно отклонение	Оставете продукта да се охлади.
Продуктът не стартира.	Натиснете захранващия спусък и стартерния бутон едновременно.	Отпуснете захранващия спусък и спрете продукта.
Светодиодът за грешка светва с червена светлина.	Необходимо е извършването на сервизно обслужване на продукта	Говорете с Вашия сервизен търговец.

Акумулаторна батерия

Светодиоден дисплей	Възможни неизправности	Възможно действие
Зеленият светодиод мига.	Ниско напрежение на акумулаторната батерия.	Заредете акумулаторната батерия.
Светодиодът за грешка мига.	Температурно отклонение.	Използвайте акумулаторната батерия при температури между -10°C (14°F) и 40°C (104°F).
	Твърде високо напрежение.	Уверете се, че мрежовото напрежение отговаря на напрежението на типовата табелка на продукта. Извадете акумулатора от зарядното устройство.
Светодиодът за грешка свети.	Разликата в клетките е твърде голяма (1 V).	Говорете с дистрибутора по сервизното обслужване.

Зарядно устройство за акумулатора

Проблем	Възможни неизправности	Възможно решение
Светодиодът за зареждане свети в червено.	Постоянна грешка в зарядното устройство за акумулаторни батерии.	Говорете с Вашия дилър.
Светодиодът за зареждане мига в зелено.	Температурно отклонение, акумулаторната батерия е твърде студена или твърде гореща за използване или зареждане.	Оставете акумулаторната батерия да изстине или я загрейте. Когато акумулаторната батерия е с правилната температура, тя може да се използва или зарежда отново. Използвайте зарядното устройство за батерии при температури на околната среда между 5°C (41°F) и 40°C (104°F).
Светодиодът за зареждане мига в червено.	Неизправна акумулаторна батерия.	Говорете с Вашия дилър.

Транспортиране, съхранение и изхвърляне

Транспорт и съхранение

- Доставените литиевойонни акумулаторни батерии отговарят на изискванията на законодателството за опасни продукти.
- Специалното изискване на опаковката и етикетите за търговско транспортиране трябва да се спазва, включително от трети страни и спедитори.
- Обърнете се към човек, преминал специално обучение за работа с опасни материали, преди да изпратите продукта. Спазвайте всички приложими национални регламенти.
- Поставете тиксо върху откритите терминали, когато поставяте акумулаторната батерия в опаковка. Поставете акумулаторната батерия плътно в опаковката, за да предотвратите движение.
- Извадете акумулаторната батерия при съхранение или транспортиране.
- Поставете акумулаторната батерия и зарядното устройство в сухо пространство, в което няма влага и скреж.

- Не съхранявайте акумулаторната батерия на места, където може да се натрупа статично електричество. Не съхранявайте акумулаторната батерия в метална кутия.
- Поставете акумулаторната батерия за съхранение при температура между 5°C/41°F и 25°C/77°F и далеч от пряка слънчева светлина.
- Поставете зарядното устройство за съхранение при температура между 5°C/41°F и 45°C/113°F и далеч от пряка слънчева светлина.
- Използвайте зарядното устройство само когато околната температура е между 5°C/41°F и 40°C/104°F.
- Заредете акумулаторната батерия между 30% и 50%, преди да я оставите за съхранение за продължително време.
- Съхранявайте зарядното устройство в затворено и сухо пространство.
- При съхранение дръжте акумулаторната батерия и зарядното устройство отделно. Не позволявайте на деца или други неодобвени лица да имат контакт с оборудването. Дръжте оборудването в пространство, което можете да заключавате.

- Почистете продукта и извършете пълно обслужване, преди да го съхранявате продължително време.
- Използвайте защитата при транспортиране на продукта, за да предотвратите наранявания или повреди на продукта по време на транспортиране и съхранение.
- Закрепете продукта безопасно при транспортиране.

Изхвърляне на батерията, зарядното устройство и продукта

Символите на продукта или на неговата опаковка означават, че той не е битов отпадък. Рециклирайте го в пункт за рециклиране за електрическо и електронно оборудване. Това помага да се предотврати увреждане на околната среда или на хора.

Свържете се с местните служби, местна сметосъбираща организация или с Вашия дилър за повече информация относно рециклирането на продукта.

Технически данни

Технически характеристики

	215iL-TC
Двигател	
Тип на двигателя	BLDC
Скорост на изходния вал, об/мин	6800
Ширина на рязане, mm	255
Тегло	
Тегло без акумулаторна батерия, kg	2,9
Шумови емисии ⁴	
Ниво на звуковата мощност, измерено, измерена dB (A)	90,8
Ниво на звуковата мощност, гарантирано L _{WA} dB (A)	93
Нива на шума ⁵	
Еквивалентно ниво на звуковото налягане при ухото на оператора, измерено съгласно IEC 62841-4-4, dB(A)	81,3

⁴ Емисии на шума в околната среда, измерени като звукова мощност (L_{WA}) в съответствие с директива на ЕО 2000/14/ЕО. Разликата между гарантираното и измереното ниво на шума е в това, че гарантираното ниво на шума включва също и дисперсията в резултата от измерването, както и вариациите между различните продукти от един и същи модел в съответствие с Директива 2000/14/ЕО.

⁵ Отчетените данни за еквивалентното ниво на звуковото налягане за продукта имат типична статистическа дисперсия (стандартно отклонение) от 3 dB (A).

	215IL-TC
Нива на вибрациите ⁶	
Нива на вибрациите при ръкохватките, измерени съгласно IEC 62841-4-4, m/s ²	3,0/2,7
Оборудван с тримерна глава (оригинална), отпред/отзад.	

Одобрени акумулаторни батерии за продукта

Акумулаторна батерия	BLi10		BLi20		40-B70	40-B140
Тип	Литиевойонен		Литиевойонен		Литиевойонен	Литиевойонен
Капацитет на акумулаторната батерия, Ah	Направете справка с лепенката с номинални стойности на акумулаторната батерия		Направете справка с лепенката с номинални стойности на акумулаторната батерия		Направете справка с лепенката с номинални стойности на акумулаторната батерия	Направете справка с лепенката с номинални стойности на акумулаторната батерия
Номинално напрежение, V	36	36,5	36	36,5	36	36
Тегло, lb/kg	0,7	0,7	1,2	1,2	0,8	1,25

Одобрени зарядни устройства за продукта

Зарядно устройство за акумулаторна батерия	QC80	40-C80
Напрежение на мрежата, V	100 – 240	100 – 240
Честота, Hz	50 – 60	50 – 60
Мощност, W	100	72
Изходно напрежение, V прав ток/ амperi, A	36/2	43/1,6

Принадлежности

Одобрени принадлежности

Одобрени принадлежности	Тип	Предпазител на режеща приставка, арт. №
Тримерна глава	R25B (Ø 2 mm корда)	529 96 69-01

⁶ Отчетените данни за нивото на вибрациите имат типична статистическа дисперсия (стандартно отклонение) от 1,5 m/s².

Одобрени принадлежности	Тип	Предпазител на режеща приставка, арт. №
Тримерна глава	Tri-Cut B (255 mm)	529 96 69-01

Декларация за съответствие

Декларация за съответствие на ЕС

Ние, **Husqvarna AB**, SE-561 82 Huskvarna, Швеция,
тел.: +46-36-146500, декларираме на своя собствена
отговорност, че продуктът:

Описание	Акумулаторен тример за трева
Марка	Husqvarna
Тип/модел	215iL-TC
Идентификация	Серийни номера от 2025 и нататък

отговаря напълно на следните директиви и
регламенти на ЕС:

Директива/регламент	Описание
2006/42/ЕО	"относно машините"
2014/30/ЕС	"относно електромагнитната съвместимост"
2000/14/ЕО	"относно шумовите емисии в околната среда"
2011/65/ЕС	"по отношение на ограничението за използване на определени опасни вещества в електрическо и електронно оборудване"

и че следните стандарти и/или
технически спецификации са приложени: EN
62841-1:2015+A11:2022, IEC 62841-4-4:2020, EN
ISO 12100:2010, EN IEC 63000:2018, EN IEC
55014-1:2021; EN IEC 55014-2:2021.

Упълномощен орган: 0036 TÜV SÜD Industrie Service
GmbH, Westendstraße 199, 80686 München, Germany,
сертифицира за съответствие с Директива на съвета
2000/14/ЕО, процедура за оценка на съответствието:
приложение VI.

За информация относно шумовите емисии
направете справка с *Технически характеристики на*
страница 40.

Husqvarna, 2025-01-10



Claes Losdal, мениджър по развойна дейност,
Husqvarna AB

Отговорен за техническата документация



Obsah

Úvod.....	44	Přeprava, skladování a likvidace.....	56
Bezpečnost.....	45	Technické údaje.....	56
Montáž.....	51	Příslušenství.....	58
Provoz.....	52	Prohlášení o shodě.....	59
Údržba.....	54	Příloha	478
Odstraňování problémů.....	55		

Úvod

Popis výrobku

Husqvarna 215iL-TC je akumulátorový vyžinač s elektrickým motorem.

Nepřetržitě pracujeme na tom, abychom zvýšili vaši bezpečnost a efektivitu při používání. Další informace získáte u svého prodejce poskytujícího servis.

Zamýšlené použití

Výrobek se používá s nekovovými plastovými noži. Nepoužívejte výrobek k jiným účelům než je vyžínání plevele, trávy nebo podobné měkké vegetace.

Popis výrobku

(Obr. 1)

1. Vyžínací hlava Tri-Cut
2. Kryt sekacího nástavce
3. Hřídel
4. Nastavení hřídele (teleskopické)
5. Držadlo ve tvaru „D“
6. Klávesnice
7. Varovná kontrolka klávesnice
8. Vypínač
9. Tlačítko SavE (Úspora energie)
10. Páčka spínače
11. Pojistka páčky spínače
12. Indikátor napájení a výstražný indikátor
13. Konektor
14. Nabíječka baterií 40-C80
15. Ramínko na ochranu rostlin
16. Varovná kontrolka baterie
17. Stav baterie
18. Tlačítko ukazatele stavu baterie
19. Tlačítka pro uvolnění baterie
20. Baterie
21. Kombinovaný nástroj
22. Hnací kotouč
23. Návod k používání

Povšimněte si: Věk pro používání výrobku může být omezen místními předpisy.

Výrobek používejte výhradně s příslušenstvím, které doporučuje výrobce. Další informace jsou uvedeny v části *Příslušenství na strani 58*.

Symbyly na výrobku

- (Obr. 2) **VAROVÁNÍ:** Tento výrobek může být nebezpečný a způsobit obsluze či dalším osobám vážné zranění. Buďte opatrní a výrobek používejte správně.
- (Obr. 3) Před použitím si pozorně prostudujte tento návod k používání a nepoužívejte výrobek, pokud návodu zcela nerozumíte.
- (Obr. 4) Používejte ochranu očí a sluchu.
- (Obr. 5) Nevystavujte dešti.
- (Obr. 6) Štítek s emisemi hluku do okolí podle směrnic a předpisů EU a Spojeného království (také podle legislativy v australském Novém Jižním Walesu). Údaje o emisích hluku naleznete na štítku stroje a v kapitole Technické údaje. Platí pouze v případě, že je výrobek vybaven vyžínací strunou.
- (Obr. 7) Dávejte pozor na odmrštěné předměty.
- (Obr. 8) Před údržbou odpojte baterii.
- (Obr. 9) Výrobek ani obal výrobku nelze zlikvidovat jako domácí odpad. Odevzdejte jej

ve stanici pro recyklaci elektrických a elektronických zařízení.

(Obr. 11) Výrobek vyhovuje platným předpisům Spojeného království.

(Obr. 10) Výrobek odpovídá příslušným směrnicím EU.

(Obr. 12) Stejnoseměrný proud.

(Obr. 16)

Vzdálenost mezi strojem a přihlížejícími osobami musí být nejméně 15 m.

(Obr. 17)

Nepoužívejte kovové nože.

yyyywwxxxxx

Typový štítek s výrobním číslem nebo natištěné číslo. **yyyy** znamená rok výroby a **ww** znamená týden výroby.

Symbole na baterii nebo na nabíječe baterii

(Obr. 15) Dvojitá izolace.

(Obr. 18) Odevzdejte výrobek ve stanici pro recyklaci elektrických a elektronických zařízení. (Platí pouze pro Evropu)

(Obr. 13) Transformátor se zabezpečením proti selhání.

(Obr. 14) Nabíječku baterii používejte a skladujte pouze ve vnitřních prostorech.

Poškození výrobku

Neneseme odpovědnost za poškození výrobku, pokud:

- byl výrobek nesprávně opraven.
- byl výrobek opraven pomocí součástí od jiného výrobce nebo součástí, které nejsou výrobcem schváleny.
- má výrobek příslušenství od jiného výrobce nebo příslušenství, které není výrobcem schváleno.
- výrobek nebyl opraven ve schváleném servisním středisku nebo schváleným odborníkem.

Bezpečnost

Definice týkající se bezpečnosti

Varování, upozornění a poznámky slouží jako upozornění na specifické důležité části návodu.

elektrickým proudem, požáru nebo vážnému poranění.



VÝSTRAHA: Používá se v případě nebezpečí úrazu nebo usmrcení obsluhy nebo okolních osob, pokud nejsou dodrženy pokyny uvedené v této příručce.

Uschovejte si veškerá upozornění a pokyny pro budoucí potřebu.



VAROVÁNÍ: Používá se v případě nebezpečí poškození výrobku, dalších materiálů či škod na majetku v blízkém okolí, pokud nejsou dodrženy pokyny uvedené v této příručce.

Povšimněte si: *Pojem „stroj“ použitý v bezpečnostních pokynech se vztahuje na stroj napájený ze sítě (se síťovým kabelem) nebo napájený baterii (bezdrátový).*

Povšimněte si: Používá se k poskytnutí dalších informací, které jsou nezbytné v dané situaci.

Bezpečnost na pracovišti

Obecné bezpečnostní pokyny pro stroj



VÝSTRAHA: *Prostudujte si všechny bezpečnostní pokyny, varování, pokyny, ilustrace a technické údaje dodané s tímto strojem. Při nedodržení některého z pokynů uvedených níže může dojít k úrazu*

- **Udržujte pracovní prostor čistý a dobře osvětlený.** Nepořádek nebo neosvětlené oblasti mohou vést k úrazům.
- **Nepoužívejte stroj ve výbušném prostředí, například v přítomnosti hořlavých kapalin, plynů či prachu.** Stroj vytváří jiskry, které mohou zapálit prach nebo výpar.
- **Udržujte děti a ostatní osoby během práce se strojem v dostatečné vzdálenosti.** Při rozptýlení pozornosti můžete ztratit kontrolu nad strojem.

Elektrická bezpečnost

- **Zástrčky stroje musí odpovídat použité elektrické zásuvce. Zástrčku nikdy žádným způsobem neupravujte. U uzemněných strojů nepoužívejte**

Žádné adaptéry. Původní zástrčky a odpovídající zásuvky snižují nebezpečí úrazu elektrickým proudem.

- **Zabraňte tělesnému kontaktu s uzemněnými povrchy, např. trubkami, radiátory, sporáky a chladničkami.** Pokud je lidské tělo uzemněno, hrozí větší nebezpečí úrazu elektrickým proudem.
- **Stroj nevystavujte dešti ani vlhku.** Voda uvnitř stroje zvyšuje riziko úrazu elektrickým proudem.
- **Nezacházejte hrubě s napájecím kabelem. Stroj nikdy nenoste za kabel. Za kabel netahajte a stroj neodpojíte od sítě taháním za kabel. Nevystavujte napájecí kabel působení tepla, oleje, nepoškodte ho ostrými hranami nebo pohyblivými částmi.** Poškozený nebo ohnutý kabel zvyšuje nebezpečí úrazu elektrickým proudem.
- **Při používání stroje venku použijte prodlužovací kabel určený pro venkovní použití.** Použití kabelu určeného pro venkovní použití snižuje nebezpečí úrazu elektrickým proudem.
- **Pokud je nezbytné pracovat se strojem ve vlhkém prostředí, použijte zdroj s proudovým chráničem.** Použití proudového chrániče snižuje nebezpečí úrazu elektrickým proudem.

Osobní bezpečnost

- **Při práci se strojem dávejte pozor, sledujte, co děláte, a používejte zdravý rozum. Stroj nepoužívejte, pokud jste unaveni nebo jste pod vlivem drog, alkoholu či léků.** Chvilka nepozornosti při práci se strojem může vést k vážným poraněním.
- **Používejte osobní ochranné pomůcky. Vždy používejte ochranu zraku.** Ochranné prostředky, jako jsou respirátor, protiskluzové bezpečnostní boty, ochranná helma nebo ochrana sluchu, použité správným způsobem snižují nebezpečí úrazu.
- **Zabraňte náhodnému spuštění. Před připojením k elektrickému napájení nebo vložením baterií, zvednutím nebo nošením stroje se přesvědčte, že je vypínač ve vypnuté poloze.** Přenášení stroje s prstem na spínači nebo připojování stroje se zapnutým spínačem ke zdroji napětí zvyšuje riziko nehody.
- **Před zapnutím stroje odstraňte jakékoliv seřizovací nebo dotahovací klíče.** Klíč ponechaný na rotující části stroje může způsobit úraz.
- **Nezatahujte se příliš daleko. Neustále pevně stůjte a držte rovnováhu.** Budete tak mít lepší kontrolu nad strojem v neočekávaných situacích.
- **Noste vhodný oděv. Nenoste volné oblečení ani šperky. Udržujte vlasy a oděv mimo dosah pohyblivých částí.** Pohyblivé části mohou zachytit volný oděv, šperky nebo dlouhé vlasy.
- **Pokud jsou zařízení přizpůsobena pro připojení odsávaců a lapačů prachu, musí být připojeny a správně použity.** Použitím lapačů prachu snižujete rizika spojená s výskytem prachu.
- **Nedovoňte, aby rutina nabytá častým používáním stroje způsobila, že začnete být neopatrní a budete**

ignorovat bezpečnostní zásady při zacházení se strojem. Neopatrný úkon může způsobit vážné zranění ve zlomku sekundy.

Používání stroje a péče o něj

- **Stroj nepřetěžujte. Pro danou práci používejte jen k tomu určený stroj.** Vhodný stroj bude dělat práci lépe a bezpečněji při rychlosti, pro kterou byl navržen.
- **Nepoužívejte stroj, pokud nefunguje vypínač.** Stroj, který nelze ovládat vypínačem, je nebezpečný a musí být opraven.
- **Před jakýmkoli nastavením, výměnou příslušenství nebo uložením stroje odpojte zástrčku od napájení nebo vytáhněte z nástroje baterie, pokud je to možné.** Toto opatření zabraňuje náhodnému spuštění stroje.
- **Nepoužívaný stroj ukládejte mimo dosah dětí a nedovoňte, aby s ním pracovaly osoby, které ho dobře neznají nebo si nepřečetly tento návod k používání.** Stroje jsou v rukou neproškolených uživatelů nebezpečné.
- **Provádějte údržbu stroje a příslušenství. Kontrolujte chybné zarovnání nebo spojení pohyblivých částí, poškození jakýchkoliv částí nebo jiné stavy, které mohou ovlivnit provoz stroje. Pokud je stroj poškozen, nechte ho před použitím opravit.** Mnohé nehody jsou způsobeny špatnou údržbou stroje.
- **Udržujte řezací nástroje ostré a čisté.** Správně udržované řezací stroje s ostrým ostřím jsou méně náchylné k „zakousnutí“ a snadněji se ovládají.
- **Používejte stroj, příslušenství a další části podle těchto pokynů. V úvahu je třeba brát pracovní podmínky a prováděnou práci.** Použití stroje k jinému účelu, než pro který je určen, může mít za následek vznik nebezpečné situace.
- **Rukojeti a uchopovací plochy udržujte suché, čisté a bez zbytků oleje a maziva.** Kluzké rukojeti a uchopovací plochy neumožňují bezpečné ovládání stroje a v neočekávaných situacích může dojít ke ztrátě kontroly.

Použití akumulátorových strojů a péče o ně

- **Baterii dobíjete pouze nabíječkou specifikovanou výrobcem.** Použití nabíječky vhodné pro jeden typ baterie může pro jiný typ baterie představovat nebezpečí vzniku požáru.
- **Ve stroji používejte pouze k tomu určené baterie.** Při použití jakékoli jiné baterie hrozí riziko úrazu a požáru.
- **Když baterii nepoužíváte, udržujte ji stranou od kovových předmětů, např. kancelářských sponek, mincí, klíčů, hřebíků, šroubů nebo jiných malých kovových předmětů, které by mohly spojit kontakty baterie.** Při zkratování kontaktů baterie může dojít k popáleninám nebo k požáru.
- **V nevhodných podmínkách může dojít k vytečení kapaliny z baterie. Vyvarujte se kontaktu s kapalinou. Pokud dojde k náhodnému kontaktu, opláchněte postižené místo vodou. Při zasažení**

očí kapalinou vyhledejte lékařskou pomoc. Kapalina vyteká z baterie může způsobit podráždění nebo popáleniny.

- **Nepoužívejte poškozenou nebo pozměněnou baterii nebo stroj.** Poškozené nebo upravené baterie mohou vykazovat neočekávané chování vedoucí k požáru, výbuchu nebo nebezpečí poranění.
- **Baterii nebo stroj nevystavujte ohni nebo příliš vysoké teplotě.** Vystavení ohni a teplotám nad 130 °C může způsobit explozi.
- **Dodržujte všechny pokyny pro nabíjení a nikdy nenabíjejte baterii nebo stroj mimo teplotní rozsah uvedený v pokynech.** Nesprávné nabíjení nebo nabíjení při teplotách mimo uvedený rozsah může mít za následek poškození baterie a zvýšené nebezpečí požáru.

Servis

- **Servis stroje smí provádět pouze kvalifikovaná osoba za použití identických náhradních dílů.** To zajistí zachování bezpečnosti stroje.
- **Nikdy neprovádějte servis poškozených baterií.** Servis baterií smí provádět pouze výrobce nebo autorizovaný servis.

Bezpečnostní varování pro vyžinač

- **Stroj nepoužívejte za špatného počasí, zejména pokud hrozí riziko blesku.** Snížíte tak riziko zasažení bleskem.
- **Důkladně zkontrolujte, zda se v prostoru, kde chcete stroj používat, nenachází žádná zvířata.** Během provozu může dojít ke zranění divoké zvěře.
- **Důkladně zkontrolujte prostor, kde chcete stroj používat, a odstraňte kameny, klacky, dráty, kosti a další předměty.** Odmrštěné předměty mohou způsobit zranění.
- **Před použitím stroj vždy pečlivě prohlédněte a zkontrolujte, zda není poškozen sekací nástroj nebo kotouč nebo jejich sestavy.** Poškozené součásti zvyšují riziko poranění.
- **Dodržujte pokyny pro výměnu příslušenství.** Nesprávné utažené matice nebo šrouby, které zajišťují kotouč, mohou poškodit kotouč nebo vést k jeho odpojení.
- **Používejte ochranu očí, uší, hlavy a rukou.** Vhodné ochranné prostředky sniží nebezpečí úrazu odlétávajícími úlomky nebo náhodným kontaktem se sekacími zařízeními nebo strunami.
- **Při práci se strojem vždy noste ochrannou protiskluzovou obuv. Neprovazujte stroj naboso nebo v otevřených sandálech.** Tím snížíte riziko poranění nohou při kontaktu s pohyblivými se sekacími zařízeními nebo strunami.
- **Při provozu stroje vždy noste dlouhé kalhoty.** Odhalená pokožka zvyšuje riziko zranění odletujícími předměty.
- **Během provozu zajistěte bezpečnou vzdálenost dalších osob od stroje.** Odmrštěné úlomky mohou způsobit vážné zranění.
- **Při provozu stroje vždy používejte obě ruce.** Držení stroje oběma rukama zabrání ztrátě kontroly.
- **Držte stroj pouze za izolované úchopy, protože vyžinačí struna nebo kotouč by se mohly dostat do kontaktu se skrytou kabeláží.** Pokud se vyžinačí struna nebo kotouč dostane do styku s kabelem, který je pod proudem, může dojít k probíjení odkrytých kovových částí stroje a obsluha může utrpět úraz elektrickým proudem.
- **Vždy udržujte správný postoj a pracujte se strojem pouze tehdy, když stojíte na zemi.** Na kluzkém nebo nestabilním povrchu může dojít ke ztrátě rovnováhy nebo kontroly nad strojem.
- **Neppracujte se strojem na příliš strmých svazích.** Snížíte tak riziko ztráty kontroly, uklouznutí, pádu a možného úrazu.
- **Při práci na svazích dbejte na to, abyste stáli pevně, pohybovali se napříč svahem a nikdy ne do kopce nebo z kopce. Dbejte zvýšené opatnosti při změně směru.** Snížíte tak riziko ztráty kontroly, uklouznutí, pádu a možného úrazu.
- **Při provozu stroje udržujte všechny části těla v bezpečné vzdálenosti od sekacího nástroje, struny nebo kotouče. Před spuštěním stroje se ujistěte, že se sekací zařízení, struna nebo kotouč ničeho nedotýkají.** Při práci se strojem stačí okamžik nepozornosti a následkem může být zranění vás nebo dalších osob.
- **Při práci držte stroj pod úroveň pasu.** Tím zabráníte nechtěnému kontaktu se sekacím nástrojem nebo kotoučem a budete mít lepší kontrolu nad strojem v neočekávaných situacích.
- **Při řezání napruženého keře nebo mladého stromku dávejte pozor, aby se neodpružily zpět.** Když povolí napětí dřevních vláken, keř nebo mladý stromek může udeřit obsluhu nebo odmrstit stroj tak, že nad ní obsluha ztratí kontrolu.
- **Dávejte mimořádný pozor při řezání keřů a mladých stromků.** Tenký materiál může zachytit kotouč a může být vržen směrem k vám nebo vás vychýlit z rovnováhy.
- **Udržujte kontrolu nad strojem a nedotýkejte se sekacích nástrojů, strun nebo kotoučů a jiných nebezpečných pohyblivých součástí, pokud jsou stále v pohybu.** Tím snížíte riziko poranění pohyblivými součástmi.
- **Stroj přenášejte, pouze pokud je vypnutý a daleko od vašeho těla.** Správnou manipulací se strojem snížíte pravděpodobnost nechtěného kontaktu se sekacím nástrojem, strunou nebo kotoučem.
- **Používejte pouze náhradní sekací nástroje, struny, řezací hlavy a kotouče specifikované výrobcem.** Nesprávné náhradní díly zvýší riziko rozbití stroje a zranění.
- **Před odstraněním uvízlého materiálu nebo servisem stroje se ujistěte, že je vypnutý vypínač a baterie je vyjmuta.** Neočekávané spuštění stroje při odstraňování uvízlého materiálu nebo servisu může vést k vážnému zranění osob.

Kontrola před startem

- Aby nemohlo dojít k nechtěnému spuštění výrobku, vždy vyjměte baterii. Před údržbou výrobku vždy vyjměte baterii.
- Před použitím výrobku a po každém nárazu zkontrolujte, zda nevykazuje známky opotřebení a v případě potřeby proveďte nutné opravy.
- Zkontrolujte pracovní prostor. Odstraňte veškeré volné předměty, jako jsou kameny, střepy, hřebíky, ocelové dráty, šňůry apod., které by mohly být odmrštěny nebo zachyceny sekacím zařízením nebo krytem sekacího zařízení.
- Zkontrolujte, zda není znečištěný motor, nebo zda na něm nejsou nějaké praskliny. Pomocí kartáče z motoru očistěte trávu a listí. V případě potřeby použijte rukavice.
- Zkontrolujte, zda je žací hlava zcela připojena k vyžínací.
- Zkontrolujte, zda je výrobek v perfektním provozním stavu. Zkontrolujte, zda jsou všechny matice a šrouby dotaženy.
- Zkontrolujte vyžínací hlavu a kryt sekacího nástavce, zda nejsou poškozené nebo popraskané. Vyměňte vyžínací hlavu nebo kryt sekacího nástavce, pokud byly vystaveny úderu nebo pokud jsou na nich praskliny. Vždy používejte doporučený kryt pro řezací nástavec, který používáte. Viz kapitolu Technické údaje.
- Uživatel výrobku je povinen dohlédnout na to, aby se během práce nevyskytovaly v okruhu 15 metrů žádné osoby a zvířata. Pokud na stejném pracovišti pracuje více uživatelů, musí být udržována bezpečnostní vzdálenost nejméně 15 metrů.
- Před použitím důkladně zkontrolujte celý výrobek. Viz plán údržby.
- Použití může být upraveno národními nebo místními předpisy. Dodržujte příslušné předpisy.

Vždy používejte zdravý rozum

Není možné zmínit všechny představitelné situace, se kterými se můžete setkat. Buďte stále opatrní a používejte zdravý rozum. Vyhněte se všem situacím, o kterých se domníváte, že jsou nad vaše možnosti. Pokud si ani po přečtení tohoto návodu nebudete jisti, jak stroj správně používat, než budete pokračovat v práci, obraťte se na odborníka.



VÝSTRAHA: Nenechte nikdy děti používat stroj nebo se zdržovat v jeho blízkosti. Jelikož lze zařízení snadno spustit, mohou jej spustit i děti, pokud nejsou celou dobu pod dozorem. Tím může dojít k nebezpečí vážného úrazu. Proto ze zařízení v době, kdy není plně pod dozorem, vždy vyjměte baterii.

Obecné bezpečnostní pokyny



VÝSTRAHA: Před použitím výrobku si přečtěte následující varování.

- Vyjměte baterii, aby nedošlo k nechtěnému spuštění výrobku.
- Při neopatrném nebo nesprávném použití se stává tento výrobek velmi nebezpečným nástrojem. Tento výrobek může způsobit obsluze a dalším osobám vážné zranění.
- Pokud se změní původní specifikace výrobku, nepoužívejte ho. Bez schválení výrobcem neměňte žádné součásti výrobku. Používejte výhradně díly schválené výrobcem. Nesprávná údržba může mít za následek zranění nebo smrt.
- Před použitím výrobek zkontrolujte. Další informace jsou uvedeny v části *Bezpečnostní zařízení na produktu na strani 49 a Popis výrobku na strani 44*. Nepoužívejte výrobek, který je poškozený nebo nefunguje správně. Dodržujte pokyny pro kontrolu, údržbu a servis popsané v této příručce.
- Děti by měly být pod dozorem, aby si s výrobkem nehrály. Výrobek ani baterii nikdy nedovolte používat dětem nebo osobám, které nejsou k jejich používání vyškoleny. Věk obsluhy může být upraven místními zákony.
- Skladujte výrobek na uzamčeném místě, aby se zamezilo přístupu dětí a neoprávněných osob.
- Výrobek uchovávejte mimo dosah dětí.
- Konstrukce produktu nesmí být za žádných okolností upravována bez svolení výrobce. Vždy používejte originální příslušenství. Nepovolené úpravy nebo příslušenství mohou vést k vážnému nebo smrtelnému zranění obsluhy nebo jiných osob.
- Deklarovaná celková hodnota vibrací byla měřena standardní zkušební metodou a lze ji použít ke vzájemnému porovnávání nástrojů.
- Deklarovanou celkovou hodnotu vibrací lze rovněž použít k předběžnému zhodnocení působení na uživatele.
- Emise vibrací během skutečného používání elektrického nástroje se mohou lišit od deklarované celkové hodnoty podle způsobu použití nástroje. Uživatelé musí podniknout bezpečnostní opatření, která je ochrání, založená na odhadu rizik při skutečných podmínkách během používání (musí vzít v úvahu všechny části provozního cyklu, kromě zapínání např. také vypínání a běh nástroje ve volnoběžných otáčkách).

Povšimněte si: Použití může být upraveno národními nebo místními předpisy. Dodržujte příslušné předpisy.

Osobní ochranné prostředky



VÝSTRAHA: Před použitím výrobku si přečtěte následující varování.

- Při použití výrobku je nutné vždy používat schválené osobní ochranné prostředky. Osobní ochranné prostředky nemohou zcela eliminovat nebezpečí úrazu, ale v případě nehody pomáhají snížit míru poranění. Požádejte prodejce, aby vám pomohl vybrat správné vybavení.
- Vždy používejte schválenou ochranu sluchu.

(Obr. 19)

- Vždy používejte schválenou ochranu očí. Použijete-li štít, je nutno použít i schválené ochranné brýle. Schválené ochranné brýle musí být v souladu s normou ANSI Z87.1 v USA nebo EN 166 v zemích EU.

(Obr. 20)

- Při určitých činnostech používejte rukavice, například při nasazování, prohlídce nebo čištění stříhacího zařízení.

(Obr. 21)

- Používejte ochrannou obuv s ocelovou špičkou a protiskluzovou podrážkou.

(Obr. 22)

- Noste oblečení vyrobené z pevné tkaniny. Vždy používejte silné, dlouhé kalhoty a dlouhé rukávy. Nepoužívejte volné oblečení, které se může zachytit o keře nebo větve. Nenoste šperky, krátké kalhoty nebo sandály. Nepracujte naboso. Stáhněte si vlasy bezpečně nahoru nad úroveň ramen.
- Mějte při ruce lékárníčku.

(Obr. 23)

Bezpečnostní zařízení na produktu



VÝSTRAHA: Před použitím výrobku si přečtěte následující varování.

V této části je popsáno bezpečnostní vybavení výrobku, jeho účel a způsob provádění kontroly a údržby k zajištění správného provozu. Viz pokyny v části *Úvod na strani 44* pro informace o umístění těchto dílů na výrobku.

Životnost výrobku se může zkracovat a riziko úrazů zvyšovat, jestliže se údržba neprovádí správně nebo se opravy neprovádějí odborně. Pokud potřebujete další informace, obraťte se na nejbližšího servisního prodejce.



VÝSTRAHA: Nikdy výrobek nepoužívejte s poškozenými bezpečnostními součástmi. Kontrolu a údržbu bezpečnostního vybavení výrobku je nutno

provádět podle postupů uvedených v této části. V případě, že by výrobek nevyhověl při jakékoli z těchto kontrol, je nutno vyhledat autorizované servisní středisko a nechat závadu odstranit.



VAROVÁNÍ: Servis a opravy stroje vyžadují speciální odborné školení. To se zvláště týká servisu a oprav bezpečnostního zařízení stroje. V případě, že by stroj nevyhověl při některé z níže uvedených kontrol, je nutno vyhledat servisní opravnu. Každému zákazníkovi, který zakoupí kterýkoli z našich výrobků, zaručujeme dostupnost profesionálních oprav a servisních prací. Pokud prodejce, který vám stroj prodal, neposkytuje servisní práce, požádejte jej o adresu naší nejbližší servisní opravny.

Kontrola klávesnice

1. Stisknete a podržte tlačítko pro spuštění/zastavení (A). (Obr. 24)
 - a) Výrobek je zapnutý, když svítí kontrolka LED (B).
 - b) Výrobek je vypnutý, když kontrolka LED (B) nesvítí.
2. Pokud svítí nebo bliká varovná kontrolka (C), řiďte se pokyny v části *Klávesnice na strani 55*.

Kontrola pojistky páčky spínače

Pojistka páčky spínače brání nechtěnému spuštění výrobku. Při stisknutí pojistky páčky spínače (A) se páčka spínače (B) uvolní. Při uvolnění rukojeti se páčka spínače a pojistka páčky spínače vrátí zpět do své původní polohy. (Obr. 25)

1. Je-li pojistka páčky spínače ve své původní poloze, ujistěte se, zda je páčka spínače zajištěna. (Obr. 26)
2. Stisknete páčku spínače a zkontrolujte, zda se po uvolnění vrátí do své výchozí polohy. (Obr. 27)
3. Zkontrolujte, zda se páčka spínače a pojistka páčky spínače volně pohybují a zda vratná pružina funguje správně. (Obr. 28)
4. Nastartujte výrobek. Další informace jsou uvedeny v části *Spuštění výrobku na strani 53*.
5. Použijte plný výkon.
6. Uvolněte páčku spínače a zkontrolujte, zda se řezací nástavec zcela zastaví.

Kontrola krytu sekacího nástavce



VÝSTRAHA: Nepoužívejte sekací nástavec bez schváleného a správně upevněného krytu sekacího nástavce. Vždy používejte kryt sekacího nástavce

doporučený pro instalovaný sekací nástavec, viz *Technické údaje na strani 56*. Používání nesprávného nebo vadného krytu sekacího nástavce může vést ke zranění osob.

- Před použitím namočte vyžínací strunu na několik dní do vody. Prodloužíte tím její životnost.

Bezpečnostní pokyny týkající se akumulátorů



VÝSTRAHA: Před použitím výrobku si přečtěte následující varování.

- Používejte pouze baterie řady BLi a 40-B. Podrobnosti najdete v části *Technické údaje na strani 56*. Baterie je softwarově zašifrována.
- Používejte pouze baterie řady BLi a 40-B, které jsou dobíjecí a vhodné jako zdroj napájení pro související výrobky Husqvarna. Abyste zabránili zranění, nepoužívejte baterii jako zdroj napájení pro jiná zařízení.
- Nebezpečí úrazu elektrickým proudem. Svorky baterie nepřipojujte ke klíčem, mincím, šroubkům nebo jiným kovovým předmětům. Může to způsobit zkrat baterie.
- Nepoužívejte baterie, které nejsou určené k dobíjení.
- Nevkládejte do větracích otvorů baterie žádné předměty.
- Chraňte baterii před sluncem, teplem nebo otevřeným ohněm. Baterie může způsobit popálení nebo chemické popálení.
- Chraňte baterii před deštěm a vlhkým prostředím.
- Chraňte baterii před mikrovlnami a vysokým tlakem.
- Baterii nikdy nerozebírejte nebo nerozbíjejte.
- Pokud baterie netěsní, kapalina nesmí přijít do styku s kůží a očima. Po styku s kapalinou omyjte zasaženou oblast velkým množstvím vody s mýdlem a vyhledejte lékařskou pomoc. Při zasažení očí kapalinou si je nemněte, ale vyplachujte je velkým množstvím vody po dobu minimálně 15 minut a vyhledejte lékařskou pomoc.
- Baterii použijte při teplotě -10 až 40 °C.
- Baterii ani nabíječku baterií nečistěte vodou. Viz část *Čištění výrobku, baterie a nabíječky baterií na strani 55*.
- Nepoužívejte vadnou nebo poškozenou baterii.
- Baterie uchovávejte mimo dosah kovových předmětů, jako jsou např. hřebíky, šrouby nebo šperky.
- Uchovávejte baterie mimo dosah dětí.

Bezpečnostní pokyny pro nabíječku baterií



VÝSTRAHA: Před použitím výrobku si přečtěte následující varování.

- Pokud nejsou bezpečnostní pokyny dodržovány, hrozí nebezpečí úrazu elektrickým proudem nebo zkrat.

Kryt sekacího nástavce brání vymrštění předmětů směrem k obsluze. Kryt sekacího nástavce také brání zraněním, ke kterým může dojít, pokud přijdete do kontaktu se sekacím nástavcem.

1. Zastavte motor.
2. Proveďte vizuální kontrolu ohledně poškození, například prasklin.
3. Poškozený kryt sekacího nástavce je nutné vyměnit.

Žací ústrojí

Výběrem správného řezacího zařízení a prováděním údržby řezacího zařízení:

- Dosáhnete nejlepších výsledků sečení.
- Zvýšíte životnost řezacího zařízení.



VÝSTRAHA: Používejte výhradně řezací nástavec spolu s námi doporučeným krytem! Další informace jsou uvedeny v části *Schválené příslušenství na strani 58*. Viz pokyny pro sekací nástavec, kde je uveden správný způsob instalace vyžínací struny a plastových nožičků.



VÝSTRAHA: Poškozený sekací nástavec zvyšuje nebezpečí úrazu.



VÝSTRAHA: Než přistoupíte k práci na sekacím nástavci, vždy vypněte napájení. Otáčíte se i po uvolnění páčky spínače. Ujistěte se, že se sekací nástavec zcela zastavil, a odpojte baterii od výrobku, než přistoupíte k práci s nástavcem.

Sekací nástavec



VÝSTRAHA: Vždy se ujistěte, že je vyžínací struna navinuta na cíve pevně a stejnoměrně, abyste zamezili škodlivým vibracím.

(Obr. 29)

- Používejte výhradně doporučené řezací nástavce.
- Důležitá je délka vyžínací struny. Delší vyžínací struna vyžaduje větší výkon motoru než krátká struna stejného průměru.
- Dbejte na to, aby nůž na krytu sekacího nástavce byl nepoškozený. Je určen k seřezávání vyžínací struny na správnou délku.

- Nepoužívejte nabíječku, která nebyla dodána s výrobkem. Při nabíjení náhradních baterií řady BLi a 40-B používejte výhradně nabíječky QC80 a 40-C80.
- Nabíječku baterií nerozebírejte.
- Nepoužívejte vadnou nebo poškozenou nabíječku baterií.
- Nabíječku nezvedejte pomocí napájecího kabelu. Když nabíječku baterií odpojíte z elektrické zásuvky, tahejte za zástrčku. Netahejte za napájecí kabel.
- Všechny kabely včetně prodlužovací udržujte mimo dosah vody, oleje a ostrých hran. Dejte pozor, aby se kabel nezachytil mezi předměty, například do dveří, za plot a podobně.
- Nabíječku nepoužívejte v blízkosti hořlavých nebo korozivních materiálů. Zkontrolujte, zda není nabíječka baterií poškozená. V případě, že zaznamenáte kouř nebo požár, vytáhněte zástrčku kabelu nabíječky baterií ze zásuvky.
- Baterii nabíjejte pouze uvnitř, a to v místech s dobrým prouděním vzduchu a mimo dosah slunečního světla. Nenabíjejte baterii venku. Nenabíjejte baterii ve vlhkém prostředí.
- Používejte nabíječku baterií pouze v místech, kde je teplota v rozsahu 5 až 40 °C. Nabíječku používejte v dobře větraném, suchém a bezprašném prostředí.
- Nevkládejte do chladících otvorů nabíječky baterií žádné předměty.
- Nepřipojujte svorky nabíječky baterií ke kovovým předmětům, protože by mohlo dojít ke zkratování nabíječky.
- Používejte schválené a nepoškozené síťové zásuvky. Zkontrolujte, zda není šňůra nabíječky

baterií poškozena. Pokud používáte prodlužovací kabely, zkontrolujte, zda nejsou poškozeny.

- V nabíječce nenabíjejte baterie, které nejsou dobíjecí.

Bezpečnostní pokyny pro údržbu



VÝSTRAHA: Před prováděním údržby výrobku si přečtěte následující varování.

- Před prováděním údržby, kontroly nebo montáže výrobku vyjměte baterii.
- Obsluha smí provádět pouze takové údržbářské a servisní úkony, které jsou popsány v tomto návodu k používání. Před provedením údržby a servisu většího rozsahu se obraťte na servisního prodejce.
- Baterii ani nabíječku baterií nečistěte vodou. Silné čisticí prostředky mohou způsobit poškození plastových dílů.
- Pokud byste neprováděli údržbu, podstatně by se zkrátil životní cyklus výrobku a zvýšilo se nebezpečí nehod.
- K provádění servisu a opravy je nutné speciální školení, zejména co se týče bezpečnostních zařízení. Pokud není možné po provedení údržby schválit všechny kontroly uvedené v tomto návodu k používání, obraťte se na servisního prodejce. Garantujeme, že jsou pro váš výrobek k dispozici profesionální opravy a servis.
- Používejte pouze originální náhradní díly.

Montáž

Úvod



VÝSTRAHA: Než začnete montovat výrobek, přečtěte si pozorně kapitolu o bezpečnosti.

Montáž krytu sekacího nástavce

1. Umístěte kryt sekacího nástavce na kryt motoru. (Obr. 30)
2. Zkontrolujte zajišťovací háčky. (Obr. 31)
3. Dotáhněte šroub. Použijte kombinovaný klíč. (Obr. 32)
4. Dotáhněte šroub.

Změna sekacího nástavce

1. Zasuňte kombinovaný klíč do otvoru pro zajištění hřídele. (Obr. 33)

2. Otáčejte sekacím nástavcem a opatrně tlačte na kombinovaný klíč, dokud se výstupní hřídel nezablokuje.
3. Odmontujte sekací nástavec jeho otáčením po směru hodinových ručiček. Před instalací sekacího nástavce se ujistěte, že je hnací kotouč na místě. (Obr. 34)
4. Namontujte nový sekací nástavec v opačném pořadí. (Obr. 35) (Obr. 36)

Povšimněte si: Před instalací sekacího nástavce se ujistěte, že je žací kotouč správně nainstalovaný.

Montáž ramínka na ochranu rostlin

1. Namontujte ramínko na ochranu rostlin do otvorů na krytu motoru. (Obr. 37)
2. Zkontrolujte, zda se ramínko na ochranu rostlin může volně pohybovat dopředu a dozadu. (Obr. 38)

Montáž držadla ve tvaru „D“

1. Namontujte šroub do držadla ve tvaru „D“. (Obr. 39)
2. Připevněte držadlo ve tvaru „D“ k nástavci na hřídeli.
3. Utáhněte šrouby.
4. Nastavte držadlo ve tvaru „D“ do správné polohy. Další informace naleznete v části *Nastavení držadla ve tvaru „D“ a teleskopické hřídele na strani 53.*

šroubovák. Elektrický šroubovák může nabíječku poškodit.

1. Upevněte nabíječku na stěnu pomocí 2 šroubů (A). V případě potřeby použijte hmoždinky (B). (Obr. 40)
2. Namontujte krytky na 2 šrouby (C).
3. Připojte napájecí kabel (D) k nabíječce a elektrické zásuvce.

Instalace nabíječky 40-C80 na stěnu



VAROVÁNÍ: K instalaci nabíječky baterií na stěnu nepoužívejte elektrický

Provoz

Úvod



VÝSTRAHA: Než začnete s výrobkem pracovat, přečtěte si důkladně kapitulu o bezpečnosti.

Před použitím výrobku

- Zkontrolujte pracovní oblast a obeznamte se s terénem. Zkontrolujte sklon povrchu a zjistěte, zda se zde vyskytují kameny, větve a jámy.
- Proveďte obecnou kontrolu výrobku.
- Proveďte bezpečnostní kontroly a postupy údržby a servisu, které jsou uvedeny v tomto návodu.
- Zkontrolujte, zda motor není znečištěný nebo zda na něm nejsou praskliny. Pomocí kartáče očistěte motor od trávy a listí. V případě potřeby použijte rukavice.
- Zkontrolujte, zda na strunové hlavě a krytu řezacího nástavce není poškození nebo praskliny. Vyměňte strunovou hlavu a kryt řezacího nástavce, pokud došlo k nárazu nebo jsou na nich praskliny.
- Zkontrolujte, zda jsou všechny zážítkové matice a šrouby dotažené.

- Před spuštěním výrobku zkontrolujte, zda jsou řádně připevněny všechny kryty, ochranné kryty, rukojeti a sekací zařízení a zda nejsou poškozené.

Baterie



VÝSTRAHA: Než začnete baterii používat, přečtěte si důkladně kapitulu o bezpečnosti. Přečtěte si důkladně návod k používání baterie a nabíječky baterií.

Baterii i nabíječku skladujte za správné okolní teploty.

	Okolní teplota
Provoz výrobku	-5 až 40 °C
Nabíjení baterie	5 až 40 °C

Stav baterie

Displej ukazuje stav nabití a zda došlo k problémům s baterií.

(Obr. 41)

Kontrolka LED	Stav baterie (stav nabití)	
	BLI10, BLI20	40-B70, 40-B140
Svítil 4 kontrolky LED	Není k dispozici	Baterie je nabitá na 76–100 %.
Svítil 3 kontrolky LED	Baterie je nabitá na 76–100 %.	Baterie je nabitá na 51–75 %.
Svítil 2 kontrolky LED	Baterie je nabitá na 51–75 %.	Baterie je nabitá na 26–50 %.
Svítil 1 kontrolka LED	Baterie je nabitá na 26–50 %.	Baterie je nabitá na 6–25 %.
Bliká 1 kontrolka LED	Baterie je nabitá na 0–25 %.	Baterie je nabitá na 0–5 %.

Nabití baterie

Před prvním použitím baterii nabijte. Nová baterie je nabitá pouze na 30 %.



VAROVÁNÍ: Nabíječku baterií zapojte do zásuvky s hodnotami napětí a frekvence, které jsou uvedené na typovém štítku.

Baterie se nenabíjí, pokud je teplota baterie vyšší než 50 °C.

1. Připojte k nabíječce baterií napájecí kabel.
2. Zapojte nabíječku baterií do uzemněné zásuvky. Kontrolka LED nabíjení jednou blikne. (Obr. 42)
3. Připojte baterii k nabíječce baterií. Rozsvítí se kontrolka LED dobíjení. Baterii nabíjejte maximálně po dobu 24 hodin. (Obr. 43)
4. Stiskněte tlačítko ukazatele stavu baterie. Pokud se rozsvítí všechny kontrolky LED, baterie je plně nabitá.
5. Vytažením napájecí zástrčky odpojte nabíječku baterií z elektrické zásuvky. Netahejte za napájecí kabel.
6. Vyjměte baterii z nabíječky.

Instalace baterie do výrobku



VÝSTRAHA: U výrobku používejte pouze původní baterii Husqvarna.

1. Baterii plně nabijte.
2. Zatláčte baterii do držáku baterie výrobku. Baterie je zajištěná na místě, jakmile uslyšíte cvaknutí. (Obr. 44)



VAROVÁNÍ: Pokud nelze baterii snadno zasunout do držáku baterie, baterie je špatně vložena. Můžete tím výrobek poškodit.

Spuštění výrobku

1. Stiskněte a podržte vypínač, dokud se nerozsvítí zelená kontrolka LED. (Obr. 45)
2. Stiskněte pojistku páčky spínače a páčku spínače. Sekací zařízení se začne otáčet.

Nastavení držadla ve tvaru „D“ a teleskopické hřídele

1. Povolte pojistnou rukojeť a nastavte rukojeť ve tvaru „D“ do správné polohy. (Obr. 46)
2. Zajištěte pojistnou rukojeť.
3. Povolte páku na hřídeli. (Obr. 47)
4. Nastavte hřídel na potřebnou délku. Ujistěte se, že vidíte trojúhelník na hřídeli. (Obr. 48)
5. Zavřete páku a utáhněte šroub.

Povšimněte si: Nepřipevňujte držadlo ve tvaru „D“ na výstražné štítky na hřídeli.

Použití funkce SavE

Tento výrobek je vybaven funkcí SavE, která snižuje spotřebu energie.

Povšimněte si: Funkce SavE nesnižuje řezný výkon výrobku.

1. Stiskněte tlačítko SavE na klávesnici.
2. Zkontrolujte, zda se rozsvítí zelená kontrolka LED.
3. Opětovným stiskem tlačítka SavE funkci vypnete. Zelená kontrolka LED zhasne. (Obr. 49)

Funkce automatického vypnutí

Výrobek je vybaven funkcí vypnutí, která zastaví výrobek, pokud není používán. Zelená kontrolka LED pro spouštění/zastavení zhasne a výrobek se po 180 sekundách vypne.

Obsluha výrobku

Sečení trávy

1. Zajištěte, aby při sečení trávy byly plastové nožičky a vyžínací struna souběžně se zemí. (Obr. 50)
2. Netlačte hlavu Tri-Cut nebo strunovou hlavu k zemi. Můžete tím výrobek poškodit.

Povšimněte si: Nízká okolní teplota kolem 0 °C může způsobit prasknutí nožičku nebo vyžínací struny.

3. Při sečení trávy pohybujte výrobkem ze strany na stranu. (Obr. 51)

Povšimněte si: Nepoužívejte výrobek s poškozeným sekacím nástavcem. Poškozený sekací nástavec může způsobit nevyvážení, které by mohlo výrobek poškodit.

Odstranění trávy

Proud vzduchu z otáčejících se plastových nožičků nebo vyžínací struny lze použít k odstranění trávy z oblasti.

1. Udržujte strunovou hlavu, plastové nožičky nebo vyžínací strunu rovnoběžně se zemí a nad povrchem.
2. Uvedte výrobek do plných otáček.
3. Pohybujte sekacím nástavcem ze strany na stranu a odstraňte tak trávu.



VÝSTRAHA: Vyčistěte kryt sekacího nástavce po každé montáži nových plastových nožičků nebo vyžínací struny, abyste eliminovali nevyvážení a zabránili vibracím v rukojetích. Proveďte také kontrolu ostatních dílů sekacího nástavce a v případě potřeby jej vyčistěte.

Vyžínání v blízkosti objektů

1. Stáhněte dolů ramínko na ochranu rostlin. (Obr. 52)

2. Používejte ramínko na ochranu rostlin pro prevenci poškození jiných předmětů. (Obr. 53)

3. Stiskněte uvolňovací tlačítka na baterii a vyjměte baterii z výrobku. (Obr. 54)

Zastavení výrobku

1. Uvolněte páčku spínače a pojistku páčky spínače.
2. Stiskněte vypínač, dokud zelená kontrolka LED nezhasne.

Výměna plastových nožičků nebo vyžínací struny

Viz poslední stránky tohoto návodu k používání.

Údržba

Úvod



VÝSTRAHA: Než začnete na výrobku provádět údržbu, přečtete si pozorně kapitolu o bezpečnosti.

Níže je uveden seznam kroků údržby, které musíte provést na výrobku. Další informace jsou uvedeny v části *Popis výrobku na strani 44*.

Plán údržby



VÝSTRAHA: Před prováděním údržby vyjměte baterii.

Údržba	Denně	Týdně	Měsíčně
Očistěte vnější povrch výrobku suchým hadříkem. Nepoužívejte vodu.	X		
Ujistěte se, že tlačítko pro spouštění a zastavení správně funguje a není poškozené.	X		
Zkontrolujte, zda páčka spínače a její pojistka fungují bezpečně.	X		
Ujistěte se, že rukojeti jsou suché a čisté.	X		
Zkontrolujte, zda není kryt sekacího nástavce poškozený. Poškozený kryt sekacího nástavce je nutné vyměnit.	X		
Zkontrolujte, zda rukojeť a řídicí rukojeť nejsou poškozené a zda jsou správně připevněné.	X		
Zkontrolujte zajišťovací mechanismus teleskopické hřídele. Další informace jsou uvedeny v části <i>Kontrola zajišťovacího mechanismu teleskopické hřídele na strani 55</i> .	X		
Zkontrolujte nabíječku a ujistěte se, že funguje správně a není poškozená.	X		
Zkontrolujte, zda není baterie poškozená.	X		
Zkontrolujte, zda je baterie nabitá.	X		
Zkontrolujte, zda není nabíječka baterií poškozená.	X		
Zkontrolujte, zda jsou externí šrouby a matice dotažené.		X	
Ujistěte se, že tlačítka pro uvolnění baterie na bateriích fungují správně a že drží baterii ve výrobku.		X	
Zkontrolujte, zda je v cívce strunové hlavy mazivo.		X	
Vyčistěte a zkontrolujte spojení mezi baterií a výrobkem.			X
Vyčistěte a zkontrolujte spojení mezi baterií a nabíječkou.			X

Kontrola baterie a nabíječky baterií

1. Zkontrolujte, zda baterie nevykazuje příznaky poškození, např. praskliny.
2. Zkontrolujte, zda nabíječka baterií nevykazuje příznaky poškození, např. praskliny.
3. Zkontrolujte, zda není propojovací kabel nabíječky baterií poškozený a zda na něm nejsou praskliny.

Čištění výrobku, baterie a nabíječky baterií

1. Po použití vyčistěte výrobek suchou utěrkou.
2. Vyčistěte baterii a nabíječku baterií suchou utěrkou. Udržujte v čistotě vodičí kolejničky baterie.
3. Před vložením baterie do nabíječky baterií nebo výrobku zkontrolujte, zda jsou svorky na baterii a nabíječce baterií čisté.

Kontrola a výměna hlavy Tri-Cut

1. Zkontrolujte, zda není hlava Tri-Cut poškozená nebo naprasklá.
2. Odmontujte hlavu Tri-Cut. *Viz část „Demontáž hlavy Tri-Cut“ na poslední straně návodu k používání.*
3. Sestavte hlavu Tri-Cut. Další informace jsou uvedeny v části *Změna sekacího nástavce na straně 51.*

Kontrola zajišťovacího mechanismu teleskopické hřídele

1. Zkontrolujte zajišťovací mechanismus teleskopické hřídele.
2. Upravte utažení. (Obr. 55)

Odstraňování problémů

Klávesnice

Obrazovka LED	Možné závady	Možná řešení
Chybová kontrolka LED bliká.	Přetížení	Sekací nástavec se nemůže volně pohybovat. Uvolněte řezací nástavec.
	Odchylka teploty	Nechte výrobek vychladnout.
Výrobek nespouští.	Stiskněte páčku spínače a současně stiskněte tlačítko spouštění.	Zastavte výrobek uvolněním páčky spínače.
Chybová kontrolka LED se rozsvítí červeně.	U výrobku je nezbytné provést servis.	Obraťte se na servisního prodejce.

Baterie

LED displej	Možné závady	Možná akce
Zelená kontrolka LED bliká.	Nízké napětí baterie.	Nabijte baterii.
Chybová kontrolka LED bliká.	Odchylka teploty.	Baterii používejte při teplotě -10 až 40°C (14 až 104°F).
	Příliš vysoké napětí.	Zkontrolujte, zda napětí elektrické sítě odpovídá hodnotě uvedené na typovém štítku výrobku. Vyměňte baterii z nabíječky.
Chybová kontrolka LED svítí.	Příliš velký rozdíl napětí článků (1 V).	Obraťte se na servisního prodejce.

Nabíječka baterií

Problém	Možné závady	Možné řešení
Kontrolka LED dobíjení svítí červeně.	Trvalá chyba nabíječky baterií.	Obraťte se na svého prodejce.
Kontrolka LED dobíjení bliká zeleně.	Teplotní odchylka – baterie je příliš studená nebo příliš horká pro použití nebo nabíjení.	Nechte baterii vychladnout nebo zahřát. Když má baterie správnou teplotu, lze ji znovu použít nebo nabít. Nabíječku baterií používejte při okolních teplotách v rozsahu 5 až 40 °C.
Kontrolka LED dobíjení bliká červeně.	Vadná baterie.	Obraťte se na svého prodejce.

Přeprava, skladování a likvidace

Přeprava a skladování

- Dodané Li-ion baterie podléhají požadavkům legislativy o nebezpečném zboží.
- Dodržujte zvláštní požadavky uvedené na obalu a označení pro komerční přepravu, platí i pro třetí strany a dopravce.
- Než odešlete výrobek, promluvte si s osobou speciálně vyškolenou ohledně manipulace s nebezpečnými materiály. Dodržujte platné celostátní předpisy.
- Před vložením baterie do obalu zalepte rozpojené kontakty páskou. Vložte baterii do obalu a zajistěte ji proti pohybu.
- Před přepravou nebo uskladněním vyjměte baterii.
- Uložte baterii a nabíječku baterií na místo, které je suché a chráněné před vlhkostí a mrazem.
- Neskladujte baterii v místech, kde může docházet k výbojům statické elektřiny. Neskladujte baterii v kovovém obalu.
- Baterii skladujte na místě, kde je teplota v rozsahu 5 až 25 °C a mimo přímé sluneční světlo.
- Nabíječku baterií skladujte na místě, kde je teplota v rozsahu 5 až 45 °C a mimo přímé sluneční světlo.
- Nabíječku baterií používejte pouze při okolních teplotách v rozsahu 5 až 40 °C.

- Před dlouhodobým uskladněním se ujistěte, že je baterie nabitá na 30 až 50 %.
- Uložte baterii a nabíječku baterií do uzavřené a suché místnosti.
- Skladujte baterii mimo nabíječku baterií. Nedovolte, aby se děti nebo neoprávněné osoby dotýkaly zařízení. Uchovávejte zařízení na místě, které lze uzamknout.
- Před dlouhodobým skladováním výrobku jej vyčistěte a proveďte kompletní údržbu.
- Před přepravou a uskladněním umístěte na výrobek přepravní kryt pro prevenci zranění a poškození.
- Během přepravy musí být výrobek bezpečně upevněný.

Likvidace baterie, nabíječky baterií a výrobku

Symbols na produktu nebo obalu znamenají, že tento produkt není domácí odpad. Odevzdejte jej ve stanici pro recyklaci elektrických a elektronických zařízení. To pomůže eliminovat nebezpečí poškození životního prostředí a zdraví osob.

Další informace o možnostech recyklace vašeho produktu získáte od místních úřadů, služby svozu domovního odpadu nebo prodejce.

Technické údaje

Technické údaje

	215iL-TC
Motor	
Typ motoru	BLDC

	215iL-TC
Otáčky výstupního hřídele, ot/min	6800
Šířka sečení, mm	255
Hmotnost	
Hmotnost bez baterie, kg	2,9
Emise hluku ⁷	
Hladina akustického výkonu, změřená dB (A)	90,8
Hladina akustického výkonu, zaručená L _{WA} dB (A)	93
Hladiny hluku ⁸	
Ekvivalentní hladina akustického tlaku v úrovni uší obsluhy, změřená podle normy IEC 62841-4-4, dB(A)	81,3
Úrovně vibrací ⁹	
Hladiny vibrací v rukojetích, měřené podle normy IEC 62841-4-4, m/s ²	3/2,7
Vybaveno strunovou hlavou (originální), vpředu/vzadu	

Baterie schválené pro výrobek

Baterie	BLi10		BLi20		40-B70	40-B140
Typ	Lithium-iontová		Lithium-iontová		Lithium-iontová	Lithium-iontová
Kapacita baterie, Ah	Viz typový štítek baterie		Viz typový štítek baterie		Viz typový štítek baterie	Viz typový štítek baterie
Jmenovité napětí, V	36	36,5	36	36,5	36	36
Hmotnost, kg	0,7	0,7	1,2	1,2	0,8	1,25

Nabíječky baterií schválené pro výrobek

Nabíječka baterií	QC80	40-C80
Síťové napětí, V	100–240	100–240
Frekvence, Hz	50–60	50–60
Výkon, W	100	72

⁷ Emise hluku do okolního prostředí měřené jako akustický výkon (L_{WA}) v souladu se směrnicí 2000/14/ES. Rozdíl mezi garantovaným a měřeným akustickým výkonem je v tom, že garantovaný akustický výkon rovněž zahrnuje rozptyl výsledků měření a rozdíly mezi různými výrobky téhož modelu podle Směrnice 2000/14/ES.

⁸ Uváděná data pro ekvivalentní hladinu akustického tlaku pro výrobek mají typickou statistickou odchylku (standardní odchylku) 3 dB (A).

⁹ Uváděná data o úrovni vibrací mají typickou statistickou odchylku (standardní odchylku) 1,5 m/s².

Nabíječka baterií	QC80	40-C80
Výstupní napětí, V DC/ ampéry, A	36/2	43/1,6

Příslušenství

Schválené příslušenství

Schválené příslušenství	Typ	Kryt řezacího nástavce, obj. č.
Strunová hlava	R25B (struna Ø 2 mm)	529 96 69-01
Strunová hlava	Tri-Cut B (255 mm)	529 96 69-01

Prohlášení o shodě

Prohlášení o shodě EU

Společnost **Husqvarna AB**, SE-561 82 Huskvarna,
Švédsko, tel.: +46-36-146500, na svou výhradní
odpovědnost prohlašuje, že výrobek:

Popis	Akumulátorový vyžinač
Značka	Husqvarna
Typ/Model	215iL-TC
Identifikace	Výrobní čísla od roku 2025 a dále

je zcela ve shodě s následujícími směrnici a předpisy
EU:

Směrnice/nařízení	Popis
2006/42/ES	„o strojních zařízeních“
2014/30/EU	„o elektromagnetické kompatibilitě“
2000/14/ES	„týkající se emisí hluku do okolního prostředí“
2011/65/EU	„o omezení používání některých nebezpečných látek v elektrických a elektronických zařízeních“

a že byly použity následující normy nebo
technické specifikace: EN 62841-1:2015+A11:2022,
IEC 62841-4-4:2020, EN ISO 12100:2010, EN
IEC 63000:2018, EN IEC 55014-1:2021; EN IEC
55014-2:2021.

Oznámený subjekt: 0036 TÜV SÜD Industrie Service
GmbH, Westendstraße199,80686 München,Germany
obdržel osvědčení o shodě se směrnicí rady
2000/14/ES, postup posouzení shody: Dodatek VI.

Informace o emisích hluku najdete v části *Technické
údaje na strani 56*.

Huskvarna, 2025-01-10



Claes Losdal, manažer výzkumu a vývoje, Husqvarna
AB

Osoba odpovědná za technickou dokumentaci



Indhold

Indledning.....	60	Transport, opbevaring og bortskaffelse.....	72
Sikkerhed.....	61	Tekniske data.....	73
Montering.....	67	Tilbehør.....	74
Drift.....	68	Overensstemmelseserklæring.....	75
Vedligeholdelse.....	70	Appendix	478
Fejlfinding.....	71		

Indledning

Produktbeskrivelse

Husqvarna 215iL-TC er en batteridrevet græstrimmer med elektrisk motor.

Der arbejdes konstant på at øge din sikkerhed og effektivitet under drift. Spørg serviceforhandleren for at få yderligere oplysninger.

Anvendelsesformål

Produktet anvendes med ikke-metalliske plastknive. Brug ikke produktet til andre opgaver end til at skære ukrudt, græs eller lignende blød vegetation.

Produktoversigt

(Fig. 1)

1. Trimmerhoved Tri-Cut
2. Skæreudstyrsskærm
3. Aksel
4. Justering af aksel (teleskop)
5. Loophåndtag
6. Tastatur
7. Tastaturets advarselsindikator
8. Start/stop-knap
9. SavE-knap
10. Strømdløser
11. Strømdløserlås
12. Tænd og advarselsindikator
13. Stik
14. Batterioplader 40-C80
15. Blomsterbeskyttelse
16. Batteriets advarselsindikator
17. Batteristatus
18. Batteriindikator-knap
19. Knapper til udløsning af batteri
20. Batteri
21. Kombinationsværktøj
22. Medbringerhjul
23. Brugervejledning

Bemærk: National lovgivning kan definere begrænsninger på betjeningen af produktet.

Brug kun produktet med tilbehør, der er godkendt af producenten. Se *Tilbehør på side 74*.

Symboler på produktet

- (Fig. 2) ADVARSEL: Dette produkt kan være farligt og forårsage alvorlig personskade eller død for brugeren eller andre. Vær forsigtig, og brug produktet korrekt.
- (Fig. 3) Læs brugervejledningen omhyggeligt igennem, og sørg for at have forstået instruktionerne, inden du bruger produktet.
- (Fig. 4) Tag beskyttelsesbriller og høreværn på.
- (Fig. 5) Må ikke udsættes for regn.
- (Fig. 6) Emission af støj i overensstemmelse med miljømærket i henhold til EU (herunder New South Wales-lovgivning) samt britiske direktiver og forordninger. Data om emission af støj findes på maskinens mærkat og i kapitlet Tekniske data. Gælder kun, når produktet er udstyret med en trimmertråd.
- (Fig. 7) Pas på genstande, der slynges ud.
- (Fig. 8) Frakobl batteriet før vedligeholdelse.

(Fig. 9) Produktet og produktemballagen er ikke almindeligt husholdningsaffald. Aflever det på en genbrugsstation til elektrisk og elektronisk udstyr.

(Fig. 10) Produktet er i overensstemmelse med gældende EU-direktiver.

(Fig. 16) Afstanden mellem maskinen og omkringstående skal være mindst 15 m.

(Fig. 17) Brug ikke metalknive.

yyyywwxxxx

Typeskiltet eller laserskriften viser serienummeret. **yyyy** er produktionsåret, og **ww** er produktionsugen.

(Fig. 11) Produktet er i overensstemmelse med gældende UK-bestemmelser.

(Fig. 12) Jævnstrøm.

Symboler på batteriet og/eller på batteriopladeren

(Fig. 18) Aflever produktet på en genbrugsstation for elektrisk og elektronisk udstyr. (Gælder kun Europa)

(Fig. 13) Fejlsikker transformere.

(Fig. 14) Brug og opbevar kun batteriopladeren indendørs.

(Fig. 15) Dobbelt isolering.

Skader på produktet

Vi er ikke ansvarlige for skader på vores produkt, hvis:

- produktet er forkert repareret.
- produktet er repareret med dele, der ikke er fra producenten eller ikke er godkendt af producenten
- produktet har tilbehør, der ikke er fra producenten eller ikke er godkendt af producenten.
- produktet ikke er repareret på et godkendt servicecenter eller af en godkendt myndighed.

Sikkerhed

Sikkerhedsdefinitioner

Advarsler, forholdsregler og bemærkninger bruges til at pege på særligt vigtige dele af brugsanvisningen.



ADVARSEL: Bruges, hvis føreren udsætter sig selv eller omkringstående personer for risiko for personskade eller dødsfald ved tilsidesættelse af instruktionerne i brugsanvisningen.



BEMÆRK: Bruges, hvis der er risiko for skader på produktet, andre materialer eller det omgivende område ved tilsidesættelse af instruktionerne i brugsanvisningen.

Bemærk: Bruges til at give yderligere oplysninger, der er nødvendige i en given situation.

Generelle sikkerhedsanvisninger for maskinen



ADVARSEL: Læs alle sikkerhedsanvisninger, instruktioner,

illustrationer og specifikationer, der følger med denne maskine. Hvis du ignorerer de nedenfor anførte instruktioner, kan det medføre elektrisk stød, brand og/eller alvorlige skader.

Opbevar alle advarsler og instruktioner til senere brug.

Bemærk: Det i sikkerhedsanvisningerne brugte udtryk "maskine" henviser til eldrevet værktøj (med ledning) og til elværktøj med batteri (trådløst).

Sikkerhed i arbejdsområdet

- **Hold arbejdsområdet rent og godt oplyst.** Rodede eller mørke områder er en invitation til ulykker.
- **Undlad at arbejde med det elektriske værktøj i eksplosive omgivelser, hvori der befinder sig brandbare væsker, gas eller støv.** Maskiner frembringer gnister, som kan antænde støvet eller dampene.
- **Hold børn og andre personer borte under brugen af en maskine.** Distraction kan få dig til at miste styringen.

Elektrisk sikkerhed

- **Maskinens stik skal passe ind i stikdåsen. Man må aldrig ændre på stikket. Undlad at bruge adaptere sammen med jordforbundne maskiner.** Uændrede stik og passende stikkontakter reducerer risikoen for elektrisk stød.
- **Undgå kropskontakt med jodede genstande som f.eks. rør, radiatorer, komfurer og køleskabe.** Der er øget risiko for elektrisk stød, hvis din krop har forbindelse til jord.
- **Udsæt ikke maskiner for regn eller våde omgivelser.** At der trænger vand ind i en maskine, øger risikoen for et elektrisk stød.
- **Behand kablet forsigtigt. Benyt aldrig ledningen til at bære eller trække maskinen eller til at trække stikket ud. Hold kablet væk fra varme, olie, skarpe kanter eller bevægelige dele.** Beskadigede eller filtrerede kabler forøger risikoen for elektrisk stød.
- **Hvis du arbejder med en maskine udendørs, bør du kun bruge forlængerledninger, som også er beregnet til udendørs brug.** Brug af et kabel, der er egnet til udendørs brug, reducerer risikoen for elektrisk stød.
- **Hvis det ikke kan undgås at arbejde med en maskine under fugtige forhold, skal der benyttes en elforsyning, som er beskyttet med en fejlstrømsafbryder (RCD).** Brug af et kabel med fejlstrømsafbryder nedsætter risikoen for elektrisk stød.

Personlig sikkerhed

- **Vær opmærksom, hold øje med, hvad du foretager dig, og brug sund fornuft, når du betjener en maskine. Undlad at bruge en maskine, når du er træt eller påvirket af narko, alkohol eller medicin.** Et øjeblik uopmærksomhed under brugen af en maskine kan føre til alvorlige personskader.
- **Bær personligt beskyttelsesudstyr. Brug altid beskyttelsesbriller.** Beskyttelsesudstyr som støvmaske, skridsikre sikkerhedssko, beskyttelseshjelm eller høreværn, som benyttes til de relevante formål vil nedsætte risikoen for personskade.
- **Sørg for at forhindre uønsket start af værktøjet. Sørg for, at alt er slukket, før du sætter dets stik i stikdåsen og/eller batteripakken, løfter maskinen op eller bærer det.** Hvis du har fingeren på kontakten, når du bærer maskiner eller sætter stikket i stikdåsen, mens maskinerne er tændt, kan dette føre til ulykker.
- **Fjern justeringsværktøjer eller skruenøgler, før du tænder for maskinen.** Et værktøj eller en nøgle, der sidder i en roterende del af maskinen, kan medføre personskader.
- **Stræk dig ikke for langt. Sørg for altid at have godt fodfæste og god balance.** Derved kan du bedre kontrollere maskinen i uventede situationer.
- **Bær det korrekte tøj. Undgå at bære løstsiddende tøj eller smykker. Hold hår og tøj væk fra bevægelige**

dele. Løst tøj, smykker eller langt hår kan blive fanget af bevægelige dele.

- **Hvis der forefindes udstyr til støvudsugning og -opsamling, skal du sikre, at det er tilsluttet, og at det bruges korrekt.** Brug af støvopsamling kan nedbringe støvelaterede farer.
- **Lad dig ikke blænde af falsk sikkerhed, og bryd ikke sikkerhedsreglerne for maskiner, selv hvis du er fortrolig med maskinen efter mange anvendelser.** En uforsigtig handling kan give alvorlige skader på en brøkdæl af et sekund.

Maskinens brug og behandling

- **Undlad at tvinge maskinen. Brug den maskine, der er beregnet til dit arbejde.** Med den passende maskine arbejder du bedre og mere sikkert ved den norm, som den er konstrueret til.
- **Undlad at bruge en maskine, hvis kontakt er i stykker.** En maskine, der ikke længere kan tændes eller slukkes, er farlig og skal repareres.
- **Tag stikket ud af stikkontakten og/eller fjern batterienheden, hvis den kan tages ud, fra maskinen, før du foretager justeringer, skifter tilbehør eller sætter dem til opbevaring.** Denne sikkerhedsregel forhindrer, at maskinen tændes ved en fejl.
- **Opbevar maskiner, der ikke bruges, udenfor børns rækkevidde. Lad ikke personer, som ikke er fortrolige med maskinerne eller ikke har læst disse anvisninger, bruge maskinerne.** Maskiner er farlige, hvis de bruges af uerfarne personer.
- **Vedligehold maskiner og tilbehør. Kontrollér, om bevægelige dele sidder forkert eller binder, om dele er ødelagt, og om der foreligger nogen anden tilstand, som kan påvirke maskinens funktion. Få de skadede maskiner repareret, før apparatet bruges.** Årsagen til mange ulykker er dårligt vedligeholdte maskiner.
- **Hold skæreprodukter skarpe og rene.** Korrekt vedligeholdte skæremaskiner med skarpe klinger er mindre tilbøjelige til at binde og er lettere at styre.
- **Benyt maskinen, tilbehøret, værktøjsbits osv. i overensstemmelse med disse instruktioner, og tag højde for arbejdsforholdene og det arbejde, der skal udføres.** At bruge maskinen til andet, end hvad den er beregnet til, kan medføre farlige situationer.
- **Hold håndtag og gribeplader tørre, rene og frie for olie og fedt.** Glatte håndtag og håndtagsflader gør umuliggør en sikker betjening og kontrol af det elektriske værktøj i uforudsete situationer.

Brug og vedligeholdelse af batteridrevet maskine

- **Genoplad kun med den oplader, som producenten foreskriver.** En oplader, der egner sig til en bestemt type batteripakke, kan medføre risiko for brand, hvis den benyttes sammen med en anden batteripakke.

- **Brug kun maskiner med specifikt angivne batteripakker.** Brug af andre batterienheder medfører risiko for skader og brand.
- **Når batteripakken ikke anvendes, skal du holde den væk fra andre metalgenstande, såsom papir, clips, mønter, nøgler, søm, skruer eller andre små metalgenstande, der kan kortslutte polerne.** Kortslutning af batteripolerne kan forårsage forbrændinger eller brand.
- **Under ugunstige forhold kan der sprøjte væske ud fra batteriet, undgå kontakt.** Hvis væsken alligevel berøres, skal der skylles med vand. Hvis du får væske i øjnene, skal du søge læge. Væske, der siver ud fra batteriet, kan medføre irritation eller forbrænding.
- **Brug ikke en batteripakke eller en maskine, som er beskadiget eller modificeret.** Beskadigede eller modificerede batterier kan opføre sig uforudsigeligt og medføre brand, eksplosion eller risiko for personskade.
- **Udsæt ikke en batteripakke eller en maskine for brand eller høje temperaturer.** Udsættelse for brand eller temperatur over 130 °C / 265 °F kan forårsage eksplosion.
- **Følg alle opladningsinstruktioner, og oplad ikke batteripakken eller maskinen uden for det temperaturområde, der er angivet i instruktionerne.** Forkert opladning eller opladning ved temperaturer uden for det specificerede område kan beskadige batteriet og øge risikoen for brand.

Service

- **Lad kun kvalificeret fagpersonale reparere din maskine og kun med originale reservedele.** Dermed sikrer du dig, at maskinens sikkerhed bevares.
- **Der må aldrig udføres service på beskadigede batteripakker.** Service på batteripakker bør kun udføres af producenten eller autoriserede serviceudbydere.

Sikkerhedsadvarsler vedrørende græstrimmere

- **Brug ikke maskinen i dårligt vejr, specielt hvis der er risiko for lynnedslag.** Dette mindsker risikoen for at blive ramt af lynnedslag.
- **Undersøg grundigt det område, hvor maskinen skal bruges, for at se, om der er dyr.** Vilde dyr kan komme til skade af maskinen under betjening.
- **Undersøg grundigt det område, hvor maskinen skal bruges, og fjern alle sten, pinde, kabler, knogler og andre uvedkommende genstande.** Udkastede genstande kan forårsage alvorlige personskader.
- **Før maskinen tages i brug, skal du altid visuelt kontrollere, at klipperen eller kniven og klipperen eller knivenheden ikke er beskadigede.** Beskadigede dele øger risikoen for personskade.
- **Overhold instruktionerne for udfikning af tilbehør.** Forkert tilspændte fastgørelsesmøtrikker eller -bolte på kniven kan enten beskadige kniven eller medføre, at den løsner sig.
- **Bær øjen-, øre-, hoved- og håndbeskyttelse.** Passende beskyttelsesudstyr vil reducere personskade som følge af flyvende genstande eller utilsigtet kontakt med klipperen eller træde.
- **Brug altid skridsikkert og beskyttende fodtøj, når du betjener maskinen. Betjen ikke maskinen med bare fødder eller iført åbne sandaler.** Dette reducerer risikoen for, at fødderne kommer i kontakt med bevægelige klipperen eller træde.
- **Bær altid lange bukser, når du betjener maskinen.** Blottaget hud øger sandsynligheden for skader fra udslyngede genstande.
- **Hold omkringstående væk, mens maskinen betjenes.** Udkastede grene og lignende kan medføre alvorlig personskade.
- **Brug altid to hænder, når maskinen betjenes.** Hvis du holder maskinen med begge hænder, vil det forhindre tab af kontrol.
- **Hold kun maskinen i de isolerede grebsoverflader, da tråden eller kniven kan komme i kontakt med skjulte ledninger.** Hvis tråden eller knive kommer i kontakt med en strømførende ledning, kan det medføre, at maskinens fritliggende metaldele også bliver strømførende, og at brugeren får elektrisk stød.
- **Sørg altid for at have et godt fodfæste, og betjen kun maskinen, når du står på jorden.** Glatte eller ustabile overflader kan medføre tab af balance eller kontrol over maskinen.
- **Betjen ikke maskinen på meget stejle skråninger.** Dette reducerer risikoen for tab af kontrol og for at glide og falde, hvilket kan medføre personskade.
- **Når du arbejder på skråninger, skal du altid være sikker på, at du står godt fast. Arbejd altid på tværs af skråninger, aldrig op eller ned, og udvis stor forsigtighed, når du skifter retning.** Dette reducerer risikoen for tab af kontrol og for at glide og falde, hvilket kan medføre personskade.
- **Hold alle kroppsdele væk fra klipperen, tråden eller kniven, når maskinen er i drift. Før du starter maskinen, skal du sørge for, at klipperen, linje eller kniven ikke kommer i kontakt med noget.** Et øjeblikvis uopmærksomhed under betjening af maskinen kan resultere i alvorlig personskade for dig selv eller andre.
- **Betjen ikke maskinen over taljehøjde.** Det hjælper med at forhindre utilsigtet kontakt med klipperen eller kniven og giver bedre styring af maskinen i uventede situationer.
- **Hvis du klipper en busk eller unge træer, som er under spænding, skal du være opmærksom på kickback.** Når spændingen i træfibrene frigives, kan

den belastede busk eller træet ramme operatøren og/eller kaste maskinen ud af kontrol.

- **Udvis stor forsigtighed ved beskæring af buske og yngre træer.** Det slanke materiale kan gribe fat i kniven og blive pisket mod dig eller trække dig ud af balance.
- **Bevar kontrollen over maskinen, og rør ikke ved fræsere, tråde eller knive og andre farlige bevægelige dele, mens de stadig er i bevægelse.** Dette reducerer risikoen for personskade som følge af bevægelige dele.
- **Transporter maskinen slukket og væk fra kroppen.** Korrekt håndtering af maskinen vil reducere risikoen for utilsigtet kontakt med en klipper, tråd eller kniv, der er i bevægelse.
- **Brug kun udskiftningsknive, -tråde, -klippehoveder og -knive, som er angivet af producenten.** Forkerte reservedele kan medføre risiko for brud og personskade.
- **Når du fjerner fastsiddende materiale eller udfører service på maskinen, skal du sørge for, at kontakten er slået fra, og at batteripakken er taget ud.** Uventet start af maskinen, mens der fjernes fastsiddende materiale eller udføres vedligeholdelse, kan resultere i alvorlig personskade.

Kontrol før start

- Batteriet skal altid udtages for at forhindre, at produktet starter utilsigtet. Batteriet skal altid udtages, før produktet vedligeholdes.
- Før brug af produktet og efter stød eller tab, skal maskinen kontrolleres for slitage og skader og om nødvendigt repareres.
- Kontrollér arbejdsområdet. Fjern alle løse genstande som for eksempel sten, knust glas, søm, ståltråd, snor og lignende, som kan slynges ud eller sno sig ind i klingens eller klingskærmen.
- Kontrollér motoren for snavs og revnedannelse. Rengør motoren for græs og blade med en børste. Handsker skal benyttes, når det er nødvendigt.
- Kontrollér, at trimmerhovedet er sikkert påsat trimmeren.
- Kontrollér produktet, så det er i optimal stand. Kontrollér, at alle møtrikker og bolte er spændt.
- Kontrollér, at trimmerhovedet og klipperskærmen er intakte og fri for revner. Udskift trimmerhovedet eller klipperskærmen, hvis de har været udsat for slag eller er revnet. Brug altid den anbefalede skærm for det pågældende klippeudstyr. Se kapitlet Tekniske data.
- Brugeren af produktet skal sørge for, at ingen mennesker eller dyr kommer nærmere end 15 meter under arbejdet. Hvis flere brugere arbejder i det samme område, skal sikkerhedsafstanden være mindst 15 meter.
- Udfør en generel inspektion af produktet før brug. Se vedligeholdelsesskemaet.

- Nationale eller lokale bestemmelser kan regulere brugen. Overhold de gældende bestemmelser.

Brug altid din sunde fornuft

Det er ikke muligt at tage højde for alle de situationer, du kan tænkes at komme ud for. Udvis derfor altid forsigtighed, og brug din sunde fornuft. Undgå situationer, som du ikke synes, du er tilstrækkeligt kvalificeret til. Hvis du stadig føler dig usikker med hensyn til fremgangsmåden, efter at du har læst disse anvisninger, skal du kontakte en ekspert, før du fortsætter.



ADVARSEL: Tillad aldrig børn at anvende eller være i nærheden af maskinen. Da maskinen er nem at starte, kan børn muligvis starte maskinen, hvis de ikke holdes under opsyn. Dette kan indebære risiko for alvorlige personskader. Tag derfor batteriet ud, når maskinen ikke er under opsyn.

Generelle sikkerhedsinstruktioner



ADVARSEL: Læs følgende advarselsinstruktioner, inden du bruger produktet.

- Batteriet skal udtages for at forhindre, at produktet starter utilsigtet.
- Dette produkt er et farligt værktøj, hvis du ikke er forsigtig, eller hvis du bruger produktet forkert. Dette produkt kan forårsage alvorlig personskade eller død for brugeren eller andre.
- Brug ikke produktet, hvis det er blevet ændret fra den oprindelige specifikation. Du må ikke ændre dele af produktet uden producentens godkendelse. Brug kun reservedele, der er godkendt af producenten. Forkert vedligeholdelse kan medføre personskader eller dødsfald.
- Kontrollér produktet inden brug. Se *Sikkerhedsanordninger på produktet på side 65* og *Produktoversigt på side 60*. Brug ikke et produkt, der er beskadiget eller ikke fungerer korrekt. Gennemfør sikkerhedskontrol, vedligeholdelse og service som beskrevet i denne brugsanvisning.
- Børn skal være under opsyn for at sikre, at de ikke leger med produktet. Lad ikke børn eller personer, som ikke er trænet i brugen af produktet og/eller batteriet, bruge eller udføre service på den/det. Lokal lovgivning kan stille krav til operatørens alder.
- Opbevar produktet i et afåst område utilgængeligt for børn eller personer, som ikke er godkendt.
- Opbevar produktet utilgængeligt for børn.
- Produktets oprindelige udformning må under ingen omstændigheder ændres uden producentens samtykke. Brug altid originalt tilbehør. Ikke-autoriserede ændringer og/eller ikke-godkendt

tilbør kan medføre alvorlige skader eller døden for brugeren og andre.

- Den angivne samlede vibrationsværdi er målt i henhold til en standardtestmetode og anvendes til at sammenligne værktøj.
- Den angivne samlede vibrationsværdi kan endvidere anvendes i en foreløbig vurdering af vibrationerne.
- Vibrationsemissionen ved den faktiske brug af elværktøjet kan afvige fra den angivne samlede værdi afhængigt af, hvordan værktøjet anvendes. Operatører bør identificere sikkerhedsforanstaltninger, der er baseret på en vurdering af vibrationerne under de faktiske brugsforhold (der tager hensyn til alle dele af drifts cyklussen, som f.eks. når værktøjet er slukket, og når det kører i tomgang), for at beskytte sig selv.

Bemærk: Nationale eller lokale love kan regulere brugen. Overhold de gældende bestemmelser.

Personligt beskyttelsesudstyr



ADVARSEL: Læs følgende advarelsinstruktioner, inden du bruger produktet.

- Brug godkendt personligt beskyttelsesudstyr, når du bruger produktet. Personligt beskyttelsesudstyr udelukker ikke fuldstændigt risikoen for personskader, men det mindsker graden af skaderne i tilfælde af, at der skulle ske en ulykke. Lad forhandleren hjælpe dig med at vælge det rigtige udstyr.
- Brug godkendt høreværn.

(Fig. 19)

- Brug godkendt øjenværn. Hvis du bruger et ansigtssvævn, skal du også bruge godkendte beskyttelsesbriller. Godkendte beskyttelsesbriller skal være i overensstemmelse med den amerikanske standard ANSI Z87.1 eller EU-standardEN 166.

(Fig. 20)

- Brug om nødvendigt beskyttelseshandsker, f.eks. ved montering, eftersyn og rengøring af skæreudstyret.

(Fig. 21)

- Brug beskyttelsessko med stålsnude og skridsikre såler.

(Fig. 22)

- Brug beklædning, der er lavet af et stærkt materiale. Brug altid kraftige lange bukser og lange ærmer. Brug ikke løstsiddende tøj, som kan sætte sig fast i buske og grene. Brug ikke smykker, korte bukser eller sandaler. Du må ikke gå med bare fødder. Sæt håret op i en sikker højde, dvs. over skulderen.
- Hav førstehjælpsudstyr i nærheden.

(Fig. 23)

Sikkerhedsanordninger på produktet



ADVARSEL: Læs følgende advarelsinstruktioner, inden du bruger produktet.

I dette afsnit forklares mere om produktets sikkerhedsfunktioner og deres formål, samt hvordan kontrol og vedligeholdelse skal udføres for at sikre, at de fungerer. Se anvisningerne under afsnittet *Indledning på side 60* for at finde ud af, hvor disse dele er placeret på dit produkt.

Produktets levetid kan forkortes og risikoen for ulykker kan øges, hvis vedligeholdelsen ikke udføres korrekt, og hvis service og/eller reparation ikke udføres fagligt korrekt. Kontakt det nærmeste serviceværksted for at få yderligere oplysninger.



ADVARSEL: Brug aldrig et produkt med beskadiget sikkerhedsudstyr. Produktets sikkerhedsudstyr skal kontrolleres og vedligeholdes som beskrevet i dette afsnit. Klarer produktet ikke alle kontrollerne, skal du kontakte et serviceværksted for at få den repareret.



BEMÆRK: Al service og reparation af maskinen kræver specialuddannelse. Dette gælder især maskinens sikkerhedsudstyr. Hvis maskinen ikke klarer nogen af de nedennævnte kontroller, skal du kontakte dit serviceværksted. Ved at købe nogle af vores produkter kan du være sikker på at få en faglig korrekt reparation og service. Hvis maskinen er købt et sted, som ikke er en af vores serviceydende forhandlere, skal du spørge dem efter det nærmeste serviceværksted.

Sådan kontrolleres tastaturet

1. Tryk og hold nede på start/stop-knappen (A). (Fig. 24)
 - a) Produktet er tændt, når lysdioden (B) er tændt.
 - b) Produktet er slukket, når lysdioden (B) er slukket.
2. Se *Tastatur på side 71*, hvis advarelsindikatoren (C) bliver tændt eller blinker.

Sådan kontrolleres låsen på strømdløseren

Låsen på strømdløseren forhindrer utilsigtet start. Når du trykker på låsen på strømdløseren (A), frigøres strømdløseren (B). Når grebet om håndtaget slippes, flyttes både strømdløseren og låsen på strømdløseren tilbage i deres udgangspositioner. (Fig. 25)

1. Kontrollér, at strømudløseren er låst, når strømudløseren er i udgangsstillingen. (Fig. 26)
2. Tryk på strømudløseren, og sørg for, at den går tilbage til udgangsstillingen, når du slipper den. (Fig. 27)
3. Kontrollér, at strømudløseren og låsen bevæger sig frit, og at returfederen fungerer korrekt. (Fig. 28)
4. Start produktet. Se *Sådan startes produktet på side 69*.
5. Kør med fuld hastighed.
6. Slip strømudløseren, og sørg for, at skæreudstyret standser helt.

Sådan kontrolleres skæreudstyrsskærmen



ADVARSEL: Brug ikke skæreudstyret uden en godkendt og korrekt monteret skæreudstyrsskærm. Brug altid den anbefalede beskyttelse til det skæreudstyr, du bruger, se *Tekniske data på side 73*. Hvis der monteres forkert eller defekt skæreudstyrsskærm, kan det forårsage alvorlig personskade.

Skæreudstyrsskærmen standser genstande, som udkastes i retning af brugeren. Skæreudstyrsskærmen forhindrer også skader, som kunne opstå, hvis du berører skæreudstyret.

1. Stop motoren.
2. Se efter skader, f.eks. revner.
3. Udskift skæreudstyrsskærmen, hvis den er beskadiget.

Klippeudstyr

Vælg det rigtige skæreudstyr, og udfør vedligeholdelsesarbejde på skæreudstyr for at:

- Opnå maksimal skarphed.
- Øge skæreudstyrets levetid.



ADVARSEL: Brug kun skæreudstyr sammen med den beskyttelse, som vi anbefaler! Se *Godkendt tilbehør på side 74*. Se instruktionerne til skæreudstyret for at finde den korrekte måde at indføre trimmertråden og plastikknivene på.



ADVARSEL: Beskadiget skæreudstyr kan øge risikoen for ulykker.



ADVARSEL: Stands altid motoren, inden du foretager arbejde på skæreudstyret. Denne fortsætter med at rotere, når du slipper gasreguleringen. Sørg for, at skæreudstyret er standset helt,

og frakobl batteriet fra produktet, før du påbegynder arbejdet på det.

Skæreudstyr



ADVARSEL: Sørg altid for, at trimmertråden er rullet hårdt og jævnt rundt om tromlen for at undgå skadelige vibrationer.

(Fig. 29)

- Brug kun anbefalet skæreudstyr.
- Trimmertrådens længde er vigtig. En længere trimmertråd kræver større motorstyrke end en kort med samme diameter på trimmertråden.
- Sørg for, at den klipper, som sidder på skæreudstyrsskærmen, er intakt. Dette skærer trimmertråden til den korrekte længde.
- Læg trimmertråden i blød i vand et par døgn før brug for at forlænge levetiden.

Batterisikkerhed



ADVARSEL: Læs følgende advarselsinstruktioner, inden du bruger produktet.

- Brug kun batterier fra serierne BLi og 40-B. For yderligere oplysninger, se *Tekniske data på side 73*. Batteriet er softwarekrypteret.
- Brug kun batterierne i serierne BLi og 40-B, der er genopladelige, som strømforsyning til de relaterede Husqvarna-produkter. For at undgå personskade må batteriet ikke anvendes som strømforsyning til andre produkter.
- Risiko for elektrisk stød. Tilslut ikke batteripolerne til nøgler, mønter, skruer eller andre metalgenstande. Dette kan medføre en kortslutning af batteriet.
- Undgå at bruge ikke-genopladelige batterier.
- Sæt ikke genstande ind i batteriets luftspalte.
- Hold batteriet væk fra sollys, varme og åben ild. Batteriet kan medføre forbrændinger og/eller kemiske forbrændinger.
- Hold batteriet væk fra regn og våde omgivelser.
- Hold batteriet væk fra mikrobølger og højt tryk.
- Forsøg ikke at skille batteriet ad eller ødelægge det.
- Hvis batteriet lækker, skal du sørge for, at væsken ikke kommer i kontakt med hud eller øjne. Ved berøring af væsken skal området skylles med en stor mængde vand og sæbe, hvorefter der opsøges lægehjælp. Hvis du får væske i øjnene, må du ikke gnide øjnene. Sørg for at skylle dem med rigeligt vand i mindst 15 minutter, og søg derefter lægehjælp.
- Brug batteriet i temperaturer mellem -10 °C (14 °F) og 40 °C (114 °F).

- Batteriet eller batteriopladeren må aldrig rengøres med vand. Se *Sådan rengøres produktet, batteriet og batteriopladeren på side 71*.
- Brug ikke et defekt eller beskadiget batteri.
- Opbevar batterierne væk fra metalgenstande som f.eks. søm, skruer og smykker.
- Opbevar batteriet utilgængeligt for børn.

Batteriopladersikkerhed



ADVARSEL: Læs følgende advarselsinstruktioner, inden du bruger produktet.

- Risiko for elektrisk stød eller kortslutning, hvis sikkerhedsinstruktionerne ikke overholdes.
- Brug ikke andre batteriopladere end den, der blev leveret med dit produkt. Brug kun QC80- og 40-C80-opladere når du oplader reservebatterier fra serierne BLi og 40-B.
- Forsøg aldrig at adskille batteriopladeren.
- Brug ikke en defekt eller beskadiget batterioplader.
- Løft aldrig batteriopladeren ved hjælp af ledningen. Træk stikket ud for at afbryde batteriopladeren fra stikkontakten. Træk ikke i strømkablet.
- Hold alle kabler og forlængerledninger væk fra vand, olie og skarpe kanter. Sørg for, at ledningen ikke bliver klemt i eksempelvis døre, hegn eller lignende.
- Brug ikke batteriopladeren i nærheden af brandfarlige materialer eller materialer, der kan medføre korrosion. Sørg for, at batteriopladeren ikke er dækket. I tilfælde af røgafgivelse eller brand skal batteriopladeren afbrydes fra stikkontakten.
- Oplad kun batteriet indendørs på et sted med god ventilation og beskyttet mod direkte sollys. Batteriet må ikke oplades udendørs. Oplad ikke batteriet under våde forhold.
- Brug kun batteriopladeren ved temperaturer mellem 5 °C (41 °F) og 40 °C (104 °F). Brug batteriopladeren på et sted med god ventilation, hvor den ikke udsættes for fugt eller støv.

- Sæt ikke genstande ind i batteriopladerens luftspalter.
- Forbind aldrig batteriopladerens poler med metalgenstande, da dette kan kortslutte batteriopladeren.
- Brug godkendte stikkontakter, som ikke er beskadiget. Sørg for, at batteriopladerens ledning ikke er beskadiget. Hvis der bruges forlængerledninger, skal det sikres, at forlængerledningerne ikke er beskadiget.
- Ikke-genopladelige batterier må ikke oplades i batteriopladeren.

Sikkerhedsinstruktioner for vedligeholdelse



ADVARSEL: Læs følgende advarselsinstruktioner, inden du udfører vedligeholdelse på produktet.

- Fjern batteriet, inden du udfører vedligeholdelse, anden kontrol eller samler produktet.
- Brugeren må kun udføre den form for vedligeholdelses- og servicearbejde, der beskrives i denne brugervejledning. Kontakt en servicetekniker i forbindelse med større vedligeholdelses- og serviceopgaver.
- Batteriet eller batteriopladeren må aldrig rengøres med vand. Stærke opløsningsmidler kan beskadige platen.
- Hvis du ikke udfører vedligeholdelse, reduceres levetiden for produktet og risikoen for ulykker øges.
- Der kræves særlig uddannelse til al service og reparation, især for sikkerhedsanordninger på produktet. Hvis ikke alle kontroller i denne brugsanvisning er godkendt, efter du har udført vedligeholdelse, skal du kontakte din servicetekniker. Vi garanterer, at der er professionelle reparationer og vedligeholdelse til rådighed for dit produkt.
- Brug altid kun originale reservedele.

Montering

Indledning



ADVARSEL: Læs og forstå kapitlet om sikkerhed, før du monterer produktet.

Sådan fastgøres skæreudstyrsskærmen til skæreudstyret

1. Placér skæreudstyrsskærmen mod motorhuset. (Fig. 30)
2. Kontrollér låsekroge. (Fig. 31)

3. Spænd boltene. Brug en ring- og gaffelnøgle. (Fig. 32)
4. Spænd boltene.

Sådan udskiftes skæreudstyret

1. Sæt ringgaffelnøglen ind i hullet, så akslen låses. (Fig. 33)
2. Drej skæreudstyret, og skub forsigtigt ringgaffelnøglen, indtil udgangsakslen er blokeret.
3. Drej skæreudstyret med uret for at fjerne det. Sørg for, at drevskiven er på plads, før du monterer skæreudstyret. (Fig. 34)
4. Monter det nye skæreudstyr i modsat rækkefølge. (Fig. 35) (Fig. 36)

Bemærk: Sørg for, at drevskiven er korrekt monteret, før du monterer skæreudstyret.

Sådan installeres blomsterbeskyttelsen

1. Installer blomsterbeskyttelsen i hullerne på motorhuset. (Fig. 37)
2. Kontrollér, at blomsterbeskyttelsen frit kan bevæge sig fremad og bagud. (Fig. 38)

Sådan monterer du loophåndtaget

1. Monter skruen på loophåndtaget. (Fig. 39)
2. Fastgør loophåndtaget til tilbehøret på skaftet.
3. Spænd skrueerne.
4. Juster loophåndtaget til en korrekt position. Se *Sådan justeres loophåndtaget og teleskopskaftet på side 69.*

Sådan installeres batteriopladeren 40-C80 på væggen



BEMÆRK: Brug ikke en elektrisk skruetrækker til at montere batteriopladeren på væggen. En elektrisk skruetrækker kan beskadige batteriopladeren.

1. Installer batteriopladeren på væggen med de 2 skruer (A). Brug rawplugs (B), hvis det er nødvendigt. (Fig. 40)
2. Monter de 2 skruehulspopper (C).
3. Tilslut strømkablet (D) til batteriopladeren og en stikkontakt.

Drift

Indledning



ADVARSEL: Læs og forstå kapitlet om sikkerhed, før du bruger produktet.

Før du bruger produktet

- Undersøg arbejdsområdet for at sikre, at du kender terrænet. Undersøg hældningen på jorden, og om der er forhindringer som f.eks. sten, grene og grøfter.
- Foretag en generel inspektion af produktet.
- Udfør alle sikkerhedseftersyn samt service og vedligeholdelse, som fremgår af denne instruktionsbog.
- Undersøg motoren for snavs og revnedannelse. Brug en børste til at rengøre motoren for græs og blade. Brug handsker, når det er nødvendigt.
- Undersøg trimmerhovedet og skæreudstyrsskærmen for skader og revner. Udskift trimmerhovedet og skæreudstyrsskærmen, hvis de er blevet ramt eller er revnet.
- Sørg for, at alle møtrikker og skruer er spændt.

- Sørg for, at alle dæksler, beskyttelsesskærme, håndtag og skæreudstyr er korrekt monteret og er intakte, før du starter produktet.

Batteri



ADVARSEL: Læs og forstå kapitlet om sikkerhed, før du bruger batteriet. Læs og forstå brugervejledningen for batteriet og batteriopladeren.

Opbevar batteriet og batteriopladeren ved de korrekte omgivende temperaturer.

	Omgivelsestemperatur
Betjening af produktet	-5 °C-40 °C
Opladning af batteriet	5 °C-40 °C

Batteristatus

Displayet viser status for opladningstilstand, og om der er problemer med batteriet.

(Fig. 41)

LED-indikator	Batteristatus (opladningstilstand)	
	BLI10, BLI20	40-B70, 40-B140
4 LED-lamper er tændt	N/A	Batteriet er opladet 76-100%.
3 LED-lamper er tændt	Batteriet er opladet 76-100%.	Batteriet er opladet 51-75%.
2 LED-lamper er tændt	Batteriet er opladet 51-75%.	Batteriet er opladet 26-50%.
1 LED-lampe er tændt	Batteriet er opladet 26-50%.	Batteriet er opladet 6-25%.
1 LED-lampe blinker	Batteriet er opladet 0-25%.	Batteriet er opladet 0-5%.

Sådan oplades batteriet

Oplad batteriet, hvis det er første gang, du bruger det. Et nyt batteri er kun 30 % opladet.



BEMÆRK: Tilslut batteriopladeren til et strømudtag med den spænding og frekvens, der fremgår af typeskiltet.

Batteriet oplades ikke, hvis batteriets temperatur er højere end 50 °C/122 °F.

1. Tilslut strømkablet til batteriopladeren.
2. Tilslut batteriopladeren til et jordet strømudtag. LED-indikator for opladning blinker en gang. (Fig. 42)
3. Tilslutning af batteriet til batteriopladeren. LED-indikator for opladning tændes. Oplad batteriet i maks. 24 timer. (Fig. 43)
4. Tryk på batteriindikatorknappen. Hvis alle LED-indikatorerne tændes, er batteriet fuldt opladet.
5. Træk stikket ud for at frakoble batteriopladeren fra strømudtaget. Træk ikke i strømkablet.
6. Fjern batteriet fra batteriopladeren.

Sådan tilsluttes batteriet til produktet



ADVARSEL: Brug kun det originale Husqvarna batteri i produktet.

1. Oplad batteriet helt.
2. Skub batteriet ind i batteriholderen på produktet. Batteriet låses på plads, når du hører et klik. (Fig. 44)



BEMÆRK: Hvis batteriet ikke bevæger sig let ind i batteriholderen, er batteriet ikke monteret korrekt. Det kan forårsage skader på produktet.

Sådan startes produktet

1. Tryk på start/stop-knappen, og hold den nede, indtil det grønne LED-lys tændes. (Fig. 45)

2. Tryk på låsen på strømudløseren og strømudløseren. Skæreudstyret begynder at rotere.

Sådan justeres loophåndtaget og teleskopskaftet

1. Løsn låsehåndtaget, og juster loophåndtaget til en korrekt position. (Fig. 46)
2. Luk låsehåndtaget.
3. Løsn håndtaget på skaftet. (Fig. 47)
4. Indstil den nødvendige længde på akslen. Sørg for, at du kan se trekanten på akslen. (Fig. 48)
5. Luk håndtaget, og spænd skruen.

Bemærk: Fastgør ikke loophåndtaget på advarselmærkaterne på akslen.

Sådan bruges SavE-funktionen

Dette produkt har en strømsparefunktion, SavE.

Bemærk: SavE-funktionen reducerer produktets skærekraft.

1. Tryk på SavE-knappen på tastaturet.
2. Kontroller, at den grønne LED tændes.
3. Tryk på SavE-knappen igen for at afbryde funktionen. Den grønne LED slukker. (Fig. 49)

Automatisk slukkefunktion

Dette produkt har en nedlukningsmetode, der stopper apparatet, hvis produktet ikke anvendes. Den grønne LED til start/stop slukker, og produktet stopper efter 180 sekunder.

Betjening af produktet

Sådan skæres græsset

1. Sørg for, at plastikkniven trimmerråden er parallel med underlaget, når du klipper græsset. (Fig. 50)
2. Skub ikke Tri-Cut trimmerhovedet ned mod jorden. Det kan forårsage skader på produktet.

Bemærk: Lav omgivende temperatur nær 0 °C kan få kniven eller trimmertråden til at gå i stykker.

3. Flyt produktet fra side til side, når du slår græs. (Fig. 51)

Bemærk: Brug ikke produktet med beskadiget skæreudstyr. Et skæreudstyr, der er beskadiget, kan forårsage ubalance, som kan beskadige produktet.

Sådan fejles græsset

Luftstrømmen fra de roterende plastikknive eller trimmertråden kan bruges til at fjerne klippet græs fra et område.

1. Hold trimmerhovedet, plastikknivene eller trimmertråden parallelt med jorden og over jorden.
2. Kør med fuld hastighed.
3. Flyt skæreudstyret fra side til side, og skub græsset til siden.



ADVARSEL: Rengør dækslet til skæreudstyret, hver gang du samler

nye plastikknive eller trimmertråd, for at undgå ubalance og vibrationer i håndtagene. Kontrollér også de andre dele af skæreudstyret, og rengør det om nødvendigt.

Sådan trimmer du tæt på objekter

1. Træk planteværnet ned. (Fig. 52)
2. Brug planteværnet for at undgå beskadigelse af andre genstande. (Fig. 53)

Sådan standses produktet

1. Slip strømudløseren og låsen på strømudløseren.
2. Tryk på start/stopknappen, indtil den grønne LED slukker.
3. Tryk på udløserknapperne på batteriet, og træk batteriet ud af produktet. (Fig. 54)

Sådan udskiftes plastikknive eller trimmertråd

Se de sidste sider i denne brugervejledning.

Vedligeholdelse

Indledning



ADVARSEL: Læs og forstå sikkerhedskapitlet, før du udfører vedligeholdelse på produktet.

Nedenfor vises en oversigt over det vedligeholdelsesarbejde, der skal udføres på produktet. Se *Produktoversigt på side 60* for at få flere oplysninger.

Vedligeholdelsesskema



ADVARSEL: Fjern batteriet, før du udfører vedligeholdelse.

Vedligeholdelse	Hver dag	Ugentligt	Månedligt
Rengør produktets yvendige overflade med en tør klud. Brug ikke vand.	X		
Sørg for, at start/stop-knappen fungerer korrekt og ikke er beskadiget.	X		
Kontrollér, at strømudløseren og strømudløserlåsen fungerer korrekt i sikkerhedsmæssig henseende.	X		
Sørg for, at håndtagene er tørre og rene.	X		
Sørg for, at skæreudstyrsskærmen er intakt. Udskift skæreudstyrsskærm, hvis den er beskadiget.	X		
Sørg for, at håndtaget eller styret ikke er beskadiget, og at det er monteret korrekt.	X		
Kontrollér teleskopaksens låsemekanisme. Se <i>Sådan kontrolleres teleskopaksens låsemekanisme på side 71</i> .	X		

Vedligeholdelse	Hver dag	Ugentligt	Månedligt
Kontrollér batteriopladeren, og sørg for, at den fungerer korrekt, og at den ikke er beskadiget.	X		
Sørg for, at batteriet ikke er beskadiget.	X		
Sørg for, at batteriet er opladt.	X		
Sørg for, at batteriopladeren ikke er beskadiget.	X		
Sørg for, at alle udvendige skruer og møtrikker er spændt.		X	
Kontrollér, at udløserknapperne på batteriet fungerer korrekt og låser batteriet på plads i produktet.		X	
Kontrollér, om der er fedt i trimmerhovedets spole.		X	
Rengør og kontrollér forbindelserne mellem batteriet og produktet.			X
Rengør og kontrollér forbindelserne mellem batteriet og batteriopladeren.			X

Sådan undersøges batteriet og batteriopladeren

1. Undersøg batteriet for skader, f.eks. revner.
2. Undersøg batteriopladeren for skader, f.eks. revner.
3. Undersøg regelmæssigt, at forbindelsesledningen til batteriopladeren er intakt, og at der ikke er revner i den.

Sådan rengøres produktet, batteriet og batteriopladeren

1. Rengør produktet med en tør klud efter brug.
2. Rengør batteriet og batteriopladeren med en tør klud. Hold batteristyringsporene rene.
3. Sørg for, at polerne på batteriet og batteriopladeren er rene, før batteriet sættes i batteriopladeren eller produktet.

Sådan kontrolleres og udskiftes Tri-Cut

1. Kontrollér Tri-Cut for skader og revner.
2. Fjern Tri-Cut. *Se "Sådan fjernes Tri-Cut på sidste side i brugervejledningen."*
3. Saml Tri-Cut. *Se Sådan udskiftes skæreudstyret på side 67.*

Sådan kontrolleres teleskopakslens låsemekanisme

1. Udfør en kontrol af teleskopakslens låsemekanisme.
2. Juster tilspændingskraften. (Fig. 55)

Fejlfinding

Tastatur

Kontrollampeskærm	Mulige fejl	Mulige løsninger
Fejl-LED'en blinker.	Overbelastning	Skæreudstyret kan ikke bevæge sig frit. Udløs skæreudstyret.
	Temperaturafvigelse	Lad produktet køle af.
Produktet starter ikke.	Tryk på strømudløseren og startknappen på samme tid.	Slip strømudløseren, og stands produktet.
Fejl-LED'en lyser rødt.	Det er nødvendigt at foretage service på produktet	Kontakt din serviceforhandler.

Batteri

LED-display	Mulige fejl	Mulig løsning
Den grønne LED blinker.	Lav batterispænding.	Oplad batteriet.
Fejl-LED'en blinker.	Temperaturafvigelse.	Brug batteriet i temperaturer mellem -10 °C (14 °F) og 40 °C (104 °F).
	For høj spænding.	Kontrollér, at netspændingen er i overensstemmelse med den værdi, der står på produktets typeskilt. Fjern batteriet fra batteriopladeren.
Fejl-LED'en er tændt.	Batteriforskellen er for stor (1 V).	Kontakt din serviceforhandler.

Batterioplader

Problem	Mulige fejl	Mulig løsning
LED-indikatoren for opladning lyser rødt.	Permanent fejl på batterioplader.	Snak med din forhandler.
LED-indikatoren for opladning blinker grønt.	Temperaturafvigelse, batteriet er for koldt eller for varmt til brug eller opladning.	Lad batteriet køle ned eller varmes op. Når batteriet har den korrekte temperatur, kan det bruges eller oplades igen. Brug batteriopladeren ved omgivende temperaturer på mellem 5 °C (41 °F) og 40 °C (104 °F).
LED-indikatoren for opladning blinker rødt.	Defekt batteri.	Snak med din forhandler.

Transport, opbevaring og bortskaffelse

Transport og opbevaring

- De medfølgende li-ion-batterier overholder lovkravene vedrørende farligt gods.
- Overhold de særlige krav vedrørende emballage og etiketter til kommerciel transport, herunder tredjeparter og speditører.
- Tal med en person med specialuddannelse i farligt materiale, før du sender produktet. Overhold alle gældende nationale bestemmelser.
- Sæt tape på åbne kontakter, når batteriet lægges i en pakke. Sørg for, at batteriet ikke kan bevæge sig i pakken.
- Fjern altid batteriet ved opbevaring eller transport.
- Sæt batteriet og batteriopladeren i et rum, der er tørt og fri for fugt og frost.
- Batteriet må ikke opbevares på steder, hvor statisk elektricitet kan forekomme. Opbevar ikke batteriet i en metalkasse.
- Opbevar batteriet ved temperaturer på mellem 5 °C og 25 °C og væk fra direkte sollys.
- Opbevar batteriopladeren ved temperaturer på mellem 5 °C og 45 °C og væk fra direkte sollys.
- Brug kun batteriopladeren ved en omgivende temperatur på mellem 5 °C og 40 °C.
- Oplad batteriet 30% til 50%, før du sætter det til opbevaring i længere tid.
- Opbevar batteriopladeren i et rum, der er lukket og tørt.
- Hold batteriet væk fra batteriopladeren under opbevaring. Lad ikke børn og andre ikke-autoriserede personer røre ved udstyret. Opbevar udstyret i et rum, der kan aflåses.

- Rengør produktet, og udfør fuld service, før du sætter produktet til opbevaring i længere tid.
- Brug transportskærmen på produktet for at forhindre personskader eller skader på produktet under transport og opbevaring.
- Fastspænd produktet sikkert under transporten.

det på en genbrugsstation til elektrisk og elektronisk udstyr. Dette hjælper med at forhindre skader på miljøet og på personer.

Kontakt de lokale myndigheder, dit renovationselskab eller din forhandler for at få flere oplysninger om, hvordan du genbruger dit produkt.

Bortskaffelse af batteriet, batteriopladeren og produktet

Symbolerne på produktet eller emballagen angiver, at produktet ikke er almindeligt husholdningsaffald. Aflever

Tekniske data

Tekniske data

	215IL-TC
Motor	
Motor type	BLDC
Omdrejningstal på udgående aksel, o/min.	6800
Skærebredde, mm	255
Vægt	
Vægt uden batteri, kg	2,9
Støjmissioner ¹⁰	
Lydeffektniveau, målt dB(A)	90,8
Lydeffektniveau, garanteret L _{WA} dB (A)	93
Støjniveauer ¹¹	
Ækvivalent lydtryksniveau ved brugerens ører målt i henhold til C 62841-4-4, dB (A)	81,3
Vibrationsniveauer ¹²	
Vibrationsniveauer i håndtag målt i henhold til IEC 62841-4-4, m/s ²	3,0 / 2,7
Udstyret med trimmerhoved (original), front/bag.	

¹⁰ Støjmissioner til omgivelserne målt som lydeffekt (L_{WA}) i henhold til EF-direktiv 2000/14/EF. Forskellen mellem garanteret og målt lydeffekt er, at den garanterede lydeffekt også omfatter spredning i måleresultatet og variationerne mellem forskellige produkter af samme model i henhold til direktivet 2000/14/EF.

¹¹ Rapporterede data for ækvivalent lydtryksniveau for produktet har en typisk statistisk spredning (standardafvigelse) på 3 dB(A).

¹² Rapporterede data for vibrationsniveau har en typisk statistisk spredning (standardafvigelse) på 1,5 m/s².

Godkendte batterier til produktet

Batteri	BLi10		BLi20		40-B70	40-B140
Type	Lithiumion		Lithiumion		Lithiumion	Lithiumion
Batterikapacitet, Ah	Se batteritypeskiltet		Se batteritypeskiltet		Se batteritypeskiltet	Se batteritypeskiltet
Nominel spænding, V	36	36,5	36	36,5	36	36
Vægt, kg	0,7	0,7	1,2	1,2	0,8	1,25

Godkendte batteriopladere til produktet

Batterioplader	QC80	40-C80
Netspænding, V	100-240	100-240
Frekvens, Hz	50-60	50-60
Effekt, watt	100	72
Udgangsspænding, V (jævnstrøm)/ ampere, A	36/2	43/1,6

Tilbehør

Godkendt tilbehør

Godkendt tilbehør	Type	Skæredstyrsskærm, vare-nr.
Trimmerhoved	R25B (Ø 2 mm line)	529 96 69-01
Trimmerhoved	Tri-Cut B (255 mm)	529 96 69-01

Overensstemmelseserklæring

EU-overensstemmelseserklæring

Vi, **Husqvarna AB**, SE-561 82 Huskvarna, Sverige,
tlf.: +46-36-146500 erklærer under eneansvar, at det
pågældende produkt:

Beskrivelse	Batteridreven græstrimmer
Varemærke	Husqvarna
Type / model	215iL-TC
Identifikation	Serienumrene fra 2025 og fremefter

overholder følgende EU-direktiver og bestemmelser:

Direktiv/bestemmelser	Beskrivelse
2006/42/EF	"vedrørende maskiner"
2014/30/EU	"vedrørende elektromagnetisk kompatibilitet"
2000/14/EF	"vedrørende støjmissioner til omgivelserne"
2011/65/EU	"om begrænsning af anvendelsen af visse farlige stoffer i elektrisk og elektronisk udstyr"

og at følgende standarder og/eller tekniske
specifikationer anvendes: EN 62841-1:2015+A11:2022,
IEC 62841-4-4:2020, EN ISO 12100:2010, EN
IEC 63000:2018, EN IEC 55014-1:2021; EN IEC
55014-2:2021.

Udpeget organ: 0036 TÜV SÜD Industrie Service
GmbH, Westendstraße199,80686 München,Germany
har bekræftet, at bestemmelserne i
Rådets direktiv 2000/14/EF, procedure for
overensstemmelsesvurdering: Bilag VI.

Se *Tekniske data på side 73* vedr. oplysninger om
støjmission.

Huskvarna, 2025-01-10



Claes Losdal, R&D Manager, Husqvarna AB

Ansvarlig for teknisk dokumentation



Inhalt

Einleitung.....	76	Transport, Lagerung und Entsorgung.....	90
Sicherheit.....	77	Technische Angaben.....	91
Montage.....	84	Zubehör.....	93
Betrieb.....	85	Konformitätserklärung.....	94
Wartung.....	87	Anhang	478
Fehlerbehebung.....	89		

Einleitung

Produktbeschreibung

Husqvarna 215iL-TC ist ein akkubetriebener Rasentrimmer mit einem Elektromotor.

Wir arbeiten laufend daran, Ihre Sicherheit und die Effektivität während des Betriebs zu verbessern. Ihr Servicehändler steht Ihnen gern für weitere Informationen zur Verfügung.

Bestimmungsgemäße Verwendung

Das Gerät wird mit Kunststoffmessern ohne Metall verwendet. Verwenden Sie das Gerät nicht für andere

Geräteübersicht

(Abb. 1)

1. Trimmerkopf Tri-Cut
2. Schutz für die Schneidausrüstung
3. Schaft
4. Schafteinstellung (Teleskop)
5. Loophandgriff
6. Tastatur
7. Tastaturwarnanzeige
8. Start-/Stopptaste
9. SavE-Taste (Energiespartaste)
10. Gashebel
11. Gashebelsperre
12. Betriebs- und Warnanzeige
13. Verbinder
14. Ladegerät 40-C80
15. Pflanzenschutz
16. Akkuwarnanzeige
17. Akkuladezustand
18. Akkuanzeigetaste
19. Akkuentriegelungstaste
20. Batterie
21. Kombinationswerkzeug
22. Mitnehmerrad
23. Bedienungsanleitung

Aufgaben als zum Schneiden von Unkraut, Gras oder ähnlicher weicher Vegetation.

Hinweis: Der Betrieb des Geräts kann durch nationale Vorschriften eingeschränkt werden.

Verwenden Sie das Gerät nur mit Zubehörteilen, die vom Hersteller genehmigt sind. Siehe *Zubehör auf Seite 93*.

Symbole auf dem Gerät

- (Abb. 2) **WARNUNG:** Dieses Gerät kann gefährlich sein und schwere oder tödliche Verletzungen des Bedieners oder anderer Personen verursachen. Gehen Sie vorsichtig vor, und verwenden Sie das Gerät ordnungsgemäß.
- (Abb. 3) Lesen Sie die Bedienungsanleitung sorgfältig durch, und machen Sie sich vor der Benutzung mit dem Inhalt vertraut.
- (Abb. 4) Legen Sie einen Augen- und Gehörschutz an.
- (Abb. 5) Verwenden Sie das Gerät nicht bei Regen.
- (Abb. 6) Etikett mit Geräuschemissionen gemäß EU- und UK-Verordnungen und Richtlinien (plus Verordnungen aus New South Wales). Daten zu Geräuschemissionen sind auf dem Geräteschild und im Abschnitt „Technische Daten“ angegeben. Nur gültig, wenn das Gerät mit einem Trimmerfaden ausgestattet ist.

- (Abb. 7) Achten Sie auf hochgeschleuderte Gegenstände. einer Recyclingstation für elektrische und elektronische Geräte.
- (Abb. 8) Trennen Sie den Akku vor der Wartung. (Abb. 10) Das Gerät entspricht den geltenden EU-Richtlinien.
- (Abb. 9) Das Gerät und die Verpackung des Geräts dürfen nicht über den Hausmüll entsorgt werden. Recyceln Sie es an (Abb. 11) Das Gerät entspricht den geltenden UK-Richtlinien.
- (Abb. 12) Gleichstrom.
- (Abb. 16) Der Abstand zwischen der Maschine und umstehenden Personen muss mindestens 15 m (50 Fuß) betragen.
- (Abb. 17) Verwenden Sie keine Metallklingen.
- yyyywwxxxxx Auf dem Typenschild oder der Lasergravur ist die Seriennummer angegeben. **yyy** ist das Produktionsjahr und **ww** steht für die Produktionswoche.

Symbole auf dem Akku und/oder auf dem Ladegerät

- (Abb. 18) Recyceln Sie dieses Gerät an einer Recyclingstation für elektrische und elektronische Geräte. (nur für Europa)
- (Abb. 13) Störungsfreier Transformator.
- (Abb. 14) Das Akkuladegerät darf nur in geschlossenen Räumen benutzt und aufbewahrt werden.
- (Abb. 15) Doppelt isoliert

Produktschäden

Wir haften nicht für Schäden an unserem Produkt, wenn:

- das Gerät nicht ordnungsgemäß repariert wird.
- das Gerät mit Teilen repariert wird, die nicht vom Hersteller stammen oder nicht vom Hersteller zugelassen sind.
- ein Zubehörteil mit dem Gerät verwendet wird, das nicht vom Hersteller stammt oder nicht vom Hersteller zugelassen ist.
- das Gerät nicht bei einem zugelassenen Service Center oder von einem zugelassenen Fachmann repariert wird.

Sicherheit

Sicherheitsdefinitionen

Warnungen, Vorsichtsmaßnahmen und Hinweise werden verwendet, um auf besonders wichtige Teile der Bedienungsanleitung hinzuweisen.



WARNUNG: Wird verwendet, wenn bei Nichtbeachtung der Anweisungen in diesem Handbuch die Gefahr von Verletzung oder Tod des Bedieners oder anderer Personen besteht.



ACHTUNG: Wird verwendet, wenn bei Nichtbeachtung der Anweisungen in diesem Handbuch die Gefahr von Schäden am Gerät, an anderen Materialien oder in der Umgebung besteht.

Hinweis: Für weitere Informationen, die in bestimmten Situationen nötig sind.

Allgemeine Sicherheitshinweise zum Gerät



WARNUNG: Beachten Sie alle für das Gerät vorgesehenen Sicherheitshinweise, Anleitungen, Abbildungen und technischen Daten. Wenn Sie die unten stehenden Anweisungen nicht befolgen, kann dies zu elektrischen Schlägen, Brand und/oder schweren Verletzungen führen.

Bewahren Sie alle Warnhinweise und Anweisungen für spätere Referenzzwecke auf.

Hinweis: Die Bezeichnung „Gerät“ in den Warnhinweisen bezieht sich auf ein Gerät mit Netzbetrieb (über ein Kabel) oder Akkubetrieb (Kabellos).

Sicherheit im Arbeitsbereich

- **Sorgen Sie für einen sauberen und gut ausgeleuchteten Arbeitsbereich.** Durch zugestellte oder dunkle Arbeitsbereiche steigt die Unfallgefahr stark an.
- **Betreiben Sie das Gerät niemals an Orten, an denen Explosionsgefahr besteht, z. B. in der Nähe von leicht entzündlichen Flüssigkeiten, Gasen oder Staubsammlungen.** Bei der Arbeit mit dem Gerät kann es zu Funkenbildung kommen, wodurch sich Staub oder Dämpfe entzünden können.
- **Sorgen Sie bei der Arbeit mit dem Gerät dafür, dass sich keine Kinder oder unbefugte Personen in der Nähe befinden.** Durch Ablenkungen können Sie die Kontrolle über das Werkzeug verlieren.

Elektrische Sicherheit

- **Die Netzstecker des Geräts müssen zur Steckdose passen. Der Netzstecker darf in keiner Weise verändert werden. Verwenden Sie bei Geräten mit Schutzkontakt (geerdet) niemals Adapterstecker.** Nicht modifizierte Stecker und passende Steckdosen reduzieren das Risiko eines Stromschlags.
- **Vermeiden Sie Körperkontakt mit geerdeten Gegenständen wie Rohrleitungen, Heizungen, Herden oder Kühlschränken.** Bei Körperkontakt mit geerdeten Gegenständen besteht ein erhöhtes Stromschlagrisiko.
- **Setzen Sie das Gerät weder Regen noch Feuchtigkeit aus.** Wenn Wasser in das Gerät eindringt, erhöht sich das Stromschlagrisiko.
- **Verwenden Sie das Anschlusskabel nicht missbräuchlich. Verwenden Sie das Anschlusskabel niemals zum Tragen oder Heranziehen des Geräts, und ziehen Sie den Stecker nicht am Anschlusskabel aus der Steckdose. Halten Sie das Kabel fern von Hitzequellen, Öl, scharfen Kanten und beweglichen Teilen.** Beschädigte oder verdrehte Anschlusskabel erhöhen das Stromschlagrisiko.
- **Wenn Sie das Gerät im Freien benutzen, verwenden Sie ein für den Außeneinsatz geeignetes Verlängerungskabel.** Die Verwendung eines für den Außeneinsatz geeigneten Kabels verringert das Risiko eines Stromschlags.
- **Falls der Einsatz des Geräts in einer feuchten Umgebung nicht zu vermeiden ist, benutzen Sie eine Stromversorgung mit FI-Schutzschalter (RCD).** Die Verwendung einer Fehlerstrom-Schutzeinrichtung (RCD) verringert das Risiko eines elektrischen Schlags.

Persönliche Sicherheit

- **Bleiben Sie aufmerksam, achten Sie auf das, was Sie tun, und setzen Sie Ihren gesunden Menschenverstand ein, wenn Sie mit dem Gerät arbeiten. Verwenden Sie das Gerät nicht, wenn Sie müde sind oder unter dem Einfluss von Drogen, Alkohol oder Medikamenten stehen.** Bei der Arbeit mit dem Gerät können bereits kurze Phasen der Unaufmerksamkeit zu schweren Verletzungen führen.
- **Tragen Sie eine persönliche Schutzausrüstung. Tragen Sie stets einen Augenschutz.** Schutzausrüstung wie Atemschutzmaske, rutschsichere Sicherheitsschuhe, Schutzhelm und Gehörschutz senkt bei angemessenem Einsatz das Verletzungsrisiko.
- **Vermeiden Sie ein versehentliches Starten. Achten Sie darauf, dass der Schalter auf OFF steht, bevor Sie das Gerät an eine Stromquelle und/oder einen Akku anschließen, es hochheben oder tragen.** Durch Herumtragen des Geräts mit dem Finger am Schalter bzw. das Einstecken des Steckers bei betätigtem Schalter erhöht sich das Unfallrisiko.
- **Entfernen Sie sämtliche Einstellschlüssel, bevor Sie das Gerät einschalten.** Ein an einem beweglichen Teil des Geräts angebrachter Schlüssel kann zu Verletzungen führen.
- **Sorgen Sie für einen festen Stand. Achten Sie jederzeit darauf, sicher zu stehen und das Gleichgewicht zu bewahren.** Dadurch haben Sie das Gerät in unerwarteten Situationen besser im Griff.
- **Kleiden Sie sich richtig. Tragen Sie niemals lose sitzende Kleidung oder Schmuck. Halten Sie Haar und Kleidung von beweglichen Teilen fern.** Lose sitzende Kleidung, Schmuck oder langes Haar kann von beweglichen Teilen erfasst werden.
- **Wenn Anschlüsse für Staubabsaug- und Staubsammelvorrichtungen vorhanden sind, sorgen Sie dafür, dass diese richtig angeschlossen und eingesetzt werden.** Die Verwendung von Staubsammelvorrichtungen vermindert durch Staub verursachte Gefahren.
- **Lassen Sie nicht zu, dass Sie wegen Vertrautheit durch häufige Verwendung der Werkzeuge selbstgefällig werden und die Sicherheitsgrundsätze der Werkzeuge ignorieren.** Eine achtlose Handlung kann im Bruchteil einer Sekunde zu schweren Verletzungen führen.

Nutzung und Pflege des Geräts

- **Überbeanspruchen Sie das Gerät nicht. Beschränken Sie sich für Ihren Einsatz auf das korrekte Gerät.** Das korrekte Gerät wird die Aufgabe besser und sicherer ausführen mit der Leistung, für die es ausgelegt ist.
- **Benutzen Sie das Gerät nicht, wenn es sich nicht am Schalter ein- und ausschalten lässt.** Jedes Gerät, das nicht mit dem Schalter betätigt werden kann, stellt eine Gefahr dar und muss repariert werden.

- **Trennen Sie das Gerät von der Stromversorgung bzw. entfernen Sie den Akku, bevor Sie Einstellungen vornehmen, Zubehörteile austauschen oder das Gerät verstauen.** Mit diesen Präventivmaßnahmen reduzieren Sie das Risiko eines versehentlichen unkontrollierten Starts des Gerätes.
- **Lagern Sie nicht benutzte Geräte außerhalb der Reichweite von Kindern, und lassen Sie nicht zu, dass Personen das Gerät bedienen, die nicht mit dem Gerät selbst und/oder diesen Anweisungen vertraut sind.** Die Geräte stellen in ungeschulten Händen eine Gefahr dar.
- **Pflegen Sie das Gerät und das Zubehör. Prüfen Sie, ob bewegliche Teile falsch eingestellt sind oder klemmen, ob Teile gebrochen oder so weit beschädigt sind, dass der Betrieb des Geräts beeinträchtigt werden kann. Bei Beschädigungen lassen Sie das Gerät reparieren, bevor Sie es benutzen.** Viele Unfälle sind auf schlechte Geräterwartung zurückzuführen.
- **Halten Sie Schneidwerkzeuge scharf und sauber.** Ordnungsgemäß gewartete Schneidwerkzeuge mit scharfen Schnittkanten bleiben seltener hängen und sind einfacher zu bedienen.
- **Benutzen Sie Gerät, Zubehör, Aufsätze und Ähnliches in Übereinstimmung mit diesen Anweisungen und auf die für das jeweilige Elektrowerkzeug bestimmungsgemäße Weise und beachten Sie dabei die jeweiligen Arbeitsbedingungen und die Art der auszuführenden Arbeiten.** Der Einsatz des Geräts für bestimmungswidrige Zwecke kann zu Gefahrensituationen führen.
- **Halten Sie die Handgriffe und Griffflächen trocken, sauber und frei von Öl und Fett.** Wenn Handgriffe und Griffflächen rutschig sind, kann das Werkzeug in unerwarteten Situationen nicht sicher bedient und kontrolliert werden.

Verwendung und Pflege von akkubetriebenen Geräten

- **Eine Aufladung darf nur mit dem vom Hersteller vorgeschriebenen Ladegerät durchgeführt werden.** Durch ein für einen bestimmten Akkutyp geeignetes Ladegerät kann Brandgefahr entstehen, wenn es für einen anderen Akku verwendet wird.
- **Verwenden Sie Geräte nur mit speziell für sie ausgezeichneten Akkus.** Die Verwendung anderer Akkus kann zu Verletzungs- und Brandgefahr führen.
- **Wird der Akku nicht verwendet, halten Sie ihn von Metallgegenständen wie Büroklammer, Münzen, Schlüsseln, Nägeln, Schrauben oder anderen kleineren Metallobjekten fern, da es zu einer Überbrückung der Kontakte kommen könnte.** Durch Kurzschluss der Akkuklemmen kann es zu Verbrennungen oder Bränden kommen.
- **Unter missbräuchlichen Bedingungen kann Flüssigkeit aus dem Akku austreten; vermeiden**

Sie Kontakt damit. Bei versehentlichem Hautkontakt sofort mit Wasser abspülen. Sollten Ihre Augen damit in Berührung gekommen sein, suchen Sie sofort ärztliche Hilfe auf. Durch austretende Flüssigkeit aus dem Akku kann es zu Reizungen oder Verbrennungen kommen.

- **Verwenden Sie keinen Akku und kein Gerät, der bzw. das defekt ist oder modifiziert wurde.** Beschädigte oder modifizierte Akkus können ein unvorhersehbares Verhalten aufweisen, welches zu Feuer, Explosionen oder Verletzungsgefahren führen kann.
- **Setzen Sie Akku oder Gerät niemals Feuer oder sehr hohen Temperaturen aus.** Feuer oder Temperaturen über 130 °C (265 °F) können zu einer Explosion führen.
- **Befolgen Sie die Ladeanweisungen und laden Sie den Akku oder das Gerät niemals bei Temperaturen außerhalb den in der Anleitung angegebenen Temperaturbereichen auf.** Unsachgemäßes Aufladen oder Aufladen bei Temperaturen außerhalb des angegebenen Bereichs kann den Akku beschädigen und die Brandgefahr erhöhen.

Service

- **Lassen Sie Ihre Maschine von einem qualifizierten Fachmann reparieren und bestehen Sie darauf, dass nur Originalersatzteile dazu verwendet werden.** Dies trägt dazu bei, die Sicherheit der Maschine zu bewahren.
- **Warten Sie niemals beschädigte Akkus.** Akkus dürfen nur vom Hersteller oder von autorisierten Serviceanbietern gewartet werden.

Sicherheitshinweise für Rasentrimmer

- **Verwenden Sie das Gerät nicht bei schlechten Wetterverhältnissen, insbesondere dann nicht, wenn Blitzschlaggefahr besteht.** Dadurch wird die Gefahr eines Blitzschlags reduziert.
- **Untersuchen Sie den Bereich, in dem das Gerät eingesetzt werden soll, sorgfältig auf Tiere.** Tiere können während des Betriebs durch das Gerät verletzt werden.
- **Überprüfen Sie sorgfältig das Gelände, in dem das Gerät eingesetzt werden soll, und entfernen Sie alle losen Gegenstände wie Steine, Stöcke, Kabel, Knochen und sonstige Fremdkörper.** Aufgeschleuderte Gegenstände können schwere Verletzungen verursachen.
- **Unterziehen Sie das Gerät vor dem Einsatz stets einer Sichtprüfung, um sicherzustellen, dass Schneidwerkzeug oder Klingeneinheit nicht beschädigt sind.** Beschädigte Teile erhöhen das Verletzungsrisiko.
- **Beachten Sie die Anweisungen zum Auswechseln des Zubehörs.** Falsch angezogene Befestigungsmuttern oder -schrauben an den Klingen können die Klinge beschädigen oder dazu führen, dass sie sich löst.

- **Tragen Sie Augen-, Ohren-, Kopf- und Handschutz.** Eine angemessene Schutzausrüstung verringert das Verletzungsrisiko durch umherfliegende Bruchstücke oder durch versehentlichen Kontakt mit Schneidwerke oder -Fäden.
- **Tragen Sie beim Betrieb des Geräts stets rutschfeste Sicherheitsschuhe. Bedienen Sie das Gerät nicht barfuß oder mit Sandalen.** Dadurch wird die Verletzungsgefahr an den Füßen durch Kontakt mit den rotierenden Schneidwerkzeugen oder Fäden verringert.
- **Tragen Sie beim Betrieb der Maschine stets eine lange Hose.** Freiliegende Haut erhöht die Wahrscheinlichkeit von Verletzungen durch aufgeschleuderte Gegenstände.
- **Achten Sie beim Betrieb des Geräts darauf, dass sich keine umstehenden Personen in Ihrer Nähe befinden.** Weggeschleuderte Pflanzenteile können schwere Verletzungen verursachen.
- **Bedienen Sie die Maschine immer mit beiden Händen.** Das Festhalten der Maschine mit beiden Händen verhindert einen möglichen Kontrollverlust.
- **Halten Sie die Maschine nur an den isolierten Griffoberflächen fest, falls der Schnitffaden oder die Klinge in Kontakt mit verborgenen Stromleitungen kommt.** Schnitffäden oder Klingen, die mit einer stromführenden Leitung in Berührung kommen, können freiliegende Metallteile der Maschine unter Strom setzen und dem Bediener einen Stromschlag versetzen.
- **Achten Sie stets auf festen Stand, und betreiben Sie die Maschine nur, wenn Sie auf einer festen, sicheren und geraden Oberfläche stehen.** Auf rutschigen oder instabilen Oberflächen kann es zu einem Verlust des Gleichgewichts oder der Kontrolle über die Maschine kommen.
- **Betreiben Sie das Gerät nicht an übermäßig steilen Hängen.** So reduzieren Sie die Verletzungsgefahr durch Kontrollverlust, Wegrutschen oder Stürze.
- **Achten Sie bei Arbeiten an Hängen immer auf festen Stand, arbeiten Sie immer quer statt längs zum Hang, und gehen Sie beim Richtungswechsel mit äußerster Vorsicht vor.** So reduzieren Sie die Verletzungsgefahr durch Kontrollverlust, Wegrutschen oder Stürze.
- **Halten Sie alle Körperteile vom Schneidwerkzeug, dem Faden oder der Klinge fern, wenn die Maschine in Betrieb ist. Stellen Sie vor dem Starten der Maschine sicher, dass das Schneidwerkzeug, der Faden oder die Klinge nichts berühren.** Bei der Arbeit mit der Maschine können bereits kurze Phasen der Unaufmerksamkeit zu schweren Verletzungen führen.
- **Betreiben Sie das Gerät nicht über Hüfthöhe.** Auf diese Weise vermeiden Sie unbeabsichtigten Kontakt mit dem Schneidwerkzeug oder der Klinge. Sie können das Gerät so in unerwarteten Situationen besser kontrollieren.
- **Rechnen Sie beim Schneiden von Dickicht oder Jungbäumen, die unter Spannung stehen, mit dem**

Zurückschnellen derselben. Wenn die Spannung der Holzfasern freigesetzt wird, kann das unter Spannung stehende Dickicht bzw. der Jungbaum den Bediener treffen und/oder die Maschine außer Kontrolle setzen.

- **Gehen Sie beim Schneiden von Dickicht und Jungbäumen besonders umsichtig vor.** Das dünne Material kann sich in der Klinge verfangen und in Ihre Richtung geschleudert werden bzw. Sie aus dem Gleichgewicht bringen.
- **Behalten Sie die Kontrolle über die Maschine, und berühren Sie keine Schneidwerkzeuge, Fäden oder Klingen sowie andere gefährliche bewegliche Teile, während diese noch in Bewegung sind.** So reduzieren Sie die Verletzungsgefahr durch bewegliche Teile.
- **Tragen Sie das Gerät nur in ausgeschaltetem Zustand und weg vom Körper.** Durch den ordnungsgemäßen Umgang mit der Maschine wird die Wahrscheinlichkeit eines versehentlichen Kontakts mit einem rotierenden Schneidwerkzeug, Faden bzw. einer rotierenden Klinge verringert.
- **Verwenden Sie nur vom Hersteller angegebene Ersatzschneidwerkzeuge, -fäden, -schneidköpfe und -klingen.** Nicht ordnungsgemäße Ersatzteile können zu Kontrollverlust, Brüchen und Verletzungen führen.
- **Stellen Sie beim Beseitigen von eingeklemmtem Material und bei der Wartung der Maschine sicher, dass der Netzschalter ausgeschaltet ist und der Akku entfernt wurde.** Eine unerwartete Betätigung der Maschine beim Entfernen von eingeklemmten Material oder bei der Wartung kann zu schweren Verletzungen führen.

Kontrolle vor dem Start

- Entnehmen Sie stets den Akku, um den versehentlichen Start des Geräts zu verhindern. Entfernen Sie stets den Akku, bevor Sie das Gerät warten.
- Vor Gebrauch des Geräts und nach jedem Schlag oder Stoß muss das Gerät auf Anzeichen von Verschleiß oder Schäden überprüft und ggf. repariert werden.
- Überprüfen Sie den Arbeitsbereich. Entfernen Sie alle losen Gegenstände, z. B. Steine, Glasscherben, Nägel, Drähte, Schnüre, usw., die weggeschleudert werden oder sich in der Schneidausrüstung oder Schutzausrüstung verfangen können.
- Prüfen Sie den Motor auf Verschmutzungen und Risse. Entfernen Sie Gras und Blätter mit Hilfe einer Bürste aus dem Motor. Handschuhe sind dann zu tragen, wenn dies notwendig ist.
- Prüfen Sie, ob der Trimmerkopf fest am Trimmer angebracht ist.
- Prüfen Sie, ob sich das Gerät in einwandfreiem Arbeitszustand befindet. Kontrollieren Sie, ob alle Muttern und Schrauben angezogen sind.
- Überprüfen Sie Trimmerkopf und Schneidausrüstung auf Schäden und Risse. Wenn Trimmerkopf oder Schneidausrüstung Risse haben oder Schlägen

ausgesetzt gewesen sind, müssen sie ausgetauscht werden. Verwenden Sie stets den empfohlenen Schutz für die jeweilige Schneidausrüstung. Siehe Kapitel Technische Daten.

- Der Bediener des Geräts hat darauf zu achten, dass während der Arbeit keine Menschen oder Tiere näher als 15 m an herankommen. Wenn mehrere Bediener am gleichen Einsatzort tätig sind, muss der Sicherheitsabstand mindestens 15 Meter betragen.
- Führen Sie vor dem Gebrauch des Geräts eine Gesamtüberprüfung durch. Siehe Wartungsplan.
- Nationale oder regionale Bestimmungen regeln ggf. die Verwendung. Beachten Sie die jeweils gültigen Bestimmungen.

Arbeiten Sie stets mit gesundem Menschenverstand!

Es ist unmöglich, hier alle denkbaren Situationen zu beschreiben. Stets vorsichtig vorgehen und mit gesundem Menschenverstand arbeiten. Vermeiden Sie Situationen, denen Sie sich nicht gewachsen fühlen. Wenn Sie sich nach dem Lesen dieser Anweisungen immer noch unsicher fühlen, wie Sie vorgehen sollen, bitten Sie einen Fachmann um Rat, bevor Sie fortfahren.



WARNUNG: Erlauben Sie niemals Kindern, das Gerät zu benutzen oder sich in seiner Nähe aufzuhalten. Da das Gerät leicht zu starten ist, könnten auch Kinder bei unzureichender Aufsicht in der Lage sein, das Gerät zu starten. Dies kann zu schweren Verletzungen führen. Daher stets den Akku entfernen, wenn das Gerät unbeaufsichtigt ist.

Allgemeine Sicherheitshinweise



WARNUNG: Lesen Sie die folgenden Warnhinweise, bevor Sie das Gerät verwenden.

- Entnehmen Sie den Akku, um den versehentlichen Start des Geräts zu verhindern.
- Dieses Gerät ist ein gefährliches Werkzeug, wenn Sie nicht aufpassen oder es unsachgemäß verwenden. Dieses Gerät kann schwere oder tödliche Verletzungen des Bedieners oder anderer Personen verursachen.
- Verwenden Sie das Gerät nicht, wenn es nicht mehr der ursprünglichen Spezifikation entspricht. Ändern Sie kein Teil des Geräts ohne Genehmigung des Herstellers. Verwenden Sie nur Teile, die vom Hersteller genehmigt wurden. Eine falsche Wartung kann zu schweren bis tödlichen Verletzungen führen.
- Überprüfen Sie das Gerät vor dem Gebrauch. Siehe *Sicherheitsvorrichtungen am Gerät auf Seite 82* und *Geräteübersicht auf Seite 76*. Verwenden Sie das Gerät nicht, wenn es beschädigt ist oder nicht ordnungsgemäß funktioniert. Führen Sie

die in dieser Bedienungsanweisung beschriebenen Kontroll-, Wartungs- und Serviceanweisungen durch.

- Lassen Sie keine Kinder mit dem Gerät spielen. Das Gerät ist kein Spielzeug! Kinder oder nicht im Gebrauch des Geräts und/oder des Akkus geschulte Personen dürfen das Gerät bzw. den Akku weder bedienen noch warten. Unter Umständen gelten gesetzlich vorgeschriebene Altersbeschränkungen.
- Bewahren Sie das Gerät in einem verschlossenen Bereich auf, um einen unerlaubten Zugriff durch Kinder oder andere Personen zu verhindern.
- Bewahren Sie das Gerät für Kinder unzugänglich auf.
- Unter keinen Umständen darf die ursprüngliche Konstruktion des Geräts ohne Genehmigung des Herstellers geändert werden. Verwenden Sie immer Originalzubehör. Unzulässige Änderungen und/oder unzulässiges Zubehör können zu schweren oder sogar tödlichen Verletzungen des Bedieners und anderer Personen führen.
- Der angegebene Vibrationsgesamtwert wurde gemäß der Standardtestmethode gemessen und kann zum Vergleich des Werkzeugs herangezogen werden.
- Der angegebene Vibrationsgesamtwert kann auch bei der vorläufigen Beurteilung der Exposition verwendet werden.
- Die Vibrationsemissionen während der tatsächlichen Verwendung des Elektrowerkzeugs können abhängig von der Verwendungsart des Werkzeugs vom angegebenen Gesamtwert abweichen. Bediener sollten Sicherheitsmaßnahmen für den eigenen Schutz ergreifen, die auf einer Beurteilung der Exposition unter tatsächlichen Nutzungsbedingungen beruht. Dabei sind alle Teile des Betriebszyklus zu berücksichtigen, z. B. abgesehen vom Gashebelbetrieb, die Zeiten, wenn das Werkzeug ausgeschaltet ist und wenn es im Leerlauf betrieben wird.

Hinweis: Nationale oder regionale Gesetze regeln ggf. die Verwendung. Beachten Sie die jeweils gültigen Bestimmungen.

Persönliche Schutzausrüstung



WARNUNG: Lesen Sie die folgenden Warnhinweise, bevor Sie das Gerät benutzen.

- Verwenden Sie stets die vorgeschriebene persönliche Schutzausrüstung bei der Benutzung des Geräts. Die persönliche Schutzausrüstung kann Verletzungen nicht vollständig vermeiden, vermindert aber den Umfang der Verletzungen und Schäden bei einem Unfall. Lassen Sie sich bei der Auswahl der richtigen Ausrüstung von Ihrem Händler beraten.

- Tragen Sie einen zugelassenen Gehörschutz.

(Abb. 19)

- Tragen Sie einen zugelassenen Augenschutz. Bei der Benutzung eines Visiers ist außerdem eine zugelassene Schutzbrille zu tragen. Zugelassene Schutzbrillen müssen die Normen ANSI Z87.1 für die USA bzw. EN 166 für EU-Länder erfüllen.

(Abb. 20)

- Tragen Sie bei Bedarf Schutzhandschuhe, beispielsweise bei der Montage, der Untersuchung oder der Reinigung der Schneidausrüstung.

(Abb. 21)

- Tragen Sie Stiefel mit Stahlkappen und rutschfesten Sohlen.

(Abb. 22)

- Tragen Sie Kleidung aus reißfestem Material. Tragen Sie stets lange Hosen aus schwerem Stoff und lange Ärmel. Tragen Sie keine weite Kleidung, die sich leicht an Ästen und Zweigen verfangen könnte. Tragen Sie keinen Schmuck, kurze Hosen oder Sandalen. Gehen Sie nicht barfuß. Binden Sie Ihre Haare sicherheitshalber zusammen, so dass sie nicht über Ihre Schultern fallen.
- Eine Erste-Hilfe-Ausrüstung sollte stets griffbereit sein.

(Abb. 23)

Sicherheitsvorrichtungen am Gerät



WARNUNG: Lesen Sie die folgenden Warnhinweise, bevor Sie das Gerät verwenden.

In diesem Abschnitt werden einzelnen Teile der Sicherheitsausrüstung des Gerätes beschrieben, welche Funktion sie haben und wie ihre Kontrolle und Wartung ausgeführt werden sollen, um sicherzustellen, dass sie funktionsfähig sind. Unter der Überschrift *Einleitung auf Seite 76* finden Sie Angaben zur Position der Teile an Ihrem Gerät.

Die Lebensdauer des Geräts kann verkürzt werden und die Unfallgefahr kann steigen, wenn die Wartung des Geräts nicht ordnungsgemäß und Service und/oder Reparaturen nicht fachmännisch ausgeführt werden. Wenden Sie sich für weitere Informationen an Ihre Vertragswerkstatt.



WARNUNG: Benutzen Sie kein Gerät mit defekten Sicherheitsvorrichtungen. Die Sicherheitsausrüstung des Gerätes muss so kontrolliert und gewartet werden, wie dies in diesem Abschnitt beschrieben wird. Wenn Ihr Gerät diesen Anforderungen nicht entspricht, muss eine Servicewerkstatt aufgesucht werden.



ACHTUNG: Service und Reparatur des Gerätes erfordern eine Spezialausbildung. Dies gilt besonders für die Sicherheitsausrüstung des Geräts. Wenn Ihr Gerät den unten aufgeführten Kontrollanforderungen nicht entspricht, müssen Sie Ihre Servicewerkstatt aufsuchen. Beim Kauf eines unserer Geräte wird gewährleistet, dass Reparatur- oder Servicearbeiten fachmännisch ausgeführt werden. Sollte der Verkäufer Ihres Gerätes nicht an unser Fachhändler-Service-Netz angeschlossen sein, fragen Sie nach unserer nächstgelegenen Servicewerkstatt.

So prüfen Sie die Tastatur

1. Drücken Sie die Start-/Stopptaste (A), und halten Sie sie gedrückt. (Abb. 24)
 - a) Das Gerät ist eingeschaltet, wenn die LED (B) leuchtet.
 - b) Das Gerät ist ausgeschaltet, wenn die LED (B) aus ist.
2. Lesen Sie *Bedienpanel auf Seite 89*, wenn die Warnanzeige (C) leuchtet oder blinkt.

So prüfen Sie die Gashebelsperre

Die Gashebelsperre verhindert versehentliches Starten. Wenn Sie die Gashebelsperre (A) drücken, wird der Gashebel (B) freigegeben. Wenn Sie den Handgriff loslassen, kehren Gashebel und Gashebelsperre wieder in ihre Ausgangsstellung zurück. (Abb. 25)

1. Stellen Sie sicher, dass der Gashebel gesperrt ist, wenn sich die Gashebelsperre in der Ausgangsstellung befindet. (Abb. 26)
2. Drücken Sie den Gashebel und kontrollieren Sie, ob er beim Loslassen in die Ausgangsstellung zurückkehrt. (Abb. 27)
3. Stellen Sie sicher, dass sich der Gashebel und die Gashebelsperre frei bewegen können und dass die Rückstellfeder richtig funktioniert. (Abb. 28)
4. Starten Sie das Gerät. Siehe *So starten Sie das Gerät auf Seite 86*.
5. Wenden Sie die volle Leistung an.
6. Lassen Sie den Gashebel los, und stellen Sie sicher, dass die Schneidausrüstung vollständig stoppt.

So prüfen Sie die Schutzvorrichtung der Schneidausrüstung



WARNUNG: Verwenden Sie keine Schneidausrüstung ohne eine zugelassene und ordnungsgemäß befestigte Schutzvorrichtung. Verwenden Sie stets die empfohlene Schutzvorrichtung für die Schneidausrüstung, die Sie benutzen, siehe

Technische Angaben auf Seite 91. Wenn eine falsche oder defekte Schutzvorrichtung montiert wird, können dadurch schwere Verletzungen verursacht werden.

Der Schutz für die Schneidausrüstung stoppt Objekte, die in die Richtung des Bedieners geschleudert werden. Der Schutz für die Schneidausrüstung verhindert außerdem Verletzungen durch Berühren der Schneidausrüstung.

1. Halten Sie den Motor an.
2. Führen Sie eine Sichtkontrolle auf Beschädigungen (z. B. Risse) durch.
3. Tauschen Sie den Schutz für die Schneidausrüstung aus, wenn er beschädigt ist.

Schneidausrüstung

Wählen Sie die richtige Schneidausrüstung und warten sie diese, um:

- Maximale Schnittleistung zu erreichen,
- Die Lebensdauer der Schneidausrüstung zu erhöhen.



WARNUNG: Die Schneidausrüstung immer nur mit dem von uns empfohlenen Schutz verwenden! Siehe *Zugelassenes Zubehör auf Seite 93*. Informationen zum korrekten Einlegen des Trimmerfadens und zu Kunststoffmessern finden Sie in den Anweisungen für die Schneidausrüstung.



WARNUNG: Eine beschädigte Schneidausrüstung kann die Unfallgefahr erhöhen.



WARNUNG: Schalten Sie den Strom immer ab, bevor Arbeiten an der Schneidausrüstung ausgeführt werden. Sie dreht weiter, nachdem Sie den Gashebel loslassen. Stellen Sie sicher, dass die Schneidausrüstung völlig stillsteht. Trennen Sie den Akku vom Gerät, bevor Sie mit der Arbeit an der Schneidausrüstung beginnen.

Schneidausrüstung



WARNUNG: Achten Sie stets darauf, dass der Trimmerfaden fest und gleichmäßig auf die Rolle gewickelt wird, um gesundheitsschädliche Vibrationen zu vermeiden.

(Abb. 29)

- Benutzen Sie nur empfohlene Schneidausrüstung.

- Die Länge des Trimmerfadens ist wichtig. Bei gleichem Fadendurchmesser erfordert ein längerer Trimmerfaden eine größere Motorleistung als ein kurzer.
- Achten Sie darauf, dass das Messer an der Schneidausrüstung intakt ist. Dieses schneidet den Trimmerfaden auf die richtige Länge.
- Weichen Sie den Trimmerfaden vor der Verwendung für einige Tage in Wasser ein, um die Lebensdauer zu erhöhen.

Sicherer Umgang mit Akkus



WARNUNG: Lesen Sie die folgenden Warnhinweise, bevor Sie das Gerät verwenden.

- Verwenden Sie nur Akkus der BLi-Serie und der 40-B-Serie. Weitere Informationen finden Sie unter *Technische Angaben auf Seite 91*. Der Akku verfügt über eine Softwareverschlüsselung.
- Verwenden Sie als Stromversorgung für die zugehörigen Husqvarna Geräte nur wiederaufladbare Akkus der BLi-Serie und der 40-B-Serie. Um Verletzungen zu vermeiden, verwenden Sie den Akku nicht zur Energieversorgung anderer Geräte.
- Es besteht die Gefahr von elektrischen Schlägen. Verbinden Sie die Akkuklemmen nicht mit Schlüsseln, Münzen, Schrauben oder anderen metallischen Gegenständen. Dadurch kann es zu einem Kurzschluss des Akkus kommen.
- Verwenden Sie keine nicht aufladbaren Akkus.
- Legen Sie keine Gegenstände in die Luftschlitze des Akkus.
- Halten Sie den Akku von direkter Sonneneinstrahlung, Hitze oder offenem Feuer fern. Der Akku kann Verbrennungen und/oder chemische Verätzungen verursachen.
- Halten Sie den Akku von Regen und Feuchtigkeit fern.
- Halten Sie den Akku von Mikrowellen und hohem Druck fern.
- Versuchen Sie nicht, den Akku zu zerlegen oder aufzubrechen.
- Wenn aus dem Akku Flüssigkeit austritt, vermeiden Sie Haut- oder Augenkontakt mit dieser. Sollten Sie dennoch mit der Flüssigkeit in Berührung gekommen sein, reinigen Sie den Bereich mit ausreichend Wasser und Seife und suchen Sie medizinische Hilfe auf. Sollte Flüssigkeit in Ihre Augen gelangen, reiben Sie diese nicht, sondern spülen Sie sie mindestens 15 Minuten lang mit reichlich Wasser aus, und suchen Sie anschließend einen Arzt auf.
- Der Akku darf nur bei Temperaturen zwischen -10 °C (14 °F) und 40 °C (114 °F) verwendet werden.

- Reinigen Sie weder den Akku noch das Ladegerät mit Wasser. Siehe *So reinigen Sie das Gerät, den Akku und das Ladegerät auf Seite 88*.
- Verwenden Sie keine fehlerhaften oder beschädigten Akkus.
- Lagern Sie Akkus getrennt von Metallgegenständen wie Nägeln, Schrauben oder Schmuck.
- Halten Sie den Akku fern von Kindern.

Sicherer Umgang mit dem Ladegerät



WARNUNG: Lesen Sie die folgenden Warnhinweise, bevor Sie das Gerät verwenden.

- Gefahr von elektrischen Schlägen oder Kurzschluss, wenn die Sicherheitshinweise nicht beachtet werden.
- Verwenden Sie nur das mitgelieferte Ladegerät für Ihr Gerät. Verwenden Sie zum Laden von Ersatzakkus der BLi-Serie und der 40-B-Serie ausschließlich Ladegeräte vom Typ QC80 und 40-C80.
- Das Ladegerät nicht zerlegen.
- Verwenden Sie keine fehlerhaften oder beschädigten Ladegeräte.
- Heben Sie das Ladegerät nicht am Netzkabel an. Um das Ladegerät von der Steckdose zu trennen, ziehen Sie am Netzstecker. Ziehen Sie nicht am Netzkabel.
- Achten Sie darauf, dass keines der Kabel und Verlängerungskabel mit Wasser, Öl oder scharfen Kanten in Berührung kommt. Achten Sie darauf, dass Kabel nicht zwischen Objekten, z. B. Türen, Zäunen o. Ä., eingeklemmt werden.
- Das Ladegerät darf nicht in der Nähe von entflammaren Materialien oder Materialien, die Korrosion verursachen können, verwendet werden. Vergewissern Sie sich, dass das Ladegerät nicht abgedeckt ist. Bei Rauchentwicklung oder Feuer muss der Stecker des Ladegeräts sofort aus der Steckdose gezogen werden.
- Laden Sie den Akku nur in geschlossenen Räumen an einem Ort mit guter Luftzirkulation und ohne direkte Sonneneinstrahlung. Laden Sie den Akku nicht im Freien. Auf keinen Fall Akkus in feuchter Umgebung laden.
- Verwenden Sie das Ladegerät nur bei mit einer Temperatur zwischen 5 °C (41 °F) und 40 °C

(104 °F). Verwenden Sie das Ladegerät nur in einer gut belüfteten, trockenen und staubfreien Umgebung.

- Legen Sie keine Gegenstände in die Kühlschlitze des Ladegeräts.
- Verbinden Sie die Anschlüsse des Ladegeräts niemals mit Metallgegenständen. Dies kann zu einem Kurzschluss im Ladegerät führen.
- Nutzen Sie zugelassene Steckdosen, die nicht beschädigt sind. Stellen Sie sicher, dass das Kabel des Ladegeräts nicht beschädigt ist. Wenn Verlängerungskabel verwendet werden, stellen Sie sicher, dass diese nicht beschädigt sind.
- Setzen Sie keine nicht wiederaufladbaren Akkus in das Ladegerät ein.

Sicherheitshinweise für die Wartung



WARNUNG: Lesen Sie die folgenden Warnhinweise, bevor Sie das Gerät warten.

- Entfernen Sie vor Wartungs-, Kontroll- oder Montagearbeiten den Akku.
- Der Bediener darf nur die Wartungs- und Servicearbeiten ausführen, die in dieser Bedienungsanleitung beschrieben sind. Für darüber hinausgehende Wartungs- und Servicearbeiten wenden Sie sich bitte an Ihren Servicehändler.
- Reinigen Sie weder den Akku noch das Ladegerät mit Wasser. Starke Reiniger können den Kunststoff beschädigen.
- Wenn Wartungsarbeiten nicht durchgeführt werden, verringert sich die Lebensdauer des Geräts und die Unfallgefahr steigt.
- Für alle Service- und Reparaturarbeiten, insbesondere an den Sicherheitsvorrichtungen des Geräts, ist eine spezielle Schulung erforderlich. Wenn nach Durchführung der Wartungsarbeiten nicht alle in dieser Bedienungsanleitung beschriebenen Prüfungen mit positivem Ergebnis ausfallen, wenden Sie sich an Ihren Servicehändler. Wir garantieren Ihnen, dass für Ihr Gerät professionelle Service- und Reparaturdienste verfügbar sind.
- Nur Original-Ersatzteile verwenden.

Montage

Einleitung



WARNUNG: Lesen Sie vor der Montage des Geräts das Kapitel über Sicherheit, und machen Sie sich damit vertraut.

So befestigen Sie den Schneidausrüstungsschutz

1. Setzen Sie den Schneidausrüstungsschutz auf das Motorgehäuse. (Abb. 30)
2. Überprüfen Sie die Verschlusshaken. (Abb. 31)

3. Ziehen Sie die Schraube fest. Verwenden Sie hierzu einen Kombischlüssel. (Abb. 32)
4. Ziehen Sie die Schraube fest.

So wechseln Sie die Schneidausrüstung

1. Stecken Sie den Kombischlüssel in das Loch, so dass die Welle arretiert wird. (Abb. 33)
2. Drehen Sie die Schneidausrüstung und drücken Sie vorsichtig den Kombischlüssel, bis die Abtriebswelle blockiert ist.
3. Drehen Sie die Schneidausrüstung zum Entfernen im Uhrzeigersinn. Stellen Sie sicher, dass sich das Mitnehmerrad in der richtigen Position befindet, bevor Sie die Schneidausrüstung montieren. (Abb. 34)
4. Montieren Sie die neue Schneidausrüstung in umgekehrter Reihenfolge. (Abb. 35) (Abb. 36)

Hinweis: Stellen Sie sicher, dass das Mitnehmerrad richtig montiert ist, bevor Sie die Schneidausrüstung anbringen.

So installieren Sie den Pflanzenschutz

1. Installieren Sie den Pflanzenschutz in den Löchern am Motorgehäuse. (Abb. 37)
2. Stellen Sie sicher, dass sich der Pflanzenschutz frei nach vorn und hinten bewegen kann. (Abb. 38)

So montieren Sie den Loophandgriff

1. Führen Sie die Schraube in den Loophandgriff ein. (Abb. 39)
2. Befestigen Sie den Loophandgriff am Anbauteil am Führungsrohr.
3. Ziehen Sie die Schrauben an.
4. Stellen Sie den Loophandgriff auf die richtige Position ein. Siehe *So stellen Sie den Loophandgriff und den Teleskopschaft ein auf Seite 86.*

So installieren Sie das Ladegerät (40-C80) an der Wand



ACHTUNG: Verwenden Sie keinen Akkuschauber, um das Ladegerät an der Wand zu installieren. Ein Akkuschauber kann das Ladegerät beschädigen.

1. Befestigen Sie das Ladegerät mit den 2 Schrauben (A) an der Wand. Verwenden Sie bei Bedarf Dübel (B). (Abb. 40)
2. Setzen Sie die beiden Bohrlochstopfen (C) ein.
3. Schließen Sie das Netzkabel (D) an das Ladegerät und an eine Steckdose an.

Betrieb

Einleitung



WARNUNG: Lesen Sie vor Gebrauch des Geräts das Kapitel über Sicherheit, und machen Sie sich damit vertraut.

Bevor Sie das Gerät in Betrieb nehmen

- Untersuchen Sie den Arbeitsbereich, um sicherzustellen, dass Sie sich mit der Beschaffenheit des Geländes auskennen. Überprüfen Sie das Bodengefälle, und achten Sie auf Hindernisse wie Steine, Äste und Löcher.
- Unterziehen Sie das Gerät einer allgemeinen Inspektion.
- Führen Sie Sicherheitskontrollen, Wartungen und Servicemaßnahmen durch, die in dieser Betriebsanleitung beschrieben sind.
- Prüfen Sie den Motor auf Verschmutzung und Risse. Verwenden Sie eine Bürste, um den Motor von Gras und Laub zu reinigen. Verwenden Sie Handschuhen, falls notwendig.
- Überprüfen Sie den Trimmerkopf und die Schutzvorrichtung für die Schneidausrüstung auf Beschädigungen oder Risse. Ersetzen Sie den

Trimmerkopf und die Schutzvorrichtung für die Schneidausrüstung bei Beschädigungen oder Rissen.

- Stellen Sie sicher, dass alle Muttern und Schrauben fest angezogen sind.
- Stellen Sie sicher, dass alle Abdeckungen, Schutzvorrichtungen, Griffe und das Schneidwerk richtig montiert und nicht beschädigt sind, bevor Sie das Gerät starten.

Akku



WARNUNG: Lesen Sie vor Gebrauch des Akkus das Kapitel über Sicherheit, und machen Sie sich damit vertraut. Lesen Sie außerdem die Bedienungsanleitung für den Akku und das Ladegerät, und machen Sie sich damit vertraut.

Sorgen Sie für die richtigen Umgebungstemperaturen von Akku und Ladegerät.

	Umgebungstemperatur
Betrieb des Geräts	-5 °C–40 °C/23 °F–104 °F

	Umgebungstemperatur
Laden des Akkus	5 °C–40 °C/41 °F–104 °F

Akkuladezustand

Auf dem Display werden der Ladezustand und eventuelle Störungen des Akkus angezeigt.

(Abb. 41)

LED-Anzeigelampe	Akkustatus (Ladezustand)	
	BLi10, BLi20	40-B70, 40-B140
4 LEDs leuchten	k.A.	Der Akku ist zu 76 % - 100 % geladen.
3 LEDs leuchten	Der Akku ist zu 76 % - 100 % geladen.	Der Akku ist zu 51 % - 75 % geladen.
2 LEDs leuchten	Der Akku ist zu 51 % - 75 % geladen.	Der Akku ist zu 26 % - 50 % geladen.
1 LED leuchtet	Der Akku ist zu 26 % - 50 % geladen.	Der Akku ist zu 6 % - 25 % geladen.
1 LED blinkt	Der Akku ist zu 0 % - 25 % geladen.	Der Akku ist zu 0 % - 5 % geladen.

So laden Sie den Akku

Laden Sie den Akku, wenn Sie ihn zum ersten Mal verwenden. Ein neuer Akku ist nur zu 30 % geladen.



ACHTUNG: Schließen Sie das Ladegerät an eine Steckdose mit der auf dem Typenschild angegebenen Spannung und Frequenz an.

Der Akku wird nicht aufgeladen, wenn die Akkutemperatur mehr als 50 °C/122° F beträgt.

1. Schließen Sie das Netzkabel an das Ladegerät an.
2. Schließen Sie das Ladegerät an eine geerdete Steckdose an. Die Lade-LED blinkt ein Mal. (Abb. 42)
3. Schließen Sie den Akku an das Ladegerät an. Die Lade-LED leuchtet auf. Laden Sie den Akku für maximal 24 Stunden. (Abb. 43)
4. Drücken Sie die Taste für den Akku-Ladezustand. Wenn alle LED-Anzeigelampen aufleuchten, ist der Akku vollständig geladen.
5. Ziehen Sie den Netzstecker, um das Ladegerät von der Steckdose zu trennen. Ziehen Sie nicht am Netzkabel.
6. Nehmen Sie den Akku aus dem Ladegerät.

So schließen Sie den Akku an das Gerät an



WARNUNG: Verwenden Sie im Gerät nur den Original-Husqvarna-Akku.

1. Den Akku vollständig aufladen.

2. Drücken Sie den Akku in das Akkufach des Geräts. Der Akku rastet einem hörbaren Klickgeräusch in der richtigen Position ein. (Abb. 44)



ACHTUNG: Wenn sich der Akku nicht leicht in das Akkufach bewegt, ist der Akku nicht richtig eingesetzt. Dadurch kann das Gerät beschädigt werden.

So starten Sie das Gerät

1. Halten Sie die Start-/Stopptaste gedrückt, bis das grüne LED-Licht aufleuchtet. (Abb. 45)
2. Drücken Sie die Gashebelsperre und den Gashebel. Die Schneidusrüstung beginnt sich zu drehen.

So stellen Sie den Loophandgriff und den Teleskopschaft ein

1. Lösen Sie den Arretierhebel und bringen Sie den Loophandgriff in die richtige Position. (Abb. 46)
2. Schließen Sie den Arretierhebel.
3. Lösen Sie den Hebel am Schaft. (Abb. 47)
4. Stellen Sie die richtige Länge am Schaft ein. Stellen Sie sicher, dass Sie das Dreieck auf dem Schaft sehen können. (Abb. 48)
5. Schließen Sie den Hebel und ziehen Sie die Schraube an.

Hinweis: Befestigen Sie den Schlaufengriff am Schaft nicht an den Warnaufklebern.

So verwenden Sie die SavE-Funktion

Dieses Gerät verfügt über die Energiesparfunktion SavE.

Hinweis: Die Funktion SavE vermindert nicht die Schneidleistung des Geräts.

1. Drücken Sie die SavE-Taste (Energiespartaste) auf dem Tastenfeld.
2. Stellen Sie sicher, dass die grüne LED aufleuchtet.
3. Drücken Sie die savE-Taste erneut, wenn Sie die Funktion deaktivieren möchten. Die grüne LED erlischt. (Abb. 49)

Automatische Abschaltfunktion

Das Gerät verfügt über eine Abschaltfunktion, die das Gerät anhält, wenn es nicht verwendet wird. Die grüne LED für die Start/Stop-Anzeige erlischt, und das Gerät stoppt nach 180 Sekunden.

Inbetriebnahme des Geräts

So schneiden Sie das Gras

1. Stellen Sie sicher, dass die Kunststoffmesser oder der Trimmerfaden beim Rasenmähen parallel zum Boden läuft. (Abb. 50)
2. Drücken Sie den Tri-Cut oder Trimmerkopf nicht auf den Boden. Dadurch kann das Gerät beschädigt werden.

Hinweis: Eine niedrige Umgebungstemperatur nahe 0 °C kann zum Bruch der Klinge oder des Trimmerfadens führen.

3. Schwenken Sie das Gerät von Seite zu Seite, während Sie das Gras schneiden. (Abb. 51)

Hinweis: Verwenden Sie das Gerät nicht mit einer beschädigten Schneidausrüstung. Eine beschädigte Schneidausrüstung kann zu Unwuchten führen und das Gerät beschädigen.

So blasen Sie Gras fort

Der Luftstrom aus den rotierenden Kunststoffmessern oder dem Trimmerfaden kann verwendet werden, um Gras aus einem Bereich zu entfernen.

1. Halten Sie die Kunststoffmesser, den Trimmerkopf oder den Trimmerfaden parallel zum Boden und über dem Boden.
2. Geben Sie Vollgas.
3. Bewegen Sie die Schneidausrüstung von einer Seite zur anderen, und blasen Sie das Gras fort.



WARNUNG: Reinigen Sie die Abdeckung der Schneidausrüstung jedes Mal, wenn Sie neue Kunststoffmesser oder einen neuen Trimmerfaden zusammenbauen, um Unwucht und Vibrationen in den Handgriffen zu vermeiden. Sie sollten auch die anderen Teile der Schneidausrüstung überprüfen und bei Bedarf reinigen.

So schneiden Sie nahe an Objekten

1. Ziehen Sie den Pflanzenschutzbügel herunter. (Abb. 52)
2. Verwenden Sie den Pflanzenschutzbügel, um Schäden an anderen Objekten zu vermeiden. (Abb. 53)

So stoppen Sie das Gerät

1. Lassen Sie den Gashebel und die Gashebelsperre los.
2. Drücken Sie die Start/Stopptaste, bis die grüne LED erlischt.
3. Drücken Sie die Entriegelungstasten am Akku, und nehmen Sie den Akku aus dem Gerät heraus. (Abb. 54)

So ersetzen Sie Kunststoffmesser oder Trimmerfaden

Diese Information finden Sie auf den letzten Seiten dieser Bedienungsanleitung.

Wartung

Einleitung



WARNUNG: Lesen Sie vor dem Warten des Geräts das Kapitel über Sicherheit, und machen Sie sich damit vertraut.

Wartungsplan



WARNUNG: Entfernen Sie den Akku, bevor Sie Wartungsarbeiten durchführen.

Nachstehend sind die am Gerät vorzunehmenden
Wartungsmaßnahmen aufgelistet. Weitere

Informationen finden Sie unter *Geräteübersicht auf Seite
76.*

Instand halten	Täglich	Wöchent- lich	Monatlich
Die äußeren Teile des Geräts mit einem sauberen und trockenen Tuch reinigen. Kein Wasser verwenden.	X		
Darauf achten, dass die Start- und die Stopptaste richtig funktionieren und unbeschädigt sind.	X		
Sicherstellen, dass Gashebel und Gashebelsperre sicherheitstechnisch ordnungsgemäß funktionieren.	X		
Sicherstellen, dass die Griffe sauber und trocken sind.	X		
Sicherstellen, dass der Schutz für die Schneidaurüstung unbeschädigt ist. Den Schutz für die Schneidaurüstung bei Beschädigung ersetzen.	X		
Sicherstellen, dass der Griff oder der Lenker nicht beschädigt und korrekt angebracht ist.	X		
Den Verriegelungsmechanismus des Teleskopschafts überprüfen. Siehe <i>So überprüfen Sie den Verriegelungsmechanismus des Teleskopschafts auf Seite 89.</i>	X		
Das Akkuladegerät überprüfen, um sicherzustellen, dass es ordnungsgemäß funktioniert und nicht beschädigt ist.	X		
Sicherstellen, dass der Akku unbeschädigt ist.	X		
Sicherstellen, dass der Akku vollständig geladen ist.	X		
Stellen Sie sicher, dass das Akkuladegerät nicht beschädigt ist.	X		
Sicherstellen, dass alle äußeren Schrauben und Muttern fest angezogen sind.		X	
Achten Sie darauf, dass die Entriegelungstasten am Akku ordnungsgemäß funktionieren und der Akku in das Gerät einrastet.		X	
Überprüfen, ob sich Schmierfett in der Trimmerkopfspule befindet.		X	
Die Verbindungen zwischen dem Akku und dem Gerät reinigen und prüfen.			X
Die Verbindung zwischen dem Akku und dem Akkuladegerät reinigen und prüfen.			X

So prüfen Sie den Akku und das Ladegerät

1. Untersuchen Sie den Akku auf Schäden, z. B. Risse.
2. Untersuchen Sie das Akkuladegerät auf Schäden, z. B. Risse.
3. Stellen Sie sicher, dass das Verbindungskabel des Akkuladegeräts nicht beschädigt ist und dass keine Risse vorhanden sind.

So reinigen Sie das Gerät, den Akku und das Ladegerät

1. Reinigen Sie das Gerät nach jedem Gebrauch mit einem trockenen Tuch.

2. Reinigen Sie Akku und Ladegerät mit einem trockenen Tuch. Die Akkuführungsschienen sauber halten.
3. Stellen Sie sicher, dass die Klemmen an Akku und Ladegerät sauber sind, bevor der Akku in das Ladegerät oder das Gerät gesteckt wird.

So überprüfen und ersetzen Sie den Tri-Cut

1. Kontrollieren Sie den Tri-Cut auf Beschädigungen und Risse.
2. Entfernen Sie den Tri-Cut. *Siehe „So entfernen Sie den Tri-Cut“ auf der letzten Seite der Bedienungsanleitung.*

3. Montieren Sie den Tri-Cut. Siehe *So wechseln Sie die Schneidausrüstung auf Seite 85.*

2. Stellen Sie die Drehmomentkraft ein. (Abb. 55)

So überprüfen Sie den Verriegelungsmechanismus des Teleskopschafts

1. Überprüfen Sie den Verriegelungsmechanismus des Teleskopschafts.

Fehlerbehebung

Bedienpanel

LED-Bildschirm	Mögliche Fehler	Mögliche Abhilfe
Die Fehler-LED blinkt.	Überlastung	Die Schneidausrüstung ist nicht frei beweglich. Nehmen Sie die Schneidausrüstung ab.
	Temperaturabweichung	Lassen Sie das Gerät abkühlen.
Das Gerät springt nicht an.	Drücken Sie gleichzeitig den Gashebel und die Start-Taste.	Lassen Sie den Gashebel los, und stoppen Sie das Gerät.
Die Fehler-LED leuchtet rot auf.	Das Gerät muss gewartet werden.	Wenden Sie sich an Ihren Servicehändler.

Akku

LED-Anzeige	Mögliche Fehler	Mögliche Fehlerbehebung
Die grüne LED blinkt.	Geringe Akkuspannung.	Laden Sie den Akku.
Die Fehler-LED blinkt.	Temperaturabweichung.	Der Akku darf nur bei Temperaturen zwischen -10°C (14°F) und 40°C (104°F) verwendet werden.
	Überspannung.	Kontrollieren Sie, ob die Netzspannung mit der auf dem Typenschild des Geräts angegebenen Spannung übereinstimmt. Nehmen Sie den Akku aus dem Ladegerät.
Die Fehler-LED leuchtet.	Die Zellendifferenz ist zu groß (1 V).	Wenden Sie sich an Ihren Servicehändler.

Akkuladegerät

Problem	Mögliche Fehler	Mögliche Abhilfe
Die Lade-LED leuchtet rot.	Dauerhafter Ladegerätfehler.	Wenden Sie sich an Ihren Händler.

Problem	Mögliche Fehler	Mögliche Abhilfe
Die Lade-LED blinkt grün.	Temperaturabweichung, der Akku ist zu kalt oder zu heiß zum Laden.	Lassen Sie den Akku abkühlen, oder erwärmen Sie ihn. Wenn der Akku die richtige Temperatur hat, kann er wieder verwendet oder aufgeladen werden. Das Akkuladegerät darf nur bei Umgebungstemperaturen zwischen 5 °C und 40 °C verwendet werden.
Die Lade-LED blinkt rot.	Akku defekt.	Wenden Sie sich an Ihren Händler.

Transport, Lagerung und Entsorgung

Transport und Lagerung

- Die mitgelieferten Lithium-Ionen-Akkus entsprechen den Anforderungen des Gefahrgutrechts.
- Beachten Sie für den gewerblichen Transport, auch durch Dritte oder Speditionen, die gesonderten Anforderungen auf Verpackung und Etiketten.
- Sprechen Sie sich vor dem Versand des Geräts mit einer Person ab, die speziell im Gefahrgutversand geschult ist. Beachten Sie sämtliche geltenden nationalen Vorschriften.
- Bedecken Sie offene Kontakte mit Klebeband, wenn Sie den Akku in eine Verpackung legen. Stellen Sie sicher, dass der Akku in der Verpackung nicht verrutschen kann.
- Entnehmen Sie den Akku für die Lagerung oder den Transport.
- Bringen Sie den Akku und das Ladegerät an einem Ort unter, der trocken und frei von Feuchtigkeit und Frost ist.
- Lagern Sie den Akku nicht an einem Ort, an dem es zu elektrostatischen Entladungen kommen kann. Bewahren Sie den Akku nicht in einem Metallkasten auf.
- Stellen Sie bei der Lagerung des Akkus sicher, dass die Temperatur zwischen 5 °C/41 °F und 25 °C/77 °F liegt und der Akku keinem direkten Sonnenlicht ausgesetzt ist.
- Stellen Sie bei der Lagerung des Akkuladegeräts sicher, dass die Temperatur zwischen 5 °C/41 °F und 45 °C/113 °F liegt und das Ladegerät keinem direkten Sonnenlicht ausgesetzt ist.
- Das Ladegerät darf nur verwendet werden, wenn die Umgebungstemperatur zwischen 5 °C/41 °F und 40 °C/104 °F liegt.
- Laden Sie den Akku auf 30 bis 50 %, bevor Sie ihn über längere Zeit einlagern.
- Lagern Sie das Akkuladegerät in einem geschlossenen und trockenen Raum.
- Achten Sie bei der Lagerung darauf, dass sich der Akku nicht in unmittelbarer Nähe zum Ladegerät befindet. Kinder und andere nicht befugte Personen

dürfen die Ausstattung nicht berühren. Verwahren Sie die Ausstattung in einem abschließbaren Raum.

- Reinigen Sie das Gerät und führen Sie umfassende Servicearbeiten durch, bevor Sie es längere Zeit einlagern.
- Verwenden Sie für das Gerät einen Transportschutz, um Verletzungen oder Schäden am Gerät bei Transport und Lagerung zu vermeiden.
- Befestigen Sie das Gerät während des Transports sicher.

Entsorgung von Akku, Ladegerät und Gerät

Symbole auf dem Gerät oder seiner Verpackung zeigen an, dass dieses Gerät kein Hausmüll ist. Recyceln Sie es an einer Recyclingstation für elektrische und elektronische Geräte. So werden Umwelt- und Personenschäden vermieden.

Wenden Sie sich für weitere Informationen zum Recycling Ihres Geräts an Ihre örtlichen Behörden, Abfallentsorgungsunternehmen oder Ihren Händler.

Entsorgen von Elektro- und Elektronik-Altgeräten

Gilt nur für Deutschland



Die durchgestrichene Abfalltonne weist darauf hin, dass Sie gesetzlich verpflichtet sind, dieses Gerät getrennt vom unsortierten Siedlungsabfall zu entsorgen. Die Entsorgung im Restmüll oder im gelben Sack ist verboten. Wenn das Produkt Einwegbatterien oder Akkus enthält, die nicht dauerhaft installiert sind, müssen diese vor der Entsorgung des Produkts entfernt und separat als Batterien bzw. Akkus entsorgt werden.

Entfernen von Batterien, Akkus und Leuchtmitteln:

Batterien, Akkus oder Leuchtmittel, die aus dem Produkt entfernt werden können, ohne es zu beschädigen, müssen vor der Entsorgung entfernt und separat als Batterien, Akkus oder Leuchtmittel entsorgt werden. Die folgenden Batterien oder Akkus sind in diesem Produkt enthalten:

- **Akkutyp:** Li-ion
- **Chemie:** Lithium

Informationen zur Rückgabe von Elektro- und Elektronik-Altgeräten für Privathaushalte:

Wie im Folgenden näher beschrieben, sind bestimmte Vertreter verpflichtet, Elektro- und Elektronik-Altgeräte kostenlos zurückzunehmen.

Vertreiter von Elektro- und Elektronikgeräten mit einer Verkaufsfläche von mindestens 400 m² und Lebensmittelhändler mit einer Gesamtverkaufsfläche von mindestens 800 m², die mehrmals im Kalenderjahr oder beständig Elektro- und Elektronikgeräte abgeben und verkaufen, sind unter den folgenden Umständen zur Rücknahme von Geräten verpflichtet:

1. Beim Verkauf eines neuen Elektro- oder Elektronikgeräts muss der Vertreter ein Altgerät desselben Gerätetyps kostenlos zurücknehmen, das im Wesentlichen die gleichen Funktionen wie das neue Gerät bereitstellt. Dies muss an dem Standort, an dem das Gerät abgegeben wird, oder in unmittelbarer Nähe geschehen. Privathaushalte gelten auch als der Ort, an dem das Gerät abgegeben wird, sofern das Produkt dorthin geliefert wird: In diesem Fall werden Altgeräte ohne Kosten für den Endbenutzer abgeholt.
2. Der Vertreter muss Altgeräte mit einem Durchmesser von weniger als 25 cm auf Wunsch des Endbenutzers an der Verkaufsstelle oder in unmittelbarer Nähe zurücknehmen. Diese Rückgabe muss nicht mit dem Kauf von Elektro- oder Elektronikgeräten in Verbindung stehen und ist auf drei Altgeräte pro Gerätetyp beschränkt.

Bei Abschluss des Kaufvertrags für ein neues Elektro- oder Elektronikgerät muss der Vertreter den Endbenutzer über sein Recht informieren, das Altgerät

zurückzugeben oder kostenlos abholen zu lassen, und den Endbenutzer fragen, ob er beabsichtigt, ein Altgerät bei der Lieferung des neuen Geräts zurückzugeben.

Dies gilt auch für den Vertrieb über Telekommunikation, wenn die Lager- und Versandfläche für Elektro- und Elektronikgeräte mindestens 400 m² beträgt oder wenn die gesamte Lager- und Versandfläche mindestens 800 m² beträgt, wobei die kostenlose Abholung von Elektro- oder Elektronikgeräten auf die folgenden Kategorien beschränkt ist:

- 1 (Wärmeüberträger)
- 2 (Geräte mit Displays) und
- 4 (große Geräte mit mindestens einer äußeren Abmessung von mehr als 50 cm)

Für alle anderen Elektro- und Elektronikgeräte muss der Vertreter entsprechende Rücknahmestellen in angemessener Nähe zum Endverbraucher sicherstellen. Dies gilt auch für Altgeräte, bei denen keine äußere Abmessung 25 cm überschreitet, die der Endbenutzer zurückgeben möchte, ohne ein neues Gerät zu erwerben.

Datenschutz

Alle Endbenutzer von Elektro- und Elektronik-Altgeräten sind dafür verantwortlich, alle personenbezogenen Daten von den zu entsorgenden Elektro- und Elektronik-Altgeräten zu löschen.

WEEE-Registrierungsnummer

Husqvarna 10168717

Sammlungs- und Verwertungsraten

Gemäß der WEEE-Richtlinie sind die EU-Mitgliedstaaten verpflichtet, Daten über Elektro- und Elektronik-Altgeräte zu sammeln und diese Daten an die Europäische Kommission zu übermitteln. Weitere Informationen hierzu finden Sie auf der BMUV-Website: <https://www.bmu.de/themen/wasser-ressourcen-abfall/kreislaufwirtschaft/statistiken/elektro-und-elektronikaltgeraete>

Technische Angaben

Technische Daten

	215iL-TC
Motor	
Motortyp	BLDC
Drehzahl der Abtriebswelle, U/min	6800
Schnittbreite, mm	255
Gewicht	

	215iL-TC
Gewicht ohne Akku, kg	2,9
Geräuschemissionen ¹³	
Schalleistungspegel, gemessen dB (A)	90,8
Schalleistungspegel, garantiert L _{WA} dB (A)	93
Geräuschpegel ¹⁴	
Äquivalenter Schalldruckpegel am Ohr des Bedieners, gemessen gemäß IEC 62841-4-4, dB (A)	81,3
Vibrationspegel ¹⁵	
Vibrationspegel an den Griffen, gemessen nach IEC 62841-4-4, m/s ²	3,0/2,7
Ausgestattet mit Trimmerkopf (Original), vorne/hinten.	

Zugelassene Akkus für das Gerät

Akku	BLi10		BLi20		40-B70	40-B140
Typ	Lithium-Ionen		Lithium-Ionen		Lithium-Ionen	Lithium-Ionen
Akkukapazität, Ah	Siehe Aufkleber zur Akkukapazität		Siehe Aufkleber zur Akkukapazität		Siehe Aufkleber zur Akkukapazität	Siehe Aufkleber zur Akkukapazität
Nennspannung, V	36	36,5	36	36,5	36	36
Gewicht, lb/kg	0,7	0,7	1,2	1,2	0,8	1,25

Zugelassene Ladegeräte für das Gerät

Akkuladegerät	QC80	40-C80
Netzspannung, V	100-240	100-240
Frequenz, Hz	50-60	50-60
Leistung, W	100	72
Ausgangsspannung, V DC/ Ampere, A	36/2	43/1,6

¹³ Umweltbelastende Geräuschemissionen, gemessen als Schalleistung (L_{WA}) gemäß EG-Richtlinie 2000/14/EG. Die Differenz zwischen garantiertem und gemessenem Schalleistungspegel besteht darin, dass beim garantierten Schalleistungspegel auch eine Streuung im Messergebnis und Variationen zwischen verschiedenen Geräten desselben Modells gemäß der Richtlinie 2000/14/EG berücksichtigt werden.

¹⁴ Berichten zufolge liegt der Schalldruckpegel für dieses Gerät normalerweise bei einer Ausbreitungsklasse (Standardabweichung) von 3 dB (A).

¹⁵ Berichten zufolge liegt der Vibrationspegel normalerweise bei einer Ausbreitungsklasse (Standardabweichung) von 1,5 m/s².

Zubehör

Zugelassenes Zubehör

Zugelassenes Zubehör	Typ	Schutz für die Schneidausrüstung, Teile-Nr.
Trimmerkopf	R25B (Faden-Ø 2 mm)	529 96 69-01
Trimmerkopf	Tri-Cut B (255 mm)	529 96 69-01

Konformitätserklärung

EU-Konformitätserklärung

Die **Husqvarna AB**, SE-561 82 Huskvarna, Schweden,
Tel.: +46-36-146500, erklärt in alleiniger Verantwortung,
dass das Gerät:

Beschreibung	Akku-Grastrimmer
Marke	Husqvarna
Typ/Modell	215iL-TC
Identifizierung	Seriennummern ab 2025

die folgenden EU-Richtlinien und -Verordnungen erfüllt:

Richtlinie/Verordnung	Beschreibung
2006/42/EG	„Maschinenrichtlinie“
2014/30/EG	„über elektromagnetische Verträglichkeit“
2000/14/EG	„über umweltbelastende Geräuschemissionen von zur Verwendung im Freien vorgesehenen Geräten und Maschinen“
2011/65/EU	„zur Beschränkung der Verwendung bestimmter gefährlicher Stoffe in Elektro- und Elektronikgeräten“

und dass die folgenden Normen und/oder
technischen Daten angewendet werden: EN
62841-1:2015+A11:2022, IEC 62841-4-4:2020, EN
ISO 12100:2010, EN IEC 63000:2018, EN IEC
55014-1:2021; EN IEC 55014-2:2021.

Benannte Stelle: 0036 TÜV SÜD
Industrie Service GmbH, Westendstraße199,80686
München, Germany bestätigte die Konformität
mit der Richtlinie 2000/14/EG,
Konformitätsbewertungsverfahren nach: Anhang VI.

Informationen zu Geräuschemissionen finden Sie unter
Technische Daten auf Seite 91.

Huskvarna, 2025-01-10



Claes Losdal, R&D Manager, Husqvarna AB

Verantwortlich für die technische Dokumentation



Περιεχόμενα

Εισαγωγή.....	95	Μεταφορά, αποθήκευση και απόρριψη.....	109
Ασφάλεια.....	96	Τεχνικά στοιχεία.....	110
Συναρμολόγηση.....	104	Αξεσουάρ.....	111
Λειτουργία.....	104	Δήλωση Συμμόρφωσης.....	112
Συντήρηση.....	107	Απεξα	478
Αντιμετώπιση προβλημάτων.....	108		

Εισαγωγή

Περιγραφή προϊόντος

Το Husqvarna 215iL-TC είναι ένα χορτοκοπτικό με μπαταρία και ηλεκτροκινητήρα.

Εργαζόμεστε συνεχώς για απολαμβάνετε μεγαλύτερη ασφάλεια και υψηλότερη απόδοση κατά τη διάρκεια της εργασίας. Απευθυνθείτε στον αντιπρόσωπο σέρβις για περισσότερες πληροφορίες.

Προβλεπόμενη χρήση

Το προϊόν χρησιμοποιείται με μη μεταλλικές πλαστικές λεπίδες. Μην χρησιμοποιείτε το προϊόν για άλλες

Επισκόπηση προϊόντος

(Εικ. 1)

1. Κεφαλή χορτοκοπτικού Tri-Cut
2. Προστατευτικό εξαρτήματος κοπής
3. Άξονας
4. Ρύθμιση άξονα (τηλεσκοπική)
5. Χειρολαβή τύπου βροχού
6. Πληκτρολόγιο
7. Προειδοποιητική ένδειξη πληκτρολογίου
8. Κουμπί εκκίνησης/διακοπής λειτουργίας
9. Κουμπί λειτουργίας εξοικονόμησης SavE
10. Σκανδάλη γκαζιού
11. Ασφάλεια σκανδάλης γκαζιού
12. Ένδειξη λειτουργίας και προειδοποίησης
13. Συνδετήρας
14. Φορτιστής μπαταρίας 40-C80
15. Προφυλακτήρας φυτών
16. Ένδειξη θερμοκρασίας μπαταρίας
17. Κατάσταση μπαταρίας
18. Κουμπί ένδειξης μπαταρίας
19. Κουμπιά απελευθέρωσης μπαταρίας
20. Μπαταρία
21. Πολυεργαλείο
22. Δίσκος μετάδοσης
23. Εγχειρίδιο χρήσης

εργασίες εκτός από την κοπή αγριόχορτων, χόρτων ή παρόμοιας μαλακής βλάστησης.

Περιεχόμενα Μπορεί να ισχύουν εθνικοί κανονισμοί που θέτουν όρια στη χρήση του προϊόντος.

Χρησιμοποιείτε το προϊόν μόνο με τα αξεσουάρ που έχουν εγκριθεί από τον κατασκευαστή. Ανατρέξτε στην ενότητα *Αξεσουάρ στη σελίδα 111*.

Σύμβολα στο προϊόν

- (Εικ. 2) **ΠΡΟΕΙΔΟΠΟΙΗΣΗ:** Αυτό το προϊόν μπορεί να είναι επικίνδυνο και να προκαλέσει σοβαρό τραυματισμό ή θάνατο του χειριστή ή άλλων ατόμων. Να είστε προσεκτικοί και να χρησιμοποιείτε το προϊόν σωστά.
- (Εικ. 3) Προτού χρησιμοποιήσετε το προϊόν, διαβάστε προσεκτικά το εγχειρίδιο χρήσης και βεβαιωθείτε ότι έχετε κατανοήσει τις οδηγίες.
- (Εικ. 4) Φοράτε προστατευτικά γυαλιά και προστατευτικά ακοής.
- (Εικ. 5) Αποφύγετε την έκθεση στη βροχή.
- (Εικ. 6) Εκπομπές θορύβου στην ετικέτα περιβάλλοντος σύμφωνα με τις οδηγίες και τους κανονισμούς της ΕΕ (συμπεριλαμβανομένης και της νομοθεσίας της Νέας Νότιας Ουαλίας) και του Ηνωμένου Βασιλείου. Τα στοιχεία για τις εκπομπές θορύβου βρίσκονται στην ετικέτα του μηχανήματος και στο κεφάλαιο "Τεχνικά στοιχεία". Ισχύει μόνο όταν το προϊόν είναι εξοπλισμένο με μεσινέζα χορτοκοπτικού.

(Εικ. 7) Προσοχή σε αντικείμενα που εκτοξεύονται.

(Εικ. 8) Αποσυνδέστε την μπαταρία πριν από τη συντήρηση.

(Εικ. 9) Το προϊόν ή η συσκευασία του προϊόντος δεν αποτελεί οικιακό απόρριμμα.

(Εικ. 16)

(Εικ. 17)

yyyywwxxxx

Σύμβολα στην μπαταρία ή/και στο φορτιστή της μπαταρίας

(Εικ. 18)

(Εικ. 13)

(Εικ. 14)

Ανακυκλώστε αυτό το προϊόν σε κέντρο ανακύκλωσης ηλεκτρικού και ηλεκτρονικού εξοπλισμού. (Ισχύει μόνο για την Ευρώπη)

Μετασηματιστής εξασφαλισμένης λειτουργίας σε περίπτωση βλάβης.

Χρησιμοποιείτε και φυλάσσετε το φορτιστή μπαταρίας μόνο σε εσωτερικούς χώρους.

Ανακυκλώστε το σε κέντρο ανακύκλωσης ηλεκτρικού και ηλεκτρονικού εξοπλισμού.

(Εικ. 10) Το προϊόν συμμορφώνεται με τις ισχύουσες οδηγίες ΕΕ.

(Εικ. 11) Το προϊόν συμμορφώνεται με τις ισχύουσες οδηγίες του Η.Β.

(Εικ. 12) Συνεχές ρεύμα.

Η απόσταση μεταξύ του μηχανήματος και των παρευρισκομένων θα πρέπει να είναι τουλάχιστον 15 m (50 ft).

Μην χρησιμοποιείτε μεταλλικές λεπίδες.

Η πινακίδα στοιχείων ή το τυπωμένο μέρος με λείζερ δείχνει τον αριθμό σειράς. Το **yyyy** είναι το έτος παραγωγής και το **ww** είναι η εβδομάδα παραγωγής.

(Εικ. 15) Διπλή μόνωση.

Ζημιά στο προϊόν

Δεν φέρουμε ευθύνη για ζημιές στο προϊόν μας εάν:

- Το προϊόν έχει επισκευαστεί λανθασμένα.
- Το προϊόν έχει επισκευαστεί με εξαρτήματα που δεν προέρχονται από τον κατασκευαστή ή που δεν έχουν εγκριθεί από τον κατασκευαστή.
- Το προϊόν διαθέτει ένα αξεσουάρ που δεν προέρχεται από τον κατασκευαστή ή που δεν έχει εγκριθεί από τον κατασκευαστή.
- Το προϊόν δεν έχει επισκευαστεί σε εγκεκριμένο κέντρο σέρβις ή από εγκεκριμένη αρχή.

Ασφάλεια

Ορισμοί για την ασφάλεια

Για την επισήμανση ειδικών σημαντικών τμημάτων του εγχειριδίου χρησιμοποιούνται προειδοποιήσεις, συστάσεις προσοχής και σημειώσεις.



ΠΡΟΕΙΔΟΠΟΙΗΣΗ: Χρησιμοποιείται όταν υπάρχει κίνδυνος τραυματισμού ή θανάτου του χειριστή ή άλλων παριστάμενων ατόμων, αν δεν τηρηθούν οι οδηγίες που παρέχονται στο εγχειρίδιο.



ΠΡΟΣΟΧΗ: Χρησιμοποιείται όταν υπάρχει κίνδυνος πρόκλησης ζημιάς στο προϊόν, σε άλλα υλικά ή στον παρακείμενο χώρο, αν δεν τηρηθούν οι οδηγίες που παρέχονται στο εγχειρίδιο.

Περιεχόμενα Χρησιμοποιείται για παροχή περισσότερων πληροφοριών, οι οποίες χρειάζονται σε μια δεδομένη κατάσταση.

Γενικές υποδείξεις ασφαλείας για ηλεκτρικά εργαλεία



ΠΡΟΕΙΔΟΠΟΙΗΣΗ: Διαβάστε όλες τις προειδοποιήσεις, τις οδηγίες, τις εικόνες και τις προδιαγραφές ασφαλείας που παρέχονται με αυτό το μηχανήμα. Η μη τήρηση όλων των οδηγιών που αναφέρονται παρακάτω μπορεί να προκαλέσει ηλεκτροπληξία, πυρκαγιά ή/και σοβαρό τραυματισμό.

Φυλάξτε όλες τις προειδοποιήσεις και τις οδηγίες για μελλοντική αναφορά.

Περιεχόμενα Ο όρος "μηχάνημα" που χρησιμοποιείται στις προειδοποιήσεις αναφέρεται σε μηχανήματα που τροφοδοτούνται από το δίκτυο ρεύματος (με καλώδιο) ή σε μηχανήματα που τροφοδοτούνται ηλεκτρικά από μπαταρία (χωρίς καλώδιο).

Ασφάλεια στον χώρο εργασίας

- Διατηρείτε τον χώρο εργασίας καθαρό και με καλό φωτισμό. Οι ακατάστατοι ή σκοτεινοί χώροι ενέχουν τον κίνδυνο ατυχημάτων.
- Μην χρησιμοποιείτε το μηχάνημα σε εκρηκτικές ατμόσφαιρες, π.χ. παρουσία εύφλεκτων υγρών, αερίων ή σκόνης. Τα μηχανήματα δημιουργούν σπινθήρες, οι οποίοι ενδέχεται να προκαλέσουν την ανάφλεξη των σωματιδίων σκόνης ή των καπνών.
- Όταν χειρίζεστε ένα μηχάνημα, δεν πρέπει να βρίσκονται κοντά παιδιά ή άλλα παριστάμενα άτομα. Ενδέχεται να αποσπάσουν την προσοχή σας, με αποτέλεσμα να χάσετε τον έλεγχο.

Ασφάλεια με το ηλεκτρικό ρεύμα

- Τα βύσματα του μηχανήματος πρέπει να ταιριάζουν στην πρίζα. Μην τροποποιείτε ποτέ το βύσμα. Μην χρησιμοποιείτε βύσματα προσαρμογών με γειωμένα μηχανήματα. Η χρήση μη τροποποιημένων ριζ και συμβατών πριζών μειώνει τον κίνδυνο ηλεκτροπληξίας.
- Αποφεύγετε την επαφή του σώματος με γειωμένες επιφάνειες, όπως σωλήνες, καλοριφέρ, κουζίνες και ψυγεία. Υπάρχει αυξημένος κίνδυνος ηλεκτροπληξίας, εάν το σώμα σας έρθει σε επαφή με γείωση.
- Μην εκθέτετε τα μηχανήματα σε συνθήκες βροχής ή υγρασίας. Σε περίπτωση εισχώρησης νερού στο μηχάνημα, αυξάνεται ο κίνδυνος ηλεκτροπληξίας.
- Μην προκαλείτε φθορά στο καλώδιο. Μην χρησιμοποιείτε ποτέ το καλώδιο για τη μεταφορά, το τράβηγμα ή την αποσύνδεση του μηχανήματος. Φυλάσσετε το καλώδιο μακριά από θερμότητα, λάδια, αιχμηρές άκρες ή κινούμενα εξαρτήματα. Εάν το καλώδιο καταστραφεί ή εμπλακεί, αυξάνεται ο κίνδυνος ηλεκτροπληξίας.
- Όταν χρησιμοποιείτε ένα μηχάνημα σε εξωτερικό χώρο, χρησιμοποιείτε καλώδιο προέκτασης που είναι κατάλληλο για χρήση σε εξωτερικό χώρο. Η χρήση καλωδίου κατάλληλου για εξωτερικό χώρο μειώνει τον κίνδυνο ηλεκτροπληξίας.
- Αν η χρήση ενός μηχανήματος σε χώρο με υγρασία είναι αναπόφευκτη, χρησιμοποιήστε μια παροχή ρεύματος με διάταξη προστασίας από ρεύματα διαρροής (RCD). Η χρήση μιας διάταξης RCD μειώνει τον κίνδυνο ηλεκτροπληξίας.

Προσωπική ασφάλεια

- Να είστε σε εγρήγορση, να προσέχετε τι κάνετε και να χρησιμοποιείτε την κοινή λογική όταν χρησιμοποιείτε ένα μηχάνημα. Μην χρησιμοποιείτε τα μηχανήματα όταν είστε κουρασμένοι ή υπό

την επίρρηση ναρκωτικών, αλκοόλ ή φαρμάκων.

Μια στιγμή απροσεξίας κατά τον χειρισμό των μηχανημάτων μπορεί να προκαλέσει σε σοβαρό τραυματισμό.

- Πρέπει να χρησιμοποιείτε προσωπικό εξοπλισμό προστασίας. Φοράτε πάντοτε προστατευτικά γυαλιά. Ο εξοπλισμός προστασίας, όπως προστατευτική μάσκα αναπνοής, αντλιοθηρικά παπούτσια ασφαλείας, κράνος ή προστατευτικά ακοής σε κατάλληλες συνθήκες, μειώνει τον κίνδυνο τραυματισμών.
- Φροντίστε ώστε να μην είναι εφικτή η ακούσια εκκίνηση. Βεβαιωθείτε ότι ο διακόπτης βρίσκεται στη θέση OFF προτού συνδέσετε το μηχάνημα στην πηγή τροφοδοσίας ή/και στην μπαταρία και προτού πιάσετε ή μεταφέρετε το μηχάνημα. Η μεταφορά των μηχανημάτων, ενώ έχετε το χέρι σας στον διακόπτη, ή η σύνδεση ενεργοποιημένων μηχανημάτων σε πρίζα ενέχει κίνδυνο ατυχημάτων.
- Αφαιρέστε τυχόν κλειδιά ρύθμισης ή σύσφιξης, προτού ενεργοποιήσετε το μηχάνημα. Ένα κλειδί σύσφιξης ή ρύθμισης που παραμένει προσαρτημένο σε κινούμενο μέρος του μηχανήματος μπορεί να προκαλέσει τραυματισμό.
- Μην τεντώνετε υπερβολικά. Να πατάτε καλά τα πόδια σας και να διατηρείτε την ισορροπία σας συνέχεια. Έτσι επιτυγχάνεται ο καλύτερος έλεγχος του μηχανήματος σε τυχόν απρόβλεπτες καταστάσεις.
- Φοράτε κατάλληλα ρούχα. Μην φοράτε φαρδιά ρούχα ή κοσμήματα. Φροντίστε τα μαλλιά και τα ρούχα σας να βρίσκονται σε απόσταση από τα κινούμενα εξαρτήματα. Τα φαρδιά ρούχα, τα κοσμήματα ή τα μακριά μαλλιά ενδέχεται να πιαστούν σε κινούμενα μέρη.
- Εάν παρέχονται διατάξεις για τη σύνδεση συστημάτων συλλογής και απομάκρυνσης σκόνης, βεβαιωθείτε ότι αυτές έχουν συνδεθεί και χρησιμοποιούνται σωστά. Χρησιμοποιείτε σύστημα συλλογής σκόνης για να μειώσετε τους κινδύνους που σχετίζονται με τη σκόνη.
- Ακόμη και αν χρησιμοποιείτε συχνά τα μηχανήματα και είστε εξοικειωμένοι με αυτά, μην επαναπαύεστε και μην παραβλέπετε τις αρχές ασφαλείας των μηχανημάτων. Μια απρόσεκτη ενέργεια μπορεί να προκαλέσει σοβαρό τραυματισμό σε κλάσμα του δευτερολέπτου.

Χρήση και φροντίδα του μηχανήματος

- Μην ασκείτε δύναμη στο μηχάνημα. Χρησιμοποιείτε το σωστό μηχάνημα για την εφαρμογή σας. Το κατάλληλο μηχάνημα θα έχει καλύτερες επιδόσεις και θα προσφέρει μεγαλύτερη ασφάλεια στον βαθμό για τον οποίο έχει σχεδιαστεί.
- Μην χρησιμοποιείτε το μηχάνημα, εάν δεν μπορεί να ενεργοποιηθεί και να απενεργοποιηθεί με τον διακόπτη. Ένα μηχάνημα που δεν μπορεί να ελεγχθεί από τον διακόπτη είναι επικίνδυνο και πρέπει να επισκευαστεί.

- Αποσυνδέστε το βύσμα από την πηγή τροφοδοσίας ή/και αφαιρέστε την μπαταρία, αν είναι αποσπώμενη, από το μηχάνημα πριν από την πραγματοποίηση ρυθμίσεων, την αλλαγή αξεσουάρ ή την αποθήκευση μηχανημάτων. Αυτά τα μέτρα ασφαλείας αποκλείουν την ενεργοποίηση του ηλεκτρικού εργαλείου κατά λάθος.
- Φυλάσσετε τα μηχανήματα που βρίσκονται σε αδράνεια μακριά από παιδιά και απαγορεύστε τη χρήση των μηχανημάτων σε άτομα που δεν είναι εξοικειωμένα με αυτά ή με τις οδηγίες. Τα μηχανήματα είναι επικίνδυνα στα χέρια μη εκπαιδευμένων χρηστών.
- Συντηρείτε τα μηχανήματα και τα αξεσουάρ. Ελέγξτε το μηχάνημα για τυχόν λανθασμένη ευθυγράμμιση ή κινούμενα εξαρτήματα που μαγκώνουν, σπασμένα εξαρτήματα ή άλλες καταστάσεις που μπορεί να επηρεάσουν τη λειτουργία του μηχανήματος. Σε περίπτωση ζημιάς, φροντίστε για την επισκευή του μηχανήματος προτού το χρησιμοποιήσετε. Πολλά ατυχήματα προκαλούνται από μηχανήματα που δεν συντηρούνται σωστά.
- Διατηρείτε τα εργαλεία κοπής αιχμηρά και καθαρά. Αν τα μηχανήματα κοπής συντηρούνται σωστά, με αιχμηρές άκρες κοπής, είναι λιγότερο πιθανή η εμπλοκή τους και πιο εύκολος ο έλεγχός τους.
- Χρησιμοποιείτε το μηχάνημα, τα αξεσουάρ και τις κεφαλές σύμφωνα με τις οδηγίες αυτές, λαμβάνοντας υπόψη τις συνθήκες εργασίας και την εργασία που πρέπει να εκτελεστεί. Η χρήση του μηχανήματος για εργασίες διαφορετικές από αυτές για τις οποίες προορίζεται μπορεί να προκαλέσει επικίνδυνες καταστάσεις.
- Διατηρήστε τις χειρολαβές και τις επιφάνειες κρατήματος στεγνές και καθαρές, χωρίς λάδια και γράσο. Οι ολισθηρές λαβές και επιφάνειες λαβών δεν επιτρέπουν τον ασφαλή χειρισμό και έλεγχο του ηλεκτρικού εργαλείου σε απρόβλεπτες καταστάσεις.

Χρήση και φροντίδα του μηχανήματος μπαταρίας

- Να επαναφορτίζετε μόνο με το φορτιστή που ορίζεται από τον κατασκευαστή. Ένας φορτιστής κατάλληλος για έναν τύπο συστοιχίας μπαταριών μπορεί να δημιουργήσει κίνδυνο φωτιάς κατά τη χρήση με άλλη συστοιχία μπαταριών.
- Χρησιμοποιείτε μηχανήματα μόνο με τις προδιαγραφόμενες μπαταρίες. Η χρήση οποιασδήποτε άλλης μπαταρίας μπορεί να προκαλέσει κίνδυνο τραυματισμού και πυρκαγιάς.
- Όταν η μπαταρία δεν χρησιμοποιείται, πρέπει να την φυλάσσετε μακριά από άλλα μεταλλικά αντικείμενα, όπως συνδέτες, νομίσματα, κλειδιά, καρφιά, βίδες ή άλλα μικρά μεταλλικά αντικείμενα, που μπορεί να προκαλέσουν ένωση των πόλων. Η βραχυκύκλωση των ακροδεκτών της μπαταρίας μεταξύ τους μπορεί να προκαλέσει εγκαύματα ή πυρκαγιά.
- Σε περίπτωση ακατάλληλου χειρισμού, μπορεί να εκπνευστεί υγρό από την μπαταρία. Αποφεύγετε κάθε επαφή. Σε περίπτωση τυχαίας επαφής, ξεπλύνετε

με νερό. Εάν το υγρό έρθει σε επαφή με τα μάτια, ζητήστε επίσης ιατρική βοήθεια. Η εκτόξευση υγρού από την μπαταρία μπορεί να προκαλέσει ερεθισμούς ή εγκαύματα.

- Μην χρησιμοποιείτε μπαταρίες ή μηχανήματα που έχουν υποστεί ζημιά ή τροποποιήσεις. Οι μπαταρίες που έχουν υποστεί ζημιά ή τροποποίηση μπορεί να παρουσιάσουν απρόβλεπτη συμπεριφορά με αποτέλεσμα να προκληθεί κίνδυνος πυρκαγιάς, έκρηξης ή τραυματισμού.
- Μην εκθέτετε τις μπαταρίες ή τα μηχανήματα σε φωτιά ή υπερβολικά υψηλή θερμοκρασία. Η έκθεση σε φωτιά ή θερμοκρασίες πάνω από 130 °C/265 °F μπορεί να προκαλέσει έκρηξη.
- Ακολουθείτε όλες τις οδηγίες φόρτισης και μην φορτίζετε την μπαταρία ή τα εργαλεία εκτός του εύρους θερμοκρασιών που προδιαγράφεται στις οδηγίες. Η φόρτιση με λανθασμένο τρόπο ή σε θερμοκρασίες εκτός του προδιαγραφόμενου εύρους μπορεί να προκαλέσει ζημιά στην μπαταρία και αυξάνει τον κίνδυνο πυρκαγιάς.

Σέρβις

- Αναθέστε το σέρβις του μηχανήματός σας σε εξειδικευμένο επισκευαστή. Αυτός επιτρέπεται να χρησιμοποιεί μόνο παρομοίωτα ανταλλακτικά. Με τον τρόπο αυτόν εξασφαλίζεται η ασφάλεια του μηχανήματος.
- Μην εκτελείτε εργασίες σέρβις σε κατεστραμμένες μπαταρίες. Οι εργασίες σέρβις σε μπαταρίες θα πρέπει να εκτελούνται μόνο από τον κατασκευαστή ή από εξουσιοδοτημένα καταστήματα σέρβις.

Προειδοποιήσεις ασφαλείας χορτοκοπτικού

- Μην χρησιμοποιείτε το μηχάνημα σε κακές καιρικές συνθήκες, ιδιαίτερα όταν υπάρχει κίνδυνος κεραυνού. Έτσι μειώνεται ο κίνδυνος να σας χτυπήσει κεραυνός.
- Επιθεωρήστε προσεκτικά την περιοχή για ύπαρξη πανίδας όπου θα χρησιμοποιηθεί το μηχάνημα. Η πανίδα μπορεί να τραυματιστεί από το μηχάνημα κατά τη διάρκεια της λειτουργίας.
- Επιθεωρήστε προσεκτικά την περιοχή όπου θα χρησιμοποιηθεί το μηχάνημα και αφαιρέστε όλες τις πέτρες, τα κλαδιά, τα καλώδια, τα κάκαλα και οποιαδήποτε άλλα ξένα αντικείμενα. Τα αντικείμενα που εκτοξεύονται μπορούν να προκαλέσουν τραυματισμό.
- Πριν από τη χρήση του μηχανήματος, επιθεωρείτε πάντα οπτικά για να βεβαιωθείτε ότι ο κόφτης ή η λεπίδα και το συγκρότημα κόφτη ή λεπίδας δεν έχουν υποστεί ζημιά. Τα εξαρτήματα που έχουν υποστεί ζημιά αυξάνουν τον κίνδυνο τραυματισμού.
- Τηρείτε τις οδηγίες για την αλλαγή των αξεσουάρ. Εάν τα παξιμάδια ή τα μπουλόνια ασφάλισης της λεπίδας δεν είναι σωστά σφιγμένα, ενδέχεται είτε να προκληθεί ζημιά στη λεπίδα είτε να αποσυνδεθεί.
- Φοράτε προστατευτικά μέσα για τα μάτια, τα αυτιά, το κεφάλι και τα χέρια. Ο κατάλληλος εξοπλισμός προστασίας μειώνει τον κίνδυνο τραυματισμού από

τα εκτοξευόμενα θραύσματα ή από τυχαία επαφή με τα εργαλεία κοπής ή τις μεσινέζες.

- **Κατά τη λειτουργία του μηχανήματος, φοράτε πάντα ανηλοισθητικά και προστατευτικά παπούτσια. Μην χρησιμοποιείτε το μηχάνημα με γυμνό πόδι ή φορώντας σανδάλια.** Αυτό μειώνει την πιθανότητα τραυματισμού των ποδιών από επαφή με εργαλεία κοπής ή μεσινέζες.
- **Κατά τη λειτουργία του μηχανήματος, φοράτε πάντα μακρύ παντελόνι.** Το εκτεθειμένο δέρμα αυξάνει την πιθανότητα τραυματισμού από αντικείμενα που εκτινάσσονται.
- **Απομακρύνετε τυχόν παριστάμενα άτομα κατά τη λειτουργία του μηχανήματος.** Τα υπολείμματα που πέφτουν μπορεί να οδηγήσουν σε σοβαρό τραυματισμό.
- **Χρησιμοποιείτε πάντα και τα δύο χέρια για τον χειρισμό του μηχανήματος.** Κρατάτε το μηχάνημα και με τα δύο χέρια για να αποφύγετε την απώλεια ελέγχου.
- **Να κρατάτε το μηχάνημα μόνο από τις μονωμένες επιφάνειες λαβής, επειδή η μεσινέζα ή η λεπίδα μπορεί να έρθουν σε επαφή με κρυμμένη καλωδίωση.** Αν η μεσινέζα ή οι λεπίδες έρθουν σε επαφή με ένα καλώδιο υπό τάση, μπορεί να θέσει τα εκτεθειμένα μεταλλικά μέρη του ηλεκτρικού εργαλείου υπό τάση και να προκληθεί ηλεκτροπληξία στον χειριστή.
- **Να πατάτε πάντα σωστά και να χρησιμοποιείτε το μηχάνημα μόνο όταν στέκεστε στο έδαφος.** Οι ολισθηρές ή ασταθείς επιφάνειες μπορεί να προκαλέσουν απώλεια ισορροπίας ή ελέγχου του μηχανήματος.
- **Μην χρησιμοποιείτε το μηχάνημα σε υπερβολικά απότομα πρανή.** Αυτό μειώνει τον κίνδυνο απώλειας ελέγχου, ολίσθησης και πτώσης, γεγονός που μπορεί να οδηγήσει σε τραυματισμό.
- **Κατά την εργασία σε πρανή, πρέπει πάντα να είστε σίγουροι πού πατάτε, να εργάζεστε πάντα κινούμενοι εγκάρσια στις επιφάνειες με κλίση, ποτέ προς τα πάνω ή προς τα κάτω, και να είστε ιδιαίτερα προσεκτικοί κατά την αλλαγή κατεύθυνσης.** Αυτό μειώνει τον κίνδυνο απώλειας ελέγχου, ολίσθησης και πτώσης, γεγονός που μπορεί να οδηγήσει σε τραυματισμό.
- **Κρατήστε όλα τα μέρη του σώματος μακριά από τον κόφτη, τη μεσινέζα ή τη λεπίδα όταν το μηχάνημα βρίσκεται σε λειτουργία. Πριν θέσετε σε λειτουργία το μηχάνημα, βεβαιωθείτε ότι ο κόφτης, η μεσινέζα ή η λεπίδα δεν έρχονται σε επαφή με τίποτα.** Μια στιγμή απροσεξίας κατά τον χειρισμό του μηχανήματος μπορεί να οδηγήσει σε τραυματισμό του εαυτού σας ή άλλων ατόμων.
- **Μην χρησιμοποιείτε το μηχάνημα πάνω από το ύψος της μέσης.** Αυτό εμποδίζει την ακούσια επαφή του κόφτη ή της λεπίδας και παρέχει καλύτερο έλεγχο του μηχανήματος σε απρόβλεπτες καταστάσεις.
- **Όταν κόβετε θάμνους ή δενδρύλλια που βρίσκονται υπό μηχανική τάση, πρέπει να είστε σε εγρήγορση για ενδεχόμενα πνίγματα επαναφοράς.** Όταν

απελευθερώνεται η μηχανική τάση που ασκείται στις ίνες του ξύλου, ο θάμνος ή το δενδρύλλιο μπορεί να χτυπήσει τον χειριστή ή/και να θέσει το μηχάνημα εκτός ελέγχου.

- **Επιδείξτε μεγάλη προσοχή κατά την κοπή βεργών και δενδρυλλίων.** Το λεπτό υλικό μπορεί να παγιδευτεί στη λεπίδα και να εκτοξευτεί προς το μέρος σας ή να σας θέσει εκτός ισορροπίας.
- **Διατηρήστε τον έλεγχο του μηχανήματος και μην αγνίζετε κόφτες, μεσινέζες ή λεπίδες και άλλα επικίνδυνα κινούμενα μέρη ενώ βρίσκονται ακόμη σε κίνηση.** Αυτό μειώνει τον κίνδυνο τραυματισμού από κινούμενα μέρη.
- **Μεταφέρετε το μηχάνημα απενεργοποιημένο και μακριά από το σώμα σας.** Ο σωστός χειρισμός του μηχανήματος θα μειώσει την πιθανότητα τυχαίας επαφής με έναν κινούμενο κόφτη, μεσινέζα ή λεπίδα.
- **Χρησιμοποιείτε μόνο τους ανταλλακτικούς κόφτες, μεσινέζες, κεφαλές κοπής και λεπίδες που καθορίζονται από τον κατασκευαστή.** Τα εσφαλμένα ανταλλακτικά μπορεί να αυξήσουν τον κίνδυνο θραύσης και τραυματισμού.
- **Όταν απομακρύνετε υλικά που μπλοκάρουν τη λειτουργία, κατά τη φύλαξη ή όταν συντηρείτε το μηχάνημα, βεβαιωθείτε ότι ο διακόπτης βρίσκεται στη θέση απενεργοποίησης και η μπαταρία έχει αφαιρεθεί.** Η μη αναμενόμενη εκκίνηση του μηχανήματος όταν απομακρύνετε υλικά που μπλοκάρουν τη λειτουργία του ή όταν το συντηρείτε μπορεί να οδηγήσει σε σοβαρό τραυματισμό.

Έλεγχος πριν από την εκκίνηση

- Αφαιρείτε πάντα την μπαταρία για να αποτρέψετε τυχόν ακούσια εκκίνηση του προϊόντος. Αφαιρείτε πάντα την μπαταρία προτού εκτελέσετε συντήρηση στο προϊόν.
- Πριν από τη χρήση του προϊόντος και μετά από τυχόν πρόσκρουση, ελέγξτε για ενδείξεις φθοράς ή ζημιάς και επισκευάστε όπως απαιτείται.
- Επιθεωρήστε τον χώρο εργασίας. Απομακρύνετε όλα τα ελεύθερα αντικείμενα, όπως πέτρες, σπασμένα γυαλιά, αστάλινα σύρματα, σχοινιά κ.λπ. που μπορεί να εκτοξευθούν ή να τυλιχτούν γύρω από το κοπτικό εργαλείο ή τον προφυλακτήρα του κοπτικού εργαλείου.
- Ελέγξτε τον κινητήρα για ρύπους και ρωγμές. Καθαρίστε το χορτάρι και τα φύλλα από τον κινητήρα χρησιμοποιώντας βούρτσα. Φορέστε γάντια όταν χρειάζεται.
- Ελέγξτε αν η κεφαλή του χορτοκοπτικού είναι πλήρως συνδεδεμένη στο χορτοκοπτικό.
- Βεβαιωθείτε ότι το μηχάνημα βρίσκεται σε άριστη κατάσταση λειτουργίας. Βεβαιωθείτε ότι όλα τα παξιμάδια και οι βίδες είναι σφιγμένα.
- Ελέγξτε ότι η κεφαλή χορτοκοπτικού και το εξάρτημα κοπής δεν παρουσιάζουν βλάβες ή ρωγμές. Αντικαταστήστε την κεφαλή χορτοκοπτικού ή το εξάρτημα κοπής σε περίπτωση που εκτεθούν σε κραδασμούς ή παρουσιάζουν ρωγμές. Χρησιμοποιείτε πάντα το συνιστώμενο

προστατευτικό για το εξάρτημα κοπής που χρησιμοποιείτε. Δείτε το κεφάλαιο για τα Τεχνικά στοιχεία.

- Ο χειριστής του προϊόντος θα πρέπει, κατά τη διάρκεια της εργασίας του, να διασφαλίζει ότι δεν πλησιάζουν άνθρωποι ή ζώα σε απόσταση μικρότερη από 15 μέτρα από το μηχανήμα. Όταν εργάζονται πολλοί χειριστές στην ίδια περιοχή, η απόσταση ασφαλείας πρέπει να είναι τουλάχιστον 15 μέτρα.
- Πραγματοποιήστε γενική επιθεώρηση του προϊόντος πριν από τη χρήση. Ανατρέξτε στο πρόγραμμα συντήρησης.
- Για τη χρήση ενδέχεται να ισχύουν εθνικοί ή τοπικοί κανονισμοί. Οι εκάστοτε κανονισμοί πρέπει να τηρούνται.

Πρέπει πάντα να χρησιμοποιείτε την κοινή λογική

Δεν είναι δυνατό να καλυφθούν όλες οι περιπτώσεις που ενδέχεται να συναντήσετε. Πρέπει πάντα να είστε προσεκτικοί και να χρησιμοποιείτε την κοινή λογική. Αποφεύγετε καταστάσεις τις οποίες θεωρείτε πέραν των δυνατοτήτων σας. Εάν δεν αισθάνεστε σίγουροι για τις διαδικασίες χειρισμού, αφού διαβάσετε αυτές τις οδηγίες, θα πρέπει να συμβουλευτείτε κάποιον ειδικό πριν συνεχίσετε.



ΠΡΟΕΙΔΟΠΟΙΗΣΗ: Μην επιτρέπετε ποτέ σε παιδιά να χρησιμοποιούν ή να βρίσκονται κοντά στο μηχανήμα. Δεδομένου ότι η εκκίνηση του μηχανήματος είναι εύκολη, τα παιδιά μπορούν να το ξεκινήσουν εάν δεν βρίσκονται υπό συνεχή επιτήρηση. Αυτό μπορεί να οδηγήσει σε σοβαρό προσωπικό τραυματισμό. Συνεπώς, αποσυνδέετε τη μπαταρία, όταν το μηχανήμα δεν βρίσκεται υπό στενή εποπτεία.

Γενικές οδηγίες ασφαλείας



ΠΡΟΕΙΔΟΠΟΙΗΣΗ: Προτού χρησιμοποιήσετε το προϊόν, διαβάστε τις παρακάτω προειδοποιητικές οδηγίες.

- Αφαιρέστε την μπαταρία για να αποτρέψετε ακούσια εκκίνηση του προϊόντος.
- Αυτό το προϊόν είναι ένα επικίνδυνο εργαλείο εάν δεν είστε προσεκτικοί ή δεν το χρησιμοποιείτε σωστά. Αυτό το προϊόν μπορεί να προκαλέσει σοβαρό τραυματισμό ή θάνατο του χειριστή ή άλλων ατόμων.
- Μην χρησιμοποιείτε το προϊόν εάν τροποποιηθεί από τις αρχικές του προδιαγραφές. Μην αλλάξετε ένα εξάρτημα του προϊόντος χωρίς έγκριση από τον κατασκευαστή. Χρησιμοποιήστε μόνο εξαρτήματα που έχουν εγκριθεί από τον κατασκευαστή. Λόγω της ασφαλισμένης συντήρησης μπορεί να προκληθεί τραυματισμός ή θάνατος.

- Ελέγξτε το προϊόν προτού το χρησιμοποιήσετε. Ανατρέξτε στις ενότητες *Συσκεύς ασφαλείας στο προϊόν στη σελίδα 101* και *Επισκόπηση προϊόντος στη σελίδα 95*. Μην χρησιμοποιείτε το προϊόν εάν έχει υποστεί ζημιά ή δεν λειτουργεί σωστά. Πραγματοποιείτε όλους τους ελέγχους ασφαλείας και τηρείτε τις οδηγίες συντήρησης και σέρβις που αναφέρονται στο παρόν εγχειρίδιο.

- Τα παιδιά πρέπει να εποπτεύονται ώστε να διασφαλιστεί ότι δεν παίζουν με το προϊόν. Μην επιτρέπετε ποτέ σε παιδιά ή άλλα μη εκπαιδευμένα σχετικά με τη χρήση του προϊόντος ή της μπαταρίας άτομα να χρησιμοποιούν το μηχανήμα ή/και την μπαταρία ή να πραγματοποιούν εργασίες συντήρησης σε αυτό. Η τοπική νομοθεσία πιθανώς να ορίζει την κατάλληλη ηλικία του χρήστη.
- Φυλάξτε το προϊόν σε κλειδωμένο χώρο για να αποτρέψετε την πρόσβαση σε παιδιά ή μη εγκεκριμένα άτομα.
- Αποθηκεύστε το προϊόν μακριά από παιδιά.
- Δεν επιτρέπονται, σε καμία περίπτωση, τροποποιήσεις στη σχεδίαση του προϊόντος χωρίς την έγκριση του κατασκευαστή. Πρέπει πάντα να χρησιμοποιείτε γνήσια αξεσουάρ. Η μη εξουσιοδοτημένη εκτέλεση τροποποιήσεων ή/και η χρήση μη γνήσιων αξεσουάρ μπορεί να οδηγήσει σε σοβαρό προσωπικό τραυματισμό ή θάνατο του χειριστή και άλλων ατόμων.
- Η δηλωθείσα συνολική τιμή κραδασμών μετρήθηκε σύμφωνα με πρότυπη μέθοδο δοκιμής και μπορεί να χρησιμοποιηθεί για τη σύγκριση μεταξύ εργαλείων.
- Η δηλωθείσα συνολική τιμή κραδασμών μπορεί να χρησιμοποιηθεί επίσης στην προκαταρκτική αξιολόγηση της έκθεσης.
- Η εκπομπή κραδασμών κατά την πραγματική χρήση του ηλεκτρικού εργαλείου μπορεί να διαφέρει από τη δηλωθείσα συνολική τιμή, ανάλογα με τους τρόπους χρήσης του εργαλείου. Οι χειριστές πρέπει να προσδιορίζουν τα μέτρα ασφαλείας για την προστασία τους που βασίζονται σε εκτίμηση της έκθεσης σε πραγματικές συνθήκες χρήσης (λαμβάνοντας υπόψη όλα τα μέρη του κύκλου λειτουργίας, όπως οι χρόνοι κατά τους οποίους το εργαλείο είναι απενεργοποιημένο και οι χρόνοι λειτουργίας στο ρελαντί, επιπρόσθετα της σκανδάλης).

Περιεχόμενα Η χρήση μπορεί να ρυθμίζεται από εθνικούς ή τοπικούς κανονισμούς. Οι εκάστοτε κανονισμοί πρέπει να τηρούνται.

Προσωπικός εξοπλισμός προστασίας



ΠΡΟΕΙΔΟΠΟΙΗΣΗ: Προτού χρησιμοποιήσετε το προϊόν, διαβάστε τις παρακάτω προειδοποιητικές οδηγίες.

- Όταν χρησιμοποιείτε το προϊόν, να φοράτε πάντα εγκεκριμένο προσωπικό εξοπλισμό προστασίας. Ο προσωπικός εξοπλισμός προστασίας δεν μπορεί να

εξαλείψει τον κίνδυνο τραυματισμών, ωστόσο μειώνει τη σοβαρότητά τους σε περίπτωση ατυχήματος. Ο αντιπρόσωπος θα σας βοηθήσει να επιλέξετε τον σωστό εξοπλισμό.

- Πρέπει να χρησιμοποιείτε εγκεκριμένα προστατευτικά ακοής.

(Εικ. 19)

- Πρέπει να χρησιμοποιείτε εγκεκριμένα μέσα προστασίας των ματιών. Εάν χρησιμοποιείτε προστατευτικό γείσο, πρέπει επίσης να χρησιμοποιείτε πάντα εγκεκριμένα προστατευτικά γυαλιά. Τα εγκεκριμένα προστατευτικά γυαλιά πρέπει να συμμορφώνονται με το πρότυπο ANSI Z87.1 στις Η.Π.Α. ή το πρότυπο EN 166 στις χώρες της Ε.Ε.

(Εικ. 20)

- Όταν χρειάζεται, να χρησιμοποιείτε γάντια, για παράδειγμα κατά την τοποθέτηση, την επιθεώρηση ή τον καθαρισμό του εξοπλισμού κοπής.

(Εικ. 21)

- Πρέπει να χρησιμοποιείτε μπότες προστασίας με μεταλλική ενίσχυση στην περιοχή των δακτύλων και αντιολισθητικές σόλες.

(Εικ. 22)

- Να φοράτε ρούχα από ανθεκτικό ύφασμα. Να φοράτε πάντα ανθεκτικό μακρύ παντελόνι και μακριά μανίκια. Να μην φοράτε φαρδιά ρούχα που μπορεί να πιαστούν σε κλωνάρια και κλαδιά. Μην φοράτε κοσμήματα, κοντά παντελόνια ή σανδάλια. Μην περπατάτε με γυμνά πόδια. Να δένετε τα μαλλιά σας με ασφάλεια πάνω από το ύψος των ώμων.
- Διατηρήστε κοντά τον εξοπλισμό πρώτων βοηθειών.

(Εικ. 23)

Συσκευές ασφαλείας στο προϊόν



ΠΡΟΕΙΔΟΠΟΙΗΣΗ: Προτού χρησιμοποιήσετε το προϊόν, διαβάστε τις παρακάτω προειδοποιητικές οδηγίες.

Σε αυτή την ενότητα περιγράφονται τα χαρακτηριστικά ασφαλείας του προϊόντος, ο σκοπός του καθώς και ο τρόπος διεξαγωγής των ελέγχων και της συντήρησης για τη διασφάλιση της σωστής λειτουργίας του. Διαβάστε τις οδηγίες κάτω από την επικεφαλίδα *Εισαγωγή στη σελίδα 95* για να βρείτε που βρίσκονται αυτά τα εξαρτήματα στο προϊόν σας.

Η διάρκεια ζωής του προϊόντος μπορεί να μειωθεί και ο κίνδυνος ατυχημάτων να αυξηθεί, εάν η συντήρηση του προϊόντος δεν πραγματοποιείται σωστά και εάν το σέρβις ή/και οι επισκευές δεν εκτελούνται επαγγελματικά. Εάν χρειαστείτε περισσότερες πληροφορίες, επικοινωνήστε με τον πλησιέστερο αντιπρόσωπο σέρβις.



ΠΡΟΕΙΔΟΠΟΙΗΣΗ: Μην χρησιμοποιείτε ποτέ ένα προϊόν με φθαρμένα εξαρτήματα ασφαλείας. Ο

εξοπλισμός ασφαλείας του προϊόντος πρέπει να επιθεωρείται και να συντηρείται όπως περιγράφεται σε αυτήν την ενότητα. Εάν το προϊόν αποτύχει σε οποιοδήποτε από αυτούς τους ελέγχους, επικοινωνήστε με τον αντιπρόσωπο σέρβις για την επισκευή του.



ΠΡΟΣΟΧΗ: Όλες οι εργασίες σέρβις και επισκευής στο μηχανήμα απαιτούν ειδική εκπαίδευση. Αυτό ισχύει ιδιαίτερα για τον εξοπλισμό ασφαλείας του μηχανήματος. Εάν το μηχανήμα σας αποτύχει σε κάποιον από αυτούς τους ελέγχους που περιγράφονται παρακάτω, επικοινωνήστε με τον αντιπρόσωπο σέρβις. Όταν αγοράζετε οποιοδήποτε από τα προϊόντα μας, εγγυώμαστε τη διαθεσιμότητα επαγγελματικών επισκευών και σέρβις. Εάν το κατάστημα λιανικής πώλησης από όπου προμηθευτήκατε το μηχανήμα δεν είναι αντιπρόσωπος σέρβις, ζητήστε από το κατάστημα τη διεύθυνση του πλησιέστερου αντιπροσώπου σέρβις.

Για να ελέγξετε το ηλεκτρόλιο

1. Πατήστε παρατεταμένα το κουμπί εκκίνησης/ διακοπής λειτουργίας (A). (Εικ. 24)
 - a) Το προϊόν είναι ενεργοποιημένο όταν η λυχνία LED (B) είναι αναμμένη.
 - b) Το προϊόν είναι απενεργοποιημένο όταν η λυχνία LED (B) είναι σβηστή.
2. Ανατρέξτε στην ενότητα *Πληκτρολόγιο στη σελίδα 108* αν η προειδοποιητική ένδειξη (C) είναι αναμμένη ή αναβοσβήνει.

Έλεγχος της ασφάλειας της σκανδάλης γκαζιού

Η ασφάλεια της σκανδάλης γκαζιού αποτρέπει τυχόν ακούσια εκκίνηση. Όταν πατάτε την ασφάλεια της σκανδάλης γκαζιού (A), απελευθερώνεται η σκανδάλη γκαζιού (B). Εάν απελευθερώσετε τη λαβή, η σκανδάλη γκαζιού και η ασφάλεια της σκανδάλης γκαζιού επιστρέφουν στις αρχικές τους θέσεις. (Εικ. 25)

1. Βεβαιωθείτε ότι η σκανδάλη γκαζιού είναι ασφαλισμένη, όταν η ασφάλεια της σκανδάλης γκαζιού βρίσκεται στην αρχική της θέση. (Εικ. 26)
2. Πιέστε τη σκανδάλη γκαζιού και βεβαιωθείτε ότι επανέρχεται στην αρχική της θέση όταν την απελευθερώσετε. (Εικ. 27)
3. Βεβαιωθείτε ότι η σκανδάλη γκαζιού και η ασφάλεια της σκανδάλης γκαζιού κινούνται ελεύθερα και ότι το ελατήριο επαναφοράς λειτουργεί σωστά. (Εικ. 28)
4. Θέστε το προϊόν σε λειτουργία. Ανατρέξτε στην ενότητα *Εκκίνηση λειτουργίας του προϊόντος στη σελίδα 106*.
5. Ανοίξτε τέρμα το γκαζί.

6. Απελευθερώστε τη σκανδάλη γκαζιού και βεβαιωθείτε ότι το παρελκόμενο κοπής σταματά εντελώς.

Για τον έλεγχο του προφυλακτήρα του εξαρτήματος κοπής



ΠΡΟΕΙΔΟΠΟΙΗΣΗ: Να μην χρησιμοποιείτε το εξάρτημα κοπής χωρίς έναν εγκεκριμένο και σωστά τοποθετημένο προφυλακτήρα. Χρησιμοποιείτε πάντα τον προφυλακτήρα που συνιστάται για το εξάρτημα κοπής που χρησιμοποιείτε, βλ. *Τεχνικά στοιχεία στη σελίδα 110*. Εάν τοποθετηθεί λανθασμένος ή ελαττωματικός προφυλακτήρας παρελκόμενου κοπής, μπορεί να προκληθεί σοβαρός τραυματισμός.

Ο προφυλακτήρας του παρελκόμενου κοπής σταματά τα αντικείμενα που εκτινάσσονται προς την κατεύθυνση του χειριστή. Επίσης ο προφυλακτήρας παρελκόμενου κοπής αποτρέπει τους τραυματισμούς που μπορεί να προκύψουν, εάν αγγίξετε το παρελκόμενο κοπής.

1. Σβήστε τον κινητήρα.
2. Εκτελέστε οπτικό έλεγχο για ζημιές, για παράδειγμα ρωγμές.
3. Αντικαταστήστε τον προφυλακτήρα του παρελκόμενου κοπής, αν έχει υποστεί ζημιά.

Εξοπλισμός κοπής

Να επιλέγετε το σωστό εξοπλισμό κοπής και να πραγματοποιείτε τις σχετικές εργασίες συντήρησης στον εξοπλισμό κοπής για:

- Να επιτυγχάνετε τη μέγιστη απόδοση κοπής.
- Να αυξήσετε τη διάρκεια ζωής του εξοπλισμού κοπής.



ΠΡΟΕΙΔΟΠΟΙΗΣΗ: Να χρησιμοποιείτε μόνο εξαρτήματα κοπής με τα προστατευτικά που συνιστούμε! Ανατρέξτε στην ενότητα *Εγκεκριμένα αξεσουάρ στη σελίδα 111*. Ανατρέξτε στις οδηγίες για το εξάρτημα κοπής, προκειμένου να ενημερωθείτε για τον σωστό τρόπο φόρτωσης της μεσινέζας χορτοκοπτικού και των πλαστικών δίσκων.



ΠΡΟΕΙΔΟΠΟΙΗΣΗ: Ένα ελαττωματικό εξάρτημα κοπής μπορεί να αυξήσει τον κίνδυνο ατυχημάτων.



ΠΡΟΕΙΔΟΠΟΙΗΣΗ: Διακόπτετε πάντα την ισχύ προτού εκτελέσετε οποιαδήποτε εργασία στο εξάρτημα κοπής. Αυτό συνεχίζει να περιτρέφεται αφού απελευθερώσετε τη σκανδάλη γκαζιού.

Προτού ξεκινήσετε την εργασία, βεβαιωθείτε ότι το εξάρτημα κοπής έχει σταματήσει εντελώς και αποσυνδέστε την μπαταρία από το προϊόν.

Εξάρτημα κοπής



ΠΡΟΕΙΔΟΠΟΙΗΣΗ: Διασφαλίστε πάντα ότι η μεσινέζα του χορτοκοπτικού είναι τυλιγμένη σφικτά και ομοιόμορφα γύρω από την καμπίνα για την αποφυγή επιβλαβών κραδασμών.

(Εικ. 29)

- Χρησιμοποιείτε μόνο τα συνιστώμενα παρελκόμενα κοπής.
- Το μήκος της μεσινέζας χορτοκοπτικού είναι σημαντικό. Μια μεγαλύτερη μεσινέζα χορτοκοπτικού απαιτεί μεγαλύτερη ισχύ κινητήρα σε σχέση με μια μικρότερη μεσινέζα χορτοκοπτικού της ίδιας διαμέτρου.
- Βεβαιωθείτε ότι το εργαλείο κοπής στο προστατευτικό εξαρτήματος κοπής είναι άθικτο. Αυτό κόβει τη μεσινέζα χορτοκοπτικού στο σωστό μήκος.
- Εμποτίστε τη μεσινέζα του χορτοκοπτικού με νερό για μερικές ημέρες προτού το χρησιμοποιήσετε, ώστε να αυξηθεί η διάρκεια ζωής.

Ασφάλεια μπαταρίας



ΠΡΟΕΙΔΟΠΟΙΗΣΗ: Προτού χρησιμοποιήσετε το προϊόν, διαβάστε τις παρακάτω προειδοποιητικές οδηγίες.

- Χρησιμοποιείτε μόνο μπαταρία της σειράς BLi και της σειράς 40-B. Για λεπτομέρειες, ανατρέξτε στην ενότητα *Τεχνικά στοιχεία στη σελίδα 110*. Οι μπαταρίες διαθέτουν κρυπτογράφηση λογισμικού.
- Χρησιμοποιήστε την επαναφορτιζόμενη μπαταρία της σειράς BLi και της σειράς 40-B ως παροχή ρεύματος αποκλειστικά για τα συναφή προϊόντα Husqvarna μόνο. Για την αποφυγή τραυματισμών, μην χρησιμοποιείτε την μπαταρία ως πηγή ηλεκτρικής ισχύος για άλλες συσκευές.
- Κίνδυνος ηλεκτροπληξίας. Μην συνδέετε τους ακροδέκτες της μπαταρίας σε κλειδιά, νομίσματα, βίδες ή άλλα μεταλλικά αντικείμενα. Αυτό μπορεί να προκαλέσει βραχυκύκλωμα της μπαταρίας.
- Μην χρησιμοποιείτε μη επαναφορτιζόμενες μπαταρίες.
- Μην τοποθετείτε αντικείμενα μέσα στις εγκοπές αερισμού της μπαταρίας.
- Διατηρείτε την μπαταρία μακριά από την ηλιακή ακτινοβολία, τη θερμότητα ή τις γυμνές φλόγες. Η μπαταρία μπορεί να προκαλέσει εγκαύματα ή/και χημικά εγκαύματα.
- Διατηρείτε την μπαταρία μακριά από συνθήκες βροχής και υγρασίας.

- Διατηρείτε την μπαταρία μακριά από πηγές μικροκυμάτων και υψηλής πίεσης.
- Μην προσπαθήσετε να αποσυναρμολογήσετε ή να διαλύσετε την μπαταρία.
- Αν η μπαταρία εμφανίσει διαρροή, φροντίστε το υγρό να μην έρθει σε επαφή με το δέρμα ή τα μάτια σας. Αν έρθετε σε επαφή με το υγρό, καθαρίστε την περιοχή με άφθονο σαπουνόνερο και ζητήστε ιατρική βοήθεια. Αν έρθει υγρό σε επαφή με τα μάτια σας, μην τα τρίψετε και ξεπλύνετε τα με νερό για τουλάχιστον 15 λεπτά και αναζητήστε ιατρική βοήθεια.
- Χρησιμοποιήστε την μπαταρία σε θερμοκρασίες μεταξύ -10 °C (14 °F) και 40 °C (114 °F).
- Μην καθαρίζετε την μπαταρία ή τον φορτιστή μπαταρίας με νερό. Ανατρέξτε στην ενότητα *Για να καθαρίσετε το προϊόν, την μπαταρία και το φορτιστή της μπαταρίας στη σελίδα 108*.
- Μην χρησιμοποιείτε ελαττωματικές ή κατεστραμμένες μπαταρίες.
- Φυλάσσετε τις μπαταρίες μακριά από μεταλλικά αντικείμενα, όπως καρφιά, νομίσματα και κοσμήματα.
- Φυλάσσετε την μπαταρία μακριά από παιδιά.

Ασφάλεια φορτιστή μπαταρίας



ΠΡΟΕΙΔΟΠΟΙΗΣΗ: Προτού χρησιμοποιήσετε το προϊόν, διαβάστε τις παρακάτω προειδοποιητικές οδηγίες.

- Υπάρχει κίνδυνος ηλεκτροπληξίας ή βραχυκυκλώματος εάν δεν τηρηθούν οι οδηγίες ασφαλείας.
- Μην χρησιμοποιείτε άλλους φορτιστές μπαταρίας εκτός από αυτόν που παρέχεται για το προϊόν σας. Πρέπει να χρησιμοποιείτε μόνο φορτιστές QC80 και 40-C80 για τη φόρτιση ανταλλακτικών μπαταριών της σειράς BLi και της σειράς 40-B.
- Μην επιχειρείτε να αποσυναρμολογήσετε τον φορτιστή μπαταρίας.
- Μη χρησιμοποιείτε φορτιστή μπαταρίας που παρουσιάζει ελάττωμα ή έχει υποστεί ζημιά.
- Μην σηκώνετε τον φορτιστή μπαταρίας από το καλώδιο ρεύματος. Για να αποσυνδέσετε τον φορτιστή της μπαταρίας από την πρίζα, τραβήξτε το βύσμα. Μην τραβάτε το καλώδιο.
- Κρατήστε όλα τα καλώδια και τα καλώδια επέκτασης μακριά από νερό, λάδι και αιχμηρές γωνίες. Βεβαιωθείτε ότι το καλώδιο δεν έχει μαγκώσει σε αντικείμενα όπως π.χ. πόρτες, φράχτες ή παρόμοια σημεία.
- Μην χρησιμοποιείτε τον φορτιστή μπαταρίας κοντά σε εύφλεκτα υλικά ή υλικά που μπορούν να προκαλέσουν διάβρωση. Βεβαιωθείτε ότι ο φορτιστής της μπαταρίας δεν είναι καλυμμένος. Σε

- περίπτωση έκλυσης καπνού ή πυρκαγιάς, βγάλτε τον φορτιστή μπαταρίας από την πρίζα.
- Να φορτίζετε την μπαταρία μόνο σε εσωτερικό χώρο σε μια θέση με καλή ροή αέρα και μακριά από ηλιακή ακτινοβολία. Μην φορτίζετε την μπαταρία σε εξωτερικούς χώρους. Μην φορτίζετε την μπαταρία σε συνθήκες υγρασίας.
- Ο φορτιστής της μπαταρίας πρέπει να χρησιμοποιείται μόνο σε σημεία όπου η θερμοκρασία είναι μεταξύ 5 °C (41 °F) και 40 °C (104 °F). Χρησιμοποιείτε τον φορτιστή σε περιβάλλον καλά αεριζόμενο, ξηρό και χωρίς σκόνη.
- Μην τοποθετείτε αντικείμενα μέσα στις εγκοπές αερισμού του φορτιστή της μπαταρίας.
- Μην συνδέετε ποτέ τους ακροδέκτες του φορτιστή της μπαταρίας σε μεταλλικά αντικείμενα γιατί μπορεί να προκύψει βραχυκύκλωμα του φορτιστή.
- Χρησιμοποιείτε εγκεκριμένες πρίζες που δεν έχουν υποστεί ζημιά. Βεβαιωθείτε ότι το καλώδιο και ο φορτιστής της μπαταρίας δεν έχουν υποστεί ζημιά. Εάν χρησιμοποιείτε καλώδια επέκτασης, βεβαιωθείτε ότι δεν έχουν υποστεί ζημιά.
- Μην φορτίζετε μη επαναφορτιζόμενες μπαταρίες στους φορτιστές μπαταρίας.

Οδηγίες ασφαλείας για τη συντήρηση



ΠΡΟΕΙΔΟΠΟΙΗΣΗ: Προτού εκτελέσετε εργασίες συντήρησης στο προϊόν, διαβάστε τις παρακάτω προειδοποιητικές οδηγίες.

- Πρέπει να αφαιρείτε την μπαταρία προτού εκτελέσετε εργασίες συντήρησης, άλλους ελέγχους ή συναρμολόγηση του προϊόντος.
- Ο χειριστής πρέπει να εκτελεί μόνο τις εργασίες συντήρησης και σέρβις που υποδεικνύονται στο παρόν εγχειρίδιο χρήσης. Για πιο εκτεταμένες εργασίες συντήρησης και σέρβις, απευθυνθείτε στον τοπικό αντιπρόσωπο σέρβις.
- Μην καθαρίζετε την μπαταρία ή το φορτιστή μπαταρίας με νερό. Τα δραστικά απορρυπαντικά μπορεί να προκαλέσουν ζημιά στο πλαστικό.
- Εάν δεν κάνετε συντήρηση στο προϊόν, μειώνεται ο κύκλος ζωής του και αυξάνεται ο κίνδυνος ατυχημάτων.
- Απαιτείται ειδική εκπαίδευση για όλες τις εργασίες συντήρησης και επισκευής, ειδικά για τις διατάξεις ασφαλείας στο προϊόν. Αν δεν ολοκληρωθούν με επιτυχία όλοι οι έλεγχοι που περιγράφονται στο παρόν εγχειρίδιο χρήσης αφού κάνετε τη συντήρηση, απευθυνθείτε στον τοπικό αντιπρόσωπο σέρβις. Εγγυώμαστε ότι υπάρχει δυνατότητα επαγγελματικής επισκευής και σέρβις για το προϊόν σας.
- Χρησιμοποιείτε πάντα γνήσια ανταλλακτικά.

Συναρμολόγηση

Εισαγωγή



ΠΡΟΕΙΔΟΠΟΙΗΣΗ: Προτού συναρμολογήσετε το προϊόν, διαβάστε και κατανοήστε το κεφάλαιο για την ασφάλεια.

Τοποθέτηση προφυλακτήρα εξαρτήματος κοπής

1. Τοποθετήστε το προστατευτικό εξαρτήματος κοπής πάνω στο περίβλημα του κινητήρα. (Εικ. 30)
2. Ελέγξτε τα άγκιστρα ασφάλισης. (Εικ. 31)
3. Σφίξτε το μπουλόνι. Χρησιμοποιήστε συνδυαστικό κλειδί. (Εικ. 32)
4. Σφίξτε το μπουλόνι.

Αλλαγή του εξαρτήματος κοπής

1. Τοποθετήστε το γερμανοπολύγωνο κλειδί στην οπή για να ασφαλίσετε τον άξονα. (Εικ. 33)
2. Γυρίστε το εξάρτημα κοπής και σπρώξτε προσεκτικά το γερμανοπολύγωνο κλειδί μέχρι να μπλοκάρει ο άξονας εξόδου.
3. Γυρίστε το εξάρτημα κοπής δεξιόστροφα για να το αφαιρέσετε. Βεβαιωθείτε ότι ο δίσκος μετάδοσης είναι στη θέση του πριν εγκαταστήσετε το εξάρτημα κοπής. (Εικ. 34)
4. Εγκαταστήστε το νέο εξάρτημα κοπής με την αντίθετη σειρά. (Εικ. 35) (Εικ. 36)

Περιεχόμενα Βεβαιωθείτε ότι η μονάδα μετάδοσης κίνησης δίσκου έχει εγκατασταθεί σωστά πριν εγκαταστήσετε το εξάρτημα κοπής.

Τοποθέτηση του προφυλακτήρα φυτών

1. Τοποθετήστε τον προφυλακτήρα φυτών στις οπές του περιβλήματος μοτέρ. (Εικ. 37)

2. Βεβαιωθείτε ότι ο προφυλακτήρας φυτών μπορεί να κινηθεί ελεύθερα προς τα εμπρός και προς τα πίσω. (Εικ. 38)

Για τη συναρμολόγηση της χειρολαβής τύπου βρόγχου

1. Τοποθετήστε τη βίδα στη χειρολαβή τύπου βρόγχου. (Εικ. 39)
2. Συναρμολογήστε τη χειρολαβή τύπου βρόγχου στο παρελκόμενο στον άξονα.
3. Σφίξτε τις βίδες.
4. Ρυθμίστε τη χειρολαβή τύπου βρόγχου στη σωστή θέση. Ανατρέξτε στην ενότητα *Ρύθμιση της λαβής τύπου βρόγχου και του τηλεσκοπικού άξονα στη σελίδα 106*.

Τοποθέτηση του φορτιστή μπαταρίας 40-C80 στον τοίχο



ΠΡΟΣΟΧΗ: Μην χρησιμοποιείτε ηλεκτρικό κατασβίδι για την τοποθέτηση του φορτιστή μπαταρίας στον τοίχο. Ένα ηλεκτρικό κατασβίδι μπορεί να προκαλέσει ζημιά στον φορτιστή μπαταρίας.

1. Τοποθετήστε τον φορτιστή μπαταρίας στον τοίχο με 2 βίδες (A). Αν χρειάζεται, χρησιμοποιήστε βύσματα τοίχου (B). (Εικ. 40)
2. Τοποθετήστε τις 2 τάπες στις οπές βιδών (C).
3. Συνδέστε το καλώδιο ρεύματος (D) στον φορτιστή μπαταρίας και σε πρίζα τοίχου.

Λειτουργία

Εισαγωγή



ΠΡΟΕΙΔΟΠΟΙΗΣΗ: Προτού χρησιμοποιήσετε το προϊόν, διαβάστε και κατανοήστε το κεφάλαιο για την ασφάλεια.

Προτού χρησιμοποιήσετε το προϊόν

- Εξετάστε την περιοχή εργασίας για να βεβαιωθείτε ότι γνωρίζετε τον τύπο του εδάφους. Εξετάστε την κλίση του εδάφους και ελέγξτε εάν υπάρχουν εμπόδια, όπως πέτρες, κλαδιά και χαντάκια.
- Πραγματοποιήστε γενική επιθεώρηση του προϊόντος.

- Πραγματοποιήστε τους ελέγχους ασφάλειας, συντήρησης και σέρβις που δίνονται σε αυτό το εγχειρίδιο.
- Ελέγξτε τον κινητήρα για ρύπους ή ρωγμές. Χρησιμοποιήστε μια βούρτσα για να καθαρίσετε τον κινητήρα από το γρασίδι και τα φύλλα. Χρησιμοποιήστε γάντια, όταν είναι απαραίτητο.
- Ελέγξτε την κεφαλή χορτοκοπτικού και τον προφυλακτήρα εξαρτήματος κοπής για φθορές ή ρωγμές. Αντικαταστήστε την κεφαλή χορτοκοπτικού και τον προφυλακτήρα παρελκόμενου κοπής εάν έχουν χτυπηθεί ή έχουν ρωγμές.

- Βεβαιωθείτε ότι όλα τα παξιμάδια και οι βίδες είναι σφιγμένα.
- Βεβαιωθείτε ότι όλα τα καλύμματα, οι προφυλακτήρες, οι χειρολαβές και ο εξοπλισμός κοπής είναι σωστά συνδεδεμένα και δεν έχουν υποστεί ζημιά πριν την εκκίνηση του προϊόντος.

Μπαταρία



ΠΡΟΕΙΔΟΠΟΙΗΣΗ: Προτού χρησιμοποιήσετε την μπαταρία, διαβάστε και κατανοήστε το κεφάλαιο για την ασφάλεια. Διαβάστε και κατανοήστε το εγχειρίδιο χρήσης για την μπαταρία και τον φορτιστή της μπαταρίας.

Διατηρείτε την μπαταρία και τον φορτιστή μπαταρίας στις σωστές θερμοκρασίες περιβάλλοντος.

	Θερμοκρασία περιβάλλοντος
Λειτουργία του προϊόντος	-5 °C-40 °C / 23 °F-104 °F
Φόρτιση μπαταρίας	5 °C-40 °C / 41 °F-104 °F

Κατάσταση μπαταρίας

Στην οθόνη εμφανίζεται η κατάσταση φόρτισης και τυχόν προβλήματα της μπαταρίας.

(Εικ. 41)

Ένδειξη LED	Κατάσταση μπαταρίας (κατάσταση φόρτισης)	
	BLI10, BLI20	40-B70, 40-B140
4 λυχνίες LED αναμμένες	Δ/Υ	Η μπαταρία είναι φορτισμένη κατά 76% - 100%.
3 λυχνίες LED αναμμένες	Η μπαταρία είναι φορτισμένη κατά 76% - 100%.	Η μπαταρία είναι φορτισμένη κατά 51% - 75%.
2 λυχνίες LED αναμμένες	Η μπαταρία είναι φορτισμένη κατά 51% - 75%.	Η μπαταρία είναι φορτισμένη κατά 26% - 50%.
1 λυχνία LED είναι αναμμένη	Η μπαταρία είναι φορτισμένη κατά 26% - 50%.	Η μπαταρία είναι φορτισμένη κατά 6% - 25%.
1 λυχνία LED αναβοσβήνει	Η μπαταρία είναι φορτισμένη κατά 0% - 25%.	Η μπαταρία είναι φορτισμένη κατά 0% - 5%.

Φόρτιση της μπαταρίας

Φορτίστε την μπαταρία, εάν είναι η πρώτη φορά που τη χρησιμοποιείτε. Μια καινούργια μπαταρία είναι φορτισμένη μόνο κατά 30%.



ΠΡΟΣΟΧΗ: Συνδέστε τον φορτιστή μπαταρίας σε μια πρίζα ρεύματος σύμφωνα με την τάση και τη συχνότητα που ορίζεται στην πινακίδα ονομαστικών τιμών.

Η μπαταρία δεν φορτίζεται εάν η θερμοκρασία της είναι μεγαλύτερη από 50 °C/122 °F.

1. Συνδέστε το καλώδιο της μπαταρίας στον φορτιστή.
2. Συνδέστε τον φορτιστή μπαταρίας σε μια γειωμένη πρίζα ρεύματος. Η ενδεικτική λυχνία LED φόρτισης αναβοσβήνει 1 φορά. (Εικ. 42)
3. Συνδέστε την μπαταρία στον φορτιστή. Η πράσινη ενδεικτική λυχνία LED φόρτισης ανάβει. Ο μέγιστος χρόνος φόρτισης της μπαταρίας δεν θα πρέπει να υπερβαίνει τις 24 ώρες. (Εικ. 43)
4. Πατήστε το κουμπί ένδειξης μπαταρίας. Αν ανάψουν όλες οι ενδεικτικές λυχνίες LED, η μπαταρία είναι πλήρως φορτισμένη.

5. Τραβήξτε το φισ ηλεκτρικής τροφοδοσίας, για να αποσυνδέσετε τον φορτιστή μπαταρίας από την πρίζα. Μην τραβάτε το καλώδιο.

6. Αφαιρέστε την μπαταρία από τον φορτιστή.

Για να συνδέσετε την μπαταρία στο προϊόν



ΠΡΟΕΙΔΟΠΟΙΗΣΗ: Στο προϊόν πρέπει να χρησιμοποιείτε μόνο την αρχική μπαταρία της Husqvarna.

1. Φορτίστε πλήρως την μπαταρία.
2. Σπρώξτε την μπαταρία μέσα στη θήκη της στο προϊόν. Όταν η μπαταρία ασφαλίσει στη θέση της, ακούγεται ένα χαρακτηριστικό "κλικ". (Εικ. 44)



ΠΡΟΣΟΧΗ: Εάν η μπαταρία δεν κινείται εύκολα μέσα στη θήκη της, αυτό σημαίνει ότι δεν έχει τοποθετηθεί σωστά. Μπορεί να προκληθεί ζημιά στο προϊόν.

Εκκίνηση λειτουργίας του προϊόντος

1. Πατήστε παρατεταμένα το κουμπί εκκίνησης/ διακοπής λειτουργίας μέχρι να ανάψει η πράσινη λυχνία LED. (Εικ. 45)
2. Πατήστε την ασφάλεια της σκανδάλης γκαζιού και τη σκανδάλη γκαζιού. Ο εξοπλισμός κοπής αρχίζει να περιστρέφεται.

Ρύθμιση της λαβής τύπου βρόγχου και του τηλεσκοπικού άξονα

1. Χαλαρώστε τη λαβή ασφάλισης και προσαρμόστε τη χειρολαβή τύπου βρόγχου στη σωστή θέση. (Εικ. 46)
2. Κλείστε τη λαβή ασφάλισης.
3. Χαλαρώστε το μοχλό στον άξονα. (Εικ. 47)
4. Ρυθμίστε το απαραίτητο μήκος στον άξονα. Βεβαιωθείτε ότι μπορείτε να δείτε το τρίγωνο στον άξονα. (Εικ. 48)
5. Κλείστε το μοχλό και σφίξτε τη βίδα.

Περιεχόμενα Μην τοποθετείτε τη χειρολαβή τύπου βρόγχου στα προειδοποιητικά αυτοκόλλητα στον άξονα.

Χρήση της λειτουργίας εξοικονόμησης SavE

Αυτό το προϊόν διαθέτει μια λειτουργία εξοικονόμησης ενέργειας που ονομάζεται SavE.

Περιεχόμενα Η λειτουργία SavE δεν μειώνει την ισχύ κοπής του προϊόντος.

1. Πατήστε το κουμπί SavE στο πληκτρολόγιο.
2. Βεβαιωθείτε ότι η πράσινη λυχνία LED ανάβει.
3. Πατήστε ξανά το κουμπί SavE για να διακόψετε τη λειτουργία. Η πράσινη λυχνία LED σβήνει. (Εικ. 49)

Λειτουργία αυτόματου τερματισμού

Το προϊόν διαθέτει λειτουργία αυτόματου τερματισμού που σταματά το προϊόν όταν δεν χρησιμοποιείται. Η πράσινη λυχνία LED εκκίνησης/διακοπής λειτουργίας σβήνει και το προϊόν σταματά να λειτουργεί μετά από 180 δευτερόλεπτα.

Λειτουργία του προϊόντος

Κοπή γρασιδιού

1. Βεβαιωθείτε ότι οι πλαστικοί δίσκοι ή η μεσινέζα χορτοκοπτικού είναι παράλληλα προς το έδαφος κατά την κοπή του γρασιδιού. (Εικ. 50)
2. Μην πιέζετε το Tri-Cut ή την κεφαλή χορτοκοπτικού στο έδαφος. Μπορεί να προκληθεί ζημιά στο προϊόν.

Περιεχόμενα Η χαμηλή θερμοκρασία περιβάλλοντος κοντά στους 0°C μπορεί να

προκαλέσει τη θραύση του δίσκου ή της μεσινέζας χορτοκοπτικού.

3. Όταν κόβετε γρασίδι, πρέπει να μετακινείτε το προϊόν από τη μία πλευρά στην άλλη. (Εικ. 51)

Περιεχόμενα Μην χρησιμοποιείτε το προϊόν με εξάρτημα κοπής που έχει υποστεί ζημιά. Ένα εξάρτημα κοπής που έχει υποστεί ζημιά μπορεί να προκαλέσει ανισορροπία, η οποία μπορεί να προκαλέσει ζημιά στο προϊόν.

Καθαρισμός του χόρτου

Η ροή αέρα από τους περιστρεφόμενους πλαστικούς δίσκους ή μεσινέζα χορτοκοπτικού μπορεί να χρησιμοποιηθεί για την αφαίρεση του κομμένου χόρταριου από μια περιοχή.

1. Κρατήστε την κεφαλή χορτοκοπτικού, τους πλαστικούς δίσκους και τη μεσινέζα χορτοκοπτικού παράλληλα και πάνω από το έδαφος.
2. Ανοίξτε τέρμα το γκάζι.
3. Μετακινήστε το εξάρτημα κοπής από τη μία πλευρά στην άλλη και καθαρίστε το χόρταρι.



ΠΡΟΕΙΔΟΠΟΙΗΣΗ: Καθαρίζετε το κάλυμμα του εξαρτήματος χορτοκοπτικού κάθε φορά που συναρμολογείτε νέους πλαστικούς δίσκους ή μεσινέζα χορτοκοπτικού, ώστε να αποφεύγετε τυχόν ανισορροπία και δονήσεις στις λαβές. Επίσης, ελέγχετε τα υπόλοιπα τμήματα του εξαρτήματος χορτοκοπτικού και καθαρίζετε το, αν είναι απαραίτητο.

Κοπή κοντά σε αντικείμενα

1. Τραβήξτε προς τα κάτω τον προφυλακτήρα φυτών. (Εικ. 52)
2. Χρησιμοποιήστε τον προφυλακτήρα φυτών για να αποφεύγετε την πρόκληση ζημιάς σε άλλα αντικείμενα. (Εικ. 53)

Διακοπή λειτουργίας του προϊόντος

1. Απελευθερώστε τη σκανδάλη γκαζιού και την ασφάλεια της σκανδάλης γκαζιού.
2. Πατήστε το κουμπί εκκίνησης/διακοπής λειτουργίας μέχρι να σβήσει η πράσινη λυχνία LED.
3. Πατήστε τα κουμπιά απασφάλισης της μπαταρίας και αφαιρέστε την μπαταρία από το προϊόν. (Εικ. 54)

Αντικατάσταση των πλαστικών δίσκων ή της μεσινέζας χορτοκοπτικού

Ανατρέξτε στις τελευταίες σελίδες του παρόντος εγχειριδίου χρήσης.

Συντήρηση

Εισαγωγή



ΠΡΟΕΙΔΟΠΟΙΗΣΗ: Προτού εκτελέσετε εργασίες συντήρησης στο προϊόν, διαβάστε και κατανοήστε το κεφάλαιο για την ασφάλεια.

Ακολουθεί μια λίστα με τα βήματα συντήρησης που πρέπει να εκτελείτε στο προϊόν. Για περισσότερες πληροφορίες, ανατρέξτε στην ενότητα *Επισκόπηση προϊόντος στη σελίδα 95*.

Πρόγραμμα συντήρησης



ΠΡΟΕΙΔΟΠΟΙΗΣΗ: Προτού εκτελέσετε εργασίες συντήρησης, πρέπει να αφαιρείτε την μπαταρία.

Συντήρηση	Καθημερινά	Κάθε εβδομάδα	Κάθε μήνα
Καθαρίστε τα εξωτερικά μέρη του προϊόντος με στεγνό πανί. Μην χρησιμοποιείτε νερό.	X		
Βεβαιωθείτε ότι το κουμπί εκκίνησης και διακοπής λειτουργεί σωστά και δεν έχει υποστεί ζημιά.	X		
Βεβαιωθείτε ότι η σκανδάλη γκαζιού και η ασφάλεια της σκανδάλης γκαζιού λειτουργούν σωστά από πλευράς ασφάλειας.	X		
Βεβαιωθείτε ότι οι λαβές είναι στεγνές και καθαρές.	X		
Βεβαιωθείτε ότι ο προφυλακτήρας του εξαρτήματος κοπής δεν έχει υποστεί ζημιά. Αντικαταστήστε τον προφυλακτήρα του εξαρτήματος κοπής, αν έχει υποστεί ζημιά.	X		
Βεβαιωθείτε ότι η λαβή ή η χειρολαβή δεν έχουν υποστεί ζημιά και έχουν στερεωθεί σωστά.	X		
Ελέγξτε τον μηχανισμό ασφάλισης του τηλεσκοπικού άξονα. Ανατρέξτε στην ενότητα <i>Έλεγχος του μηχανισμού ασφάλισης του τηλεσκοπικού άξονα στη σελίδα 108</i> .	X		
Ελέγξτε τον φορτιστή μπαταρίας και βεβαιωθείτε ότι λειτουργεί σωστά και ότι δεν έχει υποστεί ζημιά.	X		
Βεβαιωθείτε ότι η μπαταρία δεν έχει υποστεί ζημιά.	X		
Βεβαιωθείτε ότι η μπαταρία είναι φορτισμένη.	X		
Βεβαιωθείτε ότι ο φορτιστής μπαταρίας δεν έχει υποστεί ζημιά.	X		
Βεβαιωθείτε ότι οι εξωτερικές βίδες και τα παξιμάδια είναι σφιγμένα.		X	
Βεβαιωθείτε ότι τα κουμπιά απασφάλισης επάνω στην μπαταρία λειτουργούν σωστά και ασφαλίζουν την μπαταρία στο προϊόν.		X	
Ελέγξτε αν υπάρχει γράσο στην μπομπίνα της κεφαλής χορτοκοπτικού.		X	
Καθαρίστε και ελέγξτε τις συνδέσεις μεταξύ της μπαταρίας και του προϊόντος.			X
Καθαρίστε και ελέγξτε τη σύνδεση μεταξύ της μπαταρίας και του φορτιστή μπαταρίας.			X

Για να ελέγξετε την μπαταρία και το φορτιστή μπαταρίας

1. Ελέγξτε την μπαταρία για ζημιές, για παράδειγμα ρωγμές.
2. Ελέγξτε τον φορτιστή της μπαταρίας για ζημιές, για παράδειγμα ρωγμές.
3. Βεβαιωθείτε ότι το καλώδιο σύνδεσης του φορτιστή της μπαταρίας δεν έχει υποστεί ζημιά και ότι δεν παρουσιάζει ρωγμές.

Για να καθαρίσετε το προϊόν, την μπαταρία και το φορτιστή της μπαταρίας

1. Πρέπει να καθαρίζετε το προϊόν με στεγνό πανί μετά από κάθε χρήση.
2. Καθαρίστε την μπαταρία και τον φορτιστή της μπαταρίας με ένα στεγνό πανί. Διατηρήστε τις ράβδους οδήγησης της μπαταρίας καθαρές.

3. Βεβαιωθείτε ότι οι πόλοι της μπαταρίας και οι ακροδέκτες του φορτιστή της μπαταρίας είναι καθαροί προτού τοποθετήσετε την μπαταρία μέσα στο φορτιστή ή στο προϊόν.

Έλεγχος και αντικατάσταση του Tri-Cut

1. Ελέγξτε το Tri-Cut για ζημιές και ρωγμές.
2. Αφαιρέστε το Tri-Cut. *Ανατρέξτε στην ενότητα "Αφαίρεση του Tri-Cut" στην τελευταία σελίδα του εγχειριδίου χειριστή.*
3. Συναρμολογήστε το Tri-Cut. *Ανατρέξτε στην ενότητα Αλλαγή του εξαρτήματος κοπής στη σελίδα 104.*

Έλεγχος του μηχανισμού ασφάλισης του τηλεσκοπικού άξονα

1. Ελέγξτε τον μηχανισμό ασφάλισης του τηλεσκοπικού άξονα.
2. Ρυθμίστε τη δύναμη ροτής. (Εικ. 55)

Αντιμετώπιση προβλημάτων

Πληκτρολόγιο

Οθόνη LED	Πιθανά σφάλματα	Πιθανές λύσεις
Η λυχνία LED σφάλματος αναβοσβήνει.	Υπερφόρτωση	Το παρελκόμενο κοπής δεν μπορεί να κινηθεί ελεύθερα. Απελευθερώστε το παρελκόμενο κοπής.
	Απόκλιση θερμοκρασίας	Αφήστε το προϊόν να κρυώσει.
Το προϊόν δεν τίθεται σε λειτουργία.	Πίεστε τη σκανδάλη γκαζιού και ταυτόχρονα πατήστε το κουμπί εκκίνησης.	Απελευθερώστε τη σκανδάλη γκαζιού και διακόψτε τη λειτουργία του προϊόντος.
Η λυχνία LED σφάλματος ανάβει με κόκκινο φως.	Πρέπει να πραγματοποιήσετε σέρβις στο προϊόν	Απευθυνθείτε στον αντιπρόσωπο σέρβις.

Μπαταρία

Οθόνη LED	Πιθανά σφάλματα	Πιθανή ενέργεια
Η πράσινη λυχνία LED αναβοσβήνει.	Χαμηλή τάση μπαταρίας.	Φορτίστε την μπαταρία.
Η λυχνία LED σφάλματος αναβοσβήνει.	Απόκλιση θερμοκρασίας.	Χρησιμοποιήστε την μπαταρία σε θερμοκρασίες μεταξύ -10°C (14°F) και 40°C (104°F).
	Υπερβολική τάση.	Βεβαιωθείτε ότι η τάση δικτύου παροχής είναι ίδια με την τάση που αναγράφεται στην πινακίδα στοιχείων στο προϊόν. Αφαιρέστε την μπαταρία από το φορτιστή.

Οθόνη LED	Πιθανά σφάλματα	Πιθανή ενέργεια
Η λυχνία LED σφάλματος είναι αναμμένη.	Υπερβολική διαφορά τάσης μεταξύ των στοιχείων της μπαταρίας (1 V).	Απευθυνθείτε στον τοπικό αντιπρόσωπο σέρβις.

Φορτιστής μπαταρίας

Πρόβλημα	Πιθανά σφάλματα	Πιθανή λύση
Η λυχνία LED φόρτισης είναι κόκκινη.	Μόνιμο σφάλμα στον φορτιστή της μπαταρίας.	Απευθυνθείτε στον αντιπρόσωπο.
Η λυχνία LED φόρτισης αναβοσβήνει με πράσινο χρώμα.	Απόκλιση θερμοκρασίας, η μπαταρία είναι πολύ κρύα ή πολύ ζεστή για χρήση ή φόρτιση.	Αφήστε την μπαταρία να κρυώσει ή προθερμανέτε την. Όταν η θερμοκρασία της μπαταρίας είναι σωστή, μπορεί να χρησιμοποιηθεί ή να φορτιστεί εκ νέου. Χρησιμοποιήστε τον φορτιστή μπαταρίας σε θερμοκρασίες περιβάλλοντος μεταξύ 5 °C (41 °F) και 40 °C (104 °F).
Η λυχνία LED φόρτισης αναβοσβήνει με κόκκινο χρώμα.	Ελαττωματική μπαταρία.	Απευθυνθείτε στον αντιπρόσωπο.

Μεταφορά, αποθήκευση και απόρριψη

Μεταφορά και αποθήκευση

- Οι παρεχόμενες μπαταρίες ιόντων λιθίου πληρούν όλες τις απαιτήσεις της νομοθεσίας περί επικινδύνων εμπορευμάτων.
- Πρέπει να τηρείτε τις ειδικές απαιτήσεις που αναγράφονται στη συσκευασία και στις επικέτες σχετικά με την εμπορική μεταφορά. Οι απαιτήσεις αυτές πρέπει επίσης να τηρούνται από οποιουσδήποτε τρίτους και από τους διαμετακομιστές.
- Απευθυνθείτε σε ένα άτομο ειδικά εκπαιδευμένο στα επικίνδυνα υλικά προτού στείλετε το προϊόν. Να τηρείτε όλους τους ισχύοντες εθνικούς κανονισμούς.
- Αν συσκευάσετε την μπαταρία, χρησιμοποιήστε ταινία πάνω στις ακάλυπτες επαφές. Σηκώστε την μπαταρία μέσα στο πακέτο, ώστε να μην μπορεί να μετακινηθεί.
- Κατά τη φύλαξη ή τη μεταφορά του προϊόντος πρέπει πάντα να αφαιρείτε την μπαταρία.
- Τοποθετήστε την μπαταρία και τον φορτιστή της μπαταρίας σε χώρο στεγνό και προστατευμένο από την υγρασία και τον παγετό.
- Μην αποθηκεύετε την μπαταρία σε χώρους όπου ενδέχεται να προκληθεί στατικός ηλεκτρισμός. Μην αποθηκεύετε την μπαταρία σε μεταλλικό κουτί.
- Να φυλάσσετε την μπαταρία σε χώρους με θερμοκρασία μεταξύ 5 °C /41 °F και 25 °C/77 °F και μακριά από το άμεσο ηλιακό φως.
- Να φυλάσσετε το φορτιστή της μπαταρίας σε χώρους με θερμοκρασία μεταξύ 5 °C/41 °F και 45 °C/113 °F και μακριά από το άμεσο ηλιακό φως.
- Ο φορτιστής της μπαταρίας πρέπει να χρησιμοποιείται μόνο όταν η θερμοκρασία περιβάλλοντος είναι μεταξύ 5 °C/41 °F και 40 °C/104 °F.
- Φορτίστε την μπαταρία κατά 30% έως 50% προτού την φυλάξετε για μεγάλο χρονικό διάστημα.
- Να φυλάσσετε το φορτιστή της μπαταρίας σε χώρο κλειστό και χωρίς υγρασία.
- Μην φυλάσσετε την μπαταρία μαζί με τον φορτιστή. Μην επιτρέπεται να αγγίζουν τον εξοπλισμό παιδιά και άλλα μη εξουσιοδοτημένα άτομα. Να διατηρείτε τον εξοπλισμό σε χώρο που μπορείτε να κλειδώσετε.
- Προτού φυλάξετε το προϊόν για μεγάλο χρονικό διάστημα, πρέπει να το καθαρίζετε και να εκτελείτε πλήρες σέρβις.
- Για να αποφύγετε τραυματισμούς ή ζημιές στο προϊόν κατά τη μεταφορά και τη φύλαξη, χρησιμοποιήστε το προστατευτικό μεταφοράς.
- Κατά τη μεταφορά, πρέπει να στερεώνετε καλά το προϊόν.

Απόρριψη της μπαταρίας, του φορτιστή μπαταρίας και του προϊόντος

Τα σύμβολα που υπάρχουν επάνω στο προϊόν ή στη συσκευασία του υποδεικνύουν ότι το προϊόν δεν αποτελεί οικιακό απόρριμμα. Ανακυκλώστε το σε κέντρο ανακύκλωσης ηλεκτρικού και ηλεκτρονικού εξοπλισμού.

Με αυτόν τον τρόπο συμβάλλετε στην προστασία του περιβάλλοντος και των ανθρώπων.

Απευθυνθείτε στις τοπικές αρχές, στην υπηρεσία αποκομιδής οικιακών απορριμμάτων ή στον αντιπρόσωπο για περισσότερες πληροφορίες σχετικά με την ανακύκλωση του προϊόντος.

Τεχνικά στοιχεία

Τεχνικά στοιχεία

	215iL-TC
Μοτέρ	
Τύπος μοτέρ	BLDC
Ταχύτητα άξονα εξόδου, σ.α.λ	6800
Πλάτος κοπής, mm	255
Βάρος	
Βάρος χωρίς μπαταρία, kg	2,9
Εκπομπές θορύβου ¹⁶	
Στάθμη ηχητικής ισχύος, μετρούμενη τιμή σε dB (A)	90,8
Στάθμη ηχητικής ισχύος, εγγυημένη, L _{WA} σε dB (A)	93
Επίπεδα θορύβου ¹⁷	
Ισοδύναμη στάθμη ηχητικής πίεσης στα αυτιά του χειριστή, μετρημένη κατά IEC 62841-4-4, dB (A)	81,3
Στάθμες κραδασμών ¹⁸	
Επίπεδα δονήσεων στις λαβές, μετρημένα κατά IEC 62841-4-4, m/s ²	3,0 / 2,7
Διαθέτει κεφαλή χορτοκοπτικού (γνήσια), εμπρός/πίσω.	

Εγκεκριμένες μπαταρίες για το προϊόν

Μπαταρία	BLi10	BLi20	40-B70	40-B140
Τύπος	Ιόντων λιθίου	Ιόντων λιθίου	Ιόντων λιθίου	Ιόντων λιθίου

¹⁶ Οι εκπομπές θορύβου στο περιβάλλον μετρούνται ως ηχητική ισχύος (L_{WA}) σε συμμόρφωση με την Οδηγία 2000/14/EK. Η διαφορά μεταξύ της εγγυημένης και της μετρούμενης ηχητικής ισχύος είναι ότι η εγγυημένη ηχητική ισχύος περιλαμβάνει επίσης τη διασπορά στο αποτέλεσμα της μέτρησης και τις αποκλίσεις μεταξύ των διαφορετικών προϊόντων του ίδιου μοντέλου σύμφωνα με την Οδηγία 2000/14/EK.

¹⁷ Τα καταγεγραμμένα στοιχεία για την αντίστοιχη στάθμη ηχητικής πίεσης του προϊόντος έχουν μια τυπική στατιστική διασπορά (τυπική απόκλιση) ίση με 3 dB (A).

¹⁸ Τα καταγεγραμμένα στοιχεία για τη στάθμη κραδασμών έχουν τυπική στατιστική διασπορά (τυπική απόκλιση) ίση με 1,5 m/s².

Μπαταρία	BLi10		BLi20		40-B70	40-B140
Χωρητικότητα μπαταρίας, Ah	Ανατρέξτε στο σήμα ονομαστικών τιμών της μπαταρίας		Ανατρέξτε στο σήμα ονομαστικών τιμών της μπαταρίας		Ανατρέξτε στο σήμα ονομαστικών τιμών της μπαταρίας	Ανατρέξτε στο σήμα ονομαστικών τιμών της μπαταρίας
Ονομαστική τάση, V	36	36,5	36	36,5	36	36
Βάρος, lb/kg	0,7	0,7	1,2	1,2	0,8	1,25

Εγκεκριμένοι φορτιστές μπαταρίας για το προϊόν

Φορτιστής μπαταρίας	QC80	40-C80
Τάση δικτύου παροχής, V	100-240	100-240
Συχνότητα, Hz	50-60	50-60
Ισχύς, W	100	72
Τάση εξόδου, V d.c./ Amp, A	36/2	43/1,6

Αξεσουάρ

Εγκεκριμένα αξεσουάρ

Εγκεκριμένα αξεσουάρ	Τύπος	Προφυλακτήρας εξαρτήματος κοπής, κωδ. προϊόντος
Κεφαλή χορτοκοπτικού	R25B (καλώδιο Ø 2 mm)	529 96 69-01
Κεφαλή χορτοκοπτικού	Tri-Cut B (255 mm)	529 96 69-01

Δήλωση Συμμόρφωσης

Δήλωση συμμόρφωσης ΕΕ

Εμείς, η **Husqvarna AB**, SE-561 82 Huskvarna, Σουηδία,
τηλ.: +46-36-146500, δηλώνουμε με αποκλειστική μας
ευθύνη ότι το προϊόν:

Περιγραφή	Χορτοκοπτικό με μπαταρία
Μάρκα	Husqvarna
Τύπος / Μοντέλο	215iL-TC
Αναγνώριση	Αριθμοί σειράς με ημερομηνία από το 2025 και έπειτα

συμμορφώνεται πλήρως με τις ακόλουθες οδηγίες και
τους κανονισμούς της ΕΕ:

Οδηγία/Κανονισμός	Περιγραφή
2006/42/EK	"σχετικά με τα μηχανήματα"
2014/30/EE	"σχετικά με την ηλεκτρομαγνητική συμβατότητα"
2000/14/EK	"σχετικά με τις εκπομπές θορύβου στο περιβάλλον"
2011/65/EE	"σχετικά με τον περιορισμό της χρήσης ορισμένων επικίνδυνων ουσιών σε είδη ηλεκτρικού και ηλεκτρονικού εξοπλισμού"

και ότι εφαρμόζονται τα παρακάτω πρότυπα ή/και
τεχνικές προδιαγραφές: EN 62841-1:2015+A11:2022,
IEC 62841-4-4:2020, EN ISO 12100:2010, EN
IEC 63000:2018, EN IEC 55014-1:2021; EN IEC
55014-2:2021.

Κοινοποιημένος φορέας: O 0036 TÜV SÜD
Industrie Service GmbH, Westendstraße199,80686
München, Germany έχει πιστοποιήσει τη συμμόρφωση
με την οδηγία 2000/14/EK του Συμβουλίου, διαδικασία
αξιολόγησης συμμόρφωσης: Παράρτημα VI.

Για πληροφορίες σχετικά με τις εκπομπές θορύβου,
ανατρέξτε στην ενότητα *Τεχνικά στοιχεία στη σελίδα 110*.

Huskvarna, 2025-01-10



Claes Losdal, Διευθυντής Έρευνας και Ανάπτυξης
Husqvarna AB

Υπεύθυνος για την τεχνική τεκμηρίωση



Contenido

Introducción.....	113	Transporte, almacenamiento y eliminación.....	126
Seguridad.....	114	Datos técnicos.....	127
Montaje.....	121	Accesorios.....	128
Funcionamiento.....	121	Declaración de conformidad.....	129
Mantenimiento.....	124	Apéndice	478
Resolución de problemas.....	125		

Introducción

Descripción del producto

Husqvarna 215iL-TC es una recortadora de césped de batería con un motor eléctrico.

Trabajamos constantemente para mejorar la seguridad y la eficiencia durante el uso del producto. Póngase en contacto con su distribuidor para obtener más información.

Uso previsto

El producto se utiliza con cuchillas de plástico, no metálicas. No utilice el producto para otras tareas que

no sean cortar maleza, hierba o vegetación blanda similar.

Nota: El uso de este producto podría estar limitado por la legislación nacional.

Utilice el producto solo con accesorios homologados por el fabricante. consulte *Accesorios en la página 128*.

Descripción del producto

(Fig. 1)

1. Cabezal de corte Tri-Cut
2. Protección del equipo de corte
3. Tubo
4. Ajuste del tubo (telescópico)
5. Asa cerrada
6. Teclado
7. Indicador de advertencia del teclado
8. Interruptor de encendido/apagado
9. Botón SavE
10. Gatillo de alimentación
11. Bloqueo del gatillo de alimentación
12. Indicador de potencia y advertencia
13. Conector
14. Cargador de batería 40-C80
15. Salva plantas
16. Indicador de advertencia de la batería
17. Estado de la batería
18. Botón del testigo de la batería
19. Botones para extraer la batería
20. Batería
21. Herramienta combinada
22. Disco de arrastre
23. Manual de usuario

Símbolos que aparecen en el producto

- (Fig. 2) **ADVERTENCIA:** Este producto puede ser peligroso y ocasionar daños graves o mortales tanto al usuario como a cualquier otra persona. Tenga cuidado y utilice el producto correctamente.
- (Fig. 3) Lea detenidamente el manual de usuario y asegúrese de que entiende las instrucciones antes de usar la máquina.
- (Fig. 4) Utilice protectores auriculares y protección ocular.
- (Fig. 5) No exponer a la lluvia.
- (Fig. 6) Etiqueta de emisiones sonoras en el entorno conforme con las directivas y normativas de la UE y el Reino Unido (incluida la legislación de Nueva Gales del Sur). Los datos sobre las emisiones sonoras se pueden encontrar en la etiqueta de la máquina y en el capítulo Datos técnicos. Solo se aplica cuando el producto está equipado con hilo de corte.
- (Fig. 7) Tenga cuidado con los objetos que puedan salir despedidos.

- (Fig. 8) Desconecte la batería antes de realizar cualquier trabajo de mantenimiento.
- (Fig. 9) Ni el producto ni su embalaje son residuos domésticos. Recíclelos en un centro de reciclaje para equipos eléctricos y electrónicos.

- (Fig. 10) El producto cumple con las directivas de la UE vigentes.
- (Fig. 11) El producto cumple con la normativa vigente del Reino Unido.
- (Fig. 12) Corriente continua.

(Fig. 16) La distancia entre la máquina y los transeúntes debe ser de al menos 15 m (50 pies).

(Fig. 17) No utilice cuchillas metálicas.

aaaassxxxx

En la placa de características técnicas o en la impresión láser se indica el número de serie. **aaaa** es el año de producción y **ss** es la semana de producción.

Símbolos que aparecen en la batería o en el cargador de la batería

(Fig. 18) Recicle el producto en un centro de reciclaje para equipos eléctricos y electrónicos. (Aplicable solo para Europa)

(Fig. 13) Transformador a prueba de fallos.

(Fig. 14) Utilice y guarde el cargador de baterías únicamente en interiores.

(Fig. 15) Doble aislamiento.

Daños en el producto

No nos hacemos responsables de los daños que pueda sufrir el producto si:

- El producto se ha reparado incorrectamente.
- El producto se ha reparado con piezas que no eran del fabricante o no autorizadas por el fabricante.
- El producto tiene un accesorio que no es del fabricante o no está autorizado por este.
- El producto no se ha reparado en un centro de servicio autorizado o por un organismo homologado.

Seguridad

Definiciones de seguridad

Las advertencias, precauciones y notas se utilizan para destacar información especialmente importante del manual.



ADVERTENCIA: Indica un riesgo de lesiones o incluso de muerte del usuario o de las personas cercanas si no se respetan las instrucciones del manual.



PRECAUCIÓN: Indica un riesgo de daños en el producto, otros materiales o el área adyacente si no se respetan las instrucciones del manual.

Nota: Se usa para proporcionar más información necesaria en una situación determinada.

Avisos generales de seguridad para máquinas



ADVERTENCIA: Lea todas las advertencias de seguridad, instrucciones, ilustraciones y especificaciones que se incluyen con esta máquina. Si no se siguen las instrucciones que aparecen a continuación, puede producirse una descarga eléctrica, un incendio o lesiones graves.

Conservar todas las advertencias e instrucciones para su posterior consulta.

Nota: El término "máquina" empleado en las advertencias hace referencia tanto a la máquina que funciona con conexión eléctrica a la red (con cable) como a la que funciona con batería (inalámbrica).

Seguridad en el área de trabajo

- **Mantenga el área de trabajo limpia y bien iluminada.** Las zonas abarrotadas de cosas u oscuras favorecen los accidentes.

- **No utilice la máquina en entornos explosivos, como aquellos en los que hay líquidos, gases o polvo inflamables.** La máquina produce chispas que pueden inflamarse el polvo o los vapores.
- **Mantenga alejados a los niños y a otras personas mientras trabaje utilice una máquina.** Las distracciones pueden hacer que pierda el control de esta.

Seguridad eléctrica

- **El enchufe de la máquina debe ser apto para la toma de corriente utilizada. Nunca modifique el enchufe. No utilice adaptadores en máquinas con conexión a tierra.** Use enchufes sin modificar y tomas de corriente del mismo tipo que estos para reducir el riesgo de descarga eléctrica.
- **Evite el contacto de su cuerpo con superficies puestas a tierra como tuberías, radiadores, cocinas y neveras,** ya que esto aumenta el riesgo de descarga eléctrica.
- **No exponga la máquina a la lluvia ni a ambientes húmedos.** Si entra agua en la máquina, aumentará el riesgo de recibir descargas eléctricas.
- **Maneje el cable con cuidado. No lo utilice nunca para transportar la máquina, tirar de ella o desenchufarla.** Manténgalo alejado de fuentes de calor, aceite, aristas vivas o piezas móviles. Los cables dañados o enredados incrementan el riesgo de descarga eléctrica.
- **Cuando trabaje con una máquina en exteriores, utilice un cable alargador apto para exteriores.** Utilizar un cable adecuado para su uso en exteriores reduce el riesgo de descarga eléctrica.
- **Si es necesario utilizar la máquina en un lugar húmedo, use un interruptor diferencial como protección.** La utilización de un interruptor diferencial reduce el riesgo de descargas eléctricas.

Seguridad personal

- **Preste atención en todo momento, fíjese en lo que está haciendo y utilice la máquina con sentido común. No utilice la máquina si está cansado o bajo los efectos de estupefacientes, alcohol o medicamentos.** Un momento de descuido puede causar lesiones graves.
- **Utilice el equipo de protección personal. Use siempre protección ocular.** Los equipos de protección, como la mascarilla antipolvo, el calzado de seguridad antideslizante, el casco o los protectores auriculares utilizados en las condiciones adecuadas, reducirán el riesgo de lesiones.
- **Evite la puesta en marcha accidental de la herramienta. Asegúrese de que el interruptor esté en la posición de apagado antes de conectar la máquina a la fuente de alimentación o la batería, cogerla o transportarla.** Transportar la máquina con el dedo puesto sobre el interruptor o conectar la alimentación con el interruptor en la posición de encendido puede provocar accidentes.

- **Retire todas las llaves de ajuste o herramientas antes de encender la máquina.** Si se deja una llave de tuercas o herramienta colocada en una pieza giratoria de la máquina, se pueden producir lesiones.
- **No se estire demasiado. Mantenga una posición correcta y el equilibrio en todo momento.** Así podrá controlar mejor la máquina en situaciones imprevistas.
- **Utilice la ropa adecuada. No utilice nunca ropa amplia ni joyas. Mantenga el pelo y la ropa alejados de las piezas móviles.** La ropa holgada, las joyas o el pelo largo pueden quedar atrapados en las piezas móviles.
- **Si se suministran equipos de aspiración o captación de polvo, asegúrese de que estén conectados y se utilicen correctamente.** El uso de estos equipos puede reducir los riesgos derivados del polvo.
- **Evite que la familiaridad adquirida con el uso frecuente de la máquina le lleve a confiarse e ignorar los principios de seguridad.** Una acción negligente puede causar lesiones graves en una fracción de segundo.

Uso y mantenimiento de la máquina

- **No sobrecargue la máquina. Utilice la máquina adecuada para el trabajo que deba realizar.** Con la máquina apropiada hará el trabajo mejor y con mayor seguridad a la potencia para la que fue diseñada.
- **No utilice la máquina si el interruptor de encendido y apagado no funciona.** Las máquinas que no se puedan controlar con el interruptor son peligrosas y deben repararse.
- **Desconecte el enchufe de la fuente de alimentación o quite la batería de la máquina, si se puede, antes de realizar cualquier ajuste, cambiar accesorios o guardar la máquina.** Las medidas de seguridad preventivas reducen el riesgo de poner en marcha la máquina de forma accidental.
- **Si no utiliza la máquina, guárdela fuera del alcance de los niños y no permita que personas no familiarizadas con su uso o con estas instrucciones la manejen.** La máquina puede ser peligrosa en manos de usuarios no cualificados.
- **Efectúe el mantenimiento de la máquina y de los accesorios. Compruebe que no haya partes móviles mal alineadas o trabadas, piezas rotas o cualquier otra circunstancia que pueda afectar al funcionamiento de la máquina. Si detecta daños, lleve la máquina a reparar antes de usarla.** Muchos accidentes se deben al uso de máquinas que carecen de un mantenimiento adecuado.
- **Mantenga las herramientas de corte afiladas y limpias.** Las máquinas de corte bien afiladas y con un mantenimiento adecuado tienen menos probabilidades de trabarse y son más fáciles de controlar.
- **Utilice la máquina, los accesorios, los útiles, etc., según se indica en estas instrucciones, teniendo en**

cuenta las condiciones de trabajo y la tarea que debe realizar. El uso de la máquina para trabajos distintos a aquellos para los que fue diseñada podría dar lugar a situaciones peligrosas.

- **Mantenga las asas y superficies de agarre secas, limpias y sin aceite ni grasa.** Si las asas y las superficies de agarre están resbaladizas, no podrá manejar ni controlar de forma segura la máquina ante cualquier imprevisto.

Uso y cuidados de la herramienta a batería

- **Efectúe las recargas únicamente con el cargador especificado por el fabricante.** Un cargador apto para un tipo de batería puede comportar riesgo de incendio al utilizarse con otra batería distinta.
- **Utilice las máquinas exclusivamente con las baterías específicas para ellas.** El uso de otra batería puede comportar riesgo de lesiones e incendio.
- **Cuando no utilice la batería, manténgala alejada de objetos metálicos pequeños que puedan conectar un terminal con otro, como clips, monedas, llaves, clavos, tornillos, etc.** Un cortocircuito en los terminales de la batería puede causar quemaduras o un incendio.
- **En condiciones extremas, el líquido puede salir expulsado de la batería; evite cualquier contacto con él. Si se produjera un contacto accidentalmente, enjuáguese con agua. Además, si el líquido entra en contacto con los ojos, busque asistencia médica.** El líquido expulsado de la batería puede causar irritaciones o quemaduras.
- **No utilice baterías o máquinas dañadas o modificadas.** Las baterías dañadas o modificadas pueden comportarse de forma impredecible y provocar incendios, explosiones o lesiones.
- **No exponga la batería o la máquina al fuego ni a temperaturas excesivas.** La exposición al fuego o a temperaturas superiores a 130 °C (265 °F) puede causar una explosión.
- **Siga todas las instrucciones de carga y no cargue la batería o la máquina fuera del intervalo de temperaturas especificado en las instrucciones.** La carga incorrecta o a temperaturas fuera del intervalo especificado puede dañar la batería y aumentar el riesgo de incendio.

Mantenimiento

- **Las tareas de mantenimiento de la máquina solo deben llevarlas a cabo los técnicos cualificados que utilicen piezas de repuesto originales.** Esto garantizará la seguridad de la máquina.
- **No realice ningún mantenimiento en baterías dañadas.** La revisión y reparación de las baterías solo debe realizarla el fabricante o proveedores de servicios autorizados.

Advertencias de seguridad sobre la recortadora de césped

- **No utilice la máquina con condiciones meteorológicas adversas, especialmente si hay riesgo de tormenta eléctrica.** Así disminuirá el riesgo de recibir un rayo.
- **Inspeccione a fondo la zona donde se va a utilizar la máquina por si hubiera animales.** La máquina puede lesionar a los animales durante su funcionamiento.
- **Inspeccione a fondo la zona donde va a utilizar la máquina y retire todas las piedras, palos, alambres, huesos y cualquier otro objeto extraño.** Los objetos que salen despedidos pueden provocar lesiones.
- **Antes de utilizar la máquina, realice siempre una inspección visual para comprobar que el disco o cuchilla y el conjunto de disco o cuchilla no están dañados.** Las piezas dañadas aumentan el riesgo de lesiones.
- **Siga las instrucciones de cambio de accesorios.** Si las tuercas o pernos de fijación de la cuchilla no se aprietan correctamente, la cuchilla puede dañarse o soltarse.
- **Utilice protección para los ojos, los oídos, la cabeza y las manos.** Un equipo de protección adecuado reducirá los daños personales producidos por fragmentos desprendidos o por un contacto accidental con la cuchilla o el hilo de corte.
- **Durante el funcionamiento de la máquina, lleve siempre calzado de protección antideslizante. No use la máquina descalzo o con sandalias abiertas.** Así reducirá la posibilidad de sufrir lesiones en los pies por contacto con la cuchilla o el hilo de corte.
- **Cuando utilice la máquina, use siempre pantalones largos.** La piel expuesta aumenta la probabilidad de sufrir lesiones por objetos que pueden salir despedidos.
- **Mantenga a los transeúntes alejados mientras trabaja con la máquina.** Los restos que salen despedidos pueden provocar graves lesiones.
- **Utilice siempre las dos manos para trabajar con la máquina.** Sujete la máquina con las dos manos para evitar la pérdida del control.
- **Sujete la máquina únicamente por las superficies de agarre aisladas, ya que la línea de corte o el disco pueden entrar en contacto con algún cable oculto.** Si la línea de corte o el disco entra en contacto con un cable con tensión, es posible que las piezas metálicas expuestas de la máquina conduzcan la corriente y pueden hacer que el usuario sufra una descarga eléctrica.
- **Mantenga en todo momento una posición correcta de los pies, con un buen apoyo, y utilice el producto únicamente cuando se encuentre de pie sobre terreno firme.** Una superficie inestable o resbaladiza podría hacerle perder el equilibrio o el control de la máquina.
- **No opere la máquina en pendientes excesivamente pronunciadas.** Así reducirá el riesgo de perder el

- control, resbalar o caer, lo que puede provocar lesiones.
- **Cuando trabaje en pendientes, asegúrese siempre de tener los pies firmemente asentados, trabaje siempre en perpendicular a la superficie de las pendientes, nunca hacia arriba o hacia abajo, y extreme la precaución al cambiar de dirección.** Así reducirá el riesgo de perder el control, resbalar o caer, lo que puede provocar lesiones.
 - **Mantenga todas las partes del cuerpo alejadas del disco, hilo o cuchilla cuando la máquina esté en funcionamiento. Antes de arrancar la máquina, asegúrese de que el disco, el hilo o la cuchilla no estén en contacto con nada.** Un momento de descuido mientras se usa la máquina puede causar lesiones graves.
 - **No use la máquina por encima de la altura de la cintura.** De esta manera, se evita el contacto involuntario con el disco o cuchilla y se tiene un control mayor de la máquina en caso de imprevistos.
 - **Preste especial atención a las reculadas al cortar broza y árboles jóvenes sometidos a tensión.** Cuando la tensión de las fibras de la madera se libera, la broza o el árbol joven puede golpear al usuario y provocar la pérdida del control de la máquina.
 - **Sea especialmente cauto al cortar broza y árboles jóvenes.** Las ramas delgadas pueden trabarse en el disco y golpearle o hacerle perder el equilibrio.
 - **Mantenga el control de la máquina y no toque los discos, hilos o cuchillas ni otras piezas móviles peligrosas mientras todavía estén en movimiento.** Así reducirá el riesgo de sufrir lesiones por contacto con piezas móviles.
 - **Transporte siempre la máquina apagada y alejada del cuerpo.** El manejo correcto de la máquina reducirá las posibilidades de contacto accidental con un disco, una cuchilla o un hilo de corte en movimiento.
 - **Utilice únicamente cuchillas, hilos, cabezales de corte y discos de repuesto especificados por el fabricante.** El uso de piezas de repuesto incorrectas aumenta el riesgo de avería y lesiones.
 - **Al retirar el material atascado o realizar el mantenimiento de la máquina, asegúrese de que todos los interruptores de alimentación están apagados y de que ha extraído o desconectado la batería.** El accionamiento inesperado de la máquina mientras retira el material atascado o efectúa tareas de mantenimiento puede provocar lesiones graves.

Comprobación previa

- No olvide extraer la batería para evitar que el producto arranque accidentalmente. No olvide extraer la batería antes de realizar cualquier tarea de mantenimiento en el producto.
- Antes de usar el producto, y después de cualquier impacto, compruebe que no hay signos de desgaste o daños y, si fuera necesario, repárelo.

- Inspeccione la zona de trabajo. Quite todos los materiales sueltos, como piedras, cristales rotos, clavos, alambres, cordones, etc., que puedan salir despedidos o enredarse en la recortadora o en su protección.
- Compruebe que el motor no está sucio ni presenta grietas. Limpie el motor de hierba y hojas con un cepillo. Se deben utilizar guantes cuando sea necesario.
- Compruebe que el cabezal de corte está bien acoplado a la recortadora.
- Compruebe que el producto esté en perfecto estado de funcionamiento. Verifique que todas las tuercas y tornillos estén apretados.
- Asegúrese de que el cabezal de corte y la protección del equipo de corte no estén dañados ni presenten grietas. Cambie el cabezal de corte o la protección del equipo de corte si han recibido golpes o están agrietados. Utilice siempre la protección recomendada para cada equipo de corte en particular. Consulte el capítulo Datos técnicos.
- El usuario del producto debe asegurarse de que ninguna persona o animal se acerquen a menos de 15 metros durante el trabajo. Si hay varios operarios trabajando en el mismo lugar, la distancia de seguridad entre ellos debe ser de al menos 15 metros.
- Lleve a cabo una inspección general del producto antes de su uso. Observe el programa de mantenimiento.
- El uso del producto podría estar regulado por los reglamentos nacionales o locales. Observe los reglamentos indicados.

Emplee siempre el sentido común.

Es imposible abarcar todas las situaciones en las que puede encontrarse. Utilice siempre el equipo con cuidado y sentido común. Evite todas aquellas situaciones que considere que sobrepasan sus capacidades. Si, después de leer estas instrucciones, no está seguro del procedimiento que debe seguir, consulte a un experto antes de utilizar el equipo.



ADVERTENCIA: No permita nunca que los niños utilicen la máquina ni permanezcan cerca de ella. La máquina es muy fácil de arrancar y los niños podrían hacerlo si no se les vigila lo suficiente. Ello puede comportar riesgo de daños personales graves. Por consiguiente, desconecte la batería cuando la máquina no esté bajo control.

Instrucciones generales de seguridad



ADVERTENCIA: Lea las siguientes instrucciones de advertencia antes de utilizar el producto.

- Extraiga la batería para evitar que el producto arranque accidentalmente.
- Este producto es una herramienta peligrosa si no se usa con cuidado o si se utiliza de forma incorrecta. Este producto puede ocasionar lesiones graves o mortales tanto al usuario como a cualquier otra persona.
- No utilice el producto si se ha modificado respecto de sus especificaciones iniciales. No cambie una parte del producto sin la autorización del fabricante. Utilice únicamente las piezas que están autorizadas por el fabricante. Las lesiones o la muerte son un posible resultado de un mantenimiento incorrecto.
- Compruebe el producto antes de utilizarlo. Consulte *Dispositivos de seguridad en el producto en la página 118* y *Descripción del producto en la página 113*. No utilice un producto que esté dañado o que no funcione correctamente. Lleve a cabo las comprobaciones de seguridad y siga las instrucciones de mantenimiento y servicio descritas en este manual.
- Debe vigilarse a los niños para asegurarse de que no juegan con el producto. No permita nunca que los niños ni otras personas sin formación utilicen o reparen el producto o su batería. La legislación local regula la edad del usuario.
- Mantenga el producto en un área cerrada para impedir el acceso a niños o personas no autorizadas.
- Guarde el producto lejos del alcance de los niños.
- Bajo ninguna circunstancia debe modificarse la configuración original del producto sin autorización del fabricante. Utilice siempre accesorios originales. Las modificaciones o la utilización de accesorios no autorizados pueden ocasionar accidentes graves o incluso la muerte del usuario o de terceros.
- El valor total de vibración declarado se ha medido conforme a un método de prueba estándar y puede utilizarse para comparar herramientas entre sí.
- El valor total de vibración declarado también puede utilizarse como valoración preliminar de la exposición.
- La emisión de vibraciones durante el uso de la herramienta eléctrica puede ser diferente del valor total declarado en función del uso de la misma. El usuario debe conocer las medidas de autoprotección necesarias que se basan en una estimación de la exposición en condiciones de uso reales (teniendo en cuenta todas las partes del ciclo de funcionamiento, como los periodos en que la herramienta está apagada y el funcionamiento en ralentí, además del tiempo que se activa el gatillo).

Nota: El uso podría estar regulado por la legislación nacional o local. Observe los reglamentos indicados.

Equipo de protección personal



ADVERTENCIA: Lea las siguientes instrucciones de advertencia antes de utilizar el producto.

- Para trabajar con el producto, debe utilizar siempre un equipo de protección personal homologado. El equipo de protección personal no elimina completamente el riesgo de lesiones, pero reduce la gravedad de las lesiones en caso de accidente. Deje que el distribuidor le ayude a seleccionar el equipo adecuado.
- Utilice protección auditiva homologada.

(Fig. 19)

- Utilice protección ocular homologada. Si se utiliza visor, deben utilizarse también gafas protectoras homologadas. Por gafas protectoras homologadas se entienden las que cumplen con la norma ANSI Z87.1 para EE. UU. o EN 166 para países de la UE.

(Fig. 20)

- Utilice guantes cuando sea necesario, por ejemplo, para el montaje, inspección o limpieza del equipo de corte.

(Fig. 21)

- Use botas de protección con puntera de acero y suela antideslizante.

(Fig. 22)

- Use indumentaria de material resistente. Use siempre pantalones largos y gruesos, y mangas largas. No lleve ropa suelta que pueda quedar atrapada en los arbustos y ramas. No utilice joyas, pantalones cortos ni sandalias. No vaya con los pies descalzos. Recójase el pelo por encima de los hombros.
- Mantenga cerca el equipo de primeros auxilios.

(Fig. 23)

Dispositivos de seguridad en el producto



ADVERTENCIA: Lea las siguientes instrucciones de advertencia antes de utilizar el producto.

En este apartado se describen los componentes de seguridad del producto, su función y el modo de efectuar el control y el mantenimiento para garantizar un funcionamiento óptimo. Consulte las instrucciones del apartado *Introducción en la página 113* para conocer dónde se encuentran estas piezas en el producto.

La vida útil del producto puede acortarse y el riesgo de accidentes puede aumentar si el mantenimiento no se hace de forma adecuada y si los trabajos de servicio y reparación no se efectúan de forma profesional. Si necesita más información, solicítela al distribuidor de su zona.



ADVERTENCIA: No emplee nunca un producto cuyos componentes de seguridad estén dañados. Efectúe la inspección y el mantenimiento del equipo de seguridad del producto tal como se describe en este apartado. Si el producto no supera cualquiera de estas pruebas, póngase en contacto con el taller de servicio para repararlo.



PRECAUCIÓN: Todos los trabajos de servicio y reparación de la máquina requieren una formación especial. Esto es especialmente cierto en lo que respecta al equipo de seguridad del producto. Si la máquina no pasa alguno de los controles indicados a continuación, acuda a su taller de servicio local. La compra de alguno de nuestros productos le garantiza que puede recibir un mantenimiento y servicio profesional. Si no ha adquirido la máquina en uno de nuestros distribuidores especializados con taller de servicio, solicite información sobre el taller más cercano.

Comprobación del teclado

1. Mantenga presionado el botón de arranque/parada (A). (Fig. 24)
 - a) El producto está encendido cuando el LED (B) está iluminado.
 - b) El producto está apagado cuando el LED (B) no está iluminado.
2. Consulte *Teclado en la página 125* si el indicador de advertencia (C) se enciende o parpadea.

Comprobación del bloqueo del gatillo de alimentación

El bloqueo del gatillo de alimentación impide el arranque accidental. Al presionar el bloqueo (A), el gatillo de alimentación (B) se desacopla. Al soltar el mango, el gatillo de alimentación y el bloqueo regresan a sus posiciones iniciales. (Fig. 25)

1. Asegúrese de que el gatillo de alimentación esté bloqueado cuando el bloqueo regrese a su posición inicial. (Fig. 26)
2. Empuje el gatillo de alimentación y asegúrese de que vuelve a su posición inicial al soltarlo. (Fig. 27)
3. Compruebe que el gatillo de alimentación y su bloqueo se mueven con facilidad, y que el muelle de retorno funciona correctamente. (Fig. 28)
4. Arranque el producto. Consulte la sección *Arranque del producto en la página 123*.
5. Aplique la máxima potencia.
6. Suelte el gatillo de alimentación y asegúrese de que el equipo de corte se detiene completamente.

Comprobación de la protección del equipo de corte



ADVERTENCIA: No utilice un equipo de corte si no está equipado con una protección homologada y debidamente montada. Utilice siempre la protección del equipo de corte recomendada para el equipo de corte que esté utilizando; consulte *Datos técnicos en la página 127*. Si se monta una protección del equipo de corte incorrecta o defectuosa, esto puede causar daños personales graves.

La protección del equipo de corte evita que los objetos salgan despedidos hacia el usuario. La protección del equipo de corte también evita daños al impedir el contacto con el equipo de corte.

1. Pare el motor.
2. Compruebe visualmente si hay daños como, por ejemplo, grietas.
3. Si la protección del equipo de corte está dañada, cámbiela.

Equipo de corte

Seleccione el equipo de corte adecuado y realice las tareas de mantenimiento en el equipo de corte para:

- Obtener un rendimiento de corte óptimo.
- Prolongar la vida útil del equipo de corte.



ADVERTENCIA: Utilice únicamente el equipo de corte con la protección recomendada por nosotros. Consulte *Accesorios homologados en la página 128*. Lea las instrucciones del equipo de corte para montar correctamente el hilo de corte y las cuchillas de plástico.



ADVERTENCIA: Un equipo de corte defectuoso puede aumentar el riesgo de accidentes.



ADVERTENCIA: Corte siempre la alimentación antes de realizar ningún trabajo en el equipo de corte. Este seguirá girando después de soltar el gatillo de alimentación. Asegúrese de que el equipo de corte se ha detenido completamente y desconecte la batería del producto antes de comenzar a trabajar en equipo.

Accesorio de corte



ADVERTENCIA: Asegúrese siempre de que el hilo de corte esté enrollado de forma firme y uniforme en el rodillo,

para evitar vibraciones perjudiciales para la salud.

(Fig. 29)

- Utilice únicamente los equipos de corte recomendados.
- La longitud del hilo de corte es importante. Un hilo más largo requiere mayor potencia del motor que uno corto, con el mismo diámetro del hilo.
- Asegúrese de que la cuchilla que hay en la protección del equipo de corte esté intacta. Se encarga de cortar el hilo de corte a la largura correcta.
- Ponga el hilo de corte en agua un par de días antes de usarlo para aumentar su vida útil.

Seguridad de la batería



ADVERTENCIA: Lea las siguientes instrucciones de advertencia antes de utilizar el producto.

- Utilice únicamente las baterías serie BLi y serie 40-B. Para obtener más información, consulte *Datos técnicos en la página 127*. La batería está codificada mediante cifrado por software.
- Utilice las baterías recargables de la serie BLi y de la serie 40-B como fuente de alimentación solo para los productos Husqvarna relacionados. Para evitar lesiones, no utilice la batería como fuente de alimentación de otros dispositivos.
- Riesgo de descarga eléctrica. Evite que los terminales de la batería entren en contacto con llaves, monedas, tornillos u otros objetos metálicos. Esto puede provocar un cortocircuito en la batería.
- No utilice baterías no recargables.
- No coloque objetos en las ranuras de ventilación de la batería.
- Mantenga la batería lejos de la luz directa del sol, de fuentes de calor o de las llamas. La batería puede provocar quemaduras o quemaduras químicas.
- Mantenga la batería resguardada de la lluvia y la humedad.
- Mantenga la batería lejos de microondas y fuentes de alta presión.
- No intente desmontar o romper la batería.
- Si se produce una fuga en la batería, no permita que el líquido entre en contacto con el cuerpo ni con los ojos. Si toca el líquido, limpie el área con abundante agua y jabón, y solicite atención médica. Si el líquido entra en contacto con los ojos, no los frote: enjuáguelos con abundante agua durante al menos 15 minutos y solicite atención médica.
- Utilice la batería a temperaturas entre -10 °C (14 °F) y 40 °C (114 °F).
- No limpie la batería ni el cargador con agua. Consulte *Para limpiar el producto, la batería y el cargador de la batería en la página 125*.

- No utilice una batería defectuosa o dañada.
- Guarde la batería alejada de objetos metálicos, como clavos, tornillos o joyas.
- Mantenga la batería alejada de los niños.

Seguridad del cargador de batería



ADVERTENCIA: Lea las siguientes instrucciones de advertencia antes de utilizar el producto.

- Existe riesgo de descarga eléctrica o cortocircuito si no se siguen las instrucciones de seguridad.
- No utilice cargadores de batería diferentes al suministrado con su producto. Utilice únicamente cargadores QC80 y 40-C80 para cargar las baterías de repuesto de la serie BLi y de la serie 40-B.
- No intente desmontar el cargador de batería.
- No utilice un cargador de batería defectuoso o dañado.
- No levante el cargador de batería tirando del cable de alimentación. Para desconectar el cargador de batería de la toma de corriente, tire del enchufe. No tire del cable de alimentación.
- Mantenga todos los cables y cables de extensión, alejados del agua, el aceite y los bordes afilados. Proceda con cuidado para evitar que el cable se enganche en objetos como puertas, vallas o similares.
- No utilice el cargador de batería cerca de materiales inflamables o corrosivos. Asegúrese de que el cargador de batería no esté cubierto. Desenchufe el cargador de batería si produce humo o se incendia.
- Cargue la batería solo en interiores, en un lugar con buena ventilación y lejos de la luz solar directa. No cargue la batería en el exterior. No cargue la batería en un entorno húmedo.
- Utilice solamente el cargador de batería a temperaturas entre 5 °C (41 °F) y 40 °C (104 °F). Utilice el cargador en un entorno ventilado, seco y sin polvo.
- No cubra las ranuras de ventilación del cargador.
- Evite que los terminales del cargador de batería entren en contacto con objetos metálicos: pueden cortocircuitar el cargador.
- Utilice tomas de corriente homologadas y que estén en buen estado. Asegúrese de que el cable del cargador de batería no esté dañado. Si utiliza cables de extensión, asegúrese de que no estén dañados.
- No intente cargar baterías no recargables en los cargadores de batería.

Instrucciones de seguridad para el mantenimiento



ADVERTENCIA: Lea las instrucciones de advertencia siguientes

antes de realizar el mantenimiento del producto.

- Retire la batería antes de realizar tareas de mantenimiento, otras comprobaciones o montar el producto.
- El usuario debe realizar solo el mantenimiento y las reparaciones indicadas en este manual. Acuda a su taller de servicio autorizado para las tareas de mantenimiento y reparaciones más importantes.
- No limpie la batería o el cargador con agua. Los detergentes agresivos pueden provocar daños en el plástico.

- Si no se realiza el mantenimiento, el ciclo de vida del producto disminuye y aumenta el riesgo de accidentes.
- Para realizar todos los trabajos de mantenimiento y reparación, especialmente en los dispositivos de seguridad en el producto, es necesaria una formación especial. Si no están aprobadas todas las comprobaciones de este manual de usuario después de realizar tareas de mantenimiento, acuda al taller de su distribuidor local. Le garantizamos que realizarán reparaciones y mantenimiento profesionales en su producto.
- Utilice únicamente piezas de repuesto originales.

Montaje

Introducción



ADVERTENCIA: Asegúrese de leer y comprender el capítulo sobre seguridad antes de montar el producto.

Montaje de la protección del equipo de corte

1. Coloque la protección del equipo de corte contra la carcasa del motor. (Fig. 30)
2. Revise los ganchos de fijación. (Fig. 31)
3. Apriete el tornillo. Utilice una llave combinada. (Fig. 32)
4. Apriete el tornillo.

Cambio del equipo de corte

1. Introduzca la llave combinada en el orificio para bloquear el eje. (Fig. 33)
2. Gire el equipo de corte y empuje con cuidado la llave combinada hasta que el eje de salida quede bloqueado.
3. Gire el equipo de corte hacia la derecha para extraerlo. Asegúrese de que el disco de arrastre está en su sitio antes de instalar el equipo de corte. (Fig. 34)
4. Para instalar el equipo de corte nuevo, efectúe este procedimiento en orden inverso. (Fig. 35) (Fig. 36)

Nota: Asegúrese de que el disco de arrastre está bien colocado antes de instalar el equipo de corte.

Instalación del salva plantas

1. Instale el salva plantas en los orificios de la carcasa del motor. (Fig. 37)
2. Asegúrese de que el salva plantas puede moverse hacia adelante y hacia atrás libremente. (Fig. 38)

Montaje del mango cerrado

1. Coloque el tornillo en el mango cerrado. (Fig. 39)
2. Coloque el mango cerrado en el tubo.
3. Apriete los tornillos.
4. Ajuste el mango cerrado en una posición correcta. Consulte la sección *Ajuste del asa cerrada y el tubo telescópico en la página 123.*

Instalación del cargador de batería 40-C80 en la pared



PRECAUCIÓN: No utilice un destornillador eléctrico para instalar el cargador de batería en la pared, ya que puede provocar daños en el cargador de batería.

1. Instale el cargador de batería en la pared con los 2 tornillos (A). Utilice tacos (B) si es necesario. (Fig. 40)
2. Instale los 2 tapones para cubrir los orificios de los tornillos (C).
3. Conecte el cable de alimentación (D) al cargador de batería y a una toma de corriente.

Funcionamiento

Introducción



ADVERTENCIA: Asegúrese de leer y comprender el capítulo sobre seguridad antes de usar el producto.

Antes de utilizar el producto

- Examine la zona de trabajo para asegurarse de que se conoce el tipo de terreno. Examine la pendiente del terreno y si hay obstáculos como piedras, ramas y zanjas.

- Realice una inspección general del producto.
- Lleve a cabo las inspecciones de seguridad, y las labores de mantenimiento y servicio que se indican en este manual.
- Examine el motor en busca de suciedad o grietas. Utilice un cepillo para limpiar el motor de hierba y hojas. Utilice guantes cuando sea necesario.
- Examine el cabezal de corte y la protección del equipo de corte para comprobar si presenta daños o grietas. Cambie el cabezal de corte y la protección del equipo de corte si han recibido golpes o si presentan grietas.
- Asegúrese de que las tuercas y los tornillos están bien apretados.
- Asegúrese de que todas las tapas, protecciones y mangos, y el equipo de corte estén bien montados y no presenten daños antes de poner en marcha el producto.

antes de usar la batería. También debe leer y comprender el manual de usuario de la batería y del cargador de batería.

Mantenga la batería y el cargador de batería en lugares con una temperatura ambiente adecuada.

	Temperatura ambiente
Funcionamiento del producto	De -5 °C a 40 °C (23 °F-104 °F)
Carga de la batería	De 5 °C a 40 °C (41 °F-104 °F)

Estado de la batería

El display muestra el estado de carga y si hay algún problema con la batería.

(Fig. 41)

Batería



ADVERTENCIA: Asegúrese de leer y comprender el capítulo sobre seguridad

Indicador LED	Estado de la batería (estado de carga)	
	BLi10, BLi20	40-B70, 40-B140
4 testigos LED encendidos	N/P	La batería tiene una carga del 76 % al 100 %.
3 testigos LED encendidos	La batería tiene una carga del 76 % al 100 %.	La batería tiene una carga del 51 % al 75 %.
2 testigos LED encendidos	La batería tiene una carga del 51 % al 75 %.	La batería tiene una carga del 26 % al 50 %.
1 testigo LED encendido	La batería tiene una carga del 26 % al 50 %.	La batería tiene una carga del 6 % al 25 %.
1 testigo LED parpadeando	La batería tiene una carga del 0 % al 25 %.	La batería tiene una carga del 0 % al 5 %.

Carga de la batería

Cargue la batería si es la primera vez que la utiliza. Una batería nueva solo tiene una carga del 30 %.



PRECAUCIÓN: Conecte el cargador de batería a una toma de corriente cuya tensión y frecuencia coincidan con los valores indicados en la placa de características técnicas.

La batería no se cargará si su temperatura es superior a 50 °C/122 °F.

1. Conecte el cable de alimentación al cargador de batería.
2. Conecte el cargador de batería a una toma de corriente con conexión a tierra. El LED de carga parpadea una vez. (Fig. 42)
3. Conecte la batería al cargador. El LED de carga se enciende. Cargue la batería durante un máximo de 24 horas. (Fig. 43)
4. Pulse el botón del indicador de estado de la batería; si se encienden todos los testigos LED, la batería está completamente cargada.
5. Tire del enchufe o del conector para desconectar el cargador de batería de la toma de corriente. No tire del cable de alimentación.
6. Retire la batería del cargador.

Conexión de la batería al producto



ADVERTENCIA: Utilice solo la batería Husqvarna original en el producto.

1. Cargue totalmente la batería.
2. Inserte la batería en el soporte del producto. La batería quedará fija en su posición cuando oiga un clic. (Fig. 44)



PRECAUCIÓN: Si la batería no se mueve con facilidad en el soporte, no se habrá instalado correctamente. Esto puede provocar daños en el producto.

Arranque del producto

1. Mantenga pulsado el botón de arranque/parada hasta que el LED verde se encienda. (Fig. 45)
2. Presione el bloqueo y el gatillo de alimentación. El equipo de corte empieza a girar.

Ajuste del asa cerrada y el tubo telescópico

1. Afloje la palanca de bloqueo y ajuste el asa cerrada en la posición correcta. (Fig. 46)
2. Cierre la palanca de bloqueo.
3. Afloje la palanca del tubo. (Fig. 47)
4. Ajuste la longitud necesaria del tubo. Asegúrese de que puede ver el triángulo en el tubo. (Fig. 48)
5. Cierre la palanca y apriete el tornillo.

Nota: No coloque el asa cerrada sobre las etiquetas de advertencia del tubo.

Para usar la función SavE

Este producto cuenta con una función de ahorro de energía: SavE.

Nota: La función SavE no reduce la capacidad de corte del producto.

1. Pulse el botón SavE del teclado.
2. Asegúrese de que el LED verde se enciende.
3. Pulse de nuevo el botón SavE para desactivar la función. El LED verde se apagará. (Fig. 49)

Función de parada automática

El producto cuenta con una función de parada que detiene el producto si no se está utilizando. El LED verde de arranque/parada se apaga y el producto se detiene al cabo de 180 segundos.

Manejo del producto

Para cortar la hierba

1. Asegúrese de que el hilo de corte o las cuchillas de plástico estén en paralelo al suelo cuando corte la hierba. (Fig. 50)
2. No empuje el cabezal de corte o Tri-Cut contra el suelo. Esto puede provocar daños en el producto.

Nota: Una temperatura ambiente baja cercana a 0 °C puede provocar la rotura de la cuchilla o del hilo de corte.

3. Mueva el producto de un lado a otro cuando corte la hierba. (Fig. 51)

Nota: No utilice el producto si el equipo de corte está dañado. Un equipo de corte dañado puede provocar desequilibrios en el producto, lo cual puede llegar a provocar daños en él.

Barrer la hierba

El flujo de aire que genera el hilo de corte o las cuchillas de plástico al girar puede usarse para retirar la hierba cortada de una zona.

1. Mantenga el cabezal de corte, las cuchillas de plástico o el hilo de corte en paralelo al suelo sin llegar a tocarlo.
2. Acelere al máximo.
3. Mueva el equipo de corte de lado a lado para barrer la hierba.



ADVERTENCIA: Limpie la cubierta del equipo de corte cada vez que coloque hilo de corte nuevo o cuchillas de plástico nuevas para evitar que las empuñaduras pierdan equilibrio y generen vibraciones. Revise también el resto de componentes del equipo de corte y límpielos si es necesario.

Recorte cerca de objetos

1. Tire hacia abajo del salvapuntas. (Fig. 52)
2. Utilice el salvapuntas para evitar daños en otros objetos. (Fig. 53)

Parada del producto

1. Suelte el gatillo de alimentación y el bloqueo del gatillo de alimentación.
2. Pulse el botón de arranque/parada hasta que el LED verde se apague.
3. Pulse los botones de liberación de la batería para extraerla del producto. (Fig. 54)

Sustitución de las cuchillas de plástico o el hilo de corte

Consulte las últimas páginas de este manual de usuario.

Mantenimiento

Introducción



ADVERTENCIA: Asegúrese de leer y comprender el capítulo sobre seguridad antes de realizar tareas de mantenimiento en el producto.

A continuación incluimos una lista con los pasos de mantenimiento que hay que efectuar en el producto. Consulte *Descripción del producto en la página 113* para obtener más información.

Programa de mantenimiento



ADVERTENCIA: Extraiga la batería antes de realizar tareas de mantenimiento.

Mantenimiento	Diario	Semanal	Mensualmente
Limpie la parte exterior del producto con un trapo seco. No utilice agua.	X		
Asegúrese de que el botón de encendido y apagado funciona correctamente y que no está dañado.	X		
Asegúrese de que el gatillo de alimentación y el bloqueo de dicho gatillo funcionan correctamente y de forma segura.	X		
Asegúrese de que las asas estén limpias y secas.	X		
Asegúrese de que la protección del equipo de corte no esté dañada. Si la protección del equipo de corte está dañada, cámbiela.	X		
Asegúrese de que el asa o el manillar no estén dañados y estén fijados correctamente.	X		
Revise el mecanismo de bloqueo del tubo telescópico. consulte <i>Comprobación del mecanismo de bloqueo del tubo telescópico en la página 125</i> .	X		
Revise el cargador de batería para asegurarse de que funciona correctamente y no está dañado.	X		
Asegúrese de que la batería no esté dañada.	X		
Asegúrese de que la batería está cargada.	X		
Asegúrese de que el cargador de batería no esté dañado.	X		
Asegúrese de que los tornillos y las tuercas exteriores estén bien apretados.		X	
Asegúrese de que los botones de liberación de la batería funcionan correctamente y fijan la batería en el producto.		X	
Compruebe si hay grasa en el carrete del cabezal de corte.		X	
Limpie y revise las conexiones entre la batería y el producto.			X
Limpie y revise la conexión entre la batería y el cargador de batería.			X

Para examinar la batería y el cargador de la batería

1. Examine la batería en busca de daños, por ejemplo, grietas.
2. Examine el cargador en busca de daños, por ejemplo, grietas.
3. Asegúrese de que el cable de alimentación del cargador de la batería no esté dañado ni agrietado.

Para limpiar el producto, la batería y el cargador de la batería

1. Limpie el producto con un paño seco después de su uso.
2. Limpie la batería y cargador de batería con un paño limpio y seco. Mantenga las guías de la batería limpias.
3. Asegúrese de que los terminales de la batería y del cargador estén limpios antes de colocar la batería en el cargador o en el producto.

Comprobación y sustitución del cabezal Tri-Cut

1. Revise el cabezal Tri-Cut para comprobar si presenta daños o grietas.
2. Retire el cabezal Tri-Cut. Consulte la sección "Desmontaje del cabezal Tri-Cut" en la última página del manual de usuario.
3. Monte el cabezal Tri-Cut. Consulte Cambio del equipo de corte en la página 121.

Comprobación del mecanismo de bloqueo del tubo telescópico

1. Revise el mecanismo de bloqueo del tubo telescópico.
2. Ajuste la fuerza de apriete. (Fig. 55)

Resolución de problemas

Teclado

Pantalla LED	Posibles errores	Medidas a tomar
El LED de error parpadea.	Sobrecarga	El equipo de corte no puede moverse libremente. Desmonte el equipo de corte.
	Desviación de la temperatura	Deje que el producto se enfríe.
El producto no arranca.	Pulse el gatillo de alimentación y el botón de arranque al mismo tiempo.	Suelte el gatillo de alimentación y detenga el producto.
El LED de error se enciende con una luz roja.	El producto debe revisarse.	Acuda a su taller de servicio.

Batería

Indicadores LED	Posibles fallos	Posible acción
El LED verde parpadea.	Tensión de la batería baja.	Cargue la batería.
El LED de error parpadea.	Desviación de la temperatura.	Utilice la batería con temperaturas entre -10°C (14°F) y 40°C (104°F).
	Hay demasiada tensión.	Asegúrese de que la tensión de la red eléctrica se corresponde con la que figura en la placa de características del producto. Retire la batería del cargador.
El LED de error está encendido.	La diferencia entre las celdas es demasiado grande (1 V).	Acuda a su distribuidor.

Cargador de batería

Problema	Posibles errores	Solución posible
El LED de carga se enciende en rojo.	Error del cargador de batería.	Póngase en contacto con su distribuidor.
El LED de carga parpadea en verde.	Desviación de la temperatura; la batería está demasiado fría o demasiado caliente para utilizarla o cargarla.	Deje que la batería se enfríe o se caliente. Cuando la batería tenga la temperatura correcta, podrá usarse o cargarse. Utilice el cargador de batería a temperaturas ambiente entre 5 °C y 40 °C (41 °F y 104 °F).
El LED de carga parpadea en rojo.	Batería defectuosa.	Póngase en contacto con su distribuidor.

Transporte, almacenamiento y eliminación

Transporte y almacenamiento

- Las baterías de iones de litio incluidas cumplen los requisitos de la normativa sobre mercancías peligrosas.
- Siga el requisito especial indicado en el paquete y en las etiquetas para el transporte comercial, incluso por terceros y agentes de transporte.
- Hable con alguien con formación especial en materiales peligrosos antes de enviar el producto. Respete todas las normativas nacionales aplicables.
- Cubra con cinta los contactos abiertos cuando ponga la batería en un paquete. Embale bien la batería en el paquete para evitar que se mueva.
- Extraiga la batería si va a guardar o transportar el producto.
- Coloque la batería y el cargador en un lugar seco y protegido de la humedad y las heladas.
- No almacene la batería en lugares donde pueda generarse electricidad estática. No guarde la batería en una caja metálica.
- Guarde la batería a una temperatura de entre 5 °C (41 °F) y 25 °C (77 °F), y protegida de la luz directa del sol.
- Guarde el cargador de batería a una temperatura de entre 5 °C y 45 °C (41 °F y 113 °F), y protegido de la luz directa del sol.
- Utilice el cargador de batería solo cuando la temperatura ambiente oscile entre 5 °C (41 °F) y 40 °C (104 °F).

- Cargue la batería entre el 30 % y el 50 % antes de guardarla durante periodos de tiempo prolongados.
- Guarde el cargador de batería en un espacio cerrado y seco.
- Cuando guarde la batería, manténgala alejada del cargador. No permita que los niños ni otras personas no autorizadas toquen el equipo. Guarde el equipo en un lugar que pueda cerrarse con llave.
- Limpie el producto y realice un mantenimiento completo antes de guardarlo durante un periodo de tiempo prolongado.
- Utilice la protección de transporte del producto para evitar lesiones o daños en el producto durante el transporte y almacenamiento.
- Fije el producto firmemente durante el transporte.

desecho de la batería, el cargador y el producto

Los símbolos del producto o del embalaje del producto indican que este producto no es un residuo doméstico. Recíclolo en un centro de reciclaje para equipos eléctricos y electrónicos. Esto ayudará a evitar dañar el medioambiente y las personas.

Póngase en contacto con las autoridades locales, el servicio de residuos domésticos o su distribuidor para obtener más información acerca de cómo reciclar su producto.

Datos técnicos

Datos técnicos

215iL-TC	
Motor	
Tipo de motor	BLDC
Velocidad en el eje de salida, rpm	6800
Anchura de corte, mm	255
Peso	
Peso sin batería, kg	2,9
Emisiones de ruido ¹⁹	
Nivel de potencia acústica medido, dB(A)	90,8
Nivel de potencia acústica garantizado L _{WA} dB(A)	93
Niveles de ruido ²⁰	
Nivel de presión sonora equivalente en el oído del usuario, medido según IEC 62841-4-4, dB(A)	81,3
Niveles de vibración ²¹	
Niveles de vibración en el manillar, medidos conforme a IEC 62841-4-4, m/s ²	3,0/2,7
Equipado con cabezal de corte (original), parte delantera/trasera.	

Baterías homologadas para el producto

Batería	BLI10		BLI20		40-B70	40-B140
Tipo	Iones de litio		Iones de litio		Iones de litio	Iones de litio
Capacidad de la batería, Ah	Consulte la etiqueta que indica la potencia de la batería		Consulte la etiqueta que indica la potencia de la batería		Consulte la etiqueta que indica la potencia de la batería	Consulte la etiqueta que indica la potencia de la batería
Tensión nominal, V	36	36,5	36	36,5	36	36

¹⁹ Emisiones sonoras en el entorno medidas como potencia acústica (L_{WA}) según la directiva 2000/14/CE. La diferencia entre la potencias acústicas garantizada y medida es que la potencia acústica garantizada también incluye la dispersión en el resultado de la medición y las variaciones entre diferentes productos del mismo modelo, según la directiva 2000/14/CE.

²⁰ Los datos de nivel de presión sonora equivalente del producto que se han recogido tienen una dispersión estadística típica (desviación estándar) de 3 dB(A).

²¹ Los datos referidos del nivel de vibración poseen una dispersión estadística típica (desviación típica) de 1,5 m/s².

Batería	BLi10		BLi20		40-B70	40-B140
Peso, lb/kg	0,7	0,7	1,2	1,2	0,8	1,25

Cargadores de baterías homologados para el producto

Cargador de baterías	QC80	40-C80
Tensión de red, V	100-240	100-240
Frecuencia, Hz	50-60	50-60
Potencia, W	100	72
Tensión de salida, V CC/ Amperaje, A	36/2	43/1,6

Accesorios

Accesorios homologados

Accesorios homologados	Tipo	Protección del equipo de corte, referencia
Cabezal de corte	R25B (hilo de Ø 2 mm)	529 96 69-01
Cabezal de corte	Tri-Cut B (255 mm)	529 96 69-01

Declaración de conformidad

Declaración de conformidad CE

Nosotros, **Husqvarna AB**, SE-561 82 Huskvarna (Suecia), tel. +46-36-146500, declaramos bajo nuestra exclusiva responsabilidad que el producto:

Descripción	Recortadora de césped a batería
Marca	Husqvarna
Tipo/Modelo	215iL-TC
Identificación	Números de serie a partir del año 2025

Cumple las siguientes directivas y normas de la UE:

Directiva/Normativa	Descripción
2006/42/CE	"relativa a las máquinas"
2014/30/UE	"relativa a la compatibilidad electromagnética"
2000/14/CE	"relativa a las emisiones sonoras en el entorno"
2011/65/UE	"relativa a restricciones de utilización de determinadas sustancias peligrosas en aparatos eléctricos y electrónicos"

Y que se aplican las especificaciones técnicas o los estándares siguientes: EN 62841-1:2015+A11:2022, IEC 62841-4-4:2020, EN ISO 12100:2010, EN IEC 63000:2018, EN IEC 55014-1:2021; EN IEC 55014-2:2021.

Organismo notificado: 0036 TÜV SÜD Industrie Service GmbH, Westendstraße199,80686 München,Germany ha certificado la conformidad con la Directiva del Consejo 2000/14/CE, Procedimiento de evaluación de conformidad: Anexo VI.

Para obtener información respecto a las emisiones sonoras, consulte *Datos técnicos en la página 127*.

Husqvarna, 2025-01-10



Claes Losdal, director de I+D de Husqvarna AB

Responsable de la documentación técnica



Sisukord

Sissejuhatus.....	130	Transportimine, hoiulepanek ja utiliseerimine.....	142
Ohutus.....	131	Tehnilised andmed.....	142
Kokkupanek.....	137	Lisatarvikud.....	144
Töö.....	138	Vastavusdeklaratsioon.....	145
Hooldamine.....	140	Lisa.....	478
Veaotsing.....	141		

Sissejuhatus

Toote kirjeldus

Husqvarna 215iL-TC on elektrimootoriga akutoitel murutrimmer.

Me teeme pidevalt tööd, et tõsta teie ohutust ja tõhusust töötamisel. Lisateabe saamiseks võtke ühendust hooldusesindajaga.

Kasutusotstarve

Toodet kasutatakse mittemetalsete plasteradega. Ärge kasutage toodet muuks kui vaid muru, rohu ja muude pehmete taimede lõikamiseks.

Toote tutvustus

(Joon. 1)

1. Trimmipea Tri-Cut
2. Lõikeosa kaitse
3. Vars
4. Varre reguleerimine (teleskoop)
5. Silmuskäepide
6. Klahvistik
7. Klahvistiku hoiatusindikaator
8. Käivitus- ja seiskamisnupp
9. SavE-nupp
10. Toitelüliti
11. Toitelüliti lukustus
12. Toite sisselülituse ja hoiatuse indikaator
13. Pistik
14. Akulaadija 40-C80
15. Taimede kaitse
16. Aku hoiatusindikaator
17. Aku olek
18. Akunäidiku nupp
19. Aku vabastamise nupud
20. Aku
21. Kombitööriist
22. Vedamisketas
23. Kasutusjuhend

Märkus: Riiklikud õigusaktid võivad selle toote kasutamist piirata.

Kasutage toodet ainult koos tootja poolt heakskiidetud tarvikutega. Vt jaotist *Lisatarvikud lk 144*.

Sümbolid tootel

- (Joon. 2) HOIATUS! Toode võib olla ohtlik ja põhjustada kasutaja või kõrvaliste isikute ohtliku kehavigastuse või surma. Olge ettevaatlik ja kasutage toodet õigesti.
- (Joon. 3) Enne toote kasutamist lugege kasutusjuhend hoolikalt läbi ja veenduge, et kõik juhised oleksid täiesti arusaadavad.
- (Joon. 4) Pange pähe kaitseprillid ja kõrvaklapid.
- (Joon. 5) Ärge jätkke vihma kätte.
- (Joon. 6) Keskkonna mürareguleerimise märgis ELi (sealhulgas New South Walesi õigusaktid) ja Ühendkuningriigi õigusaktide järgi. Mürataseme andmed on toodud seadme sildil ja tehniliste andmete peatükis. Kehtib ainult siis, kui toode on varustatud trimmijõhviga.
- (Joon. 7) Olge tähelepanelik eemalepaiskuvate esemete suhtes.
- (Joon. 8) Enne hooldamist ühendage aku lahti.

(Joon. 9) Toode või toote pakend ei kuulu olmejätmete hulka. Toimetage see elektri- ja elektroonikajätmete vastuvõtupunkti.

(Joon. 11) See toode vastab kehtivatele Ühendkuningriigi eeskirjadele.

(Joon. 10) See seade vastab kehtivatele EL-i direktiividele.

(Joon. 12) Alalisvool.

(Joon. 16) Masina ja kõrvalseisjate vaheline kaugus peab olema vähemalt 15 m.

(Joon. 17) Ärge kasutage metallist löiketerasid.

aaaaannxxxxx

Seerianumbri leiata andmesildilt või lasertrükkiselt. **aaaa** on tootmisaasta ja **nn** on tootmisnädal.

Akul ja/või akulaadijal olevad sümbolid.

(Joon. 18) Toimetage seade elektri- ja elektroonikajätmete ringlusse-võtukeskusesse. (Kehtib vaid Euroopas)

(Joon. 13) Tõrkekindel trafo.

(Joon. 14) Kasutage ja hoiustage akulaadijat ainult siseruumides.

(Joon. 15) Topeltisolatsioon.

Toote kahjustused

Me ei vastuta meie tootele tekitatud kahjude eest, kui:

- toodet on valesti parandatud;
- toote parandamisel on kasutatud osi, mis ei ole tootja poolt valmistatud või heaks kiidetud;
- tootel on kasutatud tarvikut, mis ei ole tootja poolt valmistatud või heaks kiidetud;
- toodet ei ole parandatud volitatud hoolduskeskuses või volitatud isiku poolt.

Ohutus

Ohutuse määratlused

Mõistetega „hoiatus“, „ettevaatus“ ja „märkus“ juhitakse tähelepanu eriti olulistele kohtadele kasutusjuhendis.



HOIATUS: Tähistab kasutusjuhendi juhiste eiramise korral kasutaja või kõrvalseisjate kehavigastuse või surmaga lõppeva õnnetuse ohtu.



ETTEVAATUST: Tähistab kasutusjuhendi juhiste eiramise korral seadme, muude esemete või läheduses asuvate objektide kahjustamise ohtu.

Märkus: Tähistab antud olukorras vajalikku lisateavet.

Üldised ohutusjuhised elektritööriistadele



HOIATUS: Lugege läbi kõik masinaga kaasas olevad hoiatused, juhised, tehnilised andmed ning tutvuge joonistega. *Alltoodud*

juhiste eiramine võib põhjustada elektrilöögi, tulekahju ja/või ohtliku kehavigastuse.

Säilitage kõik ohutusjuhised ja instruksioonid tulevikus kasutamiseks.

Märkus: *Hoiatustes kasutatud mõiste „masin“ tähistab võrgutoitel (juhtmega) masinat või akutoitel (juhtmeta) masinat.*

Tööala ohutus

- **Hoidke tööala puhas ja tagage hea valgustus.** Korralagedus või valgustamata tööalad võivad põhjustada õnnetusi.
- **Ärge kasutage masinat plahvatusohtlikus keskkonnas, näiteks tuleohtlike vedelike, gaaside või tolmu läheduses.** Masinad tekitavad sädemeid, mis võivad tolmu või auru süüdata.
- **Hoidke lapsed ja kõrvalseisjad isikud masina kasutamise ajal eemal.** Tähelepanu kõrvalejuhitumise korral võite kaotada kontrolli seadme üle.

Elektriohutus

- **Masina pistikud peavad pistikupesaga ühilduma. Ärge muutke pistikut mis tahes viisil. Ärge kasutage maandusega masinate puhul adapterpistikuid.**

Muutmata pistikud ja sobivad pistikupesad vähendavad elektrilöögi ohtu.

- **Vältige kehalist kokkupuudet maandatud pindadega (nt torud, radiatorid, elektripliidid ja külmikud).** Teie keha maandamise korral on elektrilöögi oht suurem.
- **Ärge laske masinatel kokku puutuda vihma ega niiskusega.** Masina sisse tunginud vesi suurendab elektrilöögiohtu.
- **Kasutage kaablit õigesti. Ärge kunagi kasutage kaablit masina kandmiseks, tõmbamiseks või pistikupesast eemaldamiseks.** Kaitske kaablit kuumuse, õli, teravate servade ja liikuvate osade eest. Kahjustatud või sõlmes juhe suurendab elektrilöögi ohtu.
- **Masinaga õues töötamisel kasutage välistingimustes kasutamiseks sobivat pikendusjuhet.** Välistingimustes kasutamiseks sobiva pikendusjuhtme kasutamine vähendab elektrilöögiohtu.
- **Kui masina kasutamine niiskes keskkonnas on vältimatu, kasutage rikkevoolukaitsmega (RCD) toidet.** RCD kasutamine vähendab elektrilöögi ohtu.

Inimeste kaitsmine

- **Olge masina kasutamisel tähelepanelik, jälgige oma tegevust ja kasutage töös selget ning tervet mõistust.** Ärge kasutage masinat, kui olete väsinud või uimastite, alkoholi või ravimite mõju all. Hetkeline tähelepanematus masinate kasutamise ajal võib lõppeda raskete kehavigastustega.
- **Kasutage isikukaitselahendaid. Kasutage alati kaitseprille.** Asjakohastes tingimustes kaitsevahendite (nt tolmumask, mittelibisevad turvajalatsid, kiiver või kõrvaklapid) kasutamine vähendab kehavigastuste ohtu.
- **Vältige soovimatut käivitumist. Enne, kui hakkate masinat toitevoolu ja/või akuga ühendama, seda üles tõstma või kandma, veenduge, et masin oleks olekus OFF (VÄLJAS).** Kui kannate masinaid nii, et sõrm on toitelülilil, või ühendate need vooluvõrku, kui toitelüliti on sisse lülitatud, võib see lõppeda õnnetusega.
- **Eemaldage enne masina sisselülitamist kõik reguleerimis- ja nutrivõtmed.** Masina pöörleva osa külge jäetud nutrivõti või muu võti võib tekitada kehavigastusi.
- **Ärge küünitage liiga kaugele. Säilitage kogu aeg kindel jalgeaalune ja tasakaal.** See võimaldab teil elektritööriista ootamatutes olukordades paremini kontrollida.
- **Kandke nõuetekohaseid riideid. Ärge kandke lahtiseid rõivaid ega etheid.** Hoidke juuksed ja rõivad liikuvatest osadest eemal. Lahtised rõivad, etheid või pikad juuksed võivad liikuvate osade vahele kinni jääda.
- **Kui seadmel on ühendus tolmueemaldus- ja kogumisseadmete jaoks, veenduge, et need on ühendatud ja neid kasutatakse õigesti.** Tolmukogumise kasutamise abil saab vähendada tolmu seotud ohte.

- **Ärge laske endal masinate sagedase kasutamisega omandatud teadmistele tuginedes muutuda liiga enesekindlaks, eirates nii masina ohutuspõhimõtteid.** Hooletu tegutsemine võib sekundi mürdosa vältel põhjustada raskeid vigastusi.

Masina kasutamine ja hooldus

- **Ärge kasutage masinaga jõudu. Kasutage rakenduse jaoks õiget masinat.** Sobiva elektritööriistaga edeneb teie töö näidatud võimsusvahemikus paremini ja ohutult.
- **Ärge kasutage masinat, kui see lülitati vajutamisel sisse ega välja ei lülitu.** Mis tahes masin, mida pole võimalik lülitil abil juhtida, on ohtlik ja tuleb viivitamatult parandada.
- **Enne masina reguleerimist, tarvikute vahetamist või hoialepanekut eemaldage pistik toiteallikast ja/või eemaldage masina küljest aku, kui see on eemaldatav.** See ohutusmeede takistab elektritööriista kogemata käivitumist.
- **Hoidke masinat, mida te parasjagu ei kasuta, lastele kättesaamatus kohas ning ärge lubage masinat kasutada isikutel, kes ei oska seda kasutada või pole neid juhiseid läbi lugenud.** Masinad on väljaõppeta kasutajate käes ohtlikud.
- **Hooldage masinaid ja lisatarvikuid. Kontrollige liikuvate osade joondust ja kinnitusi, osade purunemist või muid masina käsitsemist mõjutada võivaid tegureid.** Kahjustuse korral laske masinat enne kasutamist remondida. Paljude õnnetuste põhjuseks on halvasti hooldatud elektritööriistad.
- **Hoidke lõikevahendid teravad ja puhtad.** Nõuetekohaselt hooldatud teravate lõikeservadega lõikemasinate kinnikiilumise tõenäosus on väiksem ja neid on hõlpsam juhtida.
- **Järgige masina, tarvikute, osade jm kasutamisel neid juhiseid ning arvestage töötõingimuste ja -ülesandega.** Masina käsitsemine muuks kui ettenähtud otstarbeks võib põhjustada ohtliku olukorra.
- **Hoidke käepidemed ja haardepinnad kuivad, puhtad ning õli- ja määrdevabad.** Libedad käepidemed ning haardepinnad ei võimalda ettenägematutes olukordades masina turvalist käsitsemist ega kontrollimist.

Akuga seadmete kasutamine ja hooldamine

- **Kasutage laadimiseks ainult tootja soovitatud laadijat.** Uhte tüüpi aku laadimiseks sobiv laadija võib koos teist tüüpi akuga kasutades tuleohtu põhjustada.
- **Kasutage masinatega vaid spetsiaalselt neile loodud akusid.** Teisi akukogumeid kasutades riskite vigastuste ja tulekahjuga.
- **Kui aku pole hetkel kasutuses, hoidke seda eemal teistest metall-esemetest (nt kirjaklambrid, mündid, võtmed, naelad, kruvid vms väiksed metall-esemed), mis võiksid akuklemme omavahel ühendada.** Akuklemmide lühistamine võib põhjustada põletushaavu või tulekahju.

- **Väärkasutamise korral võib akust vedelikku lekkida; vältige kokkupuudet.** Kokkupuute korral loputage kannatada saanud kohta veega. Kui vedelik satub silma, loputage silma veega ja pöörduge arsti poole. Akust lekkinud vedelik võib põhjustada ärritust või põletushaavu.
- **Ärge kasutage kahjustatud ega muudetud akut ega seadet.** Kahjustatud või muudetud akud võivad käituda ettearvamatult ning põhjustada tule-, plahvatus- või vigastusohu.
- **Ärge jätke akut ega seadet tule ega liiga kõrge temperatuuri kätte.** Kokkupuude üle 130 °C temperatuuriga võib põhjustada plahvatus.
- **Järgige kõiki laadimisjuhiseid ja ärge laadige akut ega seadet kunagi väljaspool kasutusjuhendis täpsustatud temperatuurivahemikku.** Aku laadimine valesti või väljaspool selleks ettenähtud temperatuurivahemikku võib akut kahjustada ja suurendada tuleohtu.

Teenindus

- **Laske oma elektritööriista parandada ainult kvalifitseeritud spetsialistidel ja ainult originaalvaruosadega.** Sellega on tagatud, et säiliks elektritööriista ohutus.
- **Ärge kunagi hooldage kahjustatud akusid.** Akusid võivad hooldada üksnes tootja või volitatud teenusepakkujad.

Murutrimmeri ohutusalsed hoiatused

- **Ärge kasutage masinat halva ilmaga (eelkõige äikesetormi ajal).** See vähendab pikselöögi ohtu.
- **Kontrollige põhjalikult, kas masina kasutusalsas on elusloodust.** Masin võib töötades elusloodust kahjustada.
- **Kontrollige hoolikalt masina kasutusala ning eemaldage seal kõik kivid, oksad, traadid, kondid ja muud võõrkehad.** Õhku paiskuvad esemed võivad tekitada kehavigastusi.
- **Enne masina kasutamist kontrollige alati visuaalselt, et lõikur või lõiketera ja nende koost ei oleks kahjustatud.** Kahjustatud osad suurendavad vigastuste ohtu.
- **Järgige tarvikute vahetamise juhiseid.** Valesti pingutatud lõiketera kinnitusmutrid või polidid võivad lõiketera kahjustada ning lõiketera võib toote küljest lahti tulla.
- **Kandke silmade, kõrvade, pea ja käte kaitsevarustust.** Nõuetele vastavad kaitsevahendid vähendavad võimalikke kehavigastusi, mida võivad põhjustada lenduv praht või tahtmatu kontakt lõiketerade või trimmijõhvidega.
- **Kandke masina kasutamisel alati libisemiskindlaid kaitsejalatseid.** Ärge kasutage seadet paljajalu või lahtiste sandaalidega. Kaitsejalatsite kandmine vähendab liukvate lõiketerade või jõhvidega kokkupuutel jalalabade vigastusohu.
- **Kandke masinaga töötamisel alati pikki pükse.** Katmata naha korral suureneb paiskuvatest esemetest tingitud vigastusohu.
- **Hoidke kõrvalised isikud masinaga töötamise ajal eemal.** Paiskuv praht võib tekitada raskeid kehavigastusi.
- **Kasutage seadme kasutamisel alati kaht kätt.** Masinast kahe käega kinni hoidmisega väldite masina üle kontrolli kaotamist.
- **Hoidke masinat ainult isoleeritud haardepindadest, kuna lõikejõhv või lõiketera võib kokku puutuda peidetud juhtmetega.** Kui lõikejõhv või lõiketerad puutuvad pinge all olevate kaablitega, võivad masina metallosad seejärel samuti pinge alla sattuda ning kasutajale elektrilöögi anda.
- **Hoidke alati jalad kindlalt maas õiges asendis ja kasutage masinat ainult maapinnal seistes.** Libedatel ja ebakindlatel pindadel võite kaotada tasakaalu või kontrolli masina üle.
- **Ärge kasutage masinat liiga järskudel kallakutel.** See vähendab kontrolli kaotamise ning libisemis- ja kukkumisohtu, mis võib lõppeda kehavigastusega.
- **Kallaku töötades tagage alati kindel asend, töötage masinaga risti üle kallaku, mitte otse üles või alla, ning olge suuna muutmisel äärmiselt ettevaatlik.** See vähendab kontrolli kaotamise ning libisemis- ja kukkumisohtu, mis võib lõppeda kehavigastusega.
- **Masina töötamise ajal hoidke kõik kehaosad lõikurist, jõhvist või lõiketerast eemal.** Enne masina käivitamist veenduge, et lõikur, jõhv või lõiketera ei puutuks millegagi kokku. Hetkeline tähelepanematus masina kasutamise ajal võib põhjustada teile või teistele vigastusi.
- **Ärge kasutage masinat võõkohast kõrgemal.** See aitab vältida tahtmatut kokkupuudet lõikuri või lõiketeraga ja tagab teile ootamatutes olukordades masina üle parema kontrolli.
- **Kui lõikate pinge all olevat pöösast või võrseid, olge alati valmis selle võimalikuks tagasipaiskeks.** Kui puukiududesse talletunud pinge vabaneb, võib pöösas või võrse kasutaja poole tagasi paiskuda ja/või masina kontrolli all hoidmise võimatuks muuta.
- **Olge pöösaid ja võrseid lõigates äärmiselt ettevaatlik.** Peened oksad võivad lõiketera vahele kinni jääda ja seejärel piitsana teie poole viskuda või panna teid tasakaalu kaotama.
- **Säilitage kontroll masina üle ning ärge puudutage lõikureid, jõhvi või lõiketerasid ega muid ohtlikke liikuvaid osi, kui need veel liiguvad.** See vähendab liukvate osade põhjustatud vigastusohu.
- **Kandke masinat nii, et masin on välja lülitatud ja kehat eemal.** Masina õige käsitsemine vähendab trimmeri liikuva lõikuri, jõhvi või lõiketeraga juhusliku kokkupuute tõenäosust.
- **Kasutage ainult tootja määratud asenduslõikureid, -jõhve, -lõikepäid ja -lõiketerasid.** Valed varuosad võivad suurendada kontrolli kaotamise, purunemise ja vigastuse riski.

- Kui eemaldate kinnikiilunud materjali või hooldate masinat, veenduge, et lüliti oleks välja lülitatud ja aku oleks eemaldatud. Masina ootamatu käivitumine kinnikiilunud materjali eemaldamisel või seadme hooldamisel võib põhjustada raskeid kehavigastusi.

Käivitamiseelne kontroll

- Eemaldage alati aku, et seade juhuslikult ei käivituks. Enne seadme hooldamist tuleb aku alati eemaldada.
- Enne seadme kasutamist ning pärast löögi saamist tuleb kontrollida kulumis- ja kahjustusjärgi ning seadet vajadusel remontida.
- Vaadake üle tööpiirkond. Kõrvaldage kõik lahtised esemed, nagu kivid, klaasikiilud, naelad, traadid, nõör ja muu taoline, mis võivad välja paiskuda või lõikurisse või lõikuri piirdesse kinni jääda.
- Kontrollige, ega mootor pole määrdunud või mõranenud. Eemaldage mootorist harja abil muru ja lehed. Vajaduse korral tuleb kanda kindaid.
- Kontrollige, et trimmeripea oleks täielikult trimmeri külge kinnitatud.
- Kontrollige, et seade oleks töökorras. Kontrollige, et kõik mutrid ja kruvid oleksid korralikult pingutatud.
- Kontrollige, et trimmipea ega lõikeosa kaitsekate ei oleks kahjustatud ega mõranenud. Kui on näha pragusid või vigastusi, vahetage trimmipea ja lõikeosa kaitsekate välja. Kasutage ettenähtud lõikeosa kaitsekate. Vt peatükki Tehnilised andmed.
- Seadme kasutaja peab veenduma, et inimesed ja loomad oleksid seadmega töötamise ajal vähemalt 15 meetri kaugusel. Kui samas kohas töötab mitu kasutajat, peab nende ohutusvahemaa olema vähemalt 15 meetrit.
- Enne kasutamist tehke seadmele üldine ülevaatus. Järgige hooldusskeemi.
- Kasutamist võivad piirata riiklikud või kohalikud seadused. Järgige kõiki määrusi.

Tegutsege alati tervet mõistust arvestades.

Kõiki olukordi, mis võivad seadme käitamisel ette tulla, ei ole võimalik kirjeldada. Olge alati ettevaatlik ja kasutage tervet mõistust. Vältige olukordi, millega te ei pruugi toime tulla. Kui te pärast selle juhendi läbilugemist tunnete veel ebakindlust, küsige enne jätkamist nõu asjatundjalt.



HOIATUS: Ärge laske lapsi seadme lähedale ega seadet kasutada! Et seadet on lihtne käivitada, võivad lapsed selle käivitada, kui neid piisavalt ei jälgita. See tähendab raskete vigastuste tekke ohtu. Sellepärast tuleb seadmelt eemaldada aku, kui seade jääb valveta.

Üldised ohutusjuhised



HOIATUS: Enne toote kasutamist lugege läbi järgmised hoiatused.

- Eemaldage alati aku, et seade juhuslikult ei käivituks.
- Toode on ohtlik, kui kasutate seda valesti või ettevaatamatult. Toode võib tekitada kasutajale või teistele raske või surmava kehavigastuse.
- Ärge kasutage seadet, kui selle algeid tehnilisi näitajaid on muudetud. Ärge muutke seadme ühtki osa ilma tootja heakskiiduta. Kasutage ainult tootja heaks kiidetud osi. Vale hooldamise tagajärjeks võib olla kehavigastus või surm.
- Kontrollige seadet enne kasutamist. Vt jaotist *Toote ohutusseadised lk 135* ja *Toote tutvustus lk 130*. Ärge kasutage toodet, mis on kahjustatud või mis ei tööta korralikult. Järgige seadet kontrollides ja hooldades seadme kasutusjuhendi nõudeid.
- Lapsi tuleb jälgida, et nad tootega ei mängiks. Ärge kunagi lubage seadet ega akut kasutada või hooldada lastel ega teistel isikutel, kes pole seadme ja/või aku kasutamise koolitust saanud. Kohalike õigusaktidega võidakse piirata kasutaja vanust.
- Hoidke seadet lukustatud kohas, kus sellele ei pääse juurde lapsed ega volitamata isikud.
- Hoidke seadet lastele kättesaamatus kohas.
- Seadme algset konstruktsiooni ei tohi muuta ilma tootja loata. Kasutage alati originaalseid lisatarvikuid. Lubamatud muudatused ja varuosad võivad põhjustada kasutaja ja teiste isikute raskeid või isegi eluohtlikke kehavigastusi.
- Esitatud vibratsiooni koguväärtust on mõõdetud vastavalt standardsele katsemeetodile ning seda võib kasutada vaid tööriistade võrdlemiseks.
- Esitatud vibratsiooni koguväärtust võib kasutada ka tervisemõjude esialgsel hindamisel.
- Sõltuvalt tööriista kasutusviisist võib mootortööriista kasutamisel tekkiv vibratsioon seadme dokumentatsioonis esitatud koguväärtusest erineda. Kasutajad peaksid välja selgitama isikukaitsemeetmed, mis põhinevad eeldatavatel tegelikel töötingimustel (arvestada tuleb töösükli kõiki etappe – lisaks täisvõimsusega töötamisele loeb ka see aeg, mil tööriist on välja lülitatud, ja siis, kui see töötab tühikäigul).

Märkus: Kasutamist võivad piirata riiklikud või kohalikud määrused. Järgige kõiki määrusi.

Isikukaitsevahendid



HOIATUS: Enne toote kasutamist loe läbi järgnevad hoiatused.

- Seadmega töötamisel tuleb kasutada ettenähtud isikukaitsevarustust. Isikukaitsevarustus ei välista täielikult kehavigastuste ohtu, kuid vähendab õnnetusjuhtumi korral kehavigastuse raskusastet. Õige varustuse valimiseks pöörduge edasimüüja poole.
- Kanna heakskiidetud kõrvaklappe.

(Joon. 19)

- Kanna heakskiidetud kaitseprille. Näokaitsme kasutamisel tuleb lisaks kasutada heakskiidetud kaitseprille. Heakskiidetud kaitseprillide all mõeldakse selliseid prille, mis vastavad standardile ANSI Z87.1 USA-s või EN 166 Euroopa Liidu riikides.

(Joon. 20)

- Vajaduse korral kandke kindaid, näiteks löikeosa kinnitades, kontrollides või puhastades.

(Joon. 21)

- Kandke terasest varbakatete ja libisemist takistavate taldadega kaitseasaapid.

(Joon. 22)

- Kandke vastupidavast materjalist riideid. Kandke alati pikki raskeid pükse ja pikki varrukaid. Hoiduge liiga avaratest rõivastest, mis võivad okstesse takerduda. Ärge kandke ehteid, lühikesi pükse ega sandaale. Ärge kasutage seadet paljajalu. Kinnitage juuksed ohutult õlgadest kõrgemale.
- Hoia esmaabikomplekti kättesaadavas kohas.

(Joon. 23)

Toote ohutusseadised



HOIATUS: Enne toote kasutamist lugege läbi järgmised hoiatused.

Selles alalõigus kirjeldatakse masina turvavarustust, selle otstarvet ning kuidas läbi viia kontrollid ja hooldust, tagamaks masina nõuetekohane töö. Vaadake pealkirja all olevaid juhiseid, *Sissejuhatus lk 130* et teada saada, kus need osad teie tootel asuvad.

Kui seadet ei hooldata õigesti ja korrapäraselt ning seadet ei paranda asjatundja, võib seadme tööiga lüheneda ja tekkida õnnetuste oht. Kui vajate täiendavat infot, pöörduge lähimasse teenindusse.



HOIATUS: Ärge kunagi kasutage toodet, mille turvavarustus on kahjustatud. Ohutusvarustust tuleb käesolevas lõigus toodud eeskirjade kohaselt hooldada ja kontrollida. Kui seade ei vasta ohutusnõuetele, laske see parandada hooldustöökojas.



ETTEVAATUST: Seadme hooldus ja parandamine nõuab eraldi väljaõpet. Eriti oluline on see seadme ohutusvarustuse puhul. Kui seade ei vasta allpool toodud nõuetele, viige see hoolduspunkti. Meie toodetele on tagatud professionaalne hooldus ja parandus. Kui seadme edasimüüja ei tegele hooldusega, paluge tal juhutada teid lähimasse hoolduspunkti.

Klahvistiku kontrollimine

1. Vajutage käivitus- ja seiskamisnuppu (A) ja hoidke seda allavajutatuna. (Joon. 24)
 - a) Seade on sisse lülitatud siis, kui LED-tuli (B) süttib.
 - b) Seade on välja lülitatud siis, kui LED-tuli (B) kustub.
2. Hoiatusindikaatori (C) süttimise või vilkumise korral vt *Klahvistik lk 141*.

Toitelüliti lukustuse kontrollimine

Toitelüliti lukustusfunktsioon väldib seadme juhuslikku käivitamist. Kui lükkate toitelüliti luku (A) alla, vabaneb toitelüliti (B). Käepidemest lahti laskmise korral naasevad nii toitelüliti kui ka toitelüliti lukustus algasendisse. (Joon. 25)

1. Jälgige, et toitelüliti oleks lüliti lukustuse algasendis lukustatud. (Joon. 26)
2. Vajutage toitelüliti ja veenduge, et vabastamise korral liiguks see tagasi algasendisse. (Joon. 27)
3. Veenduge, et toitelüliti ja toitelüliti lukustus liiguksid takistamatult ning tagastusvedru töötaks õigesti. (Joon. 28)
4. Käivitage seade. Vt jaotist *Toote käivitamine lk 139*.
5. Rakendage täispöörded.
6. Vabastage toitelüliti ja veenduge, et löikeosa peatuks täielikult.

Löikeosa kaitsme kontrollimine



HOIATUS: Ärge kasutage löikeosa ilma heakskiidetud ja õigesti kinnitatud löikeosa kaitsmeta. Kasutage alati löikeosa kaitset, mis on ette nähtud just selle löikeosa jaoks, mida te kasutate, vt *Tehnilised andmed lk 142*. Vale või vigane löikeosa kaitse võib põhjustada raskeid kehavigastusi.

Löikeosa kaitse takistab esemete paiskumist seadmekasutaja suunas. Samuti aitab see ära hoida kehavigastusi, mida võib tekitada löikeosa puudutamine.

1. Seisake mootor.
2. Otsige kahjustusi, näiteks pragusid.

3. Kui lõikeosa kaitse on kahjustunud, vahetage see välja.

Lõikekorpus

Valige õige lõikeosa ja hooldage lõikeosa selleks, et:

- tagada seadme maksimaalne jõudlus;
- pikendada lõikeosa tööiga.



HOIATUS: Lõikeosa tohib kasutada ainult koos selleks ette nähtud kaitsekatega! Vt jaotist *Heakskiidetud tarvikud lk 144*. Lõikeosa kasutusjuhendist leiate teavet trimmijõhvi ja plastterade õige paigaldamise kohta.



HOIATUS: Kahjustatud lõikeosa võib suurendada õnnetuste ohtu.



HOIATUS: Enne kui hakkate lõikeosa kallal töötama, lülitage alati toide välja. Pärast toitepäästiku vabastamist pöörleb lõikeosa edasi. Veenduge, et lõikeosa oleks täielikult seiskunud, ja ühendage aku toote küljest lahti, enne kui sellega tööd alustate.

Lõikeosa



HOIATUS: Kahjuliku vibratsiooni ärahoidmiseks veenduge alati, et trimmijõhvi oleks keritud trumlile ühtlaselt ja tugevalt.

(Joon. 29)

- Kasutage ainult soovitatud lõikeosa.
- Tähtis on jõhvi pikkus. Sama läbimõõduga pikem jõhv nõuab võimsamat mootorit kui lühike jõhv.
- Kontrollige, et lõikeosa kaitse peal asetsev lõiketera oleks terve. Nuga löikab trimmijõhvi, et selle pikkus oleks õige.
- Trimmijõhvi tööea pikendamiseks leotage seda enne kasutamist paar päeva vees.

Aku ohutus



HOIATUS: Enne toote kasutamist lugege läbi järgmised hoiatused.

- Kasutage ainult BLi seeria ja 40-B seeria akusid. Üksikasjade saamiseks vt jaotist *Tehnilised andmed lk 142*. Aku on kodeeritud.
- Kasutage Husqvarna toodete voluallikana üksnes taasi laetavaid BLi seeria ja 40-B seeria akusid. Kehavigastuse vältimiseks ärge kasutage akut muude seadmete toiteallikana.

- Elektrilöögioht. Ärge ühendage akuklemme võtmete, müntide, kruvide või muude metallesemetega. See võib tekitada akus lühise.
- Ärge kasutage mittelaetavaid akusid.
- Ärge asetage esemeid aku õhuavade sisse ja ette.
- Vältige aku kokkupuudet otsese päikesevalguse, kuumuse ja lahtise leegiga. Aku võib põhjustada põletusi ja/või keemilisi põletusi.
- Vältige aku kokkupuudet vihma ja märja keskkonnaga.
- Vältige aku kokkupuudet mikrolainete ja kõrgsurvega.
- Ärge demonteerige ega lõhkuge akut.
- Aku lekke korral vältige vedeliku kokkupuudet keha ja silmadega. Kui vedelik satub kehale, puhastage kokkupuutunud ala rohke veega ja seebiga ning seejärel pöörduge arsti poole. Kui vedelik satub silma, ärge hõõruge silmi, vaid loputage neid veega vähemalt 15 minutit ja pöörduge arsti poole.
- Kasutage akut keskkonnas, mille temperatuur jääb vahemikku -10...40 °C.
- Ärge puhastage akut või akulaadijat veega. Vt jaotist *Seadme, aku ja akulaadija puhastamine lk 140*.
- Ärge kasutage defektset või kahjustatud akut.
- Hoiustage akusid eemal metallesemetest (nt naelad, kruvid, ehted).
- Hoidke aku eemal lastest.

Akulaadija ohutus



HOIATUS: Enne toote kasutamist lugege läbi järgmised hoiatused.

- Ohutuseeskirjade eiramine võib kaasa tuua elektrilöögi või lühise.
- Kasutage ainult seadme tarnekomplekti kuuluvat akulaadijat. BLi Seeria ja 40-B seeria asendusakude laadimiseks kasutage ainult QC80 seeria ja 40-C80 laadijaid.
- Ärge püüdke akulaadijat lahti monteerida.
- Ärge kunagi kasutage defektset või kahjustunud akulaadijat.
- Ärge tõstke akulaadijat toitejuhtmetest hoides. Akulaadija võrgupistikupesast lahutamiseks tõmmake pistikut. Ärge tõmmake toitejuhet.
- Vältige juhtmete ja pikendusjuhtmete kokkupuudet vee, õli ja teravate servadega. Jälgige, et juhe ei jääks usse, värvavate jms vahele.
- Ärge kasutage akulaadijat tuleohtlike või korrosiooni tekitavate materjalide läheduses. Veenduge, et akulaadija poleks kinni kaetud. Suitsu või tule tekke korral eemaldage pistik akulaadijast.
- Laadige akut ainult hea õhuvahetusega siseruumis ja päikesevalguse eest kaitstuna. Ärge laadige akut õues. Ärge laadige akut märjas keskkonnas.

- Kasutage akulaadijat keskkonnas, mille temperatuur jääb vahemikku 5...40 °C. Kasutage laadijat hästi ventileeritavas, kuivas ja tolmuvabas keskkonnas.
- Ärge asetage esemeid akulaadija jahutusavade sisse ja ette.
- Ärge kunagi ühendage akulaadija klemme metallesemete külge, vastasel korral võib akulaadija lühistuda.
- Kasutage heakskiidetud ja kahjustamata pistikupesasid. Veenduge, et akulaadija juhe poleks kahjustatud. Pikendusjuhtme kasutamisel veenduge, et pikendusjuhe poleks kahjustatud.
- Ärge laadige akulaadijas mittelaetavaid akusid.
- Seadme kasutaja tohib teha üksnes käesolevas kasutusjuhendis kirjeldatud hooldustöid. Mahukamate hooldustööde tegemiseks pöörduge hooldusesindusse.
- Ärge puhastage akut või akulaadijat veega. Tugevatoimeline pesuvahend võib kahjustada plastdetaili.
- Kui hooldustöid ei tehta, siis toote kasutamisega lüheneb ja õnnetuste oht kasvab.
- Kõigi hooldus- ja parandustööde tegemiseks (eriti seadme ohutusseadiste juures) on vajalik eriväljaõpe. Kui pärast hooldustööde tegemist ei läbi seade kõiki käesolevas kasutusjuhendis kirjeldatud kontrolltoiminguid, siis pöörduge hooldusesinduse poole. Garanteerime, et hooldusesinduses tehakse teie tootele professionaalsel tasemel remondi- ja hooldustööd.
- Kasutage ainult originaalvaruosi.

Ohutusjuhised hooldamisel



HOIATUS: Enne seadme hooldustööde tegemist lugege läbi järgnevad hoiatused.

- Eemaldage aku enne hooldustööde või muude kontrolltoimingute või seadme kokkupanemise alustamist.

Kokkupanek

Sissejuhatus



HOIATUS: Enne toote kokkupanekut lugege ohutuspeatükki ja tehke selles olev teave endale arusaadavaks.

Lõikeosa kaitse paigaldamine

1. Seadke lõikeosa kaitse vastu mootori korpust. (Joon. 30)
2. Kontrollige lukustuskonkse. (Joon. 31)
3. Pingutage polti. Kasutage lehtsilmsvõtit. (Joon. 32)
4. Pingutage polti.

Lõikeosa vahetamine

1. Võlli lukustamiseks sisestage kombivõti avasse. (Joon. 33)
2. Pöörake lõikeosa ja lükake ettevaatlikult kombivõtit, kuni väljuv võll on blokeeritud.
3. Lõikeosa eemaldamiseks pöörake seda päripäeva. Enne lõikeosa paigaldamist veenduge, et veoketas on paigas. (Joon. 34)
4. Paigaldage uus lõikeosa vastupidises järjekorras. (Joon. 35) (Joon. 36)

Märkus: Enne lõikeosa paigaldamist veenduge, et veoketas on õigesti paigaldatud.

Taimekaitse paigaldamine

1. Paigaldage taimekaitse mootori korpuses olevatesse aukudesse. (Joon. 37)
2. Veenduge, et taimeid kaitse saab vabalt ette ja taha liikuda. (Joon. 38)

Silmuskäepideme paigaldamine

1. Paigaldage kruvi silmuskäepidemele. (Joon. 39)
2. Paigaldage silmuskäepide võllil olevasse kinnituskohta.
3. Pingutage kruvisid.
4. Seadke silmuskäepide õigesse tööasendisse. Vt jaotist *Silmuskäepideme ja teleskoopvõlli reguleerimine lk 139*.

Akulaadija 40-C80 seinale paigaldamine



ETTEVAATUST: Ärge kasutage akulaadija seinale paigaldamiseks elektrilist kruvikeerajat. Elektriline kruvikeeraja võib akulaadijat kahjustada.

1. Paigaldage akulaadija kahe kruviga (A) seinale. Vajadusel kasutage seinakorke (B). (Joon. 40)
2. Paigaldage kaks kruviauguga korki (C).
3. Ühendage toitejuhe (D) akulaadija ja vooluvõrguga.

Töö

Sissejuhatus



HOIATUS: Enne toote kasutamist lugege läbi ohutuspeatükk ja veenduge, et oleksite kõigest aru saanud.

Enne toote kasutamist

- Vaadake tööpiirkond üle ja veenduge, et pinnareljeef on teile tuttav. Kontrollige maapinna kallet ja seda, kas leidub takistusi, nt kive, oksa ja kraave.
- Vaadake seade üldiselt üle.
- Teostage selles juhendis toodud ohutuskontrollid ja hooldus.
- Kontrollige, ega mootor pole määrdunud või mõranenud. Pühkige harja abil mootorilt ära rohulibled ja lehed. Vajadusel kandke kindaid.
- Kontrollige, et trimmipeal ega lõikeosakaitsmel ei oleks kahjustusi ega mõrasid. Kui trimmeripea või lõikeosa kaitse on saanud löögi või kui nendes on mõrasid, vahetage need välja.
- Veenduge, et kõik mutrid ja kruvid oleksid pingutatud.
- Enne toote käivitamist veenduge, et kõik katted, kaitsed, käepidemed ja lõikeosad oleksid õigesti kinnitatud ega oleks kahjustatud.

LED-märgutuli	Aku olek (laetustase)	
	BL110, BLI20	40-B70, 40-B140
Põleb 4 LED-tuld	–	Aku on 76–100% laetud.
Põleb 3 LED-tuld	Aku on 76–100% laetud.	Aku on 51–75% laetud.
Põleb 2 LED-tuld	Aku on 51–75% laetud.	Aku on 26–50% laetud.
Põleb 1 LED-märgutuli	Aku on 26–50% laetud.	Aku on 6–25% laetud.
1 LED-märgutuli vilgub	Aku on 0–25% laetud.	Aku on 0–5% laetud.

Aku laadimine

Enne aku esimest kasutuskorda laadige aku täis. Uue aku laetustase on ainult 30%.



ETTEVAATUST: Ühendage akulaadija tüübisildil näidatud pinge ja sagedusega pistikupesasse.

Akut ei laeta, kui aku temperatuur on üle 50 °C.

1. Ühendage toitepistik akulaadijaga.
2. Ühendage akulaadija maandatud pistikupesasse. Laadimise LED-tuli vilgub ühe korra. (Joon. 42)

Aku



HOIATUS: Enne aku kasutamist lugege läbi ohutuspeatükk ja veenduge, et kogu teave on arusaadav. Lugege läbi aku ja akulaadija kasutusjuhend ning veenduge, et kogu teave on arusaadav.

Hoidke akut ja akulaadijat õigel õhutemperatuuril.

	Õhutemperatuur
Tootega töötamine	-5 °C...40 °C
Aku laadimine	5 °C...40 °C

Aku olek

Ekraanil kuvatakse teave aku laetustaseme ja mistahes akuga seotud probleemide kohta.

(Joon. 41)

3. Ühendage aku akulaadijaga. Süttib laadimist tähistav LED-tuli. Ärge laadige akut kauem kui 24 tundi. (Joon. 43)
4. Vajutage akunäidiku nuppu. Kui kõik LED-märgutuled süttivad, on aku täis laetud.
5. Akulaadija eemaldamiseks vooluvõrgust tõmmake toitepistik pistikupesast välja. Ärge tõmmake toitejuhet.
6. Eemaldage aku laadijast.

Aku ühendamine seadmega.



HOIATUS: Kasutage tootes ainult Husqvarna originaalakut.

1. Lae aku täielikult täis.
2. Lükake aku seadme akupessa. Aku on kohale lukustunud, kui kuulete klõpsatust. (Joon. 44)



ETTEVAATUST: Kui aku ei liigu sujuvalt akupessa, siis on aku asend vale. See võib toodet kahjustada.

Toote käivitamine

1. Lülitage käivitus- ja seiskamisnuppu seni, kuni süttib roheline LED-tuli. (Joon. 45)
2. Lükake toitelüliti ja toitelüliti lukku. Lõikeseade hakkab pöörlema.

Silmuskäepideme ja teleskoopvõlli reguleerimine

1. Vabastage lukustuskäepide ja seadke silmuskäepide õigesse tööasendisse. (Joon. 46)
2. Sulgege lukustuskäepide.
3. Vabastage võlli hoob. (Joon. 47)
4. Seadistage võllil vajalik pikkus. Veenduge, et näete võllil olevat kolmnurka. (Joon. 48)
5. Sulgege hoob ja keerake kruvid kinni.

Märkus: Ärge kinnitage silmuskäepidete võllil olevatele hoiatussiltidele.

SavE funktsiooni kasutamine

Seade on varustatud energiasäästufunktsiooniga SavE.

Märkus: Funktsioon SavE ei vähenda seadme lõikamisvõimekust.

1. Vajutage klahvistikul SavE nuppu.
2. Veenduge, et roheline LED-tuli süttiks.
3. Funktsiooni peatamiseks vajutage uuesti SavE nuppu. Roheline LED-tuli kustub. (Joon. 49)

Automaatse seiskamise funktsioon

Seadmel on seiskamisfunktsioon, mis peatab seadme, kui seda ei kasutata. Käivitamise/seiskamise märgutule roheline LED-tuli kustub ja seade seiskub 180 sekundi pärast.

Seadme kasutamine

Rohu lõikamine

1. Rohu lõikamisel jälgige, et plastterad või trimmijõhv oleks maapinnaga paralleelsed. (Joon. 50)
2. Ärge vajutage Tri-Cuti või trimmipead vastu maad. See võib seadet kahjustada.

Märkus: Madala, 0 °C lähedase õhutemperatuuri mõjul võib lõiketera või trimmijõhv puruneda.

3. Liigutage muru lõigates toodet küljelt-küljele. (Joon. 51)

Märkus: Ärge kasutage toodet kahjustatud lõikeosaga. Kahjustatud lõikeosa võib toote tasakaalust välja viia ja seda kahjustada.

Muru eemalpeühkimine

Pöörlevate plastterade või trimmijõhvi ümber tekkiva õhuvoolu abil saab lõigatud rohuliblesid alalt eemaldada.

1. Hoidke trimmipead, plastterasid või trimmijõhvi maapinna kohal maaga paralleelselt.
2. Rakendage täispoorded.
3. Liigutage lõikeosa küljelt küljele ja pühkige rohuliblesid ära.



HOIATUS: Uute plastterade või trimmijõhvi paigaldamisel puhastage lõikeosa katet, et hoida tasakaal paigas ja vältida käepidemete vibreerimist. Kontrollige ja vajaduse korral puhastage ka lõikeosa muid osi.

Trimmine objektide läheduses

1. Tõmmake taimekaitse alla. (Joon. 52)
2. Kasutage taimekaitset, et vältida teiste objektide kahjustamist. (Joon. 53)

Seadme seiskamine

1. Vabastage toitelüliti ja toitelüliti lukk.
2. Vajutage pikalt käivitus- ja seiskamisnuppu, kuni roheline LED-tuli kustub.
3. Vajutage aku vabastusnuppe ja eemaldage aku seadmest. (Joon. 54)

Plastterade või trimmijõhvi vahetamine

Vt selle kasutusjuhendi viimaseid lehekülgi.

Hooldamine

Sissejuhatus



HOIATUS: Enne seadme hooldamist lugege läbi ohutuspeatükk ja veenduge, et see oleks teile täielikult arusaadav.

Allpool on esitatud loend seadme hooldustöödest, mida peab tegema seadme kasutaja. Lisateavet vt aadressilt *Toote tutvustus lk 130*.

Hooldusgraafik



HOIATUS: Enne hooldustööde alustamist eemaldage aku.

Hooldus	Iga päev	Iga nädal	Iga kuu
Puhastage toote välised osad kuiva lapiga. Ärge kasutage vett.	X		
Veenduge, et käivitus- ja seiskamisnupp töötavad korralikult ja poleks kahjustatud.	X		
Veenduge, et toitelüliti ja toitelüliti lukustus töötaksid õigesti ohutuse seisukohalt.	X		
Veenduge, et käepidemed on kuivad ja puhtad.	X		
Veenduge, et lõikeosa kaitse oleks kahjustamata. Kui lõikeosa kaitse on kahjustunud, vahetage see välja.	X		
Veenduge, et käepide poleks kahjustatud ning oleks õigesti kinnitatud.	X		
Kontrollige teleskoopvarre lukustusmehhanismi. Vt jaotist <i>Teleskoopvarre lukustusmehhanismi kontrollimine lk 141</i> .	X		
Kontrollige akulaadijat ja veenduge, et see töötab korralikult ja pole kahjustatud.	X		
Veenduge, et aku ei oleks kahjustatud.	X		
Veenduge, et aku oleks laetud.	X		
Veenduge, et akulaadija ei oleks kahjustatud.	X		
Veenduge, et välised mutrid ja kruvid oleksid pingutatud.		X	
Veenduge, et aku vabastusnupud töötavad ning lukustavad aku kindlalt seadme külge.		X	
Kontrollige, kas trimmipea poolis on mäaret.		X	
Puhastage ja kontrollige aku ja toote vahelisi ühendusi.			X
Puhastage ja kontrollige ühendust aku ja akulaadija vahel.			X

Aku ja akulaadija kontrollimine

1. Kontrollige, kas akul leidub kahjustusi, nt pragusid.
2. Kontrollige, kas akulaadijal leidub kahjustusi, nt pragusid.
3. Veenduge, et akulaadija ühendusjuhe poleks kahjustatud ja et sellel poleks pragusid.

Seadme, aku ja akulaadija puhastamine

1. Pärast kasutamist puhastage seade kuiva riidelapiga.
2. Puhastage aku ja akulaadija kuiva riidelapiga. Hoidke akujuhikuid puhtana.

3. Enne aku asetamist akulaadijasse või tootesse veenduge, et aku ja akulaadija klemmid oleksid puhtad.

3. Pange Tri-Cut kokku. Vt jaotist *Lõikeosa vahetamine lk 137*.

Tri-Cuti kontrollimine ja vahetamine

1. Kontrollige Tri-Cuti kahjustuste ja pragude suhtes.
2. Eemaldage Tri-Cut. *Vt jaotist „Tri-Cuti eemaldamine“ kasutusjuhendi viimasel lehel.*

Teleskoopvarre lukustusmehhanismi kontrollimine

1. Kontrollige teleskoopvarre lukustusmehhanismi.
2. Reguleerige pöördemomenti. (Joon. 55)

Veaotsing

Klahvistik

LED-ekraan	Võimalikud tõrked	Võimalikud lahendused
Tõrke LED-tuli vilgub	Ülekoormus	Lõikeosad ei saa vabalt liikuda. Vabastage lõikeosa.
	Temperatuuri kõrvalekaldumine	Laske seadmel maha jahtuda.
Toode ei käivitu.	Lükake toitelüliti ja vajutage samal ajal käivitusnuppu.	Laske toitelüliti lahti ja seisake seade.
Tõrke LED-tuli süttib koos punase tulega.	Seade vajab hooldust	Pöörduge hooldusesindusse.

Aku

LED-näidik	Võimalikud tõrked	Võimalik lahendus
Roheline LED-tuli vilgub.	Aku pinge madal.	Laadige aku.
Tõrke LED-tuli vilgub	Temperatuuri kõrvalekalle.	Kasutage akut keskkonnas, mille temperatuur jääb vahemikku $-10...40^{\circ}\text{C}$ ($14...104^{\circ}\text{F}$).
	Liiga suur pinge.	Kontrollige, kas toiteallika võrgupinge vastab seadme andmesildil märgitule. Eemaldage aku laadijast.
Tõrke LED-tuli põleb.	Elementide erinevus on liiga suur (1 V).	Pöörduge hooldusesindusse.

Akulaadija

Probleem	Võimalikud tõrked	Võimalik lahendus
Laadimist tähistav LED-tuli on punane.	Akulaadija püsiv tõrge.	Pöörduge edasimüüja poole.
Laadimist tähistav LED-tuli vilgub roheliselt.	Vale temperatuur, aku on laadimiseks liiga külm või liiga kuum.	Laske akut jahtuda või soojeneda. Kui aku on saavutanud õige temperatuuri, saab seda uuesti kasutada või laadida. Kasutage akulaadijat keskkonnas, mille temperatuur jääb vahemikku $5...40^{\circ}\text{C}$.

Probleem	Võimalikud tõrked	Võimalik lahendus
Laadimist tähistav LED-tuli vilgub punaselt.	Aku rike.	Pöörduge edasimüüja poole.

Transportimine, hoiulepanek ja utiliseerimine

Transportimine ja hoiustamine

- Tarnitud liitiumioonakud vastavad ohtlike ainete eeskirjade nõuetele.
- Täitke kaubanduslikule transpordile kehtestatud pakendamise ja märgistamise erinõudeid (sh kolmandate osapoolte või ekspediitorite teenuseid kasutades).
- Enne seadme lähetamist konsulteerige isikuga, kes on läbinud ohtlike ainete käitlemise alase erikoolituse. Järgige kõiki kehtivaid riiklikke eeskirju.
- Enne aku pakendisse asetamist katke lahtised kontaktid isoleerteibiga. Asetage aku pakendisse tihkelt, et see ei saaks liikuma hakata.
- Hoiustamise ja transpordi ajaks tuleb aku eemaldada.
- Asetage aku ja akulaadija kohta, mis on kuiv ja mida ei ähvarda niiskus ega jäätumine.
- Ärge hoidke akut kohas, kus võib tekkida staatiline elekter. Ärge hoidke akut metallkastis.
- Hoidke akut ruumis, mille temperatuur püsib vahemikus 5...25°C (41...77°F) ja kus aku on varjatud otsese päikesevalguse eest.
- Hoidke akulaadijat ruumis, mille temperatuur püsib vahemikus 5 °C kuni 45 °C ja kus akulaadija on varjatud otsese päikesevalguse eest.

- Kasutage akulaadijat üksnes juhul, kui ümbritsev temperatuur on vahemikus 5...40°C.
- Laadige enne aku pikemaajalist hoiustamist see 30–50% ulatuses täis.
- Hoidke akulaadijat ruumis, mis on suletud ja kuiv.
- Ladustamisel hoidke aku akulaadijast eemal. Ärge lubage lastel ja teistel volitamata isikutel seadmeid puutuda. Hoidke seadmeid lukustatavas ruumis.
- Enne seadme pikemaajalist hoiustamist puhastage seade ja tehke sellele täishooldus.
- Transportimise ja hoiustamise ajal kasutage tootel olevat transpordikaitset, et vältida inimeste kehavigastusi ja toote kahjustusi.
- Kinnitage seade transpordi ajaks turvaliselt.

Aku, akulaadija ja seadme kasutuselt kõrvaldamine

Tootel või selle pakendil olevad sümboolid näitavad, et toodet ei tohi visata olmeprügi hulka. Toimetage see elektri- ja elektroonikajätmete ringlussevõtukeskusesse. Nii aitate vältida keskkonna ja inimeste kahjustamist.

Kui soovite lisateavet oma toote ringlussevõtu kohta, võtke ühendust kohalike ametiasutuste, olmejäätmete käitleja või edasimüüjaga.

Tehnilised andmed

Tehnilised andmed

	215IL-TC
Mootor	
Mootori tüüp	BLDC
Väljuva võlli pöörlemiskiirus, p/m	6800
Lõikelaius, mm	255
Kaal	
Kaal ilma akuta (kg)	2,9

	215IL-TC
Müratasemed ²²	
Helivõimsuse tase, mõõdetud dB(A)	90,8
Müravõimsustase, garanteeritud L_{WA} dB(A)	93
Müratase ²³	
Ekvivalentne helirõhk kasutaja kõrva juures, mõõdetud IEC 62841-4-4 järgi, dB(A)	81,3
Vibratsioonitase ²⁴	
Käepidemete vibratsioonitasemed, mõõdetud IEC 62841-4-4 järgi, m/s^2	3,0/2,7
Eesmise/tagumise originaaltrimmeripeaga.	

Seadmes kasutamiseks heakskiidetud akud

Aku	BLi10		BLi20		40-B70	40-B140
Tüüp	Liitiumioonaku		Liitiumioonaku		Liitiumioonaku	Liitiumioonaku
Aku mahtvus, Ah	Vt aku andmete klee- bist		Vt aku andmete klee- bist		Vt aku andmete klee- bist	Vt aku andmete klee- bist
Nimipinge, V	36	36,5	36	36,5	36	36
Kaal, kg	0,7	0,7	1,2	1,2	0,8	1,25

Seadme jaoks heaks kiidetud akulaadid

Akulaadja	QC80	40-C80
Toitevõrgu pinge, V	100–240	100–240
Sagedus, Hz	50–60	50–60
Võimsus, W	100	72
Väljundpinge, alalisvool, V / amprit, A	36/2	43/1,6

²² Müraremissioon ümbritsevasse keskkonda, mõõdetud helivõimsuse tasemenähtena (L_{WA}) vastavalt EÜ direktiivile 2000/14/EÜ Erinevus garanteeritud ja mõõdetud helivõimsustaseme vahel seisneb selles, et direktiivi 2000/14/EÜ järgi hõlmab garanteeritud helivõimsustase ka mõõtmistulemuste dispersiooni ja kõrvalekaldeid sama mudeli erinevate toodete vahel.

²³ Esitatud andmetel on seadme helirõhutase ekvivalendil tüüpiline statistiline dispersioon (standardhälve) 3 dB(A).

²⁴ Vibratsioonitaseme kohta toodud andmete tüüpiline statistiline dispersioon (standardhälve) on 1,5 m/s^2 .

Lisatarvikud

Heakskiidetud tarvikud

Heakskiidetud tarvikud	Tüüp	Lõikeosa kaitsekate, art. nr.
Trimmipea	R25B (Ø 2 mm jõhv)	529 96 69-01
Trimmipea	Tri-Cut B (255 mm)	529 96 69-01

Vastavusdeklaratsioon

EÜ vastavusdeklaratsioon

Husqvarna AB, SE-561 82 Huskvarna, Rootsi, tel: +46
3614 6500, kinnitab ainuvastutusel, et toode:

Kirjeldus	Akutoitega murutrimmer
Kaubamärk	Husqvarna
Tüüp/mudel	215iL-TC
Identifitseerimine	Seerianumbrid alates 2025. aastast

vastab täielikult järgmistele EÜ direktiividele ja määrustele:

Direktiiv/eeskiri	Kirjeldus
2006/42/EÜ	„masinadirektiiv“
2014/30/EL	„elektromagnetilise ühilduvuse direktiiv“
2000/14/EÜ	„seadmete müra kohta käiv direktiiv“
2011/65/EL	„elektri- ja elektroonikaseadmetes teatavate ohtlike ainete kasutamise piiramise direktiiv“

ja et kohalduvad järgmised standardid ja/või tehnilised spetsifikatsioonid: EN 62841-1:2015+A11:2022, IEC 62841-4-4:2020, EN ISO 12100:2010, EN IEC 63000:2018, EN IEC 55014-1:2021; EN IEC 55014-2:2021.

Teavitatud asutus: 0036 TÜV SÜD Industrie Service GmbH, Westendstraße199,80686 München,Germany kinnitab vastavust nõukogu direktiivile 2000/14/EÜ, vastavushindamise menetlus: lisa VI.

Lisateavet mürataseme kohta vt *Tehnilised andmed lk 142.*

Huskvarna, 2025-01-10



Claes Losdal, Husqvarna AB uurimis- ja arendusjuht
Tehnilise dokumentatsiooni eest vastutaja



Sisällys

Johdanto.....	146	Kuljettaminen, säilyttäminen ja hävittäminen.....	157
Turvallisuus.....	147	Tekniset tiedot.....	158
Asentaminen.....	153	Lisävarusteet.....	159
Käyttö.....	153	Vaatimustenmukaisuusvakuutus.....	160
Huolto.....	155	Liite	478
Vianmääritys.....	156		

Johdanto

Tuotekuvaus

Husqvarna 215iL-TC on akkukäyttöinen ruohotrimmeri, jossa on sähkömoottori.

Käytön aikaista turvallisuutta ja tehokkuutta kehitetään jatkuvasti. Lisätietoja saat huoltoliikkeestä.

Käyttötarkoitus

Tuotteessa on muoviterät. Älä käytä tuotetta muihin tarkoituksiin kuin ruohon, rikkakasvien tai vastaavan pehmeän kasvillisuuden leikkaamiseen.

Tuotteen kuvaus

(Kuva 1)

1. Tri-Cut-terälaite
2. Terälaitteen suojus
3. Runkoputki
4. Runkoputken säätöteleskooppi
5. Kaarikahva
6. Näppäimistö
7. Näppäimistön varoitusvalo
8. Käynnistys-/pysäytyspainike
9. SavE-painike
10. Käyttöliipaisin
11. Käyttöliipaisimen varmistin
12. Virran ja varoitusten merkkivalo
13. Liitin
14. Akkulaturi 40-C80
15. Kasvisuoja
16. Akun varoitusvalo
17. Akun tila
18. Akun varaustilan painike
19. Akun vapautuspainikkeet
20. Akku
21. Yhdistelmätyökalu
22. Jousilevy
23. Käyttöohje

Tuotteen symbolit

(Kuva 2) VAROITUS: Tämä laite voi olla vaarallinen ja aiheuttaa käyttäjälle tai

Huomaus: Kansalliset määräykset saattavat rajoittaa laitteen käyttöä.

Käytä tuotteessa vain valmistajan hyväksymiä lisävarusteita. katso kohta *Lisävarusteet sivulla 159*.

sivullisille vakavia vahinkoja tai kuoleman. Ole varovainen ja käytä tuotetta oikein.

(Kuva 3) Lue käyttöohje huolellisesti ja varmista, että ymmärrät sen sisällön, ennen kuin alat käyttää tuotetta.

(Kuva 4) Käytä suojalaseja ja kuulonsuojaimia.

(Kuva 5) Ei saa altistaa sateelle.

(Kuva 6) Laitteessa on EU-direktiivien, Uuden Etelä-Walesin lainsäädännön ja Yhdistyneen kuningaskunnan säädösten mukainen ympäristön melupäästökielpi. Melupäästö tiedot ilmoitetaan koneen arvokilvessä ja luvussa Tekniset tiedot. Koskee vain tuotteita, joissa käytetään siimaa.

(Kuva 7) Varo sinkoutuvia esineitä.

(Kuva 8) Irrota akku ennen huoltotoimenpiteitä.

(Kuva 9) Laitetta tai sen pakkausta ei saa hävittää kotitalousjätteen mukana. Vie se asianmukaiseen sähkö- ja elektroniikkalaitteiden keräyspisteeseen.

(Kuva 10) Laite täyttää voimassa olevien EU-direktiivien vaatimukset.

(Kuva 11) Laite täyttää Yhdistyneen kuningaskunnan voimassa olevien säädösten vaatimukset.

(Kuva 12) Tasavirta.

(Kuva 16) Laitteen ja ohikulkijoiden välisen etäisyyden on oltava vähintään 15 m.

(Kuva 17) Älä käytä metalliteriä.

yyyywwxxxx

Tyyppikilvessä tai lasermerkinnässä näkyy sarjanumero, jossa **yyyy** on valmistusvuosi ja **ww** on valmistusviikko.

Akun ja/tai akkulaturin symbolit

(Kuva 18) Vie tämä laite asianmukaiseen sähkö- ja elektroniikkalaitteiden keräyspisteeseen. (Koskee ainoastaan Eurooppaa)

(Kuva 13) Vikaturvallinen muuntaja.

(Kuva 14) Käytä ja säilytä akkulaturia ainoastaan sisätiloissa.

(Kuva 15) Kaksoiseristys.

Tuotteen vaurioituminen

Emme ole vastuussa tuotteen vaurioitumisesta, jos:

- tuote on korjattu virheellisesti
- tuotteen korjaamiseen on käytetty muita kuin valmistajan omia tai sen hyväksymiä osia
- tuotteessa on muu kuin valmistajan oma tai sen hyväksymä lisävaruste
- tuotetta ei ole korjattu valtuutetussa huoltopisteessä tai hyväksytyllä asiantuntijalla.

Turvallisuus

Turvallisuusmääritelmät

Varoituksia, huomioita ja huomautuksia käytetään, kun jotakin käyttöohjeen osaa halutaan erityisesti korostaa.



VAROITUS: Tätä käytetään, jos käyttöohjeen noudattamatta jättämisestä voi seurata käyttäjän tai sivullisen vamma tai kuolema.



HUOMAUTUS: Tätä käytetään, jos käyttöohjeen noudattamatta jättämisestä voi seurata koneen, muiden materiaalien tai ympäristön vaurioituminen.

Huomautus: Tätä käytetään tietyissä tilanteissa tarvittavien lisätietojen antamiseen.

Koneen yleiset turvaohjeet



VAROITUS: Lue kaikki tämän koneen mukana tulevat turvavaroitukset, ohjeet, kuvat ja tekniset tiedot. *Alla olevien ohjeiden noudattamatta jättäminen voi johtaa sähköiskuun, tulipaloon ja/tai vakavaan tapaturmaan.*

Säästä kaikki varoitukset ja ohjeet tulevaa käyttöä varten.

Huomautus: Termillä "kone" tarkoitetaan varoituksissa verkkosähköllä toimivaa (johdollista) konetta tai akkukäyttöistä (johdotonta) konetta.

Työalueen turvallisuus

- **Pidä työalue siistinä ja hyvin valaistuna.** Sotkuiset tai hämärät alueet altistavat onnettomuuksille.
- **Älä käytä konetta räjähdysalttiissa ympäristössä, jossa on palavia nesteitä, kaasuja tai pölyjä.** Koneet aiheuttavat kipinöitä, jotka voivat sytyttää pölyn tai höyryt.
- **Pidä lapset ja sivulliset kaukana konetta käytettäessä.** Häiriöt voivat saada sinut menettämään koneen hallinnan.

Sähköturvallisuus

- **Koneen liitinpistokkeen on sovittava pistorasiaan. Älä koskaan muuta pistoketta millään tavoin. Älä käytä mitään pistokesovittimia maadoitettujen koneiden kanssa.** Alkuperäiset pistokkeet ja sopivat pistorasiat vähentävät sähköiskun vaaraa.
- **Varo koskettamasta maadoitettuja pintoja, kuten putkia, pattereita, liesiä ja jääkaappeja.** Sähköiskun riski kasvaa, jos käyttäjän kehoon kohdistuu maadoitus.
- **Suojaa koneet sateelta ja kosteudelta.** Veden pääseminen koneeseen lisää sähköiskun vaaraa.
- **Älä vahingoita johtoa. Älä koskaan käytä johtoa koneen kantamiseen, vetämiseen tai irrottamiseen pistorasiasta.** Pidä johto etäällä lämmönlähteistä, öljystä, terävistä reunoista ja liikkuvista osista.

Vahingoittuneet tai sotkeutuneet johdot lisäävät sähköiskun vaaraa.

- **Jos käytät konetta ulkona, käytä vain ulkokäyttöön sopivia jatkojohtoja.** Ulkokäyttöön sopivan johdon käyttäminen vähentää sähköiskun vaaraa.
- **Mikäli koneen käyttämistä kosteassa ei voida välttää, on käytettävä virtalähdettä, jossa on vikavirtasuojajakytkin (RCD).** Vikavirtasuojajakytkimen käyttö vähentää sähköiskun vaaraa.

Henkilökohtainen turvallisuus

- **Pysy valppaana, katso mitä teet ja käytä tervettä järkeä konetta käyttäessäsi. Älä käytä konetta väsyneenä tai huumaiden, alkoholin tai lääkeaineiden vaikutuksen alaisena.** Hetken epähuomio koneita käytettäessä voi johtaa vakavaan henkilövahinkoon.
- **Käytä henkilökohtaisia suojavarusteita. Käytä aina suojalaseja.** Hengityssuojain, luistamattomat turvakengät, kypärä, kuulonsuojaimet ja muut suojavarusteet niitä vaativissa oloissa käytettyinä vähentävät henkilövahinkoja.
- **Estä tahaton käynnistys. Varmista, että katkaisin on OFF-asennossa ennen virtalähteen jätin akun kytkemistä, koneeseen tarttumista tai sen kantamista.** Koneiden kantaminen sormi kytkimellä tai virran kytkeminen koneeseen, kun kytkin on käyttöasennossa, altistaa onnettomuuksille.
- **Irrota mahdolliset säätöavaimet ennen virran kytkemistä koneeseen.** Koneen pyörivään osaan kiinnitetty avain voi aiheuttaa henkilövahingon.
- **Älä kurota.** Säilytä aina tukeva asento ja tasapaino. Tämä mahdollistaa koneen paremman hallinnan odottamattomissa tilanteissa.
- **Pukeudu oikein. Älä käytä löysästi istuvia vaatteita tai koruja. Pidä hiukset ja vaatteet etäällä liikkuvista osista.** Löysät vaatteet, korut tai pitkät hiukset voivat tarttua liikkuviin osiin.
- **Jos käytettävissä on kytkentämahdollisuus pölynerottimelle, varmista, että se kytketään ja että sitä käytetään oikein.** Pölynpoiston käyttö voi vähentää pölyn liittyviä riskejä.
- **Vaikka olisit käyttänyt koneita usein ja tuntisit ne hyvin, muista aina ottaa huomioon koneen turvamääräykset.** Huolimaton toiminta voi johtaa sekunnin murto-osissa vakaviin loukkaantumisiin.

Koneen käyttö ja huolto

- **Älä pakota konetta. Käytä käyttötarkoitukseen sopivaa konetta.** Oikea kone tekee työn paremmin ja turvallisemmin nopeudella, jota varten se on suunniteltu.
- **Älä käytä konetta, jos virtaa ei voi kytkeä ja katkaista virtakytkimellä.** Mikä tahansa kone, jota ei voi hallita virtakytkimellä, on vaarallinen, ja se pitää korjata.
- **Irrota pistoke pistorasiasta ja/tai akku koneesta, mikäli mahdollista, ennen kuin teet mitään säätöjä, vaihdat lisävarusteita tai varastoit koneita.** Nämä

varotoimenpiteet estävät koneen käynnistymisen vahingossa.

- **Varastoit käyttämättömät koneet pois lasten ulottuvilta äläkä anna henkilöiden, jotka eivät tunne konetta tai näitä ohjeita, käyttää konetta.** Koneet ovat vaarallisia taitamattomien käyttäjien käsissä.
- **Pidä konetta ja lisävarusteet hyvässä kunnossa.** Tarkista, että liikkuvat osat eivät ole pois paikoiltaan tai juuttuneet ja että mikään osa ei ole murtunut. Tarkista myös kaikki muut tekijät, jotka voivat vaikuttaa koneen toimintaan. Jos kone on vahingoittunut, korjauta se ennen käyttöä. Monet onnettomuudet johtuvat huonosti huolletusta koneesta.
- **Pidä leikkaustyökalut terävinä ja puhtaina.** Oikein huolletut leikkuukoneet, joiden leikkuureunat ovat terävät, eivät juutu kiinni niin helposti ja ovat helpommin hallittavissa.
- **Käytä konetta, lisävarusteita, teriä jne. näiden ohjeiden mukaisesti ottaen huomioon työskentelyolosuhteet ja suoritettavan työn laadun.** Koneen käyttäminen ennakoituista poikkeavissa olosuhteissa voi johtaa vaaratilanteeseen.
- **Pidä kahvat ja tarttumapinnat kuivina, puhtaina ja öljyttöminä sekä puhtaana vasellinista.** Jos koneen kahvat tai tarttumapinnat ovat liukkaat, koneen käsittely ja hallinta ei ole turvallista odottamattomissa tilanteissa.

Akkukäyttöisten koneiden käyttö ja huolto

- **Lataa akku ainoastaan valmistajan tarkoitukseen nimeämällä laturilla.** Tietynlaiseen akustoon soveltuva laturi voi aiheuttaa tulipalon vaaran, jos sitä käytetään toisenlaisen akuston lataamiseen.
- **Käytä komeissa ainoastaan niille tarkoitettuja akkuja.** Muunlaisten akkujen käyttö voi aiheuttaa tapaturmien tai tulipalon vaaran.
- **Kun akkua ei käytetä, pidä se etäällä metalliesineistä, kuten paperiliittimistä, kolikoista, avaimista, nauloista, ruuveista tai muista pienistä metalliesineistä, jotka saattavat aiheuttaa kosketuksen liitinten välillä.** Akkuliitinten saattaminen keskenään oikosulkuun voi aiheuttaa palovammoja tai tulipalon.
- **Akusta voi tihkuu nestettä väärissä olosuhteissa.** Vältä kosketusta akkuneesteeseen. Jos akkuneestettä joutuu iholle, huuhtelee ihoalue vedellä. Jos neste joutuu kosketuksiin silmien kanssa, ota myös yhteys lääkäriin. Akkuneeste voi aiheuttaa ihoärsytystä tai palovammoja.
- **Älä käytä vaurioitunutta tai muutettua akkua tai konetta.** Jos tuotteessa käytetään vaurioituneita tai muutettuja akkuja, tuote ei välttämättä toimi asianmukaisesti. Seurauksena saattaa olla tulipalo, räjähdys tai tapaturma.
- **Älä altista akkua tai konetta tulelle tai korkeille lämpötiloille.** Koneen altistuminen tulelle tai yli 130 °C:n lämpötilalle voi aiheuttaa räjähdyksen.
- **Noudata kaikkia latausohjeita äläkä lataa akkua tai konetta ohjeissa määritetyn lämpötila-**

alueen ulkopuolella. Akun lataaminen väärin tai sallituista lämpötiloista poikkeavissa olosuhteissa voi vahingoittaa akkua ja lisätä tulipaloriskiä.

Huolto

- **Anna koneen korjaaminen pätevän korjaajan tehtäväksi.** Koneessa saa käyttää vain täysin samanlaisia varaosia. Näin taataan, että koneen käyttöturvallisuus säilyy ennallaan.
- **Älä koskaan huolla vahingoittuneita akkuja.** Akkuja saavat huoltaa vain valmistaja ja valtuutetut palveluntarjoajat.

Ruohotrimmerin turvavaroitukset

- **Älä käytä ruohonleikkuria epäsuotuisissa sääolosuhteissa, etenkin jos salamointi on mahdollista.** Näin pienennät salamaniskujen riskiä.
- **Tarkista perusteellisesti koneen käyttöalueella elävät luontokappaleet.** Luontokappaleet voivat loukkaantua koneen käytön aikana.
- **Tarkista koneen käyttöalue huolellisesti ennen käyttöä ja poista kaikki kivet, risut, johdot, luut ja muut vierasesineet.** Sinkoutuvat esineet voivat aiheuttaa henkilövahinkoja.
- **Tarkasta aina ennen käyttöä silmämääräisesti, että leikkuri tai terä ja leikkuri- tai teräkokoonpano eivät ole vaurioituneet.** Vaurioituneet osat lisäävät loukkaantumisvaaraa.
- **Noudata lisävarusteiden vaihtoa koskevia ohjeita.** Huonosti kiristetyt terän kiinnitysmutterit tai -pultit voivat joko vahingoittaa terää tai aiheuttaa sen irtoamisen.
- **Käytä suojalaseja, kuulonsuojaimia, kypärää ja käsineitä.** Asianmukainen suojavarustus pienentää lentävistä roskista tai leikkuusiiman tai terän tahattomasta koskettamisesta aiheutuvien henkilövahinkojen riskiä.
- **Käytä aina koneen käytön aikana luistamattomia suojajalkineita. Älä käytä konetta avojaloin tai avoimet sandaalit jalassa.** Tämä vähentää jalkojen loukkaantumisen vaaraa, jos ne osuvat siimaan tai terään.
- **Käytä pitkiä housuja aina konetta käyttäessäsi.** Paljas iho lisää lentävistä esineistä aiheutuvan loukkaantumisen todennäköisyyttä.
- **Pidä sivulliset poissa, kun käytät konetta.** Sinkoutuvat roskat voivat johtaa vakavaan henkilövahinkoon.
- **Käytä konetta aina molemmin käsin.** Pidä koneesta kiinni molemmin käsin, jotta et menetä sen hallintaa.
- **Pitele konetta kädessäsi tarttumalla ainoastaan sen eristettyihin tartuntapintoihin, sillä leikkuusiima tai terä voi osua näkyvässä oleviin johtoihin.** Jos leikkuusiima ja terät koskettavat jännitteellistä sähköjohtoa, myös koneen paljisiin metalliosiin voi syntyä jännite, jolloin käyttäjä voi saada sähköiskun.
- **Pidä aina tukeva asento ja käytä konetta vain, kun seisot maassa.** Liukkaat tai epätasaiset pinnat

voivat aiheuttaa tasapainon tai koneen hallinnan menettämisen.

- **Älä käytä konetta hyvin jyrkissä rinteissä.** Tämä vähentää hallinnan menettämisen, liukastumisen ja kaatumisen vaaraa, josta voi aiheutua henkilövahinkoja.
- **Kun työskentelet rinteissä, pidä jalkasi tukevasti maassa.** Käytä konetta aina sivusuunnassa rinteeseen nähden äläkä koskaan ala- tai yläsuunnassa. Ole erittäin varovainen, kun vaihdat suuntaa. Tämä vähentää hallinnan menettämisen, liukastumisen ja kaatumisen vaaraa, josta voi aiheutua henkilövahinkoja.
- **Pidä kaikki kehon osat poissa leikkurin, siiman tai terän lähetyviltä koneen käytön aikana.** Varmista ennen koneen käynnistämistä, että leikkuri, siima tai terä ei kosketa mitään. Hetken epähuomio konetta käytettäessä voi aiheuttaa vahinkoa sinulle itsellesi tai muille.
- **Älä käytä konetta vyötärötason yläpuolella.** Tämä auttaa estämään tahattomaa leikkuri- tai teräkosketuksen ja mahdollistaa paremman koneen hallinnan odottamattomissa tilanteissa.
- **Varo takaisinkimmahdusta, kun saahaat jännityksessä olevaa pensasta tai taimia.** Kun puun kuitujen jännitys vapautuu, jännittynyt pensas tai taimi voi osua käyttäjään ja/tai heittää konetta hallitsemattomasti.
- **Ole erittäin varovainen sahatessasi pensaita ja taimia.** Ohut materiaali voi tarttua terään ja lyödä sinua kohti tai vetää sinut pois tasapainosta.
- **Pidä kone hallinnassasi äläkä kosketa leikkureihin, siimoihin tai teriin tai muihin vaarallisiin osiin niiden liikkeessa.** Tämä vähentää liikkuvista osista aiheutuvan loukkaantumisen riskiä.
- **Kanna konetta virta katkaistuna ja pois päin kehostasi.** Koneen asianmukainen käsittely pienentää liikkuvaan leikkuriin, siimaan tai terään osuvan tahattoman kosketuksen riskiä.
- **Käytä vain valmistajan määrittämiä vaihtoleikkureita, -siimoja, -leikkuupäitä ja -teräiä.** Väärät varaosat voivat lisätä rikkoutumis- ja loukkautusrisinkiä.
- **Kun irrotat juuttunutta materiaalia tai huollat konetta, varmista, että virtakytkin on asetettu OFF-asentoon ja että akku on irrotettu.** Koneen käynnistäminen vahingossa juuttunutta aineesta irrottaessa tai konetta huoltaessa voi johtaa vakavaan henkilövahinkoon.

Tarkastus ennen käynnistystä

- Irrota akku aina käytön jälkeen, jotta laite ei käynnisty vahingossa. Irrota akku laitteesta aina ennen laitteen huoltotoimia.
- Tarkista laite kulumisen ja vaurioiden valralta aina ennen käyttöä ja minkä tahansa laitteeseen kohdistuneen iskun jälkeen. Korjaa viat tarvittaessa.
- Tarkista työskentelyalue. Poista kaikki irralliset esineet, kuten kivet, lasinsirpaleet, nauhat, rautalangat, narut ja vastaavat, jotka voivat

sinkoutua liikkeelle tai kietoutua leikkaimeen tai leikkusuojukseen.

- Tarkista moottori liian ja murtumien varalta. Poista ruoho ja lehdet moottorista harjaamalla. Käytä käsiineitä aina tarvittaessa.
- Varmista, että siimapää on kiinnitetty trimmeriin asianmukaisesti.
- Tarkista, että laite on moitteettomassa kunnossa. Tarkista, että kaikki mutterit ja ruuvit on kiristetty.
- Tarkista, että siimapää ja terälaitteen suojus ovat ehjiä eikä niissä ole halkeamia. Vaihda siimapää tai terälaitteen suojus, jos niihin on kohdistunut iskuja tai niissä on halkeamia. Käytä aina kyseiselle leikkausterälle suositeltua suojusta. Katso luku Tekniset tiedot.
- Laitteen käyttäjän on huolehdittava siitä, että ihmiset ja eläimet ovat työn aikana vähintään 15 metrin päässä laitteesta. Kun useampia käyttäjiä työskentelee samalla työalueella, on turvaetäisyyden oltava vähintään 15 metriä.
- Tarkista laite kokonaisuudessaan ennen käyttöä. Katso huoltokaavio.
- Käyttöä säädellään mahdollisesti kansallisilla tai paikallisilla määräyksillä. Noudata ilmoitettuja määräyksiä.

Käytä aina tervettä järkeä

On mahdotonta kuvata kaikkia mahdollisia tilanteita, joita laitteen käytössä voi ilmetä. Ole aina varovainen ja käytä tervettä järkeä. Vältä tilanteita, mihin et katso taitosi riittävän. Mikäli olet vielä näiden ohjeiden lukemisen jälkeen epävarma menettelytavoista, sinun on kysyttävä neuvoa asiantuntijalta ennen jatkamista.



VAROITUS: Älä anna koskaan lasten käyttää laitetta tai oleskella sen läheisyydessä. Koska laite on helppo käynnistää, myös lapset saattavat pystyä käynnistämään sen, ellei heitä valvota. Tämä voi johtaa vakaviin henkilövahinkoihin. Irrota sen vuoksi akku aina, kun laite on ilman valvontaa.

Yleiset turvallisuusohjeet



VAROITUS: Lue seuraavat varoitukset ennen tuotteen käyttöä.

- Irrota akku käytön jälkeen, jotta tuote ei käynnisty vahingossa.
- Tämä tuote on vaarallinen työkalu, jos sitä käytetään huolimattomasti tai väärin. Tuote voi aiheuttaa käyttäjälle tai sivullisille vakavia vammoja tai kuoleman.
- Älä käytä tuotetta, jos sen alkuperäisiä ominaisuuksia on muutettu. Älä muuta edes osaa tuotteesta ilman valmistajan lupaa. Käytä vain

valmistajan hyväksymiä osia. Virheellinen huolto voi aiheuttaa tapaturman tai kuoleman.

- Tarkista tuote ennen käyttöä. Katso kohdat *Tuotteen turvalaitteet sivulla 151* ja *Tuotteen kuvaus sivulla 146*. Älä käytä tuotetta, joka on vahingoittunut tai joka ei toimi oikein. Noudata tässä käyttöohjeessa annettuja turvallisuustarkastuksia, kunnossapitoa ja huoltoa koskevia ohjeita.
- Lapsia on valvottava, jotta voidaan varmistaa, etteivät he leiki tuotteella. Älä koskaan anna lasten tai henkilöiden, joille ei ole annettu tuotteen ja/tai akun käyttökoulutusta, käyttää tai korjata sitä. Paikalliset määräykset saattavat asettaa ikärajoituksia käyttäjille.
- Säilytä tuotetta lukitussa varastossa, jonne lapset ja asiattomat henkilöt eivät pääse.
- Säilytä laite lasten ulottumattomissa.
- Tuotteen rakennetta ei missään tapauksessa saa muuttaa ilman valmistajan lupaa. Käytä aina alkuperäisiä lisävarusteita. Hyväksymättömien muutosten ja/tai lisävarusteiden käyttö voi aiheuttaa käyttäjälle ja muille vakavia vahinkoja tai kuoleman.
- Ilmoitettu tärinän kokonaisarvo on mitattu normaalin testimenetelmän mukaisesti, ja sen avulla voi verrata työkaluja keskenään.
- Ilmoitettua tärinän kokonaisarvoa voi käyttää myös altistuksen alustavassa arvioinnissa.
- Tärinäpäästöt sähkötyökalun varsinaisen käytön aikana voivat poiketa ilmoitetusta kokonaisarvosta työkalun käytötavasta riippuen. Käyttäjien tulee itsensä suojaamiseksi noudattaa turvatoimia, jotka perustuvat päästöjen arviointiin todellisissa käyttöolosuhteissa (huomioon ottaen kaikki käyttöjakson osat, kuten työkalun päältäkytkemisaika ja se, milloin se käy joutokäynnillä, liipaisimen lisäksi).

Huomautus: Käyttöä säädellään mahdollisesti kansallisilla tai paikallisilla laeilla. Noudata ilmoitettuja määräyksiä.

Henkilökohtainen suojarustus



VAROITUS: Lue seuraavat varoitushojeet ennen laitteen käyttämistä.

- Käytä aina hyväksytyjä henkilökohtaisia suojarusteita, kun käytät laitetta. Henkilökohtaiset suojaruusteet eivät poista tapaturmien vaaraa, mutta ne lieventävät vammoja onnettomuustilanteissa. Anna jälleenmyyjän auttaa oikeiden varusteiden valinnassa.
- Käytä hyväksytyjä kuulonsuojaimia.

(Kuva 19)

- Käytä hyväksytyjä silmäsuojaimia. Visiiriä käytettäessä on käytettävä myös hyväksytyjä suojalaseja. Hyväksytyillä suojalaseilla tarkoitetaan

laseja, jotka täyttävät standardin ANSI Z87.1 (Yhdysvallat) tai EN 166 (EU-maat) vaatimukset.

(Kuva 20)

- Käytä käsineitä tarvittaessa esimerkiksi terävarustuksen asennuksen, tarkastuksen ja puhdistuksen aikana.

(Kuva 21)

- Käytä turvajalkineita, joissa on teräskärjet ja luistamattomat pohjat.

(Kuva 22)

- Käytä lujasta materiaalista valmistettuja vaatteita. Käytä aina vahvakankaisia pitkiä housuja ja pitkähihaista takkia. Vältä liian löysiä vaatteita, jotka tarttuvat helposti rusuihin ja oksiin. Älä käytä koruja, lyhyitä housuja tai sandaaleja. Älä ole paljain jaloin. Sido hiukset turvallisesti okkapäiden yläpuolelle.
- Pidä ensiaputarvikkeet lähettyvillä.

(Kuva 23)

Tuotteen turvalaitteet



VAROITUS: Lue seuraavat varoitukset ennen tuotteen käyttöä.

Tässä osassa kerrotaan laitteen turvaominaisuuksista ja niiden toiminnasta sekä annetaan tarkastus- ja kunnossapito-ohjeet, joilla varmistetaan laitteen toimivuus. Lue kohdasta *Johdanto sivulla 146* tiedot siitä, missä osat sijaitsevat laitteessa.

Laitteen käyttöikä voi lyhentyä ja onnettomuusvaara kasvaa, jos laitteen kunnossapitoa ei suoriteta oikein ja jos huoltoa ja/tai korjauksia ei tehdä ammattitaitoisesti. Saat lisätietoja lähimmästä huoltoliikkeestä.



VAROITUS: Älä koskaan käytä tuotetta, jos sen turvalaitteet ovat vaurioituneet. Laitteen turvalaitteet on tarkastettava ja pidettävä kunnossa tässä osassa esitetyllä tavalla. Jos laitteessasi ilmenee tarkastettaessa puutteita, se on toimitettava huoltoliikkeeseen korjattavaksi.



HUOMAUTUS: Kaikki laitteen huolto- ja korjaustyöt vaativat erikoiskoulutusta. Tämä koskee erityisesti laitteen turvavarustusta. Jos laitteessa havaitaan puutteita alla luetelluissa tarkastuksissa, on sinun otettava yhteys huoltoliikkeeseen. Hankkimalla laitteen meiltä varmistat, että saat sille ammattimaisen korjauksen ja huollon. Jos ostat laitteen muusta kuin huollot suorittavasta ammattiliikkeestä, pyydä myyjää neuvomaan lähin huoltoliike.

Näppäimistön tarkistaminen

1. Paina käynnistys-/pysäytyspainiketta (A). (Kuva 24)
 - a) Laite on käynnissä, kun merkkivalo (B) palaa.
 - b) Laite ei ole käynnissä, kun merkkivalo (B) ei pala.
2. Katso osio *Näppäimistö sivulla 156*, jos varoitusmerkkivalo (C) syttyy tai vilkkuu.

Käyttöliipaisimen varmistimen tarkistaminen

Käyttöliipaisimen varmistin estää laitteen tahattoman käynnistymisen. Kun painat käyttöliipaisimen varmistinta (A), käyttöliipaisin (B) vapautuu. Kun irrotat otteen kahvasta, sekä käyttöliipaisin että varmistin palautuvat lähtöasentoonsa.

(Kuva 25)

1. Varmista, että käyttöliipaisin on lukittu, kun käyttöliipaisimen varmistin on alkuasennossa. (Kuva 26)
2. Paina käyttöliipaisinta ja varmista, että se palautuu lähtöasentoonsa, kun se vapautetaan. (Kuva 27)
3. Tarkista, että käyttöliipaisin ja sen varmistin liikkuvat vapaasti ja palautusjousi toimii oikein. (Kuva 28)
4. Käynnistä laite. Katso kohta *Laitteen käynnistäminen sivulla 154*.
5. Käytä täyttä käyntinopeutta.
6. Vapauta käyttöliipaisin ja varmista, että terälaite pysähtyy.

Terälaitteen suojuksen tarkistaminen



VAROITUS: Älä käytä terälaitetta ilman hyväksyttyä ja oikein kiinnitettyä terälaitteen suojusta. Käytä aina käyttämällesi terälaitteelle suositeltua suojusta. Katso kohta *Tekniset tiedot sivulla 158*. Jos terälaitteeseen asennetaan väärä tai viallinen suojuus, se voi aiheuttaa vakavan henkilövahingon.

Terälaitteen suojuus pysäyttää käyttäjää kohti sinkoutuvat esineet. Suojus ehkäisee myös terälaitteen koskettamisesta syntyviä vammoja.

1. Pysäytä moottori.
2. Tarkista silmämääräisesti, onko vaurioita, kuten halkeamia.
3. Vaihda terälaitteen suojuus, jos se on vaurioitunut.

Terävarustus

Valitse oikea terävarustus ja huolla se, jotta

- saat parhaan leikkutehon
- ja terävarustuksen käyttöikä pitenee.



VAROITUS: Käytä terävarustuksessa vain suosittelemamme suojusta! Katso kohta *Hyväksytyt lisävarusteet sivulla 159*. Katso trimmerin siiman ja muoviterien kelausohjeet terälaitteen ohjeista.



VAROITUS: Viallinen terävarustus voi lisätä onnettomuuksien vaaraa.



VAROITUS: Pysäytä aina moottori, ennen kuin alat käsitellä terälaitetta. Se pyörii vielä kaasuliipaisimen vapauttamisen jälkeen. Varmista, että terälaitte on täysin pysähtynyt ja irrota tuotteen akku, ennen kuin alat käsitellä terälaitetta.

Terälaitte



VAROITUS: Varmista aina, että trimmerin siima kelautuu tiukalle ja tasaisesti puolalle. Muussa tapauksessa tuote aiheuttaa terveydelle haitallista tärinää.

(Kuva 29)

- Käytä vain suositeltuja terälaitteita.
- Trimmerin siiman pituudella on merkitystä. Pitkä trimmerin siima vaatii suuremman moottoritehon kuin yhtä paksu, mutta lyhyempi siima.
- Varmista, että terälaitteen suojuksessa oleva leikkain on ehjä. Trimmerin siima katkaistaan sillä oikeanpituisiksi.
- Pidennä trimmerin siiman käyttöikää liittämällä sitä vedessä muutaman päivän ajan ennen käyttöä.

Akkuturvallisuus



VAROITUS: Lue seuraavat varoitukset ennen tuotteen käyttöä.

- Käytä vain sarjaa BLI ja sarjan 40-B akkuja. Katso lisätietoja kohdasta *Tekniset tiedot sivulla 158*. Akku on ohjelmistosalattu.
- Käytä sarjaa BLI ja sarjan 40-B ladattavaa akkuja vain asiaankuuluvien Husqvarna tuotteiden virtalähteenä. Tapaturmien välttämiseksi akkuja ei saa käyttää muiden laitteiden virtalähteenä.
- Sähköiskun vaara. Älä koske akun napoihin avaimella, kolikolla, ruuvilla tai muilla metalliesineillä. Tämä voi aiheuttaa akun oikosulun.
- Älä käytä akkuja, joita ei voi ladata.
- Älä aseta esineitä akun ilma-aukkoihin.
- Pidä akku suojassa auringonvalolta, kuumuudelta ja avotulelta. Akku voi aiheuttaa palo- ja/tai syöpymisvaimmoja.

- Suojaa akku sateelta ja kosteilta olosuhteilta.
- Älä altista akkuja mikroaalloille ja korkealle paineelle.
- Älä yritä purkaa tai rikkoa akkuja.
- Jos akku vuotaa, älä anna nesteen joutua kosketuksiin kehon tai silmien kanssa. Jos nestettä joutuu iholle, puhdista iho heti runsaalla vedellä ja saippualla ja hakeudu lääkäriin. Jos nestettä joutuu silmiin, älä hankaa silmiä vaan huuhtele niitä vedellä ainakin 15 minuuttia ja hakeudu lääkäriin.
- Käytä akkuja lämpötilan ollessa välillä -10 °C (14 °F) – 40 °C (114 °F).
- Älä pese akkuja tai akkulaturia vedellä. Katso *Laitteen, akun ja akkulaturin puhdistaminen sivulla 156*.
- Älä käytä viallista tai vaurioitunutta akkuja.
- Säilytä akkuja varastossa kaukana metalliesineistä kuten nauloista, ruuveista ja koruista.
- Pidä akku poissa lasten ulottuvilta.

Akkulaturin turvallisuus



VAROITUS: Lue seuraavat varoitukset ennen tuotteen käyttöä.

- On olemassa sähköiskun tai oikosulun vaara, jos turvaohjeita ei noudateta.
- Käytä vain akun mukana toimitettua akkulaturia. Käytä vain latureita QC80 ja 40-C80 sarjan BLI ja sarjan 40-B vaihtoakkujen lataukseen.
- Älä yritä purkaa akkulaturia.
- Älä käytä viallista tai vaurioitunutta akkulaturia.
- Älä nosta akkulaturia virtajohdosta. Irrota akkulaturi pistorasiasta vetämällä pistoke ulos. Älä vedä virtajohdosta.
- Pidä kaikki kaapelit ja jatkojohdot poissa veden, öljyn ja terävien reunojen ulottuvilta. Varmista, ettei kaapeli jää ovien, aitojen tai muiden vastaavien esineiden väliin.
- Älä käytä akkulaturia herkästi syttyvien materiaalien tai syöpymistä aiheuttavien materiaalien lähellä. Varmista, että akkulaturia ei ole peitetty. Jos havaitset savua tai tulta, irrota akkulaturin pistoke pistorasiasta.
- Lataa akku vain sisätiloissa poissa auringonvalosta ja paikassa, jossa on hyvä ilmanvaihto. Älä lataa akkuja ulkona. Älä lataa akkuja märissä olosuhteissa.
- Käytä akkulaturia vain lämpötilan ollessa välillä 5 °C (41 °F) – 40 °C (104 °F). Käytä laturia kuivassa ja pölyttömässä ympäristössä, jossa on hyvä ilmanvaihto.
- Älä aseta esineitä akkulaturin jäähdytysaukkoihin.
- Älä liitä akkulaturin liittimiä metalliesineisiin, sillä tämä voi aiheuttaa akkulaturin oikosulun.
- Käytä hyväksytyjä ja ehjiä pistorasioita. Varmista, että akkulaturin johto ei ole vahingoittunut. Jos käytät jatkojohtoja, varmista, että ne eivät ole vahingoittuneet.

- Älä lataa akkulatorilla akkuja, jotka eivät sovellu uudelleenlataukseen.

Turvaohjeet huoltoa varten



VAROITUS: Lue seuraavat varoitushjeet ennen laitteen huoltamista.

- Irrota akku ennen laitteen huoltoa, muita tarkistuksia tai kokoamista.
- Käyttäjän on huolehdittava ainoastaan tässä käyttöohjekirjassa kuvatuista korjaus- ja

huoltotoimista. Anna huoltoliikkeen tehdä suuremmat korjaus- ja huoltotoimet.

- Älä pese akkua tai akkulatoria vedellä. Vahvat pesuaineet voivat vaurioittaa muovia.
- Laitteen huoltamatta jättäminen lyhentää sen käyttöikää ja lisää onnettomuusrisiä.
- Laitteen huolto- ja korjaustyöt, erityisesti laitteen turvalaitteille tehtävät työt, vaativat erityiskoulutusta. Jos kaikkia käyttöohjekirjassa lueteltuja tarkistuksia ei huollon jälkeen voida suorittaa hyväksytysti, vie laite huoltoliikkeeseen. Siellä laitteesi huolletaan ja korjataan ammattimaisesti.
- Käytä vain alkuperäisiä varaosia.

Asentaminen

Johdanto



VAROITUS: Lue ja sisäistä turvallisuutta käsittelevä luku ennen laitteen asentamista.

Terälaitteen suojuksen kiinnittäminen

1. Aseta terälaitteen suojus moottorikoteloa vasten. (Kuva 30)
2. Tarkista lukituskoukut. (Kuva 31)
3. Kiristä pultti. Käytä yhdistelmäavainta. (Kuva 32)
4. Kiristä pultti.

Terälaitteen vaihtaminen

1. Lukitse akseli asettamalla yhdistelmäavain reikään. (Kuva 33)
2. Käännä terälaitetta ja paina yhdistelmäavainta varovasti, kunnes käyttöakseli lukittuu.
3. Irrota terälaite kääntämällä sitä myötäpäivään. Varmista, että jousilevy on paikallaan, ennen kuin asennat terälaitteen. (Kuva 34)
4. Asenna uusi terälaite päinvastaisessa järjestyksessä. (Kuva 35) (Kuva 36)

Huomautus: Varmista, että jousilevy on asennettu oikein, ennen kuin asennat terälaitteen.

Kasvisuojan asennus

1. Asenna kasvisuoja moottorikotelon reikiin. (Kuva 37)
2. Varmista, että kasvisuoja liikkuu vapaasti eteen- ja taaksepäin. (Kuva 38)

Kaarikahvan asennus

1. Asenna ruuvi kaarikahvaan. (Kuva 39)
2. Asenna kaarikahva runkoputkeen.
3. Kiristä ruuvit.
4. Säädä kaarikahva oikeaan asentoon. Katso kohta *Kaarikahvan ja teleskooppivarren säätäminen sivulla 154.*

Akkulaturin (40-C80) kiinnitys seinään



HUOMAUTUS: Älä käytä sähkökäyttöistä ruuvinväännintä asentaessasi akkulatoria seinään. Sähkökäyttöinen ruuvinväännin voi vaurioittaa akkulatoria.

1. Asenna akkulaturi seinään kahdella ruuvilla (A). Käytä tarvittaessa ruuvitulppia (B). (Kuva 40)
2. Asenna ruuvireikien tulpat (2 kpl) (C).
3. Kytke akkulaturin virtajohto (D) akkulaturiin ja pistorasiaan.

Käyttö

Johdanto



VAROITUS: Lue ja sisäistä turvallisuutta käsittelevä luku ennen laitteen käyttöä.

Ennen laitteen käyttöä

- Varmista työaluetta tutkimalla, että tunnet maaston laadun. Tarkista maaston kaltevuus ja mahdolliset esteet, kuten kivet, oksat ja ojat.
- Suorita tuotteen yleistarkastus.
- Tee tässä ohjekirjassa kuvatut turvallisuustarkastukset ja huolto- ja ylläpitotoimenpiteet.

- Tarkista moottori lian ja murtumien varalta. Poista moottorista ruoho ja lehdet harjalla. Käytä tarvittaessa suojakäsineitä.
- Tarkista siimapää ja terälaitteen suojus vaurioiden tai halkeamien varalta. Vaihda siimapää ja terälaitteen suojus, jos niissä on kolhuja tai halkeamia.
- Varmista, että kaikki ruuvit ja mutterit on kiristetty.
- Varmista ennen laitteen käyttöä, että kaikki kannet, suojukset, kahvat ja terävarustus on kiinnitetty oikein, eikä niissä ole vaurioita.

käyttöä. Lue myös akun ja akkulaturin käyttöohje niin, että ymmärrät sen sisällön.

Säilytä akku ja laturi oikeassa lämpötilassa.

	Ympäristön lämpötila
Tuotteen käyttäminen	-5–40 °C / 23–104 °F
Akun lataaminen	-5–40 °C / 41–104 °F

Akun tila

Näyttö osoittaa akun varaustason ja mahdolliset akkuun liittyvät ongelmat.

(Kuva 41)

Akku



VAROITUS: Lue ja sisäistä turvallisuutta käsittelevä luku ennen akun

LED-merkkivalo	Akun varaustila	
	BLi10, BLi20	40-B70, 40-B140
4 merkkivaloa palaa	–	Akun varaustaso on 76–100 %.
3 merkkivaloa palaa	Akun varaustaso on 76–100 %.	Akun varaustaso on 51–75 %.
2 merkkivaloa palaa	Akun varaustaso on 51–75 %.	Akun varaustaso on 26–50 %.
1 merkkivalo palaa	Akun varaustaso on 26–50 %.	Akun varaustaso on 6–25 %.
1 merkkivalo vilkkuu	Akun varaustaso on 0–25 %.	Akun varaustaso on 0–5%.

Akun lataaminen

Lataa akku, jos sitä käytetään ensimmäisen kerran. Uuden akun varaus on vain 30 %.



HUOMAUTUS: Liitä laturi pistorasiaan, jonka jännite ja taajuus ovat tyyppikiilven mukaisia.

Akku ei lataudu, jos akun lämpötila on yli 50 °C / 122 °F.

1. Kytke virtajohto akkulaturiin.
2. Liitä akkulaturi maadoitettuun pistorasiaan. Latauksen merkkivalo vilkkuu kerran. (Kuva 42)
3. Kytke akku akkulaturiin. Latauksen merkkivalo syttyy. Lataa akkua enintään 24 tuntia. (Kuva 43)
4. Paina akun merkkivalopainiketta. Jos kaikki merkkivalot syttyvät, akku on ladattu täyteen.
5. Irrota laturi pistorasiasta vetämällä sähköpistokkeesta. Älä vedä virtajohdosta.
6. Irrota akku akkulaturista.

Akun kiinnittäminen laitteeseen



VAROITUS: Käytä laitteessa vain alkuperäistä Husqvarna-akkua.

1. Lataa akku täyteen.
2. Paina akku laitteen akun pidikkeeseen. Akku lukittuu paikalleen, kun kuulet napsahduksen. (Kuva 44)



HUOMAUTUS: Jos akku ei siirry pidikkeeseen helposti, sitä ei ole asennettu oikein pidikkeeseen. Se voi vaurioittaa konetta.

Laitteen käynnistäminen

1. Paina käynnistys-/pysäytyspainiketta, kunnes vihreä merkkivalo syttyy. (Kuva 45)
2. Paina käyttöliipaisimen varmistinta ja käyttöliipaisinta. Terälaite alkaa pyöriä.

Kaarikahvan ja teleskooppivarren säätäminen

1. Avaa lukituskahva ja säädä kaarikahva oikeaan asentoon. (Kuva 46)
2. Sulje lukituskahva.
3. Irrota runkoputken vipu. (Kuva 47)
4. Aseta runkoputken pituus. Varmista, että näet kolmion runkoputkessa. (Kuva 48)
5. Sulje vipu ja kiristä ruuvi.

Huomautus: Älä kiinnitä kaarikahvaa runkoputkessa olevien varoituskilpien päälle.

SavE-toiminnon käyttäminen

Tässä laitteessa on virransäästötoiminto, SavE.

Huomautus: SavE-toiminto ei vähennä laitteen leikkuutehoa.

1. Paina näppäimistön SavE-painiketta.
2. Varmista, että vihreä merkkivalo syttyy.
3. Sammuta toiminto painamalla SavE-painiketta uudelleen. Vihreä merkkivalo sammuu. (Kuva 49)

Automaattinen sammutustoiminto

Laitteessa on pysäytystoiminto, joka pysäyttää laitteen, kun laitetta ei käytetä. Vihreä virran merkkivalo sammuu, ja laite pysähtyy kolmen minuutin kuluttua.

Laitteen käyttö

Ruohon leikkaaminen

1. Varmista, että muoviterät tai siima liikkuvat maanpinnan suuntaisesti, kun leikkaat ruohoa. (Kuva 50)
2. Älä paina Tri-Cut-teriä tai siimapäätä maata vasten. Se voi vaurioittaa laitetta.

Huomautus: Alhainen ympäristön lämpötila (lähellä 0 °C) voi vaurioittaa teriä tai siimaa.

3. Liikuta laitetta puolelta toiselle, kun leikkaat ruohoa. (Kuva 51)

Huomautus: Älä käytä tuotetta, jossa on vaurioitunut terälaitte. Vaurioitunut terälaitte

voi asettaa tuotteen epätasapainoon, mikä voi vaurioittaa tuotetta.

Ruohon lakaiseminen

Leikatun ruohon voi poistaa alueelta pyörievien muoviterien tai trimmerin siiman aiheuttaman ilmajarran avulla.

1. Pidä siimapäätä, muoviteriä tai siimaa maan suuntaisesti maan yläpuolella.
2. Käytä täyttä nopeutta.
3. Lakaise ruoho liikuttamalla terälaitetta puolelta toiselle.



VAROITUS: Puhdista terälaitteen suojus aina, kun asennat uudet muoviterät tai siiman, epätasapainon ja kahvojen tärinän estämiseksi. Tarkista myös muut terälaitteen osat ja puhdista ne tarvittaessa.

Esineiden lähellä leikkaaminen

1. Vedä kasvisuoja alas. (Kuva 52)
2. Kasvisuojan käyttäminen auttaa estämään esineiden vahingoittumisen. (Kuva 53)

Laitteen pysäyttäminen

1. Vapauta käyttöliipaisin ja käyttöliipaisimen varmistin.
2. Paina käynnistys-/pysäytyspainiketta, kunnes vihreä merkkivalo sammuu.
3. Paina akun vapautuspainiketta ja irrota akku laitteesta. (Kuva 54)

Muoviterien tai siiman vaihtaminen

Katso käyttöohjeen viimeinen sivu.

Huolto

Johdanto



VAROITUS: Lue ja sisäistä turvallisuutta käsittelevä luku ennen laitteen huoltamista.

Huoltokaavio



VAROITUS: Irrota akku ennen huoltotoimia.

Alla on luettelo tuotteelle tehtävistä huoltotoimista. Lisätietoja on kohdassa *Tuotteen kuvaus sivulla 146*.

Huolto	Päivittäin	Viikoittain	Kuukausittain
Puhdista laitteen ulko-osat kuivalla liinalla. Älä käytä vettä.	X		
Varmista, että käynnistys-/pysäytyspainike on ehjä ja toimii asianmukaisesti.	X		

Huolto	Päivittäin	Viikoittain	Kuukausittain
Varmista, että käyttöliipaisin ja sen varmistin toimivat asianmukaisesti turvallisuuksia ajatellen.	X		
Varmista, että kahvat ovat kuivat ja puhtaat.	X		
Varmista, että terälaitteen suojus ei ole vaurioitunut. Vaihda terälaitteen suojus, jos se on vaurioitunut.	X		
Varmista, että kahva ja kahvasto eivät ole vaurioituneet ja että ne on kiinnitetty oikein.	X		
Tarkista teleskooppivarren lukitusmekanismi. katso kohta <i>Teleskooppivarren lukitusmekanismin tarkistaminen sivulla 156.</i>	X		
Tarkista, että laturi on ehjä ja toimii asianmukaisesti.	X		
Varmista, ettei akku ole vaurioitunut.	X		
Varmista, että akku on ladattu.	X		
Varmista, että akkulaturi ei ole vaurioitunut.	X		
Varmista, että kaikki tuotteen ulkopuolella oleva ruuvit ja mutterit on kiristetty.		X	
Varmista, että akun vapautuspainikkeet toimivat oikein ja lukitse akku laitteeseen.		X	
Tarkista, että siimapään kelassa on rasvaa.		X	
Tarkista ja puhdista akun ja tuotteen väliset kytkennät.			X
Tarkista ja puhdista akun ja laturin välinen kytkentä.			X

Akun ja akkulaturin tarkistaminen

1. Tarkista akku vaurioiden, kuten halkeamien, varalta.
2. Tarkista akkulaturi vaurioiden, kuten halkeamien, varalta.
3. Varmista, että akkulaturin johto ei ole vaurioitunut ja ettei siinä ole murtumia.

Laitteen, akun ja akkulaturin puhdistaminen

1. Puhdista laite käytön jälkeen kuivalla liinalla.
2. Puhdista akku ja akkulaturi kuivalla liinalla. Pidä akun ohjauskiskot puhtaina.
3. Varmista, että akun ja akkulaturin liittimet ovat puhtaat ennen kuin akku asetetaan akkulaturiin tai laitteeseen.

Tri-Cut-terälaitteen tarkistaminen ja vaihtaminen

1. Tarkista, onko Tri-Cut-terälaitteessa vaurioita tai halkeamia.
2. Irrota Tri-Cut. *Katso käyttöoppaan viimeisen sivun kohta Tri-Cut-terälaitteen irrottaminen.*
3. Asenna Tri-Cut. Katso kohta *Terälaitteen vaihtaminen sivulla 153.*

Teleskooppivarren lukitusmekanismin tarkistaminen

1. Tarkista teleskooppivarren lukitusmekanismi.
2. Säädä kiristysmomenttia. (Kuva 55)

Vianmääritys

Näppäimistö

Merkkivalot	Mahdolliset viat	Mahdolliset ratkaisut
Vian merkkivalo vilkkuu.	Ylikuormitus	Terälaite ei pääse liikkumaan vapaasti. Vapauta terälaite.
	Lämpötilavaihtelu	Anna laitteen jäähtyä.

Merkkivalot	Mahdolliset viat	Mahdolliset ratkaisut
Laite ei käynnisty.	Paina käyttöliipaisinta ja käynnistin-painiketta samanaikaisesti.	Vapauta käyttöliipaisin ja pysäytä laite.
Vian merkkivalo syttyy punaisena.	Laite tarvitsee huoltoa.	Ota yhteyttä huoltoliikkeeseen.

Akku

LED-näyttö	Mahdolliset viat	Mahdolliset toimenpiteet
Vihreä merkkivalo vilkkuu	Matala akun jännite.	Lataa akku.
Vian merkkivalo vilkkuu.	Lämpötilavaihtelu.	Käytä akkua -10-40 °C:n lämpötilassa.
	Liian korkea jännite.	Varmista, että verkkojännite vastaa laitteen kiinnitetyssä arvokilvessä ilmoitettua jännitettä. Irrota akku akkulaturista.
Vian merkkivalo palaa.	Akkukennoston väli liian suuri (1 V).	Ota yhteyttä huoltoliikkeeseen.

Akkulaturi

Ongelma	Mahdolliset viat	Mahdollinen ratkaisu
Latauksen merkkivalo palaa punaisena.	Pysyvä akkulaturin virhe.	Ota yhteyttä jälleenmyyjään.
Latauksen merkkivalo vilkkuu vihreänä.	Lämpötilavaihtelu, akku on liian kylmä tai kuuma käytettäväksi tai ladattavaksi.	Anna akun jäähtyä tai lämmetä. Kun akun lämpötila on oikea, sitä voi käyttää tai sen voi ladata. Käytä akkulaturia 5-40 °C:n lämpötilassa.
Latauksen merkkivalo vilkkuu punaisena.	Viallinen akku.	Ota yhteyttä jälleenmyyjään.

Kuljettaminen, säilyttäminen ja hävittäminen

Kuljetus ja säilytys

- Mukana tulleet litiumioniakut ovat vaarallisten aineiden lainsäädännön määräysten mukaisia.
- Pakkauksessa ja etiketissä olevia kaupallista tavarakuljetusta koskevia erityismääräyksiä on noudatettava, myös kolmansien osapuolten tai huoltisijoiden järjestämässä tavarakuljetuksessa.
- Keskustele erityiskoulutuksen saaneen vaarallisten aineiden asiantuntijan kanssa ennen tuotteen lähettämistä. Noudata kaikkia kansallisia määräyksiä.
- Teippaa paljaat liittimet pakatessasi akun. Aseta akku pakettiin tiukasti niin, ettei se pääse liikkumaan.
- Irrota akku varastoinnin tai kuljetuksen ajaksi.
- Säilytä akkua ja akkulaturia kuivassa paikassa, johon ei pääse kosteutta tai huurretta.
- Älä säilytä akkua paikassa, jossa on staattista sähköä. Älä säilytä akkua metallilaatikossa.
- Säilytä akkua tilassa, jossa lämpötila on 5-25° C ja jossa se ei ole suorassa auringonvalossa.
- Säilytä akkulaturia tilassa, jossa lämpötila on 5-45° C ja jossa se ei ole suorassa auringonvalossa.

- Käytä akkulatoria ainoastaan 5–40 °C:n lämpötilassa.
- Lataa akku ennen pitkäaikaista säilytystä niin, että sen varaustaso on 30–50 prosenttia.
- Säilytä akkua kuivassa ja suljetussa tilassa.
- Pidä akku erillään akkulatorista varastoinnin aikana. Älä anna lasten tai asiaankuulumattomien henkilöiden koskea laitteeseen. Säilytä laitetta lukollisessa tilassa.
- Puhdista ja huolla laite huolellisesti ennen pitkäaikaista säilytystä.
- Käytä kuljetusjousta kuljetuksen ja varastoinnin aikana vaurioiden ja vammojen välttämiseksi.

- Kiinnitä laite hyvin kuljetuksen ajaksi.

Akun, akkulatorin ja laitteen hävittäminen

Laitteessa tai sen pakkauksessa olevat symbolit osoittavat, ettei laitetta saa hävittää kotitalousjätteen mukana. Vie se asianmukaiseen sähkö- ja elektroniikkalaitteiden keräyspisteeseen. Tämä auttaa estämään sekä ympäristö- että henkilövahinkoja.

Lisätietoja laitteen kierrätyksestä saat paikallisilta viranomaisilta, kotitalousjätepalvelulta tai jälleenmyyjältä.

Tekniset tiedot

Tekniset tiedot

	215IL-TC
Moottori	
Moottorityyppi	BLDC
Käyttöakselin pyörimisnopeus, r/min	6 800
Leikkuuleveys, mm	255
Paino	
Paino ilman akkua, kg	2,9
Melupäästöt ²⁵	
Äänentehotaso, mitattu dB(A)	90,8
Äänentehotaso, taattu L _{WA} dB(A)	93
Äänitasot ²⁶	
Äänenpainetaso käyttäjän korvan tasalla mitattuna standardin EN IEC 62841-4-4 mukaan, dB (A)	81,3
Tärinätasot ²⁷	
Kahvojen tärinätasot standardin IEC 62841-4-4 mukaan mitattuna, m/s ²	3,0 / 2,7
Varusteena siimapää (alkuperäinen), edessä/takana.	

²⁵ Melupäästö ympäristöön äänitehona (L_{WA}) EY-direktiivin 2000/14/EY mukaisesti mitattuna. Taatun ja mitatun äänentehon erona on se, että taattu äänenteho sisältää myös mitatun tuloksen hajonnan ja vaihtelun saman mallin eri laitteiden välillä direktiivin 2000/14/EY mukaisesti.

²⁶ Ilmoitetuilla tiedoilla vastaavan laitteen äänenpainetason tyypillinen tilastollinen hajonta (vakiopoikkeama) on 3 dB (A).

²⁷ Ilmoitettujen tärinätasotietojen tyypillinen tilastollinen hajonta (vakiopoikkeama) on 1,5 m/s².

Laitteeseen hyväksytyt akut

Akku	BLi10	BLi20	40-B70	40-B140
Tyyppi	Litiumioni	Litiumioni	Litiumioni	Litiumioni
Akun kapasiteetti, Ah	Katso akun tyyppikilpi		Katso akun tyyppikilpi	Katso akun tyyppikilpi
Nimellisjännite, V	36	36,5	36	36
Paino, lb/kg	0,7	0,7	1,2	1,25

Laitteeseen hyväksytyt akkulaturit

Akkulaturi	QC80	40-C80
Verkkovirta, V	100–240	100–240
Taajuus, Hz	50–60	50–60
Teho, W	100	72
Lähtöjännite, V, tasavirta ampeeria, A	36/2	43/1,6

Lisävarusteet

Hyväksytyt lisävarusteet

Hyväksytyt lisävarusteet	Tyyppi	Terävarustuksen suojus, Tuotenro
Siimapää	R25B (Ø 2 mm:n siima)	529 96 69-01
Siimapää	Tri-Cut B (255 mm)	529 96 69-01

Vaatimustenmukaisuusvakuutus

EU-vaatimustenmukaisuusvakuutus

Husqvarna AB, SE-561 82 Huskvarna, Ruotsi, puh. +46
36 146500, vakuuttaa täten, että tuote:

Kuvaus	Akkukäyttöinen trimmeri
Tuotemerkki	Husqvarna
Tyyppi/malli	215iL-TC
Tunniste	Sarjanumerot vuodesta 2025 alkaen

vastaavat täysin seuraavien EU:n direktiivien ja
asetusten vaatimuksia:

Direktiivi/Asetus	Kuvaus
2006/42/EC	konedirektiivi
2014/30/EU	EMC-direktiivi
2000/14/EC	Melupäästädirektiivi
2011/65/EU	Direktiivi tiettyjen vaarallisten aineiden käytön rajoittamisesta sähkö- ja elektroniikkalaitteissa

ja että asiassa sovelletaan seuraavia standardeja
ja/tai teknisiä tietoja: EN 62841-1:2015+A11:2022,
IEC 62841-4-4:2020, EN ISO 12100:2010, EN
IEC 63000:2018, EN IEC 55014-1:2021; EN IEC
55014-2:2021.

Ilmoitettu tarkastuslaitos: 0036 TÜV SÜD
Industrie Service GmbH, Westendstraße199,80686
München,Germany vakuuttaa yhdenmukaisuuden
neuvoston direktiivin 2000/14/EY mukaisesti,
vaatimustenmukaisuuden arviointimenettely: liite VI.

Katso lisätietoja melupäästöistä osiosta *Tekniset tiedot*
sivulla 158.

Huskvarna, 2025-01-10



Claes Losdal, tuotekehityspäällikkö, Husqvarna AB
Teknisestä dokumentaatiosta vastaava edustaja



Sommaire

Introduction.....	161	Transport, entreposage et mise au rebut.....	175
Sécurité.....	162	Caractéristiques techniques.....	175
Montage.....	169	Accessoires.....	177
Utilisation.....	170	Déclaration de conformité.....	178
Entretien.....	172	Annexe	478
Dépannage.....	174		

Introduction

Description du produit

Le Husqvarna 215iL-TC est un coupe-herbe sur batterie équipé d'un moteur électrique.

Nous travaillons en permanence à l'amélioration de votre sécurité et de votre efficacité pendant l'utilisation. Pour davantage d'informations, contactez votre atelier d'entretien.

Utilisation prévue

Le produit est utilisé avec des lames en plastique non métallique. N'utilisez pas ce produit pour d'autres tâches

Aperçu du produit

(Fig. 1)

1. Tête de désherbage Tri-Cut
2. Protection de l'accessoire de coupe
3. Arbre
4. Réglage de l'arbre (télescopique)
5. Poignée en anneau
6. Clavier
7. Témoin d'avertissement du clavier
8. Bouton marche/arrêt
9. Bouton SavE
10. Gâchette de puissance
11. Blocage de la gâchette de puissance
12. Témoin de mise sous tension et avertisseur
13. Connecteur
14. Chargeur de batterie 40-C80
15. Étrier de protection des plantes
16. Témoin d'avertissement de la batterie
17. État de la batterie
18. Indicateur de batterie
19. Boutons de libération de la batterie
20. Batterie
21. Outil multi-usage
22. Disque d'entraînement
23. Manuel d'utilisation

que la coupe de mauvaises herbes, d'herbe ou d'autres végétaux fins similaires.

Remarque: La législation nationale peut imposer des limites à l'utilisation du produit.

Utilisez uniquement le produit avec des accessoires approuvés par le fabricant. Reportez-vous à la section *Accessoires à la page 177*.

Symboles concernant le produit

- (Fig. 2) **AVERTISSEMENT :** ce produit peut être dangereux et causer des blessures graves, voire mortelles, à l'opérateur ou à d'autres personnes. soyez prudent et utilisez le produit correctement.
- (Fig. 3) Lisez attentivement le manuel d'utilisation et assurez-vous de bien comprendre les instructions avant utilisation.
- (Fig. 4) Portez des protections pour les yeux et les oreilles.
- (Fig. 5) Ne les exposez pas à la pluie.
- (Fig. 6) Étiquette relative aux émissions sonores dans l'environnement conforme aux directives et réglementations de l'UE et du Royaume-Uni (y compris la législation de la Nouvelle-Galles du Sud). Les données relatives aux émissions sonores figurent sur l'étiquette de la machine et dans le chapitre Caractéristiques techniques. Applicable uniquement lorsque le produit est équipé d'un fil de coupe.
- (Fig. 7) Prenez garde aux projections d'objets.

(Fig. 8) Débranchez la batterie avant l'entretien.

(Fig. 9) Le produit ou son emballage ne font pas partie des ordures ménagères. Déposez-le dans une station de recyclage pour équipements électriques et électroniques.

(Fig. 10) Le produit est conforme aux directives européennes en vigueur.

(Fig. 16) La distance entre la machine et les personnes à proximité doit être d'au moins 15 m (50 pi).

(Fig. 17) N'utilisez pas de lames métalliques.

yyyywwxxxxx

La plaque signalétique ou l'impression au laser indiquent le numéro de série. **yyyy** désigne l'année de production et **ww** la semaine de production.

(Fig. 11) Ce produit est conforme aux réglementations en vigueur au Royaume-Uni.

(Fig. 12) Courant continu.

Symboles sur la batterie et/ou son chargeur

(Fig. 18) Déposez ce produit dans une station de recyclage pour équipements électriques et électroniques. (Concerne seulement l'Europe)

(Fig. 13) Transformateur à sécurité intégrée.

(Fig. 14) Utilisez et stockez le chargeur de batterie en intérieur uniquement.

(Fig. 15) Double isolation.

Symboles de conformité



Ce produit est conforme aux directives applicables du décret français n° 2014-1577. Ne jetez pas ce produit dans les déchets ménagers. Il doit être mis au rebut conformément aux réglementations environnementales locales en vigueur.

Endommagement du produit

Nous ne sommes pas responsables des dommages subis par le produit si :

- le produit n'est pas correctement réparé ;
- le produit est réparé avec des pièces qui ne proviennent pas du fabricant ou qui ne sont pas homologuées par le fabricant ;
- le produit est équipé d'un accessoire qui ne provient pas du fabricant ou qui n'est pas homologué par le fabricant ;
- le produit n'est pas réparé par un centre d'entretien agréé ou par une autorité homologuée.

Sécurité

Définitions de sécurité

Des avertissements, des recommandations et des remarques sont utilisés pour souligner des parties spécialement importantes du manuel.



AVERTISSEMENT: Symbole utilisé en cas de risque de blessures ou de mort pour l'opérateur ou les personnes à

proximité si les instructions du manuel ne sont pas respectées.



REMARQUE: Symbole utilisé en cas de risque de dommages pour le produit, d'autres matériaux ou les environs si les instructions du manuel ne sont pas respectées.

Remarque: Symbole utilisé pour donner des informations supplémentaires pour une situation donnée.

Avertissements généraux relatifs à la sécurité de la machine



AVERTISSEMENT: Prenez connaissance de l'ensemble des avertissements, consignes, illustrations et spécifications relatifs à la sécurité fournis avec cette machine. *Le non-respect des consignes énumérées ci-dessous peut être à l'origine d'un choc électrique, d'un incendie et/ou de blessures graves.*

Conservez tous les avertissements et toutes les instructions pour consultation ultérieure.

Remarque: *Le terme « machine » utilisé dans les avertissements se rapporte à votre machine sur secteur (filaire) ou à votre machine alimentée par batterie (sans fil).*

Sécurité dans la zone de travail

- **Maintenez une zone de travail propre et bien éclairée.** Les espaces encombrés ou sombres exposent à des accidents.
- **N'utilisez pas la machine dans un environnement explosif, dans lequel se trouvent des liquides inflammables, des gaz ou des poussières.** Les machines créent des étincelles qui peuvent provoquer l'inflammation de la poussière ou des vapeurs.
- **Maintenez les enfants et autres personnes à distance pendant le fonctionnement de la machine.** Les distractions peuvent être la cause d'une perte de contrôle de la machine.

Sécurité électrique

- **La fiche de la machine doit être adaptée à la prise de courant. N'apportez jamais de modifications à la fiche. N'utilisez pas de fiches adaptatrices avec des machines mises à la terre.** Des fiches non modifiées et des prises compatibles réduiront le risque d'électrocution.
- **Évitez tout contact physique avec les surfaces mises à la terre telles que les tuyaux, les radiateurs, les cuisinières et les réfrigérateurs.** Le risque d'électrocution est plus important si le corps est relié à la terre.
- **N'exposez pas les machines à la pluie ou à l'humidité.** La pénétration d'eau à l'intérieur de la machine augmente le risque de choc électrique.
- **Ne malmenez pas le cordon. N'utilisez jamais le cordon d'alimentation pour porter, tirer ou débrancher la machine. Maintenez le cordon**

d'alimentation à l'écart de la chaleur, de l'huile, de bords tranchants ou de pièces en mouvement. Les cordons endommagés ou emmêlés augmentent le risque d'électrocution.

- **Lors du fonctionnement de la machine en extérieur, utilisez une rallonge appropriée pour une utilisation extérieure.** L'utilisation d'une rallonge prévue pour un usage en extérieur réduit le risque d'électrocution.
- **Si vous n'avez pas d'autre choix que d'utiliser la machine dans un endroit humide, utilisez une alimentation protégée par un disjoncteur différentiel de fuite à la terre (RCD).** L'utilisation d'un RCD réduit le risque de choc électrique.

Sécurité du personnel

- **Soyez attentif, restez concentré sur le travail en cours et utilisez la machine de manière raisonnable. N'utilisez pas la machine si vous êtes fatigué ou sous l'influence de drogues, d'alcool ou de médicaments.** Il suffit d'un moment d'inattention pendant le fonctionnement de la machine pour se blesser gravement.
- **Utilisez un équipement de protection individuel. Travaillez toujours avec des protections pour les yeux.** Les équipements de protection tels que les masques anti-poussière, les chaussures de sécurité antidérapantes, le casque ou les protège-oreilles utilisés dans les conditions appropriées réduisent les blessures corporelles.
- **Évitez tout démarrage intempestif. Assurez-vous que l'interrupteur est en position d'arrêt avant de brancher l'alimentation électrique et/ou le bloc de batteries, de saisir la machine ou de la transporter.** Il est dangereux de porter la machine en conservant le doigt sur l'interrupteur ou de brancher la machine à l'alimentation électrique alors que l'interrupteur est en position marche.
- **Retirez tout outil de réglage ou clé avant d'allumer la machine.** Un outil ou une clé relié à une pièce rotative de la machine peut causer des blessures.
- **Ne vous penchez pas trop loin. Restez toujours en équilibre et sur vos appuis.** Cela permet de mieux contrôler la machine dans des situations inattendues.
- **Habilitez-vous correctement. Ne portez jamais de vêtements amples ou de bijoux. Éloignez vos cheveux et vos vêtements des pièces mobiles.** Les vêtements amples, les bijoux et les cheveux longs peuvent rester coincés dans les pièces mobiles.
- **Si des dispositifs sont fournis pour raccorder des systèmes de collecte de la poussière et d'aspirateur industriel, vérifiez qu'ils sont correctement branchés et utilisés.** L'utilisation de systèmes d'aspirateurs peut réduire les risques associés à la poussière.
- **Ne vous donnez pas un faux sentiment de sécurité et ne passez pas outre les règles de sécurité des machines, même si vous êtes déjà familiarisé avec la machine après l'avoir beaucoup utilisée.** Une manipulation inattentive peut entraîner de graves blessures en une fraction de seconde.

Utilisation et entretien de la machine

- **Ne forcez pas en utilisant la machine. Utilisez la machine adaptée à votre travail.** La machine appropriée permettra de mieux réaliser la tâche, de manière plus sûre, au régime prévu.
- **N'utilisez pas la machine si l'interrupteur ne permet pas la mise sous tension et l'arrêt.** Toute machine qui ne peut pas être contrôlée par son interrupteur est dangereuse et doit être réparée.
- **Débranchez la fiche de la prise et/ou retirez la batterie, si celle-ci est amovible, avant de procéder aux réglages, de changer d'accessoires ou de ranger la machine.** De telles mesures préventives réduisent le risque de démarrage accidentel de la machine.
- **Rangez les machines non utilisées hors de portée des enfants. N'autorisez pas des personnes qui n'ont pas lu ces instructions et ne sont pas familières avec l'utilisation de la machine à se servir de celle-ci.** Les machines sont dangereuses entre les mains de personnes inexpérimentées.
- **Entretenez les machines et les accessoires. Vérifiez que les pièces mobiles sont correctement alignées et ne coincent pas, qu'aucune pièce n'est cassée, et contrôlez l'absence de toute autre situation susceptible d'altérer le fonctionnement de la machine. En cas de dommages, faites réparer la machine avant de l'utiliser.** De nombreux accidents résultent d'un mauvais entretien des machines.
- **Maintenez les outils tranchants aiguisés et propres.** Des machines de coupe correctement entretenues, avec des bords tranchants aiguisés, sont moins susceptibles de se coincer et sont plus faciles à contrôler.
- **Utilisez la machine, les accessoires et les embouts, etc. conformément à ces instructions, en tenant compte des conditions de travail et de la tâche à réaliser.** L'utilisation de la machine pour des applications différentes de celles pour lesquelles elle a été conçue peut être la cause d'une situation dangereuse.
- **Les poignées et les surfaces de maintien doivent toujours être propres, sèches et sans traces d'huile ni de graisse.** Des poignées et surfaces de poignée glissantes ne permettent pas une utilisation et un contrôle sûrs de la machine en cas de situation imprévue.

Utilisation et entretien d'une machine à batterie

- **Ne rechargez la machine qu'avec le chargeur indiqué par le fabricant.** Un chargeur convenant à un type de bloc de batteries particulier peut entraîner un risque d'incendie s'il est utilisé avec un autre bloc.
- **Utilisez uniquement les batteries prévues à cet effet dans les machines.** L'utilisation d'une autre batterie peut entraîner un risque de blessure et d'incendie.
- **Lorsque la batterie n'est pas utilisée, maintenez-la à distance d'objets métalliques, tels que des**

trombones, pièces de monnaie, clés, clous, vis, ou autres petits objets en métal risquant de relier une borne à l'autre. Court-circuiter les bornes de batterie entraîne un risque de brûlures et d'incendie.

- **En cas d'utilisation abusive, du liquide peut s'échapper de la batterie ; évitez tout contact. En cas de contact accidentel, rincez à l'eau. En cas de contact avec les yeux, consultez un médecin.** Le liquide échappé de la batterie peut causer irritations et brûlures.
- **N'utilisez pas une batterie ou une machine endommagée ou altérée.** Les batteries endommagées ou altérées peuvent présenter un comportement imprévisible pouvant provoquer un incendie, une explosion ou un risque de blessure.
- **N'exposez pas une batterie ou une machine au feu ou à des températures trop élevées.** L'exposition au feu ou à des températures supérieures à 130 °C / 265 °F peut provoquer une explosion.
- **Respectez toutes les instructions de charge et ne chargez pas la batterie ou la machine en dehors de la plage de température spécifiée dans les instructions.** Ne pas charger la batterie correctement ou la charger à des températures comprises en dehors de la plage spécifiée peut endommager la batterie et augmenter le risque d'incendie.

Entretien

- **Confiez la réparation de votre machine à du personnel spécialisé et qualifié qui utilisera uniquement des pièces de rechange d'origine.** Cela garantit le maintien de la sécurité de la machine.
- **N'entretenez jamais des batteries endommagées.** L'entretien des batteries doit être effectué uniquement par le fabricant ou des fournisseurs de services agréés.

Consignes de sécurité concernant le coupe-bordures

- **N'utilisez pas la machine par mauvais temps, en particulier lorsqu'il y a un risque de foudre.** Cela permet de réduire le risque d'être frappé par la foudre.
- **Inspectez soigneusement la zone où la machine doit être utilisée, afin de repérer la faune éventuelle.** En effet, elle peut être blessée par la machine pendant son fonctionnement.
- **Inspectez attentivement la zone où la machine doit être utilisée et retirez toutes les pierres, les bouts de bois, les câbles, les os et autres corps étrangers.** Les objets projetés peuvent entraîner des blessures.
- **Avant d'utiliser la machine, effectuez toujours une inspection visuelle pour vérifier que la lame ou l'ensemble lame n'est pas endommagé.** L'utilisation de pièces endommagées augmente le risque de blessure.
- **Suivez les instructions relatives au changement des accessoires.** Des écrous ou boulons de fixation de

lame mal serrés peuvent endommager la lame, ou la lame peut se détacher.

- **Portez une protection pour les yeux, les oreilles, la tête et les mains.** Un équipement de protection approprié réduit les blessures causées par la projection de débris ou un contact accidentel avec les fils ou les systèmes de coupe.
- **Lors de l'utilisation de la machine, portez toujours des chaussures de protection antidérapantes. N'utilisez pas la machine si vous êtes pieds nus ou si vous portez des sandales.** Cela réduit le risque de blessure aux pieds en cas de contact avec les fils ou les systèmes de coupe en mouvement.
- **Lorsque vous utilisez la machine, portez toujours un pantalon.** Le risque de blessures dues à la projection d'objets est plus grand lorsque la peau est exposée.
- **Maintenez les enfants et autres personnes présentes à l'écart pendant l'utilisation de la machine.** Les projections de débris peuvent causer de graves blessures.
- **Utilisez toujours la machine avec les deux mains.** Tenez la machine avec les deux mains pour ne pas risquer de perdre le contrôle.
- **Tenez la machine uniquement par les surfaces de préhension isolées, car la lame ou le fil de coupe pourrait entrer en contact avec du câblage non apparent.** Si le fil de coupe ou les lames touchent un câble sous tension, cela risque de mettre également sous tension les parties métalliques exposées de la machine, ce qui pourrait envoyer un choc électrique à l'utilisateur.
- **Gardez toujours un bon équilibre et utilisez la machine uniquement lorsqu'elle est au sol.** Sur une surface glissante ou instable, vous pourriez perdre l'équilibre ou le contrôle de la machine.
- **Évitez d'utiliser la machine sur des pentes trop raides.** Vous limitez ainsi le risque de perte de contrôle, de glissade et de chute, sources de blessures éventuelles.
- **Lorsque vous travaillez sur une pente, veillez toujours à garder l'équilibre, en tondant l'herbe latéralement et non verticalement. Soyez prudent lorsque vous changez de direction.** Vous limitez ainsi le risque de perte de contrôle, de glissade et de chute, sources de blessures éventuelles.
- **Maintenez toutes les parties du corps à l'écart du fil de coupe ou de la lame lorsque la machine est en marche. Avant de démarrer la machine, assurez-vous que le fil de coupe ou la lame n'est en contact avec aucun objet.** Un moment d'inattention pendant l'utilisation de la machine peut entraîner des blessures pour vous-même ou pour d'autres personnes.
- **N'utilisez pas la machine au-dessus de la taille.** Cela permet de réduire les contacts accidentels avec la lame et de mieux contrôler la machine en cas de situations inattendues.
- **Lorsque vous coupez des broussailles ou des arbrisseaux en tension, faites attention à l'effet de rebond.** Lorsque la tension des fibres du bois est

libérée, la broussaille ou l'arbrisseau peut vous frapper ou faire dévier la machine.

- **Soyez extrêmement prudent lorsque vous coupez des broussailles ou de jeunes arbres.** Les branches minces peuvent bloquer la lame, vous fouetter ou vous déséquilibrer.
- **Gardez le contrôle de la machine et ne touchez pas les fils de coupe ou les lames et autres pièces mobiles dangereuses lorsqu'elles sont en mouvement.** Vous réduisez ainsi le risque de blessures dues aux pièces mobiles.
- **Éteignez la machine si vous voulez la transporter et éloignez-la de votre corps.** Une manipulation correcte de la machine réduit le risque de contact accidentel avec la lame ou le fil de coupe en mouvement.
- **Utilisez uniquement des fils de coupe, des têtes de coupe et des lames de rechange spécifiés par le fabricant.** Des pièces de rechange incorrectes peuvent augmenter le risque de rupture et de blessure.
- **Avant de dégager des débris coincés ou de procéder à l'entretien de la machine, assurez-vous que l'interrupteur d'alimentation est en position d'arrêt et que la batterie est retirée.** Un démarrage inattendu de la machine lorsque vous dégagez les débris végétaux coincés ou que vous procédez à l'entretien peut entraîner de graves blessures.

Contrôles avant la mise en marche

- Retirez toujours la batterie afin d'éviter tout démarrage accidentel du produit. Retirez toujours la batterie avant toute opération d'entretien sur le produit.
- En cas d'impact, vérifiez que le produit ne présente ni signe d'usure ni dommage et procédez aux réparations éventuellement nécessaires avant de l'utiliser à nouveau.
- Inspecter la zone de travail. Retirez tous les objets tels que les pierres, les morceaux de verre, les clous, les fils de fer, les bouts de ficelle, etc. pouvant être projetés ou risquant de s'enrouler autour de la lame ou de sa protection.
- Vérifiez que le moteur ne présente ni fissures ni poussière. Retirez l'herbe et les feuilles coincées dans le moteur à l'aide d'une brosse. Au besoin, utilisez des gants.
- Vérifiez que la tête de désherbage est parfaitement attachée au coupe-bordures.
- Vérifiez que le produit est en parfait état d'utilisation. Contrôler que tous les écrous et boulons sont correctement serrés.
- Contrôlez la tête de désherbage et la protection de l'accessoire de coupe afin de détecter d'éventuels dommages ou fissures. Remplacez la tête de désherbage ou la protection de l'accessoire de coupe si l'une ou l'autre a subi des dommages ou présente des fissures. Utilisez toujours la protection recommandée prévue pour l'équipement de coupe utilisé. Voir le chapitre Caractéristiques techniques.

- L'opérateur du produit doit s'assurer qu'aucune personne ou aucun animal ne s'approche à moins de 15 mètres pendant le travail. Lorsque plusieurs opérateurs travaillent dans une même zone, il convient d'observer une distance de sécurité d'au moins 15 mètres.
- Effectuez une inspection générale du produit avant de l'utiliser. Consultez le programme d'entretien.
- La législation nationale ou locale peut réglementer l'utilisation. Respectez la législation en vigueur.

Utilisez toujours votre bon sens

Il est impossible de prévoir toutes les situations que vous pouvez rencontrer. Soyez toujours prudent et utilisez votre bon sens. Évitez les situations que vous n'êtes pas sûr de maîtriser. Si, après avoir lu ces instructions, vous n'êtes toujours pas sûr de la procédure à suivre, demandez conseil à un expert avant de poursuivre.



AVERTISSEMENT: Ne laissez jamais des enfants utiliser la machine ou s'en approcher. Dans la mesure où la machine est facile à démarrer, il est possible que des enfants arrivent à la mettre en route lorsque vous les quittez des yeux. Ceci peut entraîner un risque de graves blessures corporelles. Retirez donc la batterie lorsque vous n'êtes pas en mesure de surveiller la machine de près.

Instructions générales de sécurité



AVERTISSEMENT: lisez les instructions qui suivent avant d'utiliser le produit.

- Retirez la batterie afin d'éviter tout démarrage accidentel du produit.
- Ce produit est un outil dangereux si vous ne faites pas attention ou si vous l'utilisez de manière incorrecte. Ce produit peut causer des blessures graves, voire mortelles, à l'opérateur ou à d'autres personnes.
- N'utilisez pas le produit si ses caractéristiques initiales ont été changées. Ne remplacez pas une pièce du produit sans l'approbation du fabricant. Utilisez uniquement les pièces qui sont approuvées par le fabricant. Un entretien inapproprié peut causer des blessures graves, voire mortelles.
- Effectuez un contrôle du produit avant toute utilisation. Reportez-vous aux sections *Dispositifs de sécurité sur le produit à la page 167* et *Aperçu du produit à la page 161*. N'utilisez pas un produit endommagé ou qui ne fonctionne pas correctement. Appliquez les instructions d'entretien ainsi que les contrôles de sécurité indiqués dans ce manuel.
- Il convient de surveiller les enfants et de les empêcher de jouer avec le produit. Ne laissez jamais

des enfants ou d'autres personnes ne possédant pas la formation requise utiliser ou entretenir le produit et/ou sa batterie. L'âge minimum de l'utilisateur peut être régi par les législations locales.

- Conservez le produit dans un endroit verrouillé afin que des enfants ou personnes qui ne sont pas autorisées à l'utiliser ne puissent pas y avoir accès.
- Rangez le produit hors de portée des enfants.
- Ne modifiez jamais le produit sans l'autorisation du fabricant. Utilisez uniquement des accessoires d'origine. Des modifications non autorisées et/ou l'emploi d'accessoires non homologués peuvent provoquer des accidents graves, voire mortels, à l'utilisateur et d'autres personnes.
- La valeur totale déclarée des vibrations résulte d'une mesure conforme à une méthode d'essai standard et peut être utilisée pour comparer un outil à un autre.
- La valeur totale déclarée des vibrations peut également être utilisée dans le cadre d'une évaluation préliminaire d'exposition.
- Les émissions de vibrations durant l'utilisation de l'outil peuvent différer de la valeur totale déclarée en fonction de la manière dont l'outil est utilisé. En vue de se protéger, les opérateurs doivent établir des mesures de sécurité basées sur une estimation de leur exposition dans les conditions d'utilisation réelles (en tenant compte de toutes les phases du cycle opératoire, par exemple, lorsque l'outil est éteint et lorsqu'il fonctionne en mode ralenti).

Remarque: Les législations nationales ou locales peuvent réglementer l'utilisation de l'appareil. Respectez la législation en vigueur.

Équipement de protection individuel



AVERTISSEMENT: Lisez les instructions qui suivent avant d'utiliser le produit.

- Portez toujours un équipement de protection individuel homologué lorsque vous utilisez le produit. L'équipement de protection individuel ne protège pas complètement des blessures, mais il diminue la gravité des blessures en cas d'accident. Faites appel à votre revendeur pour vous aider à sélectionner l'équipement adéquat.
- Utilisez des protège-oreilles homologués.

(Fig. 19)

- Utilisez des protections pour les yeux homologuées. L'usage d'une visière doit toujours s'accompagner du port de lunettes de protection homologuées. Les lunettes de protection doivent être conformes aux normes ANSI Z87.1 (États-Unis) ou EN 166 (pays de l'UE).

(Fig. 20)

- Portez des gants de protection en cas de besoin, par exemple lorsque vous fixez, examinez ou nettoyez l'équipement de coupe.

(Fig. 21)

- Portez des bottes de protection avec coques de protection en acier et des semelles antidérapantes.

(Fig. 22)

- Portez des vêtements fabriqués dans un matériau résistant. Portez toujours des pantalons longs, épais et des manches longues. Ne portez pas de vêtements amples qui risqueraient de se prendre dans les brindilles et les branches. Ne portez pas de bijoux, de pantalon court ou de sandales. Ne travaillez pas pieds nus. Attachez vos cheveux de façon sécurisée au-dessus de vos épaules.
- Conservez l'équipement de premiers secours à proximité.

(Fig. 23)

Dispositifs de sécurité sur le produit



AVERTISSEMENT: lisez les instructions qui suivent avant d'utiliser le produit.

Cette section présente les fonctions de sécurité, les instructions d'utilisation, de contrôle et d'entretien du produit afin de garantir son bon fonctionnement. Reportez-vous aux instructions ci-dessous *Introduction à la page 161* pour trouver l'emplacement de ces pièces sur votre produit.

La durée de vie du produit risque d'être écourtée et le risque d'accidents accru si l'entretien du produit n'est pas effectué correctement et si les mesures d'entretien et/ou de réparation ne sont pas effectuées de manière professionnelle. Pour plus d'informations, contactez l'atelier de réparation du revendeur le plus proche.



AVERTISSEMENT: N'utilisez jamais un produit dont les équipements de sécurité sont endommagés. Contrôlez et entretenez les équipements de sécurité du produit conformément aux instructions données dans ce chapitre. Si les contrôles du produit ne donnent pas de résultat positif, contactez votre atelier spécialisé pour le faire réparer.



REMARQUE: L'entretien et la réparation de la machine exigent une formation spéciale. Ceci concerne particulièrement l'équipement de sécurité de la machine. Si les contrôles suivants ne donnent pas un résultat positif, adressez-vous à un atelier spécialisé. L'achat de l'un de nos produits offre à l'acheteur la garantie d'un service et de réparations qualifiés. Si le point de vente n'assure pas ce service,

adressez-vous à l'atelier spécialisé le plus proche.

Pour contrôler le clavier

1. Maintenez le bouton marche/arrêt (B) enfoncé. (Fig. 24)
 - a) Le produit est sous tension lorsque la LED (B) est allumée.
 - b) Le produit est hors tension lorsque la LED (B) est éteinte.
2. Consultez *Clavier à la page 174* si le témoin d'avertissement (C) s'allume ou clignote.

Pour contrôler le blocage de la gâchette de puissance

Le blocage de la gâchette de puissance empêche toute activation accidentelle. Lorsque vous appuyez sur le blocage (A), il libère la gâchette de puissance (B). Lorsque vous relâchez la poignée, la gâchette de puissance et son blocage reviennent en position initiale. (Fig. 25)

1. Vérifiez que la gâchette de puissance est verrouillée quand son blocage est en position de repos. (Fig. 26)
2. Appuyez sur la gâchette de puissance et assurez-vous qu'elle retourne à sa position initiale lorsque vous la relâchez. (Fig. 27)
3. Assurez-vous que la gâchette de puissance et le blocage associé se déplacent librement et que le ressort de rappel fonctionne correctement. (Fig. 28)
4. Faites démarrer le produit. Reportez-vous à la section *Pour démarrer le produit à la page 171*.
5. Donner les pleins gaz.
6. Relâchez la gâchette de puissance et assurez-vous que l'équipement de coupe s'arrête complètement.

Pour contrôler la protection de l'équipement de coupe



AVERTISSEMENT: N'utilisez pas un équipement de coupe sans une protection d'équipement de coupe correctement fixée et homologuée. Utilisez toujours la protection d'accessoire de coupe recommandée pour l'accessoire de coupe que vous utilisez, reportez-vous à la section *Caractéristiques techniques à la page 175*. L'installation d'une protection d'accessoire de coupe incorrecte ou défectueuse peut provoquer des blessures graves.

La protection de l'accessoire de coupe permet d'arrêter les objets projetés en direction de l'utilisateur. Elle permet également d'éviter de se blesser si vous touchez l'équipement de coupe.

1. Arrêtez le moteur.

- Réalisez un contrôle visuel pour détecter les dommages, par exemple des fissures.
- Remplacez la protection de l'accessoire de coupe si celle-ci est endommagée.

Équipement de coupe

Sélectionnez un équipement de coupe adéquat et effectuez un entretien régulier de cet équipement pour :

- obtenir la meilleure performance de coupe possible ;
- augmenter la durée de vie de l'équipement de coupe.



AVERTISSEMENT: N'utilisez les accessoires de coupe qu'avec la protection recommandée ! Reportez-vous à la section *Accessoires homologués à la page 177*. Reportez-vous aux instructions relatives à l'accessoire de coupe pour déterminer comment installer correctement le fil de coupe et les lames en plastique.



AVERTISSEMENT: Un accessoire de coupe endommagé peut augmenter les risques d'accident.



AVERTISSEMENT: Coupez toujours l'alimentation avant toute intervention sur l'accessoire de coupe. Celui-ci continue de tourner après avoir relâché la gâchette de puissance. Assurez-vous que l'accessoire de coupe est complètement immobilisé et débranchez la batterie du produit avant de commencer l'intervention.

Accessoire de coupe



AVERTISSEMENT: Veillez à ce que le fil de coupe soit toujours enroulé de manière serrée et régulière autour du tambour pour éviter toute vibration dangereuse.

(Fig. 29)

- Utilisez uniquement des accessoires de coupe recommandés.
- La longueur du fil de coupe est importante. Un fil de coupe long nécessite une puissance motrice plus élevée qu'un fil court de même diamètre.
- Assurez-vous que le système de coupe monté sur la protection de l'accessoire de coupe n'est pas endommagé. Il découpe le fil de coupe à la bonne longueur.
- Faites tremper le fil de coupe dans l'eau pendant quelques jours avant utilisation afin d'augmenter sa durée de vie.

Consignes de sécurité relatives à l'utilisation de la batterie



AVERTISSEMENT: Lisez les instructions qui suivent avant d'utiliser le produit.

- Utilisez uniquement des batteries BLi et 40-B. Pour plus de détails, reportez-vous à la section *Caractéristiques techniques à la page 175*. La batterie est codée par logiciel.
- Utilisez des batteries BLi et 40-B rechargeables en tant qu'alimentation électrique pour les produits Husqvarna uniquement. Afin d'éviter toute blessure, n'utilisez pas la batterie comme source d'alimentation pour d'autres produits.
- Risque de choc électrique. Ne branchez pas les bornes de la batterie à des clés, des pièces de monnaie, des vis ou tout autre élément métallique. Cela peut provoquer un court-circuit de la batterie.
- N'utilisez pas de batteries non rechargeables.
- Ne placez pas d'objets dans les fentes d'aération de la batterie.
- Protégez la batterie des rayons directs du soleil, de la chaleur et des flammes nues. La batterie peut provoquer des brûlures et/ou des brûlures chimiques.
- Protégez la batterie de la pluie et de l'humidité.
- Protégez la batterie des micro-ondes et des hautes pressions.
- N'essayez pas de démonter ou de casser la batterie.
- En cas de fuite de la batterie, ne laissez pas le liquide entrer en contact avec votre peau ou vos yeux. Si vous avez touché le liquide, nettoyez la zone avec beaucoup d'eau claire et du savon, puis contactez un médecin. Si vous recevez du liquide dans les yeux, ne frottez pas mais rincez à l'eau pendant au moins 15 minutes et contactez un médecin.
- Utilisez la batterie à une température comprise entre -10 °C (14 °F) et 40 °C (114 °F).
- Ne nettoyez pas la batterie ou le chargeur de batterie avec de l'eau. Reportez-vous à la section *Pour nettoyer le produit, la batterie et le chargeur de batterie à la page 173*.
- N'utilisez pas de batterie défectueuse ou endommagée.
- Conservez les batteries en stock à distance des objets métalliques, tels que les clous, les vis ou les bijoux.
- Tenez la batterie hors de portée des enfants.

Consignes de sécurité relatives au chargeur de batterie



AVERTISSEMENT: Lisez les instructions qui suivent avant d'utiliser le produit.

- Risque de choc électrique ou de court-circuit si les instructions de sécurité ne sont pas respectées.
- n'utilisez pas d'autres chargeurs de batterie que celui fourni pour votre produit. Utilisez uniquement des chargeurs QC80 et 40-C80 pour charger des batteries de recharge BLi et 40-B.
- N'essayez pas de démonter le chargeur de batterie.
- N'utilisez pas de chargeur de batterie défectueux ou endommagé.
- Ne soulevez pas le chargeur de batterie par le cordon d'alimentation. Pour débrancher le chargeur de batterie d'une prise de courant murale, tirez sur la fiche. Ne tirez pas le cordon d'alimentation.
- Conservez tous les câbles et toutes les rallonges loin de l'eau, de l'huile et des bords tranchants. Veillez à ce que le câble ne soit pas coincé dans des objets tels que des portes, des clôtures ou tout autre équipement similaire.
- N'utilisez pas le chargeur de batterie à proximité de matériaux inflammables ou de matériaux pouvant provoquer la formation de corrosion. Assurez-vous que le chargeur de batterie n'est pas couvert. En cas de dégagement de fumée ou de début d'incendie, débranchez aussitôt la fiche reliée au chargeur de batterie.
- Rechargez la batterie uniquement en intérieur, dans un endroit bien aéré et à l'abri de la lumière. Ne chargez pas la batterie à l'extérieur. Ne rechargez pas la batterie dans des conditions humides.
- Utilisez le chargeur de batterie à une température comprise entre 5 °C (41 °F) et 40 °C (104 °F) uniquement. Utilisez le chargeur dans un environnement bien ventilé, sec et exempt de poussière.

- Ne placez pas d'objets dans les fentes de refroidissement du chargeur de batterie.
- Ne raccordez pas les bornes du chargeur de batterie à des objets métalliques car cela peut court-circuiter le chargeur de batterie.
- Utilisez des prises de courant murales homologuées et non endommagées. Assurez-vous que le câble du chargeur de batterie n'est pas endommagé. Si des câbles de rallonge sont utilisés, assurez-vous que ceux-ci ne sont pas endommagés.
- Ne placez aucune batterie non rechargeable dans le chargeur de batterie.

Consignes de sécurité pour l'entretien



AVERTISSEMENT: Lisez les instructions qui suivent avant d'effectuer l'entretien du produit.

- Retirez la batterie avant tout entretien, contrôle ou assemblage du produit.
- L'utilisateur ne doit effectuer que les travaux de maintenance et d'entretien décrits dans ce manuel d'utilisation. Adressez-vous à votre revendeur pour toute opération de maintenance et d'entretien de plus grande ampleur.
- Ne nettoyez pas la batterie ou le chargeur de batterie avec de l'eau. L'utilisation de détergents agressifs peut endommager le plastique.
- Un défaut d'entretien réduit le cycle de vie du produit et augmente le risque d'accidents.
- Une formation spéciale est nécessaire pour tous les travaux d'entretien et de réparation, en particulier pour les dispositifs de sécurité sur le produit. Si tous les contrôles spécifiés dans ce manuel d'utilisation ne sont pas validés après l'entretien, consultez votre revendeur. Nous garantissons la disponibilité d'un service de réparation et d'entretien professionnel pour votre produit.
- Utilisez uniquement les pièces de rechange d'origine.

Montage

Introduction



AVERTISSEMENT: Assurez-vous de lire et de comprendre le chapitre dédié à la sécurité avant de monter l'appareil.

Pour fixer la protection de l'accessoire de coupe

1. Placez la protection de l'accessoire de coupe contre le carter moteur. (Fig. 30)
2. Vérifiez les crochets de verrouillage. (Fig. 31)
3. Serrez le boulon. Utilisez une clé mixte. (Fig. 32)

4. Serrez le boulon.

Pour changer l'accessoire de coupe

1. Placez la clé mixte dans le trou afin de bloquer l'arbre. (Fig. 33)
2. Tournez l'accessoire de coupe et poussez la clé mixte avec précaution jusqu'à ce que l'arbre de sortie soit bloqué.
3. Tournez l'accessoire de coupe dans le sens des aiguilles d'une montre pour le retirer. Assurez-vous que le disque d'entraînement est en place avant d'installer l'accessoire de coupe. (Fig. 34)

4. Installez le nouvel accessoire de coupe en suivant les étapes dans l'ordre inverse. (Fig. 35) (Fig. 36)

Remarque: Assurez-vous que le disque d'entraînement est correctement monté avant d'installer l'accessoire de coupe.

Installation de l'étrier de protection des plantes

1. Installez l'étrier de protection des plantes dans les trous figurant sur le carter du moteur. (Fig. 37)
2. Assurez-vous que l'étrier de protection des plantes peut se déplacer librement vers l'avant et vers l'arrière. (Fig. 38)

Montage de la poignée en anneau

1. Placez la vis dans la poignée en boucle. (Fig. 39)
2. Posez la poignée anneau entre les flèches situées sur l'arbre.

3. Serrez les vis.

4. Réglez la poignée dans la position correcte. Reportez-vous à la section *Réglage de la poignée en anneau et de l'arbre télescopique* à la page 171.

Installation du chargeur de batterie 40-C80 sur un mur



REMARQUE: n'utilisez pas de tournevis électrique pour installer le chargeur de batterie sur le mur. Un tournevis électrique peut endommager le chargeur de batterie.

1. Installez le chargeur de batterie sur le mur à l'aide des 2 vis (A). Utilisez des chevilles murales (B) si nécessaire. (Fig. 40)
2. Installez les 2 bouchons de trou de vis (C).
3. Branchez le cordon d'alimentation (D) au chargeur de batterie et sur une prise de courant murale.

Utilisation

Introduction



AVERTISSEMENT: Assurez-vous de lire et de comprendre le chapitre dédié à la sécurité avant d'utiliser l'appareil.

Avant d'utiliser le produit

- Examinez la zone de travail pour vous assurer que vous connaissez la nature du terrain. Examinez l'inclinaison du sol et vérifiez s'il y a des obstacles tels que des pierres, des branches et des fossés.
- Effectuez une inspection générale du produit.
- Effectuez les inspections de sécurité, de maintenance et d'entretien indiquées dans ce manuel.
- Vérifiez que le moteur est propre et exempt de fissures. Utilisez une brosse pour nettoyer le moteur de l'herbe et des feuilles. Utilisez des gants si nécessaire.
- Examinez la tête de désherbage et la protection de l'équipement de coupe pour vérifier l'absence de dommages ou fissures. Remplacez la tête de désherbage et la protection de l'équipement de coupe si elles ont été touchées ou si elles présentent des fissures.
- Assurez-vous que tous les écrous et les vis sont serrés.

- Assurez-vous que tous les capots, toutes les protections, les poignées et l'équipement de coupe sont correctement fixés et qu'ils ne sont pas endommagés avant de démarrer le produit.

Batterie



AVERTISSEMENT: veuillez à lire et comprendre le chapitre dédié à la sécurité avant d'utiliser la batterie. Veuillez également à lire et comprendre le manuel d'utilisation de la batterie et du chargeur de batterie.

Maintenez la batterie et le chargeur de batterie à des températures ambiantes correctes.

	Température ambiante
Fonctionnement du produit	-5 °C-40 °C / 23 °F-104 °F
Charge de la batterie	5 °C-40 °C / 41 °F-104 °F

État de la batterie

L'écran indique l'état de charge ainsi que tout problème éventuel lié à la batterie.

(Fig. 41)

Témoin LED	État de la batterie (état de charge)	
	BLi10, BLi20	40-B70, 40-B140
4 voyants LED sont allumés	N/A	La batterie est chargée à 76 % - 100 %.
3 voyants LED sont allumés	La batterie est chargée à 76 % - 100 %.	La batterie est chargée à 51 % - 75 %.
2 voyants LED sont allumés	La batterie est chargée à 51 % - 75 %.	La batterie est chargée à 26 % - 50 %.
1 voyant LED est allumé	La batterie est chargée à 26 % - 50 %.	La batterie est chargée à 6 % - 25 %.
1 voyant LED clignote	La batterie est chargée à 0 % - 25 %.	La batterie est chargée à 0 % - 5 %.

Pour charger la batterie

chargez la batterie si vous l'utilisez pour la première fois. Une batterie neuve n'est chargée qu'à 30 %.



REMARQUE: branchez le chargeur de batterie sur une prise de courant à la tension et à la fréquence indiquées sur la plaque signalétique.

La batterie ne charge pas si la température de la batterie est supérieure à 50 °C/122 °F.

1. Branchez le cordon d'alimentation sur le chargeur de batterie.
2. Branchez le chargeur de batterie sur une prise de courant mise à la terre. La LED de charge clignote une fois. (Fig. 42)
3. Insérez la batterie dans le chargeur de batterie. La LED de charge s'allume. Chargez la batterie pendant 24 heures au maximum. (Fig. 43)
4. Appuyez sur le bouton d'indicateur de batterie. Si tous les témoins LED s'allument, la batterie est complètement chargée.
5. Tirez sur la prise électrique pour débrancher le chargeur de batterie de la prise de courant. Ne tirez pas le cordon d'alimentation.
6. Dégagez la batterie du chargeur de batterie.

Pour fixer la batterie au produit



AVERTISSEMENT: Utilisez uniquement la batterie Husqvarna d'origine du produit.

1. Chargez complètement la batterie.
2. Poussez la batterie dans le support de batterie du produit. La batterie est verrouillée en position lorsqu'un « clic » est émis. (Fig. 44)



REMARQUE: Si la batterie ne bouge pas facilement dans son support, c'est qu'elle n'est pas installée correctement. Cela peut endommager le produit.

Pour démarrer le produit

1. Appuyez sur le bouton marche/arrêt et maintenez-le enfoncé jusqu'à ce que la LED verte s'allume. (Fig. 45)
2. Appuyez sur le blocage de la gâchette de puissance et la gâchette de puissance. La lame se met à tourner.

Réglage de la poignée en anneau et de l'arbre télescopique

1. Desserrez la poignée de verrouillage et mettez la poignée en boucle dans une position correcte. (Fig. 46)
2. Fermez la poignée de verrouillage.
3. Desserrez le levier sur l'arbre. (Fig. 47)
4. Réglez la longueur nécessaire sur l'arbre. Assurez-vous que le triangle sur l'arbre est visible. (Fig. 48)
5. Fermez le levier et serrez la vis.

Remarque: Ne fixez pas la poignée en boucle sur les autocollants d'avertissement de l'arbre.

Pour utiliser la fonction SavE

Ce produit est équipé d'une fonction d'économie de la batterie, appelée SavE.

Remarque: La fonction SavE ne réduit pas la puissance de coupe du produit.

1. Appuyez sur le bouton SavE sur le levier.

2. Assurez-vous que la LED verte s'allume.
3. Appuyez à nouveau sur le bouton SavE pour désactiver la fonction. La LED verte s'éteint. (Fig. 49)

Fonction d'arrêt automatique

Le produit est équipé d'une fonction d'arrêt qui arrête le produit s'il n'est pas utilisé. La LED verte d'indication de démarrage/d'arrêt s'éteint et le produit s'arrête au bout de 180 secondes.

Pour utiliser le produit

Coupe de l'herbe

1. Assurez-vous que le fil de coupe ou les lames en plastique sont parallèles au sol lorsque vous coupez l'herbe. (Fig. 50)
2. N'appuyez pas la tête de désherbage ou Tri-Cut sur le sol. En cas de non-respect de cette consigne, vous risquez d'endommager le produit.

Remarque: Une température ambiante basse proche de 0 °C peut entraîner la rupture de la lame ou du fil de coupe.

3. Déplacez le produit de gauche à droite pour couper l'herbe. (Fig. 51)

Remarque: N'utilisez pas le produit avec un accessoire de coupe endommagé. Un accessoire de coupe endommagé peut provoquer un déséquilibre pouvant endommager le produit.

Balayage de l'herbe

Le débit d'air des lames en plastique ou du fil de coupe en rotation peut être utilisé pour éliminer l'herbe coupée d'une zone.

1. Maintenez la tête de désherbage, les lames en plastique et le fil de coupe parallèles au sol et en hauteur.
2. Faites-le tourner à plein régime.
3. Déplacez l'accessoire de coupe de gauche à droite et balayez l'herbe.



AVERTISSEMENT: Nettoyez le capot de l'accessoire de coupe chaque fois que vous installez un fil de coupe neuf ou des lames en plastique neuves pour éviter tout déséquilibre et des vibrations dans les poignées. Vérifiez également les autres pièces de l'accessoire de coupe et nettoyez au besoin.

Pour couper l'herbe à proximité d'objets

1. Abaissez l'étrier de protection des plantes. (Fig. 52)
2. Utilisez l'étrier de protection des plantes pour éviter d'endommager d'autres objets. (Fig. 53)

Arrêt du produit

1. Relâchez la gâchette de puissance ou son blocage.
2. Appuyez sur le bouton marche/arrêt jusqu'à ce que la LED verte s'éteigne.
3. Appuyez sur les boutons de déverrouillage de la batterie et sortez la batterie. (Fig. 54)

Pour remplacer les lames en plastique ou le fil de coupe

Reportez-vous aux dernières pages de ce manuel d'utilisation.

Entretien

Introduction



AVERTISSEMENT: assurez-vous de lire et de comprendre le chapitre sur la sécurité avant de procéder à l'entretien du produit.

Calendrier d'entretien



AVERTISSEMENT: Retirez la batterie avant d'effectuer l'entretien.

La liste ci-dessous indique les étapes d'entretien à effectuer sur le produit. Reportez-vous à *Aperçu du produit* à la page 161 pour plus d'informations.

Entretien	Tous les jours	Toutes les semaines	Mensuel
Nettoyez les pièces externes du produit avec un chiffon sec. N'utilisez pas d'eau.	X		
Assurez-vous que le bouton marche/arrêt fonctionne correctement et qu'il n'est pas endommagé.	X		

Entretien	Tous les jours	Toutes les semaines	Mensuel
Vérifiez que la gâchette de puissance et son mécanisme de blocage fonctionnent en toute sécurité.	X		
Assurez-vous que les poignées sont sèches et propres.	X		
Assurez-vous que la protection de l'accessoire de coupe n'est pas endommagée. Remplacez la protection de l'accessoire de coupe si elle est endommagée.	X		
Assurez-vous que la poignée ou le guidon ne sont pas endommagés et qu'ils sont correctement fixés.	X		
Contrôlez le mécanisme de verrouillage de l'arbre télescopique. Reportez-vous à la section <i>Pour vérifier le mécanisme de verrouillage de l'arbre télescopique à la page 173.</i>	X		
Contrôlez le chargeur de batterie pour vous assurer qu'il fonctionne correctement et qu'il n'est pas endommagé.	X		
Assurez-vous que la batterie n'est pas endommagée.	X		
Assurez-vous que la batterie est chargée.	X		
Assurez-vous que le chargeur de batterie n'est pas endommagé.	X		
Assurez-vous que les vis et les écrous extérieurs sont serrés.		X	
Assurez-vous que les boutons de libération de la batterie fonctionnent correctement et verrouillent la batterie dans le produit.		X	
Contrôlez la présence de graisse dans la bobine de la tête de désherbage.		X	
Nettoyez et contrôlez les connexions entre la batterie et le produit.			X
Nettoyez et contrôlez la connexion entre la batterie et le chargeur de batterie.			X

Pour examiner la batterie et le chargeur de batterie

1. Examinez la batterie pour détecter tout dommage, par exemple des fissures.
2. Examinez le chargeur de batterie pour détecter tout dommage, par exemple des fissures.
3. Assurez-vous que le cordon de raccordement du chargeur de batterie n'est pas endommagé et qu'il n'est pas fissuré.

Pour nettoyer le produit, la batterie et le chargeur de batterie

1. Nettoyez le produit avec un chiffon sec après utilisation.
2. Nettoyez la batterie et le chargeur de batterie avec un chiffon sec. Veillez à maintenir les rails guides de la batterie en parfait état de propreté.
3. Assurez-vous que les bornes de la batterie et du chargeur de batterie sont propres avant d'insérer la batterie dans le chargeur ou le produit.

Pour contrôler et remplacer la tête Tri-Cut

1. Vérifiez que la tête Tri-Cut ne présente pas de dommages ni de fissures.
2. Retirez la tête Tri-Cut. *Reportez-vous à la section « Pour retirer la tête Tri-Cut » à la dernière page du manuel d'utilisation.*
3. Assemblez la tête Tri-Cut. Reportez-vous à la section *Pour changer l'accessoire de coupe à la page 169.*

Pour vérifier le mécanisme de verrouillage de l'arbre télescopique

1. Contrôlez le mécanisme de verrouillage de l'arbre télescopique.
2. Réglez la force de couple. (Fig. 55)

Dépannage

Clavier

Écran à DEL	Défaillances possibles	Solutions possibles
La DEL d'erreur clignote	Surcharge	Les cliquets du démarreur ne peuvent pas se déplacer librement. Relâchez l'équipement de coupe.
	Écart de température	Laissez le produit refroidir.
Le produit ne démarre pas.	Appuyez simultanément sur la gâchette de puissance et sur le bouton de démarrage.	Relâchez la gâchette de puissance et appuyez sur le bouton de démarrage.
La LED d'erreur s'allume en rouge.	Il est nécessaire de procéder à l'entretien du produit.	Contactez votre agent d'entretien.

Batterie

Affichage à LED	Défaillances possibles	Action possible
La DEL d'erreur clignote	Tension de batterie faible.	Rechargez la batterie.
La DEL d'erreur clignote	Écart de température.	Utilisez la batterie à une température comprise entre -10°C (14°F) et 40°C (104°F).
	Ralenti trop important.	Veillez à ce que la tension secteur soit conforme aux valeurs sur la plaque signalétique du produit. Dégagez la batterie du chargeur de batterie.
La DEL d'erreur est allumée	L'écart de tension entre les cellules est trop important (1 V).	Contactez votre atelier d'entretien.

Chargeur de batterie

Problème	Défaillances possibles	Solution possible
La LED de charge est rouge.	Erreur de chargeur de batterie permanente.	Parlez-en à votre revendeur.
La LED de charge clignote en vert.	Écart de température, la batterie est trop froide ou trop chaude pour être utilisée ou chargée.	Laissez la batterie refroidir ou réchauffez-la. Lorsque la température de la batterie est correcte, elle peut à nouveau être utilisée ou rechargée. Utilisez le chargeur de batterie à des températures ambiantes comprises entre 5 °C (41 °F) et 40 °C (104 °F).
La LED de charge clignote en rouge.	Batterie défectueuse.	Parlez-en à votre revendeur.

Transport, entreposage et mise au rebut

Transport et stockage

- Les batteries Li-Ion fournies respectent les exigences de la législation sur les marchandises dangereuses.
- Vous devez respecter l'exigence spécifique relative à l'emballage et aux étiquettes pour le transport commercial, y compris par des tiers et des transitaires.
- Consultez un expert en matières dangereuses avant d'expédier le produit. Respectez les lois nationales en vigueur.
- Mettez du ruban adhésif sur les contacts lorsque vous placez la batterie dans un emballage. Placez la batterie dans l'emballage de façon hermétique pour empêcher tout mouvement.
- Retirez la batterie lors du stockage ou du transport.
- Placez la batterie et le chargeur de batterie dans un endroit sec, à l'abri de l'humidité et du gel.
- Ne conservez pas la batterie dans un endroit présentant un risque d'électricité statique. Ne conservez pas la batterie dans une boîte métallique.
- Conservez la batterie dans un endroit où la température est comprise entre 5 °C (41 °F) et 25 °C (77 °F) et à l'abri de la lumière du soleil.
- Conservez le chargeur de batterie dans un endroit où la température est comprise entre 5 °C (41 °F) et 45 °C (113 °F) et à l'abri de la lumière du soleil.
- N'utilisez le chargeur de batterie que si la température ambiante est comprise entre 5 °C (41 °F) et 40 °C (104 °F).

- Chargez la batterie entre 30 % et 50 % avant de la remettre pendant des périodes prolongées.
- Conservez le chargeur de batterie dans un local fermé et sec.
- Conservez la batterie à l'écart du chargeur lors du rangement. Ne laissez pas des enfants ou d'autres personnes non autorisées toucher l'équipement. Conservez l'équipement dans un local verrouillable.
- Nettoyez le produit et effectuez un entretien complet avant de remettre le produit pendant des périodes prolongées.
- Utilisez la protection de transport du produit pour éviter les blessures et les dégâts causés au produit lors du transport et du remisage.
- Fixez le produit pour le transporter.

Mise au rebut de la batterie, du chargeur de batterie et du produit

Les symboles figurant sur le produit ou son emballage indiquent que ce produit ne fait pas partie des ordures ménagères. Déposez-le dans une station de recyclage pour équipements électriques et électroniques. Ceci permet d'éviter les dangers pour l'environnement et les personnes.

Contactez les autorités locales, le service des ordures ménagères ou votre revendeur pour plus d'informations sur le recyclage de votre produit.

Caractéristiques techniques

Caractéristiques techniques

	215iL-TC
Moteur	
Type de moteur	BLDC
Régime de l'arbre de sortie, tr/min	6 800
Largeur de coupe, mm	255
Poids	
Poids sans batterie, kg	2,9

	215iL-TC
Émissions sonores ²⁸	
Niveau de puissance acoustique mesuré, dB (A)	90,8
Niveau de puissance acoustique garanti L _{WA} dB (A)	93
Niveaux sonores ²⁹	
Équivalent du niveau de pression sonore à l'oreille de l'utilisateur, mesuré selon la norme IEC 62841-4-4, dB(A)	81,3
Niveaux de vibrations ³⁰	
Niveaux de vibrations au niveau des poignées, mesurés selon la norme IEC 62841-4-4, m/s ²	3,0 / 2,7
Avec tête de désherbage (d'origine), avant / arrière.	

Batteries homologuées pour le produit

Batterie	BLi10		BLi20		40-B70	40-B140
Type	Lithium-ion		Lithium-ion		Lithium-ion	Lithium-ion
Capacité de la batterie, Ah	Reportez-vous à l'autocollant de capacité de la batterie		Reportez-vous à l'autocollant de capacité de la batterie		Reportez-vous à l'autocollant de capacité de la batterie	Reportez-vous à l'autocollant de capacité de la batterie
Tension nominale, V	36	36,5	36	36,5	36	36
Poids, lb/kg	0,7	0,7	1,2	1,2	0,8	1,25

Chargeurs de batterie homologués pour le produit

Chargeur de batterie	QC80	40-C80
Tension secteur, V	100-240	100-240
Fréquence, Hz	50-60	50-60
Puissance, W	100	72
Tension de sortie, V d.c / Ampères, A	36/2	43/1,6

²⁸ Émissions sonores dans l'environnement mesurées comme puissance acoustique (L_{WA}) selon la directive européenne CE 2000/14/CE. Le niveau de puissance sonore garanti diffère du niveau mesuré en cela qu'il prend également en compte la dispersion et les variations d'un produit à l'autre du même modèle, conformément à la directive 2000/14/CE.

²⁹ Les données reportées pour le niveau de pression sonore équivalent du produit montrent une dispersion statistique typique (déviations standard) de 3 dB (A).

³⁰ Les données reportées pour le niveau de vibrations montrent une dispersion statistique typique (déviations standard) de 1,5 m/s².

Accessoires

Accessoires homologués

Accessoires homologués	Type	Protection pour équipement de coupe, réf.
Tête de désherbage	R25B (fil Ø 2 mm)	529 96 69-01
Tête de désherbage	Tri-Cut B (255 mm)	529 96 69-01

Déclaration de conformité

Déclaration de conformité UE

Nous, **Husqvarna AB**, SE-561 82 Huskvarna, Suède,
tél : +46-36-146500, déclarons sous notre entière
responsabilité que le produit :

Description	Coupe-bordures à batterie
Marque	Husqvarna
Type/Modèle	215iL-TC
Identification	Les numéros de série à partir de 2025 et ultérieurs

est entièrement conforme à la réglementation et aux
directives de l'UE suivantes :

Directive / réglemen- tation	Description
2006/42/CE	« relative aux machines »
2014/30/UE	« relative à la compatibilité électromagnétique »
2000/14/EC	« relative aux émissions sonores dans l'environnement »
2011/65/UE	« relative à la limitation de l'utilisation de certaines substances dangereuses au sein d'équi- pements électriques et électroniques »

et que les normes et/ou les spécifications
techniques suivantes sont appliquées : EN
62841-1:2015+A11:2022, IEC 62841-4-4:2020, EN
ISO 12100:2010, EN IEC 63000:2018, EN IEC
55014-1:2021; EN IEC 55014-2:2021.

L'organisme notifié : 0036 TÜV SÜD Industrie Service
GmbH, Westendstraße 199, 80686 München, Germany
a certifié être conforme à la Directive du
Conseil 2000/14/CE, procédure d'évaluation de la
conformité : Annexe VI.

Pour toute information relative aux émissions sonores,
veuillez consulter la section *Caractéristiques techniques*
à la page 175.

Husqvarna, 2025-01-10



Claes Losdal, responsable R&D, Husqvarna AB
Responsable de la documentation technique



Sadržaj

Uvod.....	179	Prijevoz, spremanje i zbrinjavanje.....	191
Sigurnost.....	180	Tehnički podaci.....	191
Sastavljanje.....	186	Dodatna oprema.....	193
Rad.....	187	Izjava o sukladnosti.....	194
Održavanje.....	189	Dodatak	478
Rješavanje problema.....	190		

Uvod

Opis proizvoda

Husqvarna 215iL-TC je baterijski trimmer za travu s elektromotorom.

Neprestano radimo na tomu da povećamo vašu sigurnost i učinkovitost tijekom rada. Za više informacija obratite se servisnom zastupniku.

Namjena

Proizvod se upotrebljava s nemetalnim, plastičnim noževima. Proizvod upotrebljavajte isključivo za rezanje korova, trave ili slične mekane vegetacije.

Pregled proizvoda

(Sl. 1)

1. Glava trimera Tri-Cut
2. Štitnik reznog pribora
3. Vratilo
4. Prilagodba vratila (teleskop)
5. Okrugla ručka
6. Tipkovnica
7. Indikator upozorenja za tipkovnicu
8. Gumb START/STOP
9. Gumb SavE
10. Okidač paljenja
11. Blokada okidača paljenja
12. Indikator uključenog napajanja i upozorenja
13. Priključak
14. Punjač baterije 40-C80
15. Štitnik za biljke
16. Indikator upozorenja za bateriju
17. Status baterije
18. Gumb indikatora baterije
19. Gumbi za oslobađanje baterije
20. Baterija
21. Višenamjenski alat
22. Pogonski disk
23. Korisnički priručnik

Napomena: Nacionalni propisi mogu ograničiti upotrebu ovog proizvoda.

Proizvod upotrebljavajte s dodacima s odobrenjem proizvođača. Pogledajte *Dodatna oprema na stranici 193*.

Simboli na proizvodu

- (Sl. 2) UPOZORENJE: Ovaj proizvod može biti opasan i izazvati teške ozljede ili smrt rukovatelja ili drugih osoba. Budite oprezni i pravilno upotrebljavajte ovaj proizvod.
- (Sl. 3) Pažljivo pročitajte korisnički priručnik i prije upotrebe dobro usvojite sadržaj.
- (Sl. 4) Stavite zaštitu za oči i uši.
- (Sl. 5) Nemojte izlagati kiši.
- (Sl. 6) Naljepnica za emisije buke u okoliš prema EU (uključujući zakonodavstvo Novog Južnog Walesa) i UK direktivama i propisima. Podaci o emisiji buke navedeni su na naljepnici i u poglavlju Tehnički podaci. Primjenjivo kada je proizvod opremljen flaksom trimera.
- (Sl. 7) Pazite na izbačene predmete.
- (Sl. 8) Odspojite bateriju prije održavanja.
- (Sl. 9) Ni proizvod ni njegova ambalaža ne spadaju u kućanski otpad. Reciklirajte ga u reciklažnoj stanici za električnu i elektroničku opremu.

(Sl. 10) Proizvod ispunjava mjerodavne direktive EU.

(Sl. 12) Istosmjerna struja.

(Sl. 11) Proizvod je usklađen s važećim direktivama u UK.

(Sl. 16) Udaljenost između stroja i promatrača mora biti najmanje 15 m (50').

(Sl. 17) Nemojte upotrebljavati metalne noževe.

ggggtbxxxx

Serijski broj nalazi se na natpisnoj pločici ili laserskom ispisu. **yyyy** je godina proizvodnje, a **ww** je tjedan proizvodnje.

Simboli na bateriji i/ili punjaču baterija

(Sl. 18) Reciklirajte ovaj proizvod u reciklažnoj stanici za električnu i elektroničku opremu. (Primjenjuje se samo na Europu)

(Sl. 13) Sigurnosni transformator.

(Sl. 14) Punjač baterije koristite i čuvajte isključivo u zatvorenom prostoru.

(Sl. 15) Dvostruka izolacija.

Oštećenje proizvoda

U sljedećim okolnostima nećemo biti odgovorni za oštećenja proizvoda:

- proizvod nepravilno popravljen
- proizvod popravljen dijelovima koje nije proizveo proizvođač ili nemaju odobrenje proizvođača
- proizvod ima dodatnu opremu koje nije proizveo proizvođač ili nemaju odobrenje proizvođača
- proizvod nije popravljen u odobrenom servisnom centru ili kod ovlaštene osobe.

Sigurnost

Sigurnosne definicije

Upozorenjima, oprezima i napomenama naglašavaju se posebno važni dijelovi priručnika.



UPOZORENJE: Koristi se kada nepoštivanje uputa iz priručnika može uzrokovati smrt ili ozljede rukovatelja ili promatrača.



OPREZ: Koristi se kada nepoštivanje uputa iz priručnika može uzrokovati oštećenje proizvoda ili drugih materijala u neposrednoj blizini.

Napomena: Koristi se prikaz neophodnih dodatnih informacija za zadanu situaciju.

Opća sigurnosna upozorenja za stroj



UPOZORENJE: Pročitajte sva sigurnosna upozorenja, upute, ilustracije i specifikacije isporučene s ovim strojem. *Nepoštivanje svih uputa u nastavku može uzrokovati električni udar, požar i/ili ozbiljne ozljede.*

Spremite sva upozorenja i upute za buduću primjenu.

Napomena: *Pojam „stroj“ u upozorenjima odnosi se na stroj napajan iz strujne mreže (žični) ili baterijski (bežični) stroj.*

Sigurnost na radnom mjestu

- **Radno mjesto mora biti čisto i dobro osvijetljeno.** Zakrčeni i tamni prostori čest su uzrok nesreća.
- **Nemojte koristiti stroj u eksplozivnim atmosferama, primjerice u prisutnosti zapaljivih tekućina, plinova ili prašine.** Strojevi mogu iskrenjem zapaliti prašinu ili isparenja.
- **Tijekom upotrebe stroja djeci i promatračima onemogućite pristup.** Odvlačenje pozornosti može dovesti do gubitka kontrole nad uređajem.

Električna sigurnost

- **Utikači stroja moraju odgovarati utičnicama. Utikač ni pod kojim uvjetima nemojte preinačavati. S uzemljenim strojevima nemojte upotrebljavati adapterske utikače.** Neizmijenjeni utikači i odgovarajuće utičnice smanjuju opasnost od strujnog udara.
- **Izbjegavajte tjelesni kontakt s uzemljenim površinama kao što su cijevi, radijatori, štednjaci i**

hladnjaci. Ako vam je tijelo uzemljeno, povećava se opasnost od strujnog udara.

- **Strojeve nemojte izlagati kiši ili mokrim uvjetima.** Voda koja prodire u stroj povećava opasnost od strujnog udara.
- **Pazite na kabel.** Kabel nemojte upotrebljavati za prenošenje, povlačenje ili isključivanje stroja. Kabel držite podalje od vrućine, ulja, oštih rubova ili pokretnih dijelova. Oštećeni ili isprepleteni kabeli povećavaju opasnost od strujnog udara
- **Kada stroj upotrebljavate na otvorenom, morate upotrebljavati odgovarajući produžni kabel.** Upotrebom kabela predviđenog za rad na otvorenom smanjujete opasnost od strujnog udara.
- **Ako stroj morate upotrebljavati na vlažnom mjestu, upotrijebite uređaj zaštitni zaštitnim uređajem diferencijalne struje (RCD).** Primjenom zaštitnog uređaja diferencijalne struje (RCD) smanjuje se opasnost od strujnog udara.

Osobna sigurnost

- **Budite usredotočeni, pazite što radite i razumno upotrebljavajte stroj.** Stroj nemojte upotrebljavati umorni ili pod djelovanjem droga, alkohola ili lijekova. U trenutku nepažnje tijekom upotrebe stroja može doći do ozbiljnih tjelesnih ozljeda.
- **Upotrebljavajte osobnu zaštitnu opremu. Uvijek nosite zaštitu za oči.** Upotreba zaštitne opreme poput maske za prašinu, protukliznih zaštitnih cipela, kacige i štitnika za uši u odgovarajućim uvjetima smanjuje opasnost od osobnih ozljeda.
- **Spriječite nehotično pokretanje stroja. Prije podizanja ili prenošenja alata ili pak njegovu priključivanja na napajanje i/ili bateriju prekidač mora biti u isključenom položaju.** Držanje prsta na prekidaču prilikom prenošenja strojeva ili priključivanje napajanja stroja na kojima je prekidač uključen povećava opasnost od nezgode.
- **Prije uključivanja stroja izvadite sve klinove za prilagodavanje ili ključ.** Ako ključ ili klin ostanu na pokretnom dijelu stroja, može doći do tjelesnih ozljeda.
- **Ne posežite predaleko. Uvijek imajte dobar oslonac i održavajte ravnotežu.** To omogućuje bolju kontrolu stroja u neočekivanim situacijama.
- **Nosite prikladan odjeću. Nemojte nositi široku odjeću ni nakit.** Kosu i odjeću držite podalje od pomičnih dijelova. Široka odjeća, nakit ili duga kosa mogu zapeti u pokretnim dijelovima stroja.
- **Ako su priloženi uređaji za povezivanje mehanizama za izdvajanje i prikupljanje prašine, pripazite na njihovo pravilno priključivanje i upotrebu.** Upotreba mehanizma za prikupljanje prašine može smanjiti opasnosti uzrokovane prašinom.
- **Ne dopustite da vas uljuljka lažni osjećaj sigurnosti i nemojte zanemarivati sigurnosna pravila koja se odnose na elektroalat čak ni kada ste se, nakon višekratne uporabe, upoznali s radom elektroalata.** Neoprezan rad u djeliću sekunde može uzrokovati ozbiljnu ozljedu.

Upotreba i održavanje stroja

- **Stroj nemojte preopterećivati. Upotrebljavajte stroj koji odgovara namjeni.** Odgovarajućim strojem posao ćete obaviti bolje i sigurnije, brzinom za koju je konstruiran.
- **Stroj nemojte upotrebljavati ako ga nije moguće uključiti i isključiti prekidačem.** Stroj kojim ne možete upravljati s prekidačem opasan je i mora se popraviti.
- **Prije bilo kakvih izmjena, zamjene dodatne opreme ili spremanja stroja, odspojite utikač od izvora napajanja i/ili izvadite baterijski paket iz stroja, ako je to moguće.** Ove preventivne sigurnosne mjere smanjuju opasnost od nehotičnog pokretanja stroja.
- **Strojeve koje ne upotrebljavate uskladištite izvan dohvata djece, a osobama koje nisu upoznate sa strojem ili ovim uputama nemojte dopustiti njegovu upotrebu.** Strojevi mogu biti opasni kada njima rukuju neiskusni korisnici.
- **Održavajte stroj i dodatnu opremu. Provjerite usklađenost i povezanost pokretnih dijelova, cjelovitost dijelova te sva druga stanja koja mogu utjecati na rad stroja. Ako postoje oštećenja, stroj popravite prije upotrebe.** Brojne nezgode uzrokovane su lošim održavanjem strojeva.
- **Rezni alati moraju biti oštri i čisti.** Ispravno održavani rezni strojevi s oštrim reznim rubovima teže se zaglavljuju i lakše ih je kontrolirati.
- **Stroj, dodatnu opremu, svrdla itd. upotrebljavajte u skladu s ovim uputama, uzimajući u obzir uvjete rada i posao koji je potrebno obaviti.** Upotreba stroja za radove za koje nije namijenjen može uzrokovati opasne situacije.
- **Ručke i prihvatne površine moraju biti suhe, čiste i bez tragova ulja i masti.** Skliske ručke i rukohvati otežavaju sigurno rukovanje i kontrolu nad strojem u neočekivanim situacijama.

Upotreba i održavanje baterijskog stroja

- **Bateriju punite samo punjačem koji navodi proizvođač.** Punjač prikladan za jednu vrstu baterije može uzrokovati opasnost od požara ako se upotrebljava s drugim baterijskim kompletom.
- **Stroj upotrebljavajte samo uz posebno namijenjene baterijske komplete.** Upotreba bilo kojeg drugog baterijskog kompleta može izazvati rizik od ozljede i požara.
- **Kad baterijski komplet ne upotrebljavate, držite ga dalje od drugih metalnih predmeta poput spojnica za papir, novčića, klučeva, čavala, vijaka ili drugih malih metalnih predmeta koji mogu spojiti priključke.** Kratki spoj priključaka baterije može uzrokovati opekline ili požar.
- **U uvjetima lošeg postupanja, iz baterije može štrnuti tekućina; izbjegavajte dodir s njom. Ako slučajno dođe do dodira, isperite vodom. Ako tekućina dođe u dodir s očima, potražite i liječničku pomoć.** Tekućina koja štrcne iz baterije može izazvati iritacije ili opekline.

- **Nemojte upotrebljavati oštećene ili modificirane baterijske pakete ili stroj.** Oštećene ili izmijenjene baterije mogu se ponašati nepredvidivo te uzrokovati požar, eksploziju ili opasnost od ozljede.
- **Baterijski komplet ili stroj nemojte izlagati plamenu ili neumjerenim temperaturama.** Izlaganje vatri ili temperaturama većima od 130 °C / 265 °F može dovesti do eksplozija.
- **Pridržavajte se svih uputa za punjenje, a baterijski komplet ili stroj nemojte puniti izvan temperaturnog raspona navedenog u uputama.** Neispravno punjenje ili držanje na temperaturama izvan navedenog raspona može oštetiti bateriju i povećati mogućnost od požara.
- **Stroj uvijek upotrebljavajte s obje ruke.** Držeći stroj s obje ruke sprječavate gubitak kontrole.
- **Stroj držite samo za izoliranu prihvatnu površine, jer flaks ili nož mogu dodirivati skriveno ožičenje.** Flaksovi ili noževi u dodiru sa žicom pod naponom mogu provoditi struju na sve metalne dijelove škara za živicu te rukovatelju zadati strujni udar.
- **Uvijek osigurajte dobro uporište i stroj upotrebljavajte samo na tlu.** Skliske ili nestabilne površine mogu uzrokovati gubitak ravnoteže ili gubitak kontrole nad strojem.
- **Stroj nemojte upotrebljavati na izrazito strmim kosinama.** Tako smanjujete opasnost od gubitka kontrole, klizanja i pada, pri čemu može doći do osobne ozljede.

Usluga

- **Servisiranje stroja prepustite kvalificiranoj stručnoj osobi i upotrebljavajte isključivo identične rezervne dijelove.** Time se osigurava održavanje sigurnosti stroja.
- **Oštećene baterijske komplete nikada nemojte servisirati.** Servisiranje baterijskih kompleta dopušteno je samo proizvođaču ili ovlaštenim servisnim distributerima.

Sigurnosna upozorenja za trimer za travu

- **Izbjegavajte upotrebu stroja tijekom loših vremenskih uvjeta, pogotovo ako postoji opasnost od grmljavinskog nevremena.** Time smanjujete opasnost od udara munje.
- **Temeljito provjerite ima li u području upotrebe proizvođača divjih životinja.** Stroj u radu može ozlijediti divlje životinje.
- **Temeljito pregledajte područje upotrebe stroja te uklonite sve kamenje, grane, žice, kosti i druge strane predmete.** Izbačeni predmeti mogu uzrokovati tjelesne ozljede.
- **Prije upotrebe stroja obavezno vizualno provjerite jesu li rezač, nož ili sklop noža i rezača neoštećeni.** Oštećeni dijelovi povećavaju opasnost od ozljede.
- **Pratite upute za zamjenu dodatne opreme.** Nepravilno zategnute pričvrstne matice ili vijci noža mogu oštetiti nož ili se mogu otpustiti.
- **Nosite zaštitu za vid, sluh, glavu i šake.** Odgovarajuća zaštitna oprema smanjit će tjelesne ozljede uzrokovane letećim krhotinama ili slučajnim kontaktom s rezačima ili flaksom.
- **Tijekom rada sa strojem obavezno nosite protukliznu zaštitnu obuću. Strojem nemojte rukovati bosonogi ni u otvorenim sandalama.** Tako tijekom košnje smanjujete vjerojatnost ozljede stopala pri s rezačima ili flaksom u pokretu.
- **Tijekom upotrebe stroja obavezno nosite duge hlače.** Vjerojatnost ozljeđivanja izbačenim predmetima povećava se kada je koža izložena.
- **Tijekom rada sa strojem onemogućite prilaz promatračima.** Izbačeni ostaci mogu uzrokovati ozbiljne tjelesne ozljede.
- **Stroj nemojte pogoniti iznad razine struka.** Tako smanjujete mogućnost slučajnog kontakta s rezačem ili nožem i osiguravate bolju kontrolu nad strojem u neočekivanim situacijama.
- **Pri rezanju napetog grmlja i mladice pazite na odsakivanje.** Po otpuštanju napetosti vlakana u drvetu grmlje ili mladica može udariti rukovatelja i/ili nekontrolirano odbaciti stroj.
- **Budite iznimno oprezni pri rezanju gustiša i mladica.** Tanak materijal može se zaplesti oko noža te biti odbačen prema vama ili vas povlačenjem izbaciti iz ravnoteže.
- **Održavajte kontrolu nad strojem i nemojte dodirivati rezače, flaksove ili noževe te druge opasne pokretne dijelove dok su još u pokretu.** Time smanjujete opasnost od ozljeđivanja na pokretnim dijelovima.
- **Stroj prenosite s isključenim motorom i uvijek podalje od tijela.** Pravilno rukujući sa strojem smanjujete vjerojatnost slučajnog kontakta s rezačem, flaksom ili nožem u pokretu.
- **Upotrebljavajte samo zamjenske rezače, flaksove, rezne glave i noževe koje navodi proizvođač.** Neodgovarajući zamjenski dijelovi mogu povećati opasnost od pucanja i mogućnost ozljeđivanja.
- **Pri uklanjanju zaglavljene materijala ili servisiranju stroja provjerite jesu li sve sklopke isključene, a baterijski komplet uklonjen.** Neočekivano pokretanje stroja tijekom uklanjanja zaglavljene materijala ili servisiranja može uzrokovati ozbiljne tjelesne ozljede.

Provjera prije uključivanja

- Uvijek uklonite bateriju kako biste spriječili slučajno pokretanje proizvoda. Prije svakog održavanja proizvoda uvijek uklonite bateriju.
- Prije upotrebe proizvoda i nakon svakog udara provjerite ima li znakova istrošenosti ili oštećenja te ih po potrebi popravite.
- Pregledajte radno područje. Uklonite sve slobodne predmete poput kamenja, razbijenog stakla, čavala, čelične žice, konopca, i sl. koji bi mogli biti izbačeni ili omotani oko rezača ili štitnika rezača.
- Provjerite ima li na motoru prljavštine i pukotina. Travu i lišće s motora očistite četkom. Nosite rukavice kada su potrebne.
- Glava trimera mora biti u potpunosti pričvršćena na trimer.
- Provjerite je li uređaj u savršenom radnom stanju. Provjerite zategnutost svih matica i vijaka.
- Glava trimera i štitnik reznog priključka ne smiju biti oštećeni ili napukli. Glavu trimera ili štitnik reznog priključka zamijenite ako su bili izloženi udarcu ili ako su napukli. Uvijek upotrebljavajte preporučeni štitnik za specifičan rezni pribor. Vidi poglavlje Tehnički podaci.
- Rukovatelj proizvodom tijekom rada mora onemogućiti pristup ljudima ili životinjama na bliže od 15 metara. Kada nekoliko rukovatelja radi na istom području sigurnosna udaljenost treba biti barem 15 metara.
- Prije upotrebe proizvoda provedite cjeloviti pregled. Pogledajte raspored održavanja.
- Način upotrebe mogli bi određivati nacionalni ili lokalni propisi. Poštujte navedene propise.

Zdrav razum treba prevladati

Nije moguće obuhvatiti sve situacije s kojima se možete susresti. Uvijek postupajte oprezno i slijedite zdrav razum. Izbjegavajte sve situacije izvan vaših sposobnosti. Ako se i nakon čitanja ovih uputa osjećate nesigurni u pogledu radnih postupaka, obratite se stručnoj osobi prije nastavka.



UPOZORENJE: Djeca ne smiju upotrebljavati stroj niti boraviti u njegovoj blizini. Budući da se uređaj može lako pokrenuti, djeca bi ga mogla aktivirati dok nisu pos strojnim nadzorom. To može rezultirati ozbiljnim tjelesnim ozljedama. Stoga odvojite bateriju kada stroj nije pod strogim nadzorom.

Opće sigurnosne upute



UPOZORENJE: Prije upotrebe proizvoda pročitajte upute upozorenja u nastavku.

- Uklonite bateriju kako biste spriječili slučajno pokretanje proizvoda.
- Ako ga upotrebljavate neoprezno ili nepravilno, ovaj proizvod je opasan alat. Ovaj proizvod može izazvati teške ozljede ili smrt rukovatelja ili drugih osoba.
- Nemojte upotrebljavati proizvod ako su mu promijenjene početne specifikacije. Nemojte mijenjati dio proizvoda bez odobrenja proizvođača. Upotrebljavajte isključivo dijelove s odobrenjem proizvođača. Nepravilno održavanje može uzrokovati ozljede ili smrt.
- Pregledajte proizvod prije upotrebe. Pogledajte *Sigurnosni uređaji na proizvodu na stranici 184* i *Pregled proizvoda na stranici 179*. Nemojte upotrebljavati proizvod koji je izmijenjen ili neispravan. Provodite sigurnosne provjere, održavanje i servis opisane u ovom priručniku.
- Djecu treba nadzirati kako se ne bi igrala s proizvodom. Upotrebu ili servisiranje proizvoda i/ili baterije nikada nemojte prepustiti djeci ili osobama bez odgovarajuće obuke. Dob korisnika može biti regulirana lokalnim zakonima.
- Proizvod čuvajte u zaključanom prostoru kako biste onemogućili pristup djeci ili osobama bez odobrenja.
- Proizvod spremite izvan dohvata djece.
- Ni u kojem slučaju ne smijete mijenjati dizajn proizvoda bez odobrenja od proizvođača. Obavezno upotrebljavajte originalnu dodatnu opremu. Neovlaštene izmjene i/ili rezervna oprema može uzrokovati ozbiljne osobne ozljede ili smrt rukovatelja ili drugih osoba.
- Navedena ukupna vrijednost vibracija izmjerena je u skladu sa standardnom metodom ispitivanja i može se upotrebljavati za usporedbu jednog alata s drugim.
- Navedena ukupna vrijednost vibracija može se upotrebljavati i za početnu procjenu izloženosti.
- Jačina vibracija tijekom upotrebe električnog alata može se razlikovati od navedene ukupne vrijednosti ovisno o načinu upotrebe alata. Kako bi se zaštitilo, rukovatelj mora odrediti sigurnosne mjere koje se temelje na procjeni izlaganja u stvarnim uvjetima upotrebe (u obzir treba uzeti sve dijelove radnog ciklusa, kao što je broj isključivanja alata i rad u praznom hodu uz regulator).

Napomena: Upotrebu mogu regulirati nacionalni ili lokalni propisi. Poštujte navedene propise.

Oprema za osobnu zaštitu



UPOZORENJE: Prije upotrebe proizvoda pročitajte upozoravajuće upute u nastavku.

- Prilikom uporabe proizvoda uvijek upotrebljavajte odobrenu osobnu zaštitnu opremu. Oprema za osobnu zaštitu ne može u potpunosti spriječiti ozljede, no smanjuje stupanj ozljede u slučaju

nezgode. Pri odabiru odgovarajuće opreme zatražite pomoć ovlaštenog trgovca.

- Upotrebljavajte odobrenu zaštitu sluha.

(Sl. 19)

- Upotrebljavajte odobrenu zaštitu za oči. Ako nosite vizir, morate nositi i odobrene zaštitne naočale. Odobrene zaštitne naočale moraju ispunjavati normu ANSI Z87.1 za SAD ili EN 166 za države EU-a.

(Sl. 20)

- Po potrebi nosite rukavice – primjerice prilikom pričvršćenja, pregleda ili čišćenja rezne opreme.

(Sl. 21)

- Nosite zaštitne čizme sa čeličnom kapicom i protukliznim potplatima.

(Sl. 22)

- Nosite odjeću napravljenu od čvrstog materijala. Uvijek nosite teške duge hlače i duge rukave. Nemojte nositi široku odjeću koja može zapinjati za grane i prutove. Ne nosite nakit, kratke hlače niti sandale. Ne budite bosonogi. Kosu podignite iznad ramena.
- Opremu za prvu pomoć držite u blizini.

(Sl. 23)

Sigurnosni uređaji na proizvodu



UPOZORENJE: Prije upotrebe proizvoda pročitajte upute upozorenja u nastavku.

U ovom odjeljku opisane su sigurnosne značajke proizvoda, njegova namjena te način provedbe provjera i održavanja za osiguranje ispravnog rada. Potražite upute pod naslovom *Uvod na stranici 179* kako biste pronašli položaj ovih dijelova na proizvodu.

Nepravilno održavanje te neprofesionalno servisiranje i/ili popravci proizvoda skraćuju vijek trajanja proizvoda i povećavaju opasnost od nezgoda. Sve dodatne informacije zatražite od najbližeg servisnog trgovca.



UPOZORENJE: Nikada nemojte upotrebljavati proizvod s oštećenim sigurnosnim komponentama. Provodite provjere i održavajte sigurnosnu opremu proizvoda prema uputama opisanim u ovom odjeljku. Ako proizvod ne zadovolji bilo koju od ovih provjera, obratite se serviseru radi popravka.



OPREZ: Potreban je specijalan tečaj za servisiranje i popravak stroja. Ovo se posebno odnosi na sigurnosnu opremu stroja. Ako stroj ne zadovolji neke od provjera navedenih u nastavku, obratite se serviseru. Pri kupnji naših proizvoda jamčimo dostupnost

profesionalnih popravaka i servisa. Ako prodavač koji vam je prodao proizvod nije zadužen i za servisiranje, zatražite adresu najbližeg servisera.

Provjera tipkovnice

1. Pritisnite i zadržite gumb za pokretanje/zaustavljanje (A). (Sl. 24)
 - a) Proizvod je uključen kada svijetli LED indikator (B).
 - b) Proizvod je isključen kada LED indikator (B) ne svijetli.
2. Pogledajte *Tipkovnica na stranici 190* ako svijetli ili trepće indikator upozorenja (C).

Provjera blokade okidača paljenja

Blokada okidača paljenja sprječava nehotično pokretanje. Pritiskom na blokadu okidača paljenja (A) otpuštate okidač paljenja (B). Kada otpustite ručku, okidač paljenja i blokada okidača paljenja vraćaju se na svoj početni položaj. (Sl. 25)

1. Provjerite je li okidač paljenja blokiran kada je blokada okidača paljenja u početnom položaju. (Sl. 26)
2. Pritisnite okidač paljenja i provjerite vraća li se po otpuštanju u početni položaj. (Sl. 27)
3. Provjerite pomiču li se okidač paljenja i blokada okidača paljenja slobodno te ispravnost povratne opruge. (Sl. 28)
4. Pokrenite proizvod. Pogledajte *Pokretanje proizvoda na stranici 188*.
5. Dajte puni gas.
6. Otpustite okidač paljenja i provjerite je li se rezni pribor potpuno zaustavio.

Provjera štitnika za rezni pribor



UPOZORENJE: Rezni pribor nemojte upotrebljavati bez odobrenih i pravilno ugrađenih štitnika za rezni pribor. Uvijek upotrebljavajte preporučeni štitnik za rezni pribor koji upotrebljavate, pogledajte *Tehnički podaci na stranici 191*. Ugradnjom neodgovarajućeg ili neispravnog štitnika za rezni pribor možete uzrokovati ozbiljne tjelesne ozljede.

Štitnik za rezni pribor zaustavlja predmete koji se izbacuju prema rukovatelju. Štitnik za rezni pribor također sprječava ozljede koje mogu nastati pri dodiru reznog pribora.

1. Zaustavite motor.
2. Vizualno potražite oštećenja, primjerice napukline.
3. Ako je štitnik za rezni pribor oštećen, zamijenite ga.

Rezna oprema

Odaberite odgovarajuću reznu opremu i redovito je održavajte kako biste:

- Ostvarili najučinkovitije rezanje.
- Produljili vijeka trajanja rezne opreme.



UPOZORENJE: Upotrebljavajte samo preporučene rezne nastavke i štitnikel! Pogledajte *Odobrena dodatna oprema na stranici 193*. U uputama za rezni priključak potražite kako pravilno postaviti flaks trimera i plastične noževe.



UPOZORENJE: Oštećeni rezni nastavak povećava opasnost od nezgode.



UPOZORENJE: Prije rada na reznom priključku obavezno obustavite napajanje. On se nastavlja vrtjeti čak i nakon otpuštanja regulatora gasa. Prije početka rada provjerite je li se rezni priključak potpuno zaustavio te odspojite bateriju od proizvoda.

Rezni pribor



UPOZORENJE: Flaks trimera uvijek čvrsto i ravnomjerno zategnite oko bubnja kako biste spriječili štetne vibracije.

(Sl. 29)

- Upotrebljavajte samo preporučene rezne nastavke.
- Duljina flaksa trimera također je važna. Za duži flaks trimera potrebna je veća snaga motora nego za kraći flaks trimera istog promjera.
- Provjerite je li ispravan rezač na štitniku reznog priključka. On flaks trimera skraćuje na pravilnu duljinu.
- Prije upotrebe nekoliko dana flaks trimera namačite u vodi kako biste mu produljili vijek trajanja.

Sigurnost baterije



UPOZORENJE: Prije upotrebe proizvoda pročitajte upute upozorenja u nastavku.

- Upotrebljavajte isključivo baterije serije BLi i 40-B. Detalje pogledajte pod *Tehnički podaci na stranici 197*. Baterija je softverski šifrirana.
- Upotrebljavajte isključivo punjive baterije serije BLi i 40-B za napajanje odgovarajućih proizvoda tvrtke Husqvarna. Bateriju nemojte upotrebljavati za napajanje drugih proizvoda jer postoji opasnost od ozljeda.

- Opasnost od strujnog udara. Polove baterije nemojte spajati s ključevima, kovanicama, vijcima ili drugim metalom. Tako može doći do kratkog spoja baterije.
- Nemojte upotrebljavati baterije koje nisu punjive.
- Nemojte umetati predmete u zračne urebe baterije.
- Bateriju zaštitite od sunčeve svjetlosti, vrućine i otvorenog plamena. Baterija može uzrokovati opekline i/ili kemijske opekline.
- Zaštitite bateriju od kiše i mokrih uvjeta.
- Zaštitite bateriju od mikrovalova i visokog tlaka.
- Bateriju nemojte rastavljati ili razbijati.
- Ako baterija počne propuštati, nemojte dopustiti da vam tekućina dospije na kožu ili u oči. Ako ste dodiruli tekućinu, isperite površinu velikom količinom sapunice i zatražite medicinsku pomoć. Ako vam je tekućina prodrla u oči, nemojte ih trljati. Najmanje 15 minuta ispirite ih vodom te zatražite medicinsku pomoć.
- Bateriju upotrebljavajte u rasponu temperatura od -10 °C (14 °F) i 40 °C (114 °F).
- Bateriju ili punjač baterije nikada nemojte čistiti vodom. Pogledajte *Čišćenje proizvoda, baterije i punjača baterije na stranici 189*.
- Nemojte upotrebljavati neispravnu ili oštećenu bateriju.
- Baterije skladištite dalje od metalnih predmeta poput čavala, vijaka ili nakita.
- Bateriju držite podalje od djece.

Sigurnost punjača baterije



UPOZORENJE: Prije upotrebe proizvoda pročitajte upute upozorenja u nastavku.

- Nepoštivanje sigurnosnih uputa može uzrokovati električni udar ili kratki spoj.
- Upotrebljavajte isključivo punjače baterija isporučene uz proizvod. Upotrebljavajte isključivo punjače QC80 i 40-C80 za punjenje zamjenskih baterija iz serija BLi i 40-B.
- Nemojte rastavljati punjač baterije.
- Nemojte upotrebljavati neispravnu ili oštećenu bateriju ni punjač baterije.
- Punjač baterije nemojte podizati za električni kabel. Za odspajanje punjača baterije od zidne utičnice izvucite utikač. Nemojte povlačiti kabel za napajanje.
- Sve kabele i produžne kabele držite podalje od vode, ulja i oštiri rubova. Kabel nemojte zahvatiti predmetima, npr. vratima, ogradama i sl.
- Punjač baterije nemojte upotrebljavati u blizini zapaljivih materijala ili materijala koji mogu uzrokovati koroziju. Punjač baterije ne smije biti prekriven. Ako dođe do razvoja dima ili požara, odspojite utikač punjača baterije.
- Bateriju punite isključivo u zatvorenom, dobro prozračenom zatvorenom prostoru bez izravne sunčeve svjetlosti. Baterije nemojte puniti na

otvorenom. Bateriju nije dopušteno puniti u vlažnim uvjetima.

- Punjač baterije upotrebljavajte isključivo na temperaturama između 5 °C (41 °F) i 40 °C (104 °F). Punjač baterije upotrebljavajte u prozračnom i suhom okruženju bez prašine.
- Nemojte umetati predmete u rashladne urene punjača baterije.
- Nikada nemojte priključivati ​​terminale punjača baterije na metalne predmete jer tako možete izazvati kratki spoj na punjaču baterija.
- Upotrebljavajte neoštećene i odobrene mrežne utičnice. Uvjerite se da kabel punjača baterije nije oštećen. Ako upotrebljavate produžni kabel, provjerite da nije oštećen.
- Punjačima baterije nije dopušteno puniti baterije koje se ne mogu puniti.

Sigurnosne upute za održavanje



UPOZORENJE: Prije održavanja proizvoda pročitajte upozoravajuće upute u nastavku.

- Uklonite bateriju prije održavanja, drugih provjera ili sastavljanja proizvoda.
- Rukovatelj smije provoditi samo radove održavanja i servisiranja opisane u ovom korisničkom priručniku. Za veća održavanja i servisiranje obratite se serviseru.
- Bateriju ili punjač baterije nikada nemojte čistiti vodom. Jači deterđent može oštetiti plastiku.
- Ako ne provodite održavanje, smanjujete vijek trajanja stroja i povećavate opasnost od nezgoda.
- Sva servisiranja i popravci uvjetuju posebnu obuku, posebice oni na sigurnosnim uređajima na proizvodu. Ako nakon provedbe održavanja nisu odobrene sve provjere iz ovog korisničkog priručnika, obratite se serviseru. Jamčimo dostupnost profesionalnih popravaka i servisiranja za vaš proizvod.
- Koristite samo originalne rezervne dijelove.

Sastavljanje

Uvod



UPOZORENJE: Prije sklapanja proizvoda s razumijevanjem pročitajte poglavlje o sigurnosti.

Postavljanje štitnika reznog pribora

1. Postavite štitnik reznog priključka uz kućište motora. (Sl. 30)
2. Provjerite pričvrzne kuke. (Sl. 31)
3. Pritegnite vijak. Koristite kombinirani ključ. (Sl. 32)
4. Pritegnite vijak.

Zamjena reznog priključka

1. Umetnite kombinirani ključ u otvor kako biste zaključali vratilo. (Sl. 33)
2. Okrećite rezni priključak i pažljivo pritišćite kombinirani ključ sve dok ne blokirate izlazno vratilo.
3. Okrenite rezni priključak u smjeru kretanja kazaljke na satu kako biste ga uklonili. Prije ugradnje reznog priključka provjerite je li postavljen pogonski disk. (Sl. 34)
4. Novi rezni priključak ugradite obrnutim redoslijedom. (Sl. 35) (Sl. 36)

Napomena: Prije ugradnje reznog priključka provjerite je li pogonski disk pravilno ugrađen.

Ugradnja štitnika za biljke

1. Štitnik za biljke ugradite u otvore na kućištu motora. (Sl. 37)
2. Provjerite „može li se štitnik za biljke može neometano pomicati naprijed i natrag. (Sl. 38)

Sastavljanje okrugle ručke

1. Vijak postavite u okruglu ručku. (Sl. 39)
2. Postavite okruglu ručku na pribor na osovini.
3. Zategnite vijke.
4. Namjestite okruglu ručku u ispravan položaj. Pročitajte odjeljak *Podešavanje okrugle ručke i teleskopskog vratila na stranici 188.*

Postavljanje punjača baterije 40-C80 na zid



OPREZ: Punjač baterije na zid nemojte instalirati s pomoću ispitivača napona. Ispitivačem napona možete oštetiti punjač baterije.

1. Punjač baterije na zid postavite s 2 vijka (A). Ako je potrebno, primijenite tiple (B). (Sl. 40)
2. Postavite dva čepa provrta za vijke (C).
3. Kabel napajanja (D) priključite u punjač baterije i mrežnu utičnicu.

Rad

Uvod



UPOZORENJE: Prije upotrebe proizvoda pročitajte i usvojite poglavlje o sigurnosti.

Prije rada s proizvodom

- Pregledajte radno područje kako biste se uvjerali da poznajete tu vrstu terena. Pregledajte nagib tla te provjerite ima li kakvih prepreka, kao što su kamenja, grane i rupe.
- Provedite opći pregled proizvoda.
- Provedite sigurnosne preglede, održavanje i servisiranje iz ovog priručnika.
- Provjerite ima li na motoru prljavštine i pukotina. Četkom s motora očistite travu i lišće. Po potrebi nosite rukavice.
- Pregledajte ima li na glavi trimera i štitniku za rezni pribor oštećenja ili pukotina. Zamijenite glavu trimera i štitnik za rezni pribor ako su udareni ili ako su napukli.
- Provjerite jesu li sve matice i vijci zategnuti.
- Prije pokretanja proizvoda provjerite jesu li svi poklopci, štitnici, ručke i rezni pribor neoštećeni i pravilno pričvršćeni.

Baterija



UPOZORENJE: Prije upotrebe baterije pročitajte i usvojite poglavlje o sigurnosti. Pročitajte i usvojite korisnički priručnik za bateriju i punjač baterije.

Bateriju i punjač čuvajte na ispravnoj temperaturi okoline.

	Temperatura okoline
Rad proizvoda	-5 °C – 40 °C / 23 °F – 104 °F
Punjenje baterije	5 °C – 40 °C / 41 °F – 104 °F

Status baterije

Na zaslonu se prikazuje stanje napunjenosti te postoje li problemi s baterijom.

(Sl. 41)

LED indikator	Stanje baterije (stanje napunjenosti)	
	BLI10, BLI20	40-B70, 40-B140
Uključena su četiri LED indikatora	N/D	Baterija je napunjena 76% – 100%.
Uključena su tri LED indikatora	Baterija je napunjena 76% – 100%.	Baterija je napunjena 51% – 75%.
Uključena su dva LED indikatora	Baterija je napunjena 51% – 75%.	Baterija je napunjena 26% – 50%.
Uključen je jedan LED indikator	Baterija je napunjena 26% – 50%.	Baterija je napunjena 6% – 25%.
Trepće jedna LED žaruljica	Baterija je napunjena 0% – 25%.	Baterija je napunjena 0% – 5%.

Zamjena baterije

Napunite bateriju pri prvoj upotrebi. Nova je baterija napunjena samo 30%.



OPREZ: Spojite punjač baterije samo na strujnu utičnicu s naponom i frekvencijom koji su navedeni na natpisnoj pločici.

Baterija se neće puniti ako je njezina temperatura veća od 50 °C / 122 °F.

1. Priključite punjač baterije na električnu utičnicu.

2. Punjač baterije priključite na uzemljenu strujnu utičnicu. LED indikator punjenja zatreptat će jedanput. (Sl. 42)
3. Priključite bateriju na punjač baterije. Uključuje se LED indikator punjenja. Bateriju puniti najdulje 24 sata. (Sl. 43)
4. Pritisnite gumb indikatora baterije kad svijetle svi LED indikator – baterija je potpuno napunjena.
5. Za odvajanje punjača baterije od strujne utičnice izvucite njegov strujni utikač. Nemojte povlačiti kabel za napajanje.
6. Izvadite bateriju iz punjača baterije.

Priključivanje baterija na proizvod



UPOZORENJE: S proizvodom upotrebljavajte samo početnu bateriju tvrtke Husqvarna.

1. U potpunosti napunite bateriju.
2. Umetnite bateriju u držač baterije na proizvodu. Baterija se učvršćuje u položaju škljocajem. (Sl. 44)



OPREZ: Ako se baterija ne umeće lako u držač baterije, nije ispravno ugrađena. Tako možete oštetiti proizvod.

Pokretanje proizvoda

1. Pritisnite i držite gumb za pokretanje/zaustavljanje dok se ne uključi zeleni LED indikator. (Sl. 45)
2. Pritisnite blokadu okidača paljenja i okidač paljenja. Rezna oprema počinje se okretati.

Podešavanje okrugle ručke i teleskopskog vratila

1. Otpustite ručicu za završljavanje i namjestite okruglu ručku u pravilan položaj. (Sl. 46)
2. Zatvorite ručicu za završljavanje.
3. Otpustite ručicu na vratilu. (Sl. 47)
4. Postavite potrebnu duljinu vratila. Trokut na osovini mora biti vidljiv. (Sl. 48)
5. Zatvorite ručicu i zategnite vijak.

Napomena: Nemojte postavljati okrugle ručke na Naljepnicu upozorenja na osovini.

Upotreba funkcije SavE

Proizvod je opremljen funkcijom štednje energije pod nazivom SavE.

Napomena: Funkcija SavE ne umanjuje snagu rezanja proizvoda.

1. Pritisnite gumb SavE na tipkovnici.
2. Pričekajte da se uključi zeleni LED indikator.
3. Ponovno pritisnite gumb SavE kako biste prekinuli funkciju. Isključuje se zeleni LED indikator. (Sl. 49)

Funkcija automatskog isključenja

Proizvod ima funkciju isključenja koja ga isključuje kada se ne upotrebljava. Zeleni LED indikator za pokretanje/zaustavljanje isključuje se, a proizvod se zaustavlja nakon 180 sekundi.

Rad s proizvodom

Košnje trave

1. Plastični noževi ili flaks trimera tijekom košnje trave trebaju biti paralelni s tlom. (Sl. 50)
2. Tri-Cut ili glavu trimera nemojte pritiskati na tlo. Tako možete oštetiti proizvod.

Napomena: Niska temperatura okoline bliska 0 °C može uzrokovati pucanje noža ili flaksa trimera.

3. Pri košnji trave pomičite proizvod s jedne na drugu stranu. (Sl. 51)

Napomena: Nemojte upotrebljavati proizvod s oštećenim reznim priključkom. Oštećeni rezni priključak može uzrokovati neravnotežu koja može oštetiti proizvod.

Čišćenje trave

Protok zraka vrtećih plastičnih noževa ili flaksa trimera možete upotrijebiti za uklanjanje odrezane trave iz područja.

1. Glavu trimera, plastične noževe ili flaks trimera držite paralelno iznad tla.
2. Dajte puni gas.
3. Pomičite rezni priključak s jedne na drugu stranu i počistite travu.



UPOZORENJE: Pri svakom postavljanju novih plastičnih noževa ili flaksa trimera očistite poklopac reznog priključka kako biste spriječili neuravnoteženost i vibracije na ručkama. Također pregledajte druge dijelove reznog priključka i po potrebi ih očistite.

Obrezivanje uz predmete

1. Spustite štitnik za biljke. (Sl. 52)
2. Štitnik za biljke upotrebljava se radi sprječavanja oštećenja drugih predmeta. (Sl. 53)

Zaustavljanje proizvoda

1. Otpustite okidač paljenja i blokadu okidača paljenja.
2. Pritisnite i držite gumb za pokretanje/zaustavljanje dok se ne isključi zeleni LED indikator.
3. Pritisnite gume za otpuštanje na bateriji i izvadite bateriju iz proizvoda. (Sl. 54)

Zamjena plastičnih noževa ili flaksa trimera

Pogledajte posljednje stranice u ovom korisničkom priručniku.

Održavanje

Uvod



UPOZORENJE: Prije održavanja proizvoda pročitajte i usvojite sigurnosno poglavlje.

U nastavku je popis koraka održavanja neophodnih za održavanje proizvoda. Više informacija potražite pod *Pregled proizvoda na stranici 179.*

Raspored održavanja



UPOZORENJE: Prije održavanja izvadite bateriju.

Održavanje	Dnevno	Tjedno	Mjesečno
Vanjske dijelove proizvoda očistite suhom krpom. Nemojte prati vodom.	X		
Provjerite je li gumb za pokretanje i zaustavljanje ispravan i neoštećen.	X		
Iz sigurnosnih razloga provjerite ispravnost okidača paljenja i blokade okidača paljenja.	X		
Provjerite jesu li ručke suhe i čiste.	X		
Provjerite je li štitnik reznog pribora neoštećen. Ako je štitnik reznog pribora oštećen, zamijenite ga.	X		
Provjerite jesu li ručka ili upravljač neoštećeni i pravilno pričvršćeni.	X		
Provjerite mehanizam za blokiranje teleskopskog vratila. Pogledajte <i>Provjera mehanizma za zaključavanje teleskopskog vratila na stranici 190.</i>	X		
Pregledajte punjač baterije i uvjerite se da radi ispravno i da je neoštećen.	X		
Provjerite je li baterija neoštećena.	X		
Provjerite je li baterija napunjena.	X		
Provjerite je li punjač baterije neoštećen.	X		
Provjerite jesu li vanjski vijci i matice pritegnuti.		X	
Provjerite jesu li gumbi za otpuštanje na bateriji ispravni i pričvršćuju li bateriju pravilno u proizvodu.		X	
Provjerite ima li maziva u kolutu glave trimera.		X	
Očistite i pregledajte priključke između baterije i proizvoda.			X
Očistite i pregledajte priključak između baterije i punjača baterije.			X

Pregled baterije i punjača baterije

1. Provjerite ima li na bateriji oštećenja, primjerice pukotina.
2. Provjerite ima li na punjaču baterije oštećenja, primjerice pukotina.
3. Provjerite je li priključni kabel punjača baterije neoštećen te je li ispucao.

Čišćenje proizvoda, baterije i punjača baterije

1. Proizvod nakon upotrebe očistite suhom krpom.
2. Bateriju i punjač baterije čistite suhom krpom. Vodilice za bateriju održavajte čistima.
3. Prije umetanja baterije u punjač baterije ili proizvod provjerite jesu li čisti priključci baterije i punjača baterije.

Pregledajte i zamijenite Tri-Cut

1. Provjerite je li Tri-Cut oštećen ili napukao.
2. Uklonite Tri-Cut. Pogledajte „Uklanjanje glave Tri-Cut na posljednjoj stranici korisničkog priručnika“.
3. Ugradite Tri-Cut. Pogledajte *Zamjena reznog priključka na stranici 186*.

Provjera mehanizma za zaključavanje teleskopskog vratila

1. Provjerite mehanizam za blokiranje teleskopskog vratila.
2. Prilagodite silu zateznog momenta. (Sl. 55)

Rješavanje problema

Tipkovnica

LED zaslon	Moguće pogreške	Moguća rješenja
Trepće LED indikator za pogreške.	Preopterećenje	Rezni pribor ne može se slobodno pomicati. Otpustite priključak za rezanje.
	Odstupanje temperature	Pričekajte na hlađenje proizvoda.
Proizvod se ne pokreće.	Pritisnite okidač paljenja i istovremeno pritisnite dugme za paljenje.	Otpustite okidač paljenja i zaustavite proizvod.
Uključuje se crveni LED indikator pogreške.	Nužno je servisirati proizvod	Razgovarajte sa svojim servisnim zastupnikom.

Baterija

LED zaslon	Moguće pogreške	Moguća radnja
Trepće zeleni LED indikator.	Nizak napon baterije.	Napunite bateriju.
Trepće LED indikator za pogreške.	Odstupanje temperature.	Bateriju upotrebljavajte u rasponu temperatura od -10°C (14°F) i 40°C (104°F).
	Prevelik napon.	Provjerite odgovara li napon mreže naponu navedenom na natpisnoj pločici proizvoda.
		Izvadite bateriju iz punjača baterije.
Uključen je LED indikator za pogreške.	Prevelika razlika između ćelija (1 V).	Razgovarajte sa svojim servisnim zastupnikom.

Punjač baterije

Problem	Moguće pogreške	Moguće rješenje
LED indikator punjenja crvene je boje.	Trajni problem punjača baterije.	Obratite se zastupniku.
LED indikator punjenja trepće zelenom bojom.	Odstupanje od temperature, baterija je ili prehladna ili prevruća za upotrebu ili punjenje.	Pustite da se baterija ohladi ili zagrije. Kada baterija postigne pravu temperaturu, možete je ponovo upotrebljavati ili puniti. Punjač baterije upotrebljavajte na temperaturi okoline između 5 °C (41 °F) i 40 °C (104 °F).

Problem	Moguće pogreške	Moguće rješenje
LED indikator punjenja trepće crvenom bojom.	Neispravna baterija.	Obratite se zastupniku.

Prijevoz, spremanje i zbrinjavanje

Prijevoz i skladištenje

- Isporučene litij-ionske baterije podliježu zahtjevima propisa o opasnim proizvodima.
- Pridržavajte se posebnih zahtjeva o pakiranju i označavanju u komercijalnom transportu, uključujući treće strane i prijevoznike.
- Prije slanja proizvoda obratite se osobi s posebnom obukom za opasni materijal. Pridržavajte se svih mjerodavnih nacionalnih propisa.
- Kada bateriju stavljate u pakiranje, otvorene kontakte prelijepite trakom. Učvrstite bateriju u pakiranje kako biste onemogućili pomicanje.
- Izvadite bateriju prilikom prijevoza ili skladištenja.
- Bateriju i punjač baterije spremite u suh prostor bez vlage i mraza.
- Bateriju nemojte spremati u prostor u kojem može nastati statički elektricitet. Bateriju nemojte čuvati u metalnoj kutiji.
- Bateriju uskladištite na mjestu s temperaturom između 5 °C/41 °F i 25 °C/77 °F te izvan izravnog sunčeva svjetla.
- Punjač baterije uskladištite na mjestu s temperaturom između 5 °C / 41 °F i 45 °C / 113 °F te izvan izravnog sunčeva svjetla.
- Punjač baterije upotrebljavajte samo pri temperaturama okoline između 5 °C/41 °F i 40 °C/104 °F.
- Prije dugotrajnog skladištenja bateriju napunite na 30 % do 50 %.
- Punjač baterije uskladištite u zatvorenom i suhom prostoru.
- Tijekom skladištenja bateriju držite podalje od punjača baterije. Djeci i drugim neovlaštenim osobama onemogućite dodirivanje opreme. Opremu spremite u prostor koji možete zaključati.
- Prije dugotrajnog skladištenja proizvoda očistite ga i provedite cjeloviti servis.
- Na proizvod prije transporta i skladištenja postavite prijenosni štitičnik kako biste spriječili ozljede ili oštećenje proizvoda.
- Čvrsto pričvrstite proizvod tijekom transporta.

Zbrinjavanje baterije, punjača baterije i proizvoda

Oznake na proizvodu ili ambalaži proizvoda znače da se proizvod ne pripada u komunalni otpad. Reciklirajte ga u reciklažnoj stanici za električnu i elektroničku opremu. Tako sprječavate oštećenje okoliša i ozljeđivanje osoba.

Više informacija o recikliranju proizvoda zatražite od lokalnih vlasti, komunalne službe ili distributera.

Tehnički podaci

Tehnički podaci

	215iL-TC
Motor	
Vrsta motora	BLDC
Broj okretaja izlazne osovine, o/min	6800
Širina rezanja, mm	255
Težina	
Težina bez baterije, kg	2,9

	215iL-TC
Emisije buke ³¹	
Razina jačine zvuka, mjerena u dB (A)	90,8
Razina jačine zvuka, zajamčena L _{WA} dB (A)	93
Razine buke ³²	
Ekvivalentna razina buke pri uhu rukovatelja, izmjerena sukladno IEC 62841-4-4, dB (A)	81,3
Razine vibracije ³³	
Razine vibracija na ručkama, izmjerene sukladno IEC 62841-4-4, m/s ²	3,0 / 2,7
Opremljeno glavom trimera (original), sprijeda/straga.	

Baterije odobrene za proizvod

Baterija	BLI10		BLI20		40-B70	40-B140
Vrsta	Litij-ion		Litij-ion		Litij-ion	Litij-ion
Kapacitet baterije, Ah	Pogledajte nazivnu naljepnicu baterije		Pogledajte nazivnu naljepnicu baterije		Pogledajte nazivnu naljepnicu baterije	Pogledajte nazivnu naljepnicu baterije
Nazivni napon, V	36.	36,5	36.	36,5	36.	36.
Težina, lb/kg	0,7	0,7	1,2	1,2	0,8	1,25

Odobreni punjači baterije za proizvod

Punjač baterije	QC80	40-C80
Mrežni napon, V	100 – 240	100 – 240
Frekvencija, Hz	50 – 60	50 – 60
Snaga, W	100	72
Izlazni napon, V i. s. / Amperi, A	36/2	43/1,6

³¹ Emisije buke u okoliš izmjerene kao jačina zvuka (L_{WA}) u skladu s Direktivom EZ 2000/14/EC. Razlika između zajamčene i izmjerene razine zvuka jest da zajamčena razina uključuje i raspršenje rezultata mjerenja i varijacija između različitih proizvoda istog modela u skladu s Direktivom 2000/14/EZ.

³² Navedeni podaci za ekvivalentnu razinu tlaka zvuka za proizvod obuhvaćaju tipično statističko raspršenje (standardno odstupanje) od 3 dB (A).

³³ Podaci o razini vibracije pokazuju tipičnu statističku disperziju (standardnu devijaciju) od 1,5 m/s².

Dodatna oprema

Odobrena dodatna oprema

Odobrena dodatna oprema	Vrsta	Štitnik za rezni nastavak, kat. br.
Glava trimera	R25B (žica Ø 2 mm)	529 96 69-01
Glava trimera	Tri-Cut B (255 mm)	529 96 69-01

Izjava o sukladnosti

EU izjava o sukladnosti

Mi, **Husqvarna AB**, SE-561 82 Huskvarna, Švedska, tel.: +46-36-146500, pod punom odgovornošću izjavljujemo da proizvod:

Opis	Baterijski trimmer za travu
Marka	Husqvarna
Vrsta/model	215iL-TC
Identifikacija	Serijski brojevi iz 2025 i noviji

i potpunosti su sukladni sljedećim EU direktivama i propisima:

Direktiva/ propis	Opis
2006/42/EC	„o strojevima“
2014/30/EU	„koja se odnosi na elektromagnetsku kompatibilnost“
2000/14/EC	„koja se odnosi na emisije buke u okoliš“
2011/65/EU	„o ograničenoj upotrebi određenih opasnih tvari u električnoj i elektroničkoj opremi“

i primjenjuju se sljedeće norme i/ili tehničke specifikacije: EN 62841-1:2015+A11:2022, IEC 62841-4-4:2020, EN ISO 12100:2010, EN IEC 63000:2018, EN IEC 55014-1:2021; EN IEC 55014-2:2021.

Prijavljeno tijelo: 0036 TÜV SÜD Industrie Service GmbH, Westendstraße 199, 80686 München, Germany, certificiralo je sukladnost s Direktivom Vijeća 2000/14/EC, postupak kontrole kvalitete: Dodatak VI.

Informacije o emisiji buke potražite u odjeljku *Tehnički podaci na stranici 191*.

Huskvarna, 2025-01-10



Claes Losdal, Menadžer odjela za istraživanje i razvoj, Husqvarna AB

Osoba odgovorna za tehničku dokumentaciju



TARTALOMJEGYZÉK

Bevezető.....	195	Szállítás, tárolás és ártalmatlanítás.....	208
Biztonság.....	196	Műszaki adatok.....	208
Összeszerelés.....	203	Tartozékok.....	210
Üzemeltetés.....	203	Megfelelőségi nyilatkozat.....	211
Karbantartás.....	205	Melléklet	478
Hibaelhárítás.....	207		

Bevezető

Termékleírás

A Husqvarna 215iL-TC egy elektromos motorral rendelkező, akkumulátoros szegélyvágó.

Folyamatosan dolgozunk azon, hogy javítani tudjuk az ügyfeleink használat közbeni biztonságát és hatékonyságát. További tájékoztatásért forduljon az illetékes szakszervizhez.

Rendeltetészerű használat

A termék nem fémből készült műanyag késekkel használható. Ne használja a terméket gyom, fű vagy hasonló, puha növényzet nyírásától eltérő feladatra.

A termék áttekintése

(ábra 1)

1. Tri-Cut vágófeje
2. A vágófelszerelés védőburkolata
3. Nyél
4. Nyélbeállítás (teleszkóp)
5. Hurokfogantyú
6. Billentyűzet
7. Billentyűzet figyelmeztetésjelzője
8. Indító-/leállítógomb
9. SavE gomb
10. Kapcsológomb
11. Kapcsológomb retesze
12. Bekapcsolás- és figyelmeztetésjelző
13. Csatlakozó
14. Akkumulátortöltő, 40-C80
15. Növényvédő
16. Akkumulátor figyelmeztetésjelzője
17. Az akkumulátor állapota
18. Akkumulátorjelző gomb
19. Akkumulátorkioldó gombok
20. Akkumulátor
21. Kombinált kulcs
22. Hajtótárcsa
23. Kezelői kézikönyv

Megjegyzés: A termék működtetésére nemzeti jogszabályok általi korlátozások vonatkozhatnak.

Csak a gyártó által jóváhagyott tartozékokat használjon. Lásd: *Tartozékok210. oldalon.*

A terméken található jelzések

(ábra 2) FIGYELMEZTETÉS: A termék veszélyes lehet a kezelőre és másokra, valamint a súlyos sérüléseket és halálukat okozhatja. Körültekintően járjon el, és megfelelően használja a terméket.

(ábra 3) Olvassa el figyelmesen a használati utasítást, és győződjön meg arról, hogy megértette azt, mielőtt a terméket használatba veszi.

(ábra 4) Viseljen szem- és fülvédő felszerelést.

(ábra 5) Óvja a terméket az esőtől.

(ábra 6) A környezeti zajkibocsátásra vonatkozó címke az EU-s (beleértve a New South Wales területén érvényes szabályozást) és az egyesült királyságbeli irányelveknek és szabályozásoknak megfelelően. A zajszennyezésre vonatkozó adatok a gép címkéjén és a Műszaki adatok című fejezetben találhatóak. Csak akkor érvényes, ha a termék vágódamillal van felszerelve.

(ábra 7)	Ügyeljen az esetlegesen kirepülő tárgyakra.	újrahasznosítására szolgáló ponton kell elvégezni.
(ábra 8)	Karbantartás előtt válassza le az akkumulátort.	(ábra 10) Ez a termék megfelel a vonatkozó EU-irányelveknek.
(ábra 9)	A termék és a termék csomagolása nem minősül háztartási hulladéknak. Újrahasznosítását egy elektromos és elektronikus berendezések	(ábra 11) A termék megfelel a vonatkozó egyesült királyságbeli irányelveknek.
		(ábra 12) Egyenáram.
(ábra 16)	A gép és a közelben tartózkodók közötti távolságnak legalább 15 m-nek (50 láb) kell lennie.	
(ábra 17)	Ne használjon fémkést.	
ééééhxxxx	A típustáblán vagy a lézernyomatott jelölésen megtalálható a sorozatszám. éééé a gyártási év és hh pedig a gyártási hét.	

Szimbólumok az akkumulátoron, illetve az akkumulátortöltőn

(ábra 18)	A termék újrahasznosítását elektromos és elektronikus berendezések újrahasznosítására szolgáló ponton kell elvégezni. (Kizárólag Európára vonatkozik)
(ábra 13)	Meghibásodásbiztos transzformátor.
(ábra 14)	Az akkumulátortöltőt kizárólag beltérben szabad használni és tárolni.

(ábra 15) Kettős szigetelés.

A termék károsodása

A termékben keletkezett károkért nem vállalunk felelősséget, amennyiben:

- a termék javítását helytelenül végezték;
- a termék javítása nem a gyártótól származó vagy általa jóváhagyott alkatrészekkel történt;
- a terméket nem a gyártótól származó vagy általa jóváhagyott kiegészítővel szerelték fel;
- a termék javítását nem hivatalos szakszerviz vagy jóváhagyott egyéb szerviz végezte.

Biztonság

Biztonsági meghatározások

A figyelmeztetések, óvintézkedések és megjegyzések a használati utasítás kiemelten fontos részeire hívják fel a figyelmet.



FIGYELMEZTETÉS: Akkor használatos, ha a kézikönyv utasításainak be nem tartása esetén fennáll a kezelő vagy a közelben tartózkodók sérülésének vagy halálának veszélye.



VIGYÁZAT: Akkor használatos, ha a kézikönyv utasításainak be nem tartása esetén fennáll a vagyoni kár, illetve a termék vagy a környező terület károsodásának veszélye.

Megjegyzés: További információt biztosít az adott helyzetben szükséges tennivalókról.

Általános gépbiztonsági útmutatások



FIGYELMEZTETÉS: **Olvassa el a jelen gépre vonatkozó összes biztonsági utasítást, útmutatást, ábrát és előírást.** *Az alább felsorolt utasítások figyelmen kívül hagyása áramütést, tüzet és/vagy komoly sérülést okozhat.*

Tegyen el minden figyelmeztetést és utasítást, mert a jövőben szüksége lehet rájuk.

Megjegyzés: A „gép” kifejezés a figyelmeztetésekben a hálózatról működő (vezetékes) gépekre vagy az akkumulátorról (vezeték nélküli) működő gépekre vonatkozik.

A munkaterület biztonsága

- **Tartsa a munkaterületet tisztán és világítsa meg jól.** A zsúfolt vagy sötét területeken könnyen bekövetkeznek balesetek.
- **Ne működtesse a gépet robbanásveszélyes környezetben, például gyúlékony folyadékok, gázok vagy por jelenlétében.** A gép szikrát vehet, ami lángra lobbanthatja a port vagy a gőzöket.
- **A gyermekeket és más személyeket tartsa távol a gép üzemeltetése alatt.** Ha bármi elvonja a figyelmét, elveszítheti a készülék feletti ellenőrzést.

Elektromos biztonság

- **A gép dugaszának illeszkednie kell az aljzatba. Soha, semmilyen módon ne módosítsa a dugaszt. Ne használjon adaptercsatlakozót a földelt géphez.** Kiseb az áramütés veszélye, ha eredeti dugókat és hozzájuk illő aljzatokat használ.
- **Kerülje el az érintkezést a földelt felületekkel, pl. csövekkel, radiátorokkal, tűzhelyekkel és hűtőszekrényekkel.** Megnövekszik az áramütés veszélye, ha teste le van földelve.
- **Ne tegye ki a gépet esőnek vagy nedves környezetnek.** A gépbe jutó víz növeli az áramütés kockázatát.
- **Ne bánjon durván a kábellel. A kábelt ne használja a gép hordozására, húzására vagy a dugasz kihúzására. Tartsa távol a kábelt hőtől, olajtól, éles széléktől vagy mozgó alkatrészekről.** A megsérült vagy összegabalyodott kábel megnöveli az áramütés kockázatát.
- **Ha kültéren használja a gépet, használjon kültéri használatra alkalmas hosszabbítókábelét.** A kültéri alkalmazáshoz megfelelő hosszabbító használata csökkenti az áramütés veszélyét.
- **Ha a gépet feltétlenül nedves helyen kell használni, alkalmazzon életvédelmi relével (RCD) védett tápellátást.** Az RCD használatával csökkenthető az áramütés kockázata.

Személyes biztonság

- **Legyen elővigyázatos, figyeljen arra, amit csinál, és használja a józan belátását a gép működtetése során. Ne használja a gépet, ha fáradt, illetve ha gyógyszer, gyógykezelés vagy alkohol hatása alatt áll.** A gépek működése közben egy pillanatrai figyelemkiesés is súlyos személyi sérülést okozhat.
- **Használjon személyi védőfelszerelést. Mindig viseljen védőszemüveget.** A megfelelő környezetben a védőfelszerelések, például a pormaszk, a csúszásgátló védőcipő, a kemény fejtvédő és a fülvédő használata csökkenti a személyi sérülések kockázatát.
- **Kerülje el a véletlen indítást. Győződjön meg róla, hogy a gép ki van-e kapcsolva, mielőtt csatlakoztatja a készüléket az áramforráshoz és/vagy az akkumulátorhoz, vagy felemeli és egyik helyről a másikra viszi azt.** Balesetet okozhat, ha

a gépet úgy viszi, hogy az ujjá a kapcsolón van, vagy ha a bekapcsolt gépet áram alá helyezi.

- **Távolfíton el minden beállító kulcsot vagy csavarkulcsot, mielőtt bekapcsolná a gépet.** A készülék forgó részeiben hagyott szerszám vagy kulcs sérülésekhez vezethet.
- **Ne nyújtózkodjon a termékkel. Mindig szilárdan álljon a talajon, és őrizz meg az egyensúlyát.** Így váratlan helyzetekben is jobban megőrizheti az elektromos szerszám feletti uralmát.
- **Öltözködjön megfelelően. Ne viseljen ékszereket, rövidnadrágot, szandált, illetve ne legyen mezítláb. Tartsa távol a haját és ruházatát a mozgó alkatrészekről.** A mozgó alkatrészek bekaphatják a laza ruhát, az ékszert vagy a hosszú haját.
- **Ha a készülékhez csatlakoztatható porgyűjtő berendezés, mindig csatlakoztassa és használja azt.** A porgyűjtő alkalmazása csökkenti a porral kapcsolatos veszélyeket.
- **A gépek rendszeres használatából adódó tapasztalata ne vezessen oda, hogy a gépeket könnyelműen, a gépbiztonsági alapelvek figyelmen kívül hagyásával működteti.** Egy gondatlanul kivitelezett művelet akár egy századmásodperc alatt is súlyos sérüléshez vezethet.

A gép használata és karbantartása

- **Ne erőltesse a gépet. Használja a feladathoz megfelelő gépet.** A megfelelő gép jobb és biztonságosabb munkát fog végezni azon a sebességen, amire tervezték.
- **Ne használja a gépet, ha a kapcsoló nem kapcsolja ki vagy be.** A kapcsolóval nem vezérelhető gépek veszélyesek és javításra szorulnak.
- **Húzza ki a dugaszt az áramforrásból és/vagy vegye ki az akkumulátort (amennyiben kivethető), ha bármilyen beállítást végez, kicserél egy tartozékot vagy tárolja a gépeket.** Az ilyen megelőző biztonsági intézkedések csökkentik a gép véletlen elindításának veszélyét.
- **A nem használt gépeket tartsa távol a gyermekektől, és ne engedje, hogy olyan személyek működtessék, akik nem ismerik a gépeket és ezeket az utasításokat.** A gépek képzetlen felhasználók kezében veszélyt jelentenek.
- **Végezze el a gépek és a kiegészítők karbantartását. Ellenőrizze, hogy a mozgó alkatrészek helyükön vannak-e, nem szorulnak-e, nem törtek-e le részek, illetve nem áll-e fenn más olyan állapot, amely befolyásolhatja a gépek működését. Ha sérült, a használat előtt javíttassa meg a gépet.** Sok balesetet rosszul karbantartott gépek okoznak.
- **Tartsa élesen és tisztán a vágószerszámokat.** A megfelelően karbantartott, éles vágógépek kevésbé hajlamosak a beszorulásra, és könnyebb kezelni őket.
- **A gépet, a kiegészítőket és az alkatrészeket stb. ezen utasításokkal összhangban használja, vegye figyelembe a munkakörülményeket és az elvégzendő feladatot.** Ha a gépet nem

a rendeltetésének megfelelően használják, veszélyes helyzet állhat elő.

- **A fogantyúkat és fogófelületeket tartsa szárazon, tisztán, olaj- és zsírinteszen.** A csúszós fogantyúk és fogófelületek miatt váratlan helyzetekben nem lehet biztonságos módon kezelni és vezérelni a gépet.

Az akkumulátoros gép használata és karbantartása

- **Csak a gyártó által meghatározott töltővel töltsé.** Az a töltő, amelyik az egyik típusú akkumulátorhoz használható, tűzveszélyes lehet, ha másik típusú akkumulátorral használják.
- **A gépet csak a típusuknak megfelelő akkumulátorokkal használja.** Bármilyen más típusú akkumulátor használata sérülés- és tűzveszélyes.
- **Amikor az akkumulátort nem használja, tartsa távol más fémtárgyaktól, például gémpapcsoktól, érméktől, kulcsoktól, tűktől, csavaroktól vagy más kisebb fémtárgyaktól, amelyek összekapcsolhatják a sarukat.** Az akkumulátorsaruk rövidre zárása égést vagy tüzet okozhat.
- **Nem megfelelő körülmények hatására az akkumulátorból folyadék szivároghat ki. Kerülje az érintkezést. Ha ez véletlenül mégis megtörténik, öblítse le vízzel. Ha a folyadék szembe kerül, forduljon orvoshoz.** Az akkumulátorból távozó folyadék irritációt vagy égési sérülést okozhat.
- **Ne használjon sérült vagy módosított akkumulátort vagy gépet.** A sérült vagy módosított akkumulátorok kiszámíthatatlanul viselkedhetnek, ami tüzet, robbanást vagy sérülést okozhat.
- **Az akkumulátort vagy a gépet ne tegye ki tűznek vagy túl magas hőmérsékletnek.** A tűznek való kitettség, illetve a 130 °C/265 °F feletti hőmérséklet robbanást okozhat.
- **Kövesse a töltésre vonatkozó utasításokat, és ne töltsé az akkumulátort vagy a gépet az utasításokban megadott hőmérséklet-tartományon kívül.** A nem megfelelő, illetve a megadott tartományon kívül eső hőmérsékleten való töltés károsíthatja az akkumulátort és növeli a tűzveszélyt.

Szerviz

- **Az elektromos szerszámot csak minősített szakemberrel, és eredeti pótalkatrészek felhasználásával javíttassa.** Ez biztosítja, hogy a gép továbbra is biztonságos maradjon.
- **Soha ne szervelje a sérült akkumulátort.** Az akkumulátor szervizelését csak a gyártó vagy egy hivatalos szolgáltató végezheti el.

A szegélyvágóra vonatkozó biztonsági figyelmeztetések

- **Rossz időjárási körülmények között – főleg villámlás veszélye esetén – ne használja a gépet.** Ez csökkenti a villámcsapás veszélyét.

- **Alaposan vizsgálja meg az élővilág szempontjából azt a területet, ahol a gépet használni kívánja.** Az ott élő állatok megsérülhetnek a gép működése közben.
- **Alaposan vizsgálja át a területet, ahol a gépet használni kívánja, és távolítsa el minden követ, botot, drótot, csontot és egyéb idegen tárgyat.** A felcsapódó tárgyak súlyos személyi sérülést okozhatnak.
- **A gép használata előtt mindig ellenőrizze szemrevételezéssel, hogy a vágófeje vagy a penge és a vágószerszéklet vagy a késszerelvény nem sérült-e.** A sérült alkatrészek növelik a sérülésveszélyt.
- **Tartsa be a tartozékok cseréjére vonatkozó utasításokat.** Ha a penge rögzítőanyái vagy csavarjai nincsenek megfelelően meghúzva, károsíthatják a pengét, vagy leválhatnak.
- **Viseljen védőszemüveget, fülvédőt, védősisakot és kézzel védőt.** A megfelelő védőfelszereléssel mérsékelhető a felferődő fű és törmelék, illetve a kés vagy damil véletlen megérintése okozta személyi sérülés.
- **A gép működtetése közben mindig viseljen csúszámentes munkavédelmi lábbelit. Ne használja a gépet meztláb vagy nyitott szandálban.** Ez csökkenti a mozgó vágófejjel vagy damillal való érintkezés miatti lábsérülés kockázatát.
- **A gép használata közben mindig viseljen hosszú nadrágot.** A szabadon hagyott bőrfelületek növelik a repülő tárgyak okozta sérülés valószínűségét.
- **A gép működtetése közben tartsa távol a járókőket.** A kirepülő hulladék súlyos személyi sérülést okozhat.
- **A gépet mindig két kézzel használja.** Az irányítás elvesztését megelőzendő, a gépet mindig két kézzel tartsa.
- **A gépet kizárólag a szigetelt fogófelületnél tartsa, mert a damil vagy a penge belevághat a rejtett kábelekbé.** Ha a damil vagy a penge feszültség alatt álló vezetékkel érintkezik, a gép fémrészei is feszültség alá kerülnek, és így a berendezés működtetőjét áramütés érheti.
- **Mindig ügyeljen a megfelelő lábtartásra, és csak akkor működtesse a gépet, ha szilárd talajon áll.** Síkos vagy instabil felületen elvesztheti egyensúlyát vagy uralmát a gép felett.
- **Ne üzemeltesse a gépet túlságosan meredek lejtőkön.** Ez csökkenti az esetleges személyi sérüléshez vezető irányításvésztes, elcsúszás vagy elesés kockázatát.
- **Ha lejtőn dolgozik, mindig ügyeljen arra, hogy stabilan áll, mindig a lejtőn keresztben dolgozzon, soha ne felfelé vagy lefelé, és irányváltáskor legyen rendkívül óvatos.** Ez csökkenti az esetleges személyi sérüléshez vezető irányításvésztes, elcsúszás vagy elesés kockázatát.
- **A gép működése közben tartsa távol minden testrészét a vágófejtől, damiltól vagy a pengétől.** A gép beindítása előtt győződjön meg arról, hogy a vágófeje, damil vagy penge nem érintkezik semmivel. A gép működése közben egy

pillanatnyi figyelemkiesés is súlyos sérülést okozhat a kezelőnek vagy másoknak.

- **Ne működtesse a gépet derékmagasság felett.** Így megakadályozhatja, hogy a vágófeje vagy penge véletlenül hozzáérjen valamihez, és váratlan helyzetben megőrizheti uralmát a gép felett.
- **Feszültség alatt álló cseréjek vagy facsemeték vágásakor számoljon a visszacsapódás lehetőségével.** A farostok feszültségének megszűnésekor a cserje vagy a facsemete a kezelőnek csapódhat, illetve úgy mozdulhat, hogy a kezelő elveszíti uralmát a gép felett.
- **Bokrok és fiatal fák vágása különös körültekintést igényel.** A vékony anyag beleakadhat a pengébe, és a kezelő felé csapódhat, vagy kimozdíthatja a kezelőt az egyensúlyából.
- **Tartsa meg a gép feletti uralmát, és ne érjen hozzá a vágófejhez, damilhoz vagy pengéhez és más veszélyes mozgó alkatrészekhez, amíg azok mozgásban vannak.** Ez csökkenti a mozgó alkatrészek okozta sérülések kockázatát.
- **A gépet kikapcsolt állapotban, a testétől távol tartva hordozza.** A gép megfelelő kezelése csökkenti annak valószínűségét, hogy véletlenül érintkezzen a mozgó vágófejvel, damillal vagy pengével.
- **Csak a gyártó által meghatározott csere vágófejet, damilt és kést használjon.** A nem megfelelő cserealkatrészek növelhetik a törés és sérülés kockázatát.
- **A beragadt anyagok eltávolításakor és a gép szervizelésekor győződjön meg arról, hogy minden kapcsoló ki van-e kapcsolva, és az akkumulátor el van-e távolítva.** A gép váratlan, a beakadt anyagok eltávolítása vagy a szervizelés során történő bekapcsolódása súlyos személyi sérüléshez vezethet.

Indítás előtti ellenőrzés

- Mindig vegye ki az akkumulátort annak biztosítására, hogy a termék ne indulhasson be véletlenül. Karbantartás előtt mindig vegye ki az akkumulátort a termékből.
- A termék használata előtt, illetve ütközés után ellenőrizze, hogy nem láthatók-e a terméken kopás vagy sérülés nyomai, és szükség esetén gondoskodjon a javításról.
- Ellenőrizze a munkaterületet. Távolítsa el minden mozdítható tárgyat, pl. köveket, üvegcserepeket, szögeket, fémdrótokat, zsinegeket, stb., amelyeket a vágófeje vagy a vágófelszerelés felkaphat, vagy amelyek esetleg a felszerelésre csavarodhatnak.
- Ellenőrizze, nem piszkos-e a motor, és nincs-e rajta repedés. Kéfével tisztítsa meg a motort a fűtől és levelektől. Ha szükséges, viseljen kesztyűt.
- Ellenőrizze, teljesen fel van-e helyezve a damilfej a fűszegelynyíróra.
- Ellenőrizze, hogy a termék teljes mértékben működőképes állapotban van-e. Ellenőrizze, hogy az anyák és csavarok szorosan meg vannak-e húzva.

- Ellenőrizze, hogy a damilfej és a vágófelszerelés védőburkolata sértetlen és nem repedt-e. Cserélje ki a damilfejet és a vágófelszerelés védőburkolatát, ha útés érte őket vagy megrepedtek. Mindig a vágófelszereléshez javasolt pengevédőt használja. Lásd a Műszaki adatok című fejezetet.
- A termék kezelője ügyeljen arra, hogy a munka során se ember, se állat ne jöjjön 15 m-nél közelebb. Ha ugyanazon a munkaterületen többen is dolgoznak, a biztonsági távolságnak legalább 15 méternek kell lennie.
- Használat előtt végezzen általános ellenőrzést a terméken. Lásd a karbantartási ütemezést.
- A használatot nemzeti vagy helyi előírások szabályozhatják. Tartsa be a vonatkozó előírásokat.

Mindig próbálgon előrelátóan gondolkodni.

Lehetetlen az összes elképzelhető helyzetet ismertetni. Mindig megfontoltan és előrelátóan tevékenykedjen. Kerülje az olyan helyzeteket, amelyek saját megítélése szerint meghaladják a képességeit. Ha a jelen kézikönyv elolvasása után is bizonytalannak érzi magát az üzemeltetési eljárásokkal kapcsolatban, a folytatás előtt kérje ki egy szakértő véleményét.



FIGYELMEZTETÉS:

Soha ne engedje, hogy gyermekek használják a gépet, vagy a gép közelében tartózkodjanak. Mivel a gép könnyen indul, szigorú felügyelet nélkül a gyermekek könnyen beindíthatják. Ez súlyos személyi sérüléshez vezethet. Ezért mindig válassza le az akkumulátort, ha nem tud folyamatosan felügyelni a gépre.

Általános biztonsági utasítások



FIGYELMEZTETÉS: A termék használata előtt olvassa el az alábbi figyelmeztetéseket.

- Vegye ki az akkumulátort annak biztosítására, hogy a termék ne indulhasson be véletlenül.
- Ez a termék veszélyes szerszám, ha nem körültekintően járnak el a használata során, vagy nem megfelelőképpen használják. A gép a kezelő és mások súlyos sérülését és halálát is okozhatja.
- Ne használja a terméket, ha megváltozott az eredeti specifikációja. Ne cseréljen a terméken alkatrészt a gyártó jóváhagyása nélkül. Csak a gyártó által jóváhagyott alkatrészeket használjon. A nem megfelelő karbantartás súlyos, akár végzetes sérüléssel is járhat.
- Használat előtt ellenőrizze a terméket. Lásd: *Biztonsági eszközök a terméken 200. oldalon és A termék áttekintése 195. oldalon.* Ne használja a sérült vagy nem megfelelően működő terméket. Végezze el a jelen használati utasításban előírt ellenőrzési, karbantartási és szervizmunkálatokat.

- Biztosítsa, hogy gyermekek ne játsszanak a termékkel. Soha ne engedje, hogy gyermek vagy a termék használatában nem jártas személy használja vagy szervizelje a terméket, illetve az akkumulátort. A helyi törvények szabályozhatják a kezelő korát.
- Tartsa a terméket zárható helyen, ahol gyermek vagy jogosulatlan személy nem férhet hozzá.
- A termék gyermekektől elzárva tartandó.
- A termék eredeti kivitelezésén a gyártó cég engedélye nélkül semmilyen módosítást sem szabad végezni. Mindig eredeti tartozékokat használjon. A nem engedélyezett módosítások és/vagy pótalkatrészek komoly sérülésekhez, illetve akár a kezelő vagy más személyek halálához is vezethetnek.
- A teljes rezgés deklarált értékének mérése szabványos vizsgálati módszerrel történt, és az érték felhasználható a szerszámok összehasonlítására.
- A teljes rezgés deklarált értéke a kitettség előzetes becsléséhez is használható.
- A szerszámgép használata során kibocsátott rezgés mértéke a használat módjától függően eltérhet a deklarált teljes értéktől. A kezelőknek meg kell határozniuk a biztonsági intézkedéseket önmaguk védelme érdekében az adott használati körülmények közötti becsült kitettség alapján (figyelembe véve az üzemelési ciklus minden részét, tehát azt is, amikor a szerszám ki van kapcsolva, illetve amikor üresjáratban működik).

- Ha szükséges, viseljen kesztyűt – például a vágóeszközök felhelyezésekor, ellenőrzésekor vagy tisztításakor.

(ábra 21)

- Használjon acéllemezes lábujjvédővel és csúszgátló talppal ellátott védőbakancsot.

(ábra 22)

- Viseljen sűrű szövésű anyagból készült ruházatot. Vastag, hosszú nadrágot és hosszú ujjú felsőrészt viseljen. Ne viseljen bő ruházatot, mert az beakadhat a gallyakba és a bokrok ágaiba. Ne viseljen ékszerket, rövidnadrágot vagy szandált. Ne legyen mezítláb. Igazítsa haját vállmagasság fölé.
- Tartsa kéznél az elsősegélykészletet.

(ábra 23)

Biztonsági eszközök a terméken



FIGYELMEZTETÉS: A termék használata előtt olvassa el az alábbi figyelmeztetéseket.

Ez a fejezet a termék biztonsági funkcióit és rendeltetését, valamint a megfelelő üzemelést biztosító ellenőrzések és karbantartási műveletek elvégzésének módját ismerteti. Tekintse át a fejelec alatt szereplő utasításokat, *Bevezető 195. oldal*on hogy megtudja, hol található ez az alkatrész a terméken.

A termék élettartama lecsökkenhet, a balesetveszély pedig megnövekedhet, ha a termék karbantartását nem megfelelően hajtják végre, illetve ha a szervizt és/vagy a javításokat nem szakszerűen végzik. Ha további információra van szüksége, vegye fel a kapcsolatot a legközelebbi szervizszolgáltatóval.

Megjegyzés: A használatot országos vagy helyi törvények szabályozhatják. Tartsa be a vonatkozó előírásokat.

Személyi védőfelszerelés



FIGYELMEZTETÉS: A termék használata előtt olvassa el az alábbi figyelmeztetéseket.

- A termék használata során viseljen jóváhagyott személyi védőfelszerelést. A személyi védőfelszerelés nem küszöböli ki teljes mértékben a sérülés kockázatát, de csökkenti a sérülés mértékét, ha bekövetkezik a baleset. A megfelelő felszerelés kiválasztásában kérje a kereskedő segítségét.
- Használjon jóváhagyott fülvédőt.

(ábra 19)

- Használjon jóváhagyott védőszemüveget. Ha arcvédőt használ, jóváhagyott védőszemüveget is kell viselnie. Jóváhagyott védőszemüvegek azok, amelyek megfelelnek az ANSI Z87.1 (USA), illetve EN 166 (EU-országok) szabványoknak.

(ábra 20)



FIGYELMEZTETÉS: Soha ne használja a terméket sérült biztonsági felszerelésekkel. A termék biztonsági felszerelésének ellenőrzését és a karbantartási munkákat a jelen fejezetben leírtak szerint kell elvégezni. Ha az Ön terméke nem felel meg az alábbi vizsgálatok valamelyikénél, forduljon szervizműhelyéhez.



VIGYÁZAT: A gép szervizeléséhez és javításához speciális szakmai kiképzésre van szükség. Ez különösen érvényes a gép biztonsági felszereléseire. Ha az Ön gépe nem felel meg az alábbi vizsgálatok valamelyikénél, akkor forduljon szervizműhelyéhez. Bármely termékünk megvásárlásakor garantáljuk a szakképzett javítást és szervizelést. Ha a gépet nem szervizműhellyel rendelkező szakkereskedőtől vásárolta, akkor kérje el tőle a legközelebbi szervizműhely címét.

A billentyűzet ellenőrzése

1. Nyomja le és tartsa lenyomva az indító-/leállítógombot (A). (ábra 24)
 - a) Ha a LED (B) világít, a termék be van kapcsolva.
 - b) Ha a LED (B) nem világít, a termék ki van kapcsolva.
2. Ha a figyelmeztetésjelző (C) világít vagy villog, lásd: *Billentyűzet207. oldalon.*

A kapcsológomb reteszeinek ellenőrzése

A kapcsológomb retesze megakadályozza a véletlen beindítást. A kapcsológomb reteszeinek (A) megnyomásakor a kapcsológomb (B) kioldódik. Amikor elengedi a fogantyút, a kapcsológomb és annak retesze visszaáll az eredeti helyzetébe. (ábra 25)

1. Ellenőrizze, hogy reteszt-e a kapcsológomb, amikor a retesze az eredeti helyzetében van. (ábra 26)
2. Nyomja le a kapcsológombot, és győződjön meg arról, hogy az elengedése után visszatér-e az eredeti helyzetébe. (ábra 27)
3. Győződjön meg arról, hogy a kapcsológomb és a kapcsológomb retesze akadálymentesen mozog-e, valamint hogy a visszatérítő rugó megfelelően működik-e. (ábra 28)
4. Indítsa be a terméket. Lásd: *A termék elindítása204. oldalon.*
5. Adjon teljes gázt.
6. Engedje el a bekapcsológombot, és győződjön meg róla, hogy a vágófelszerelés leállt-e.

A vágófelszerelés védőburkolatának ellenőrzése



FIGYELMEZTETÉS: Ne használja a vágófelszerelést jóváhagyott és megfelelően felhelyezett védőburkolat nélkül. Mindig az éppen használt vágófelszereléshez ajánlott védőburkolatot használja, lásd: *Műszaki adatok208. oldalon.* A nem megfelelő vagy meghibásodott védőburkolat használata komoly személyi sérülést idézhet elő.

A vágófelszerelés védőburkolata megállítja a kezelő irányába repülő tárgyakat. A vágófelszerelés védőburkolata emellett megvéd a sérülésektől a vágófelszerelés megérintése esetén is.

1. Állítsa le a motort.
2. Keressen sérüléseket, például repedéseket.
3. Ha a vágófelszerelés védőburkolata sérült, cserélje ki.

Vágófelszerelés

Ügyeljen a megfelelő vágószerszemet kiválasztására, és végezze el a vágószerszemet karbantartását a következők érdekében:

- A vágási teljesítmény maximalizálása.
- A vágószerszemet élettartamának növelése.



FIGYELMEZTETÉS:

A vágófelszerelést kizárólag az általunk ajánlott védelemmel használja. Lásd: *Eredeti tartozékok210. oldalon.* A helyes damiladagolás és a műanyag kések használata kapcsán lásd a vágófelszerelésre vonatkozó utasításokat.



FIGYELMEZTETÉS: A sérült vágófelszerelés használata növelheti a balesetveszélyt.



FIGYELMEZTETÉS:

Mielőtt bármilyen munkát végezne a vágófelszerelésen, szüntesse meg az energiaellátást. A vágófelszerelés a kapcsológomb elengedése után is tovább forog. Győződjön meg róla, hogy a vágófelszerelés teljesen leállt-e, távolítsa el az akkumulátort, és csak ezután kezdjen dolgozni a terméken.

Vágófelszerelés



FIGYELMEZTETÉS: Az egészségre ártalmas rezgések elkerülése érdekében ügyeljen arra, hogy a zsinór legyen mindig szorosan és egyenesen a dobra tekerve.

(ábra 29)

- Csak a javasolt vágófelszereléseket használja.
- A damil hossza ugyancsak lényeges. A hosszabb damil nagyobb teljesítményű motort igényel, mint az ugyanolyan keresztmetszetű rövidebb damil.
- A vágófelszerelés védőburkolatán lévő késnek épek kell lennie. A kés a damil megfelelő méretűre történő vágására szolgál.
- A damil használat előtt áztassa vízbe néhány napra az élettartamának növelése érdekében.

Az akkumulátorral kapcsolatos biztonsági előírások



FIGYELMEZTETÉS: A termék használata előtt olvassa el az alábbi figyelmeztetéseket.

- Csak a(z) BLi sorozatú és 40-B sorozatú akkumulátort használja. A részleteket lásd *Műszaki adatok208. oldalon*. Az akkumulátor szoftveresen kódolva van.
- A tölthető BLi sorozatú és 40-B sorozatú akkumulátorokat kizárólag a megfelelő Husqvarna termékek tápellátására használja. Ne használja az akkumulátort más eszközök áramforrásaként, mivel ez balesetveszélyes.
- Elektromos áramütés veszélye. Ne érintse az akkumulátorsarukat kulcsokhoz, érmékhez, csavarokhoz vagy egyéb fémhez. Ez az akkumulátor rövidzárlatát okozhatja.
- Ne használjon nem újratölthető akkumulátorokat.
- Ne tegyen tárgyakat az akkumulátor szállóöngyülésaiba.
- Tartsa távol az akkumulátort a közvetlen napsütéstől, hőtől és nyílt lángtól. Az akkumulátor súlyos égési, illetve vegyi égési sérüléseket okozhat.
- Tartsa az akkumulátort esős, nedves környezetétől távol.
- Tartsa az akkumulátort mikrohullámoktól és magas nyomástól távol.
- Soha ne próbálkozzon az akkumulátor szétszerelésével vagy széttröszölésével.
- Ha az akkumulátor szivárog, ne hagyja, hogy a folyadék bőre vagy szembe kerüljön. Ha hozzáért a folyadékhoz, nagy mennyiségű szappanos vízzel tisztítsa meg az adott testfelületet, és forduljon orvoshoz. Ha a folyadék a szemébe került, ne dörzsölje, hanem legalább 15 percig alaposan öblítse át a szemét vízzel, és forduljon orvoshoz.
- Az akkumulátort -10 °C (14 °F) és 40 °C (114 °F) közötti hőmérsékleten használja.
- Soha ne tisztítsa vízzel az akkumulátort vagy az akkumulátortöltőt. Lásd: *A termék, az akkumulátor és az akkumulátortöltő tisztítása206. oldalon*.
- Ne használjon meghibásodott vagy sérült akkumulátort.
- A tárolás során tartsa az akkumulátorokat távol a fém tárgytól, például szegektől, csavaroktól és ékszerektől.
- Az akkumulátor gyermekektől elzárva tartandó.
- Ne próbálkozzon az akkumulátortöltő szétszerelésével.
- Ne használjon meghibásodott vagy sérült akkumulátortöltőt.
- Ne emelje fel az akkumulátortöltőt a tápkábelnél fogva. Az akkumulátortöltő fali aljzatból történő kihúzásához a dugaszt húzza. Ne a tápkábelt húzza.
- Minden kábelt és hosszabbítókábelt óvjon a víztől, az olajtól és az éles peremektől. Ügyeljen rá, hogy a kábel ne akadjon be ajtóba, korlátba vagy ezekhez hasonló tárgyakra.
- Ne használja az akkumulátortöltőt gyúlékony anyagok vagy olyan anyagok közelében, amelyek korróziót okozhatnak. Győződjön meg róla, hogy az akkumulátortöltőt nem fedi semmi. Amennyiben a töltő füstölni vagy égni kezdene, húzza ki a dugóját.
- Az akkumulátort csak jó szellőzésű helyiségben, napfénytől távol töltsen. Ne töltsen az akkumulátort kültéren. Ne töltsen az akkumulátort nedves körülmények között.
- Az akkumulátortöltőt csak 5 °C (41 °F) és 40 °C (104 °F) közötti hőmérséklet esetén használja. A töltőkészüléket jól szellőző, száraz és pormentes környezetben használja.
- Ne tegyen tárgyakat az akkumulátortöltő hűtőnyílásaiba.
- Ne érintsen az akkumulátortöltő csatlakozóihoz fémtárgyakat, mivel ezek rövidzárlatot okozhatnak a töltőkészüléken.
- Jóváhagyott, sértetlen hálózati aljzatot használjon. Ellenőrizze, hogy az akkumulátortöltő kábele nem sérült-e. Hosszabbítókábelek használata esetén győződjön meg arról, hogy a hosszabbítókábelek nem sérültek-e.
- Ne töltsön nem újratölthető akkumulátorokat a töltővel.

Biztonsági utasítások a karbantartáshoz



FIGYELMEZTETÉS: A terméken végzett karbantartási műveletek előtt olvassa el az alábbi figyelmeztetéseket.

- Karbantartás, egyéb ellenőrzések vagy a termék összeszerelése előtt távolítsa el az akkumulátort.
- A kezelő kizárólag a jelen használati utasításban szereplő karbantartási és szervizmunkákat végezheti el. A szélesebb körű karbantartási és szervizmunkákkal kapcsolatban forduljon a szakszervizhez.
- Soha ne tisztítsa vízzel az akkumulátort vagy az akkumulátortöltőt. Az erős tisztítószerek kárt tehetnek a műanyagban.
- A karbantartási műveletek elmulasztása csökkenti a termék élettartamát, illetve növeli a balesetveszélyt.

Az akkumulátortöltő készülék biztonsága



FIGYELMEZTETÉS: A termék használata előtt olvassa el az alábbi figyelmeztetéseket.

- Áramütés vagy rövidzárlat veszélye, ha a biztonsági utasításokat nem tartják be.
- Ne használjon mást a termékhez mellékelt akkumulátortöltőn kívül. Kizárólag QC80 és 40-C80 töltőket használjon BLi sorozatú és 40-B sorozatú csereakkumulátorok töltéséhez.

- A gépen végzett minden szerviz- és javítási munkát szakképzettséget igényel, különös tekintettel a biztonsági eszközökre. Amennyiben a karbantartást követően nem minden, a használati utasításban leírt ellenőrzési művelet

jóváhagyott, forduljon a szakszervizhez. Garantáljuk a termékéhez megfelelő, professzionális javítást és szervizelést.

- Kizárólag eredeti pótalkatrészeket használjon.

Összeszerelés

Bevezető



FIGYELMEZTETÉS: Figyelmesen olvassa el a biztonságról szóló fejezetet, mielőtt összeállítaná a terméket.

A vágófelszerelés védőburkolatának felszerelése

1. Helyezze a vágófelszerelés védőburkolatát a motorházra. (ábra 30)
2. Ellenőrizze a reteszelő kampókat. (ábra 31)
3. Húzza meg a csavart. Használjon kombinált csavarkulcsot. (ábra 32)
4. Húzza meg a csavart.

A vágófelszerelés cseréje

1. Helyezze be a kombinált kulcsot a nyílásba a tengely rögzítéséhez. (ábra 33)
2. Forgassa a vágófelszerelést, és óvatosan nyomja le a kombinált kulcsot, amíg a tengely bele nem akad.
3. Az eltávolításához forgassa el a vágófelszerelést az óramutató járásával megegyező irányban. A vágófelszerelés felerősítése előtt ellenőrizze, hogy a hajtótárcsa a helyén van-e. (ábra 34)
4. Szerelje fel az új vágófelszerelést a lépéseket ellenkező sorrendben végrehajtva. (ábra 35) (ábra 36)

Megjegyzés: A vágófelszerelés felszerelése előtt győződjön meg arról, hogy a hajtótárcsa megfelelően a helyén van-e.

A növényvédő felszerelése

1. Szerelje fel a növényvédőt a motorház furataiba. (ábra 37)
2. Ellenőrizze, hogy a növényvédő szabadon tud-e előre és hátrafelé mozogni. (ábra 38)

A hurokfogantyú összeszerelése

1. Csavarja be a csavart a hurokfogantyúba. (ábra 39)
2. Szerelje fel a hurokfogantyút a nyélen található tartozékra.
3. Húzza meg a csavarokat.
4. Mozgassa a hurokfogantyút a megfelelő helyzetbe. Lásd: *A hurokfogantyú és a teleszkópos nyél beállítása* 205. oldalon.

Az akkumulátortöltő (40-C80) falra történő rögzítése



VIGYÁZAT: Az akkumulátortöltő falra történő felszereléséhez ne használjon elektromos csavarhúzókat. Az elektromos csavarhúzó kárt tehet az akkumulátortöltőben.

1. Szerelje fel az akkumulátortöltőt a falra a 2 csavarral (A). Szükség esetén használjon tipliket (B). (ábra 40)
2. Helyezze be a 2 csavarfurat-sapkát (C).
3. Csatlakoztassa a tápkábel (D) egy akkumulátortöltőhöz és egy fali aljzathoz.

Üzemeltetés

Bevezető



FIGYELMEZTETÉS: A termék használata előtt figyelmesen olvassa el a biztonságról szóló fejezetet.

A termék működtetése előtt

- Ellenőrizze a munkaterületet – mérje fel a terep jellegét. Ellenőrizze a talaj lejtését, valamint keressen esetleges akadályokat, például köveket, ágakat és gödröket.

- Végezzen átfogó ellenőrzést a terméken.
- Végezze el a használati utasításban közölt biztonsági ellenőrzéseket, valamint karbantartási és szervizelési feladatokat.
- Ellenőrizze, nem piszkos-e a motor, és nincs-e rajta repedés. Tisztítsa meg a motort a fűtől és a levelektől egy kefe segítségével. Szükség esetén viseljen kesztyűt.
- Keressen sérülést, repedést a szegélyvágó fejen és a vágófelszerelés védőburkolatán. Ha a damilfej vagy a vágófelszerelés védőburkolata sérült vagy repedt, cserélje ki.

- Ellenőrizze, hogy az anyák és csavarok szorosan meg vannak-e húzva.
- A termék elindítása előtt győződjön meg arról, hogy minden fedőelem, burkolat, fogantyú és vágószerszám megfelelően rögzítve van-e és sérülésmentes-e.

Akkumulátor



FIGYELMEZTETÉS: Az akkumulátor használata előtt figyelmesen olvassa el a biztonságról szóló fejezetet. Olvassa el figyelmesen az akkumulátorhoz és az akkumulátortöltőhöz mellékelt használati útmutatót is.

Tartsa az akkumulátort és az akkumulátortöltőt megfelelő környezeti hőmérsékleten.

	Környezeti hőmérséklet
A termék működtetése	-5 °C–40 °C
Az akkumulátor feltöltése	5 °C–40 °C

Az akkumulátor állapota

A kijelző jelzi az akkumulátor töltöttségét, valamint azt, hogy van-e valami probléma az akkumulátorral.

(ábra 41)

LED jelzőlámpa	Az akkumulátor állapota (töltöttségi állapot)	
	BLi10, BLi20	40-B70, 40-B140
4 LED világít	n.a.	Az akkumulátor töltöttsége 76–100%-os.
3 LED világít	Az akkumulátor töltöttsége 76–100%-os.	Az akkumulátor töltöttsége 51–75%-os.
2 LED világít	Az akkumulátor töltöttsége 51–75%-os.	Az akkumulátor töltöttsége 26–50%-os.
1 LED világít	Az akkumulátor töltöttsége 26–50%-os.	Az akkumulátor töltöttsége 6–25%-os.
1 LED villog	Az akkumulátor töltöttsége 0–25%-os.	Az akkumulátor töltöttsége 0–5%-os.

Az akkumulátor töltése

Az első használat előtt tölts fel az akkumulátort. Az új akkumulátorok csak 30%-ra vannak feltöltve.



VIGYÁZAT: Az akkumulátortöltőt az adattáblán szereplő feszültségű és frekvenciájú tápaljzathoz csatlakoztassa.

50 °C/122 °F feletti hőmérséklet esetén az akkumulátor nem töltődik fel.

1. Csatlakoztassa a tápkábelét az akkumulátortöltőhöz.
2. Csatlakoztassa az akkumulátortöltőt földelt hálózati aljzathoz. A töltést jelző LED egyszer felvillan. (ábra 42)
3. Csatlakoztassa az akkumulátort a töltőkészülethez. A töltést jelző LED világítani kezd. Az akkumulátort legfeljebb 24 óráig tölts. (ábra 43)
4. Nyomja meg az akkumulátorjelző gombot. Ha az összes LED jelzőlámpa világít, az akkumulátor teljesen fel van töltve.
5. Húzza ki a tápkábelét, és csatlakoztassa le az akkumulátortöltőt a tápcsatlakozóról. Ne a tápkábelét húzza.

6. Vegye ki az akkumulátort a töltőből.

Az akkumulátor csatlakoztatása a termékhez



FIGYELMEZTETÉS: Kizárólag eredeti Husqvarna akkumulátort használjon a termékben.

1. Tölts fel teljesen az akkumulátort.
2. Nyomja az akkumulátort a terméken található akkumulátortartóba. Az akkumulátor egy kattánás kíséretében a helyére kattán. (ábra 44)



VIGYÁZAT: Ha az akkumulátor nem megy bele könnyen az akkumulátortartóba, akkor az akkumulátor nem megfelelően van behelyezve. Ezzel kárt tehet a termékben.

A termék elindítása

1. Tartsa nyomva az indító-/leállítógombot, amíg a zöld LED világítani nem kezd. (ábra 45)

2. Nyomja meg a kapcsológomb retesztét és a kapcsológombot. A vágószerkezet forogni kezd.

A hurokfogantyú és a teleszkópos nyél beállítása

1. Lazítsa meg a rögzítőfogantyút, majd állítsa a hurokfogantyút a megfelelő helyzetbe. (ábra 46)
2. Zárja le a rögzítőfogantyút.
3. Lazítsa meg a nyélen lévő kart. (ábra 47)
4. Állítsa be a megfelelő hosszt a nyélen. Győződjön meg arról, hogy látja a háromszöget a tengelyen. (ábra 48)
5. Zárja le a kart, és húzza meg a csavarokat.

Megjegyzés: Ne rögzítse a hurokfogantyút a tengelyen lévő figyelmeztető matricákra.

A SavE funkció használata

A termék energiatakarékosági funkcióval, az úgynevezett SavE funkcióval van ellátva.

Megjegyzés: A SavE funkció nem csökkenti a termék vágási teljesítményét.

1. Nyomja meg a billentyűzetten található SavE gombot.
2. Ellenőrizze, hogy bekapcsol-e a zöld színű LED.
3. A funkció leállításához nyomja meg ismét a SavE gombot. A zöld LED kialszik. (ábra 49)

Automatikus leállítás funkció

A termék automatikus leállítás funkciója leállítja a terméket, amikor az nincs használatban. Az indítást/leállítást jelző zöld LED világitani kezd, és a termék 180 másodperc után leáll.

A termék működtetése

Fűnyírás

1. A műanyag kések illetve a damil a fű kaszálásakor legyen párhuzamos a talajjal. (ábra 50)
2. Ne nyomja le a talajra a Tri-Cut egységet vagy a damilfejet. Ezzel kárt tehet a termékben.

Megjegyzés: A 0 °C-hoz közeli alacsony környezeti hőmérséklet a kés vagy a vágódamil törését okozhatja.

3. A fűnyírásat kaszáló mozdulatokkal végezze. (ábra 51)

Megjegyzés: Ne használja a terméket sérült vágófelszereléssel. A sérült vágófelszerelés kiegyensúlyozatlanságot okozhat, ami károsíthatja a terméket.

A fű seprése

A forgó műanyag kések vagy damil által keltett légárammal eltávolíthatja a levágott fűvet a munkaterületről.

1. Tartsa a damilfejet, a műanyag késeket és a damilt a talaj felett, azzal párhuzamosan.
2. Adjon teljes gázt.
3. A vágófelszerelést balra-jobbra mozgatva, pásztázó mozgással nyírja a fűvet.



FIGYELMEZTETÉS: Minden alkalommal tisztítsa meg a vágófelszerelés borítását, amikor új műanyag kést vagy damilt helyez fel az egyensúly biztosítása és a markolat rezgésének elkerülése érdekében. Ellenőrizze és szükség esetén tisztítsa meg a vágófelszerelés egyéb elemeit is.

Objektumok közelében történő munkavégzés

1. Húzza le a növényvédőt. (ábra 52)
2. Használja a növényvédőt, a különféle objektumok sérülésének megelőzése érdekében. (ábra 53)

A termék leállítása

1. Engedje el a kapcsológombot és a kapcsológomb retesztét.
2. Nyomja le az indító-/leállító gombot, amíg a zöld LED ki nem alszik.
3. Nyomja le az akkumulátor kioldógombjait, és távolítsa el az akkumulátort a készülékből. (ábra 54)

A műanyag kések és a vágódamil cseréje

Tekintse meg a használati utasítás utolsó oldalait.

Karbantartás

Bevezető



FIGYELMEZTETÉS: A termék karbantartása előtt olvassa el és értelmezze a biztonsággal foglalkozó fejezetet.

Karbantartási terv



FIGYELMEZTETÉS: Karbantartási munkák előtt távolítsa el az akkumulátort.

Alább következik egy lista a termék karbantartásával kapcsolatos lépésekről. A további tudnivalókat illetően lásd: *A termék áttekintése* 195. oldalon.

Karbantartás	Naponta	Hetente	Havi
Tisztítsa meg a gép külső részeit egy száraz törülközővel. Ne használjon vizet.	X		
Ellenőrizze, hogy az indító-/leállító gomb megfelelően működik-e, illetve nem sérült-e.	X		
Ellenőrizze, hogy biztonsági szempontból megfelelő-e a kapcsológomb és a kapcsológomb reteszének működése.	X		
Bizonyosodjon meg arról, hogy a fogantyúk szárazak és tiszták.	X		
Ellenőrizze, hogy a vágófelszerelés védőburkolata sértetlen-e. Ha a vágófelszerelés védőburkolata sérült, cserélje ki.	X		
Ellenőrizze, hogy a fogantyú vagy a markolat nem sérült-e, illetve megfelelően van-e rögzítve.	X		
Ellenőrizze a teleszkópos nyél reteszelő mechanizmusát. Lásd: <i>A teleszkópos nyél reteszelő mechanizmusának az ellenőrzése</i> 207. oldalon.	X		
Ellenőrizze, hogy jól működik-e az akkumulátortöltő, és nem sérült-e.	X		
Ellenőrizze, hogy az akkumulátor sértetlen-e.	X		
Ellenőrizze, hogy az akkumulátor fel van töltve.	X		
Ellenőrizze, hogy az akkumulátortöltő sértetlen-e.	X		
Ellenőrizze, hogy a külső csavarok és anyák szorosan rögzülnek-e.		X	
Ellenőrizze, hogy az akkumulátor kioldógombjai megfelelően működnek-e, és rögzítik-e az akkumulátort a termékben.		X	
Ellenőrizze, hogy van-e kenőzsír a damilfej orsójában.		X	
Tisztítsa meg, és ellenőrizze az akkumulátor és a termék közötti csatlakozásokat.			X
Végezze el az akkumulátor és az akkumulátortöltő közötti csatlakozás tisztítását és ellenőrzését.			X

Az akkumulátor és az akkumulátortöltő ellenőrzése

- Ellenőrizze, hogy az akkumulátoron nem található-e sérülések, például repedések.
- Ellenőrizze, hogy az akkumulátortöltőn nem található-e sérülések, például repedések.
- Ellenőrizze, hogy az akkumulátortöltő csatlakozókábele nem sérült-e, és hogy nincs-e rajta repedés.

A termék, az akkumulátor és az akkumulátortöltő tisztítása

- Használat után tisztítsa meg a terméket egy száraz ruhával.

- Tisztítsa meg az akkumulátort és az akkumulátortöltőt egy száraz ruhával. Tartsa tisztán az akkumulátorvezető síneket.
- Mielőtt a töltőkészülékbe vagy a termékbe helyezné az akkumulátort, gondoskodjon az akkumulátor és a töltő érintkezőinek tisztaságáról.

A Tri-Cut ellenőrzése és cseréje

- Ellenőrizze a Tri-Cut egységet, hogy nem található-e rajta sérülés vagy repedés.
- Távolítsa el a Tri-Cut egységet. Lásd „A Tri-Cut eltávolítása” című részt a használati utasítás utolsó oldalán.
- Szerelje össze a Tri-Cut egységet. Lásd: *A vágófelszerelés cseréje* 203. oldalon.

A teleszkópos nyél reteszelő mechanizmusának az ellenőrzése

2. Állítsa be a szorítóerőt. (ábra 55)

1. Ellenőrizze a teleszkópos nyél reteszelő mechanizmusát.

Hibaelhárítás

Billentyűzet

LED-kijelző	Lehetséges hibák	Lehetséges megoldások
Villog a hibajelző LED.	Túterhelés	A vágófelszerelés nem tud szabadon mozogni. Oldja ki a vágófelszerelést.
	Hőmérsékleti ingadozás	Várja meg, míg a termék lehül.
A termék nem indul.	Nyomja meg egyszerre a kapcsológombot és az indítógombot.	Engedje el a kapcsológombot, és állítsa le a készüléket.
A hibajelző LED piros fénnel kezd világítani.	A terméket szervizelni kell.	Forduljon az illetékes szakszervizhez.

Akkumulátor

LED-es kijelző	Lehetséges hibák	Lehetséges megoldás
A zöld LED villog.	Alacsony akkumulátorfeszültség.	Töltse fel az akkumulátort.
Villog a hibajelző LED.	Hőmérséklet-ingadozás.	Az akkumulátort -10°C (14°F) és 40°C (104°F) közötti hőmérsékleten használja.
	Túl magas feszültség.	Ügyeljen, hogy a hálózati feszültség megfelezzon a termék adattábláján szereplő feszültség értékével. Vegye ki az akkumulátort a töltőből.
A hibajelző LED világít.	Túl nagy a cellák közötti különbség (1 V).	Forduljon az illetékes szakszervizhez.

Akkumulátortöltő

Probléma	Lehetséges hibák	Lehetséges megoldás
A töltést jelző LED piros.	Maradandó akkumulátortöltő-hiba.	Forduljon márkakereskedőjéhez.
A töltést jelző LED zölden villog.	Hőmérséklet-ingadozás, az akkumulátor túl hideg vagy túl meleg a használathoz vagy a töltéshez.	Hagyja lehűlni, vagy melegítse fel az akkumulátort. Ha az akkumulátor hőmérséklete megfelelő, ismét használható vagy tölthető. Az akkumulátortöltőt 5 °C és 40 °C közötti környezeti hőmérsékleten használja.
A töltést jelző LED pirosan villog.	Hibás akkumulátor.	Forduljon márkakereskedőjéhez.

Szállítás, tárolás és ártalmatlanítás

Szállítás és raktározás

- A mellékelt lítium-ion akkumulátorokra a veszélyes anyagokra vonatkozó jogszabályok követelményei érvényesek.
- Kereskedelmi szállításnál – harmadik fél és szállítmányozó cégek esetén is – a csomagolásra és címkézésre vonatkozó speciális előírásokat be kell tartani.
- A termék elküldése előtt forduljon egy veszélyes anyagok tekintetében szakképzett személyhez. Tartsa be az összes vonatkozó nemzeti előírást.
- Ha az akkumulátort becsomagolja, a szabadon álló érintkezőket le kell fedni ragasztószalaggal. Szorosan csomagolja be az akkumulátort, hogy az ne mozdulhasson el a csomagoláson belül.
- Tároláshoz vagy szállításhoz távolítsa el az akkumulátort.
- Helyezze az akkumulátort és az akkumulátortöltőt száraz, nedvesség- és fagymentes helyre.
- Ne tartsa az akkumulátort olyan helyen, ahol elektrosztatikus töltés lehet jelen. Ne tartsa az akkumulátort fém dobozban.
- Helyezze az akkumulátort közvetlen napfénytől védett helyre, ahol a hőmérséklet 5 °C (41 °F) és 25 °C (77 °F) között van.
- Helyezze az akkumulátortöltőt közvetlen napfénytől védett helyre, ahol a hőmérséklet 5 °C (41 °F) és 45°C (113°F) között van.
- Az akkumulátortöltőt csak 5 °C (41 °F) és 40 °C (104 °F) közötti környezeti hőmérséklet mellett használja.

- Hosszú ideig való tárolás előtt tölts fel az akkumulátort 30–50%-ra.
- Az akkumulátortöltőt száraz, zárt helyen tárolja.
- A tárolás során tartsa távol az akkumulátort az akkumulátortöltőtől. Ügyeljen arra, hogy gyermekek és más jogosulatlan személyek ne érhessenek a berendezéshez. A berendezést kulccsal zárható helyen tárolja.
- A hosszú ideig való tárolás előtt tisztítsa meg a terméket, és végezze el annak teljes karbantartását.
- A sérülések és a termék károsodásának elkerülése érdekében szállításkor és tároláskor használja a terméken található szállítási biztosítószerkezetet.
- Szállításkor rögzítse biztosan a terméket.

Az akkumulátor, az akkumulátortöltő és a termék ártalmatlanítása

A terméken vagy annak csomagolásán található szimbólumok azt jelzik, hogy a termék nem minősül háztartási hulladéknak. Újrahasznosítását egy elektromos és elektronikus berendezések újrahasznosítására szolgáló ponton kell elvégezni. Ez elősegíti a környezetre és a személyekre gyakorolt káros hatások megelőzését.

A termék újrahasznosításával kapcsolatos további információkért forduljon a helyi hatóságokhoz, hulladékártalmatlanítási szolgáltatást végző vállalkozáshoz vagy kereskedőjéhez.

Műszaki adatok

Műszaki adatok

	215iL-TC
Motor	
Motortípus	BLDC
Kimenőengely fordulatszáma, ford./perc	6800
Vágószélesség, mm	255
Tömeg	
Tömeg akkumulátor nélkül, kg	2,9

	215IL-TC
Zajkibocsátás ³⁴	
Hangteljesítményszint, mért dB (A) érték	90,8
Hangteljesítményszint, garantált, L _{WA} dB (A)	93
Zajszintek ³⁵	
Zajnyomásszint a kezelő fülénél az IEC 62841-4-4 szerint, dB (A)	81,3
Rezgésszintek ³⁶	
Az IEC 62841-4-4 szerint mért rezgésszintek a fogantyúban, m/s ²	3,0/2,7
Vágófejjel ellátva (eredeti), első/hátsó.	

A termék esetében jóváhagyott akkumulátorok

Akkumulátor	BLi10		BLi20		40-B70	40-B140
Típus	Lítium-ion		Lítium-ion		Lítium-ion	Lítium-ion
Akkumulátor kapacitása, Ah	Lásd az akkumulátor típuscímkéjét		Lásd az akkumulátor típuscímkéjét		Lásd az akkumulátor típuscímkéjét	Lásd az akkumulátor típuscímkéjét
Névleges feszültség, V	36	36,5	36	36,5	36	36
Tömeg, font/kg	0,7	0,7	1,2	1,2	0,8	1,25

A termék esetében jóváhagyott akkumulátortöltők

Akkumulátortöltő	QC80	40-C80
Hálózati feszültség, V	100-240	100-240
Frekvencia, Hz	50-60	50-60
Teljesítmény, W	100	72
Kimeneti feszültség, V, egyenáram/ amper, A	36/2	43/1,6

³⁴ A környezetben a 2000/14/EK sz. EK irányelvvel összhangban hangteljesítményként mért zajkibocsátás (L_{WA}). A garantált és a mért hangteljesítmény közötti különbségnek az az oka, hogy a garantált hangteljesítmény tartalmazza a mérési eredményben lévő ingadozást és az azonos modellű termékek közti eltéréseket is a 2000/14/EK jelű irányelv értelmében.

³⁵ A termék ekvivalens hangnyomásszintjére vonatkozó jelentési adatok 3 dB (A) tipikus statisztikus ingadozással (szórással) rendelkeznek.

³⁶ A rezgésszintre vonatkozó jelentési adatok az 1,5 m/s² tipikus statisztikus ingadozásával (szórásával) rendelkeznek.

Tartozékok

Eredeti tartozékok

Eredeti tartozékok	Típus	Vágófelszerelés védőburkolata, cikksz.
Damilfej	R25B (Ø 2 mm-es szál)	529 96 69-01
Damilfej	Tri-Cut B (255 mm)	529 96 69-01

Megfelelőségi nyilatkozat

EU megfelelési nyilatkozat

A **Husqvarna AB**, SE-561 82 Huskvarna, Sweden (tel.: +46-36-146500), a saját felelősségére kijelenti, hogy a termék:

Leírás	Akkumulátoros szegélyvágó
Márka	Husqvarna
Típus/modell	215iL-TC
Megjelölés	2025-as és újabb sorozatszámok

teljes mértékben megfelelnek a következő EU-irányelveknek és szabályozásoknak:

Irányelv/rendelet	Leírás
2006/42/EK	„gépre vonatkozó”
2014/30/EU	„elektromágneses megfelelésre vonatkozó”
2000/14/EK	„környezeti zajkibocsátásra vonatkozó”
2011/65/EU	„az egyes veszélyes anyagok elektromos és elektronikus berendezésekben való alkalmazásának korlátozására vonatkozó”

valamint hogy az alábbi szabványok és/vagy műszaki előírások kerültek alkalmazásra: EN 62841-1:2015+A11:2022, IEC 62841-4-4:2020, EN ISO 12100:2010, EN IEC 63000:2018, EN IEC 55014-1:2021; EN IEC 55014-2:2021.

A 0404, A(z) 0036 TÜV SÜD Industrie Service GmbH, Westendstraße199,80686 München, Germany igazolja a Bizottság 2000/14/EK jelű irányelve VI., megfelelésértékelési eljárás című függelékének való megfelelést.

A zajkibocsátásra vonatkozó tájékoztatást illetően tekintse át a következőt: *Műszaki adatok208. oldalon.*

Huskvarna, 2025-01-10



Claes Losdal, K+F menedzser, Husqvarna AB

A műszaki dokumentációk felelőse



Sommario

Introduzione.....	212	Trasporto, stoccaggio e smaltimento.....	225
Sicurezza.....	213	Dati tecnici.....	225
Montaggio.....	220	Accessori.....	227
Utilizzo.....	220	Dichiarazione di conformità.....	228
Manutenzione.....	222	Appendice	478
Ricerca guasti.....	224		

Introduzione

Descrizione del prodotto

Husqvarna 215iL-TC è un trimmer a batteria con un motorino elettrico.

Il lavoro è in costante evoluzione per aumentare sicurezza ed efficienza durante le attività. Rivolgersi al centro di assistenza per maggiori informazioni.

Uso previsto

Il prodotto viene utilizzato con lame in materiale plastico non metallico. Non utilizzare il prodotto per attività

diverse dal taglio di erbacce, erba o vegetazione morbida simile.

Nota: I regolamenti nazionali possono imporre restrizioni sull'uso del prodotto.

Utilizzare il prodotto solo con gli accessori approvati dal produttore. Fare riferimento a *Accessori alla pagina 227*.

Panoramica del prodotto

(Fig. 1)

1. Testina portafilo Tri-Cut
2. Protezione del gruppo di taglio
3. Albero
4. Regolazione (telescopica) dell'albero
5. Impugnatura ad anello
6. Tastierino
7. Spia di avvertenza del tastierino
8. Pulsante start/stop
9. Pulsante SavE
10. Leva di comando
11. Fermo della leva di comando
12. Spia di accensione e avvertenza
13. Connettore
14. Caricabatterie 40-C80
15. Protezione piante
16. Spia di avvertenza della batteria
17. Stato della batteria
18. Pulsante indicatore dello stato della batteria
19. Pulsanti per il rilascio della batteria
20. Batteria
21. Strumento combinato
22. Menabrida
23. Manuale dell'operatore

gravi o mortali all'operatore o a terzi. Prestare attenzione e utilizzare il prodotto correttamente.

(Fig. 3)

Prima dell'uso, leggere attentamente il manuale operatore e accertarsi di aver compreso le istruzioni.

(Fig. 4)

Indossare protezioni acustiche e per gli occhi.

(Fig. 5)

Non esporre alla pioggia.

(Fig. 6)

Emissioni di rumore sull'etichetta ambientale in base alle direttive UE (inclusa anche la legislazione del Nuovo Galles del Sud) e alle normative del Regno Unito. I dati sulle emissioni di rumore sono riportati sull'etichetta della macchina e nel capitolo Dati tecnici. Applicabile solo quando il prodotto è dotato filo per decespugliatore.

(Fig. 7)

Prestare attenzione agli oggetti lanciati.

(Fig. 8)

Scollegare la batteria prima di eseguire la manutenzione.

Simboli riportati sul prodotto

(Fig. 2) **AVVERTENZA:** questo prodotto può essere pericoloso e causare lesioni

(Fig. 9)

Il prodotto o l'imballaggio del prodotto non è un rifiuto domestico. Riciclarlo in una

stazione di riciclaggio per apparecchiature elettriche ed elettroniche.

(Fig. 11)

Il prodotto è conforme alle direttive del Regno Unito vigenti.

(Fig. 10) Il prodotto è conforme alle direttive UE vigenti.

(Fig. 12)

Corrente diretta.

(Fig. 16)

La distanza tra la macchina e gli astanti deve essere di almeno 15 m.

(Fig. 17)

Non utilizzare lame in metallo.

aaaassxxxxx

La targhetta dati di funzionamento o la stampa al laser mostrano il numero di serie. **aaaa** è l'anno di produzione e **ss** è la settimana di produzione.

Simboli sulla batteria e/o sul caricabatterie

(Fig. 18)

Riciclare questo prodotto in una stazione di riciclaggio per apparecchiature elettriche ed elettroniche. (Solo per l'Europa)

(Fig. 13)

Trasformatore a prova di guasto.

(Fig. 14)

Utilizzare e conservare il caricabatteria solo in ambienti interni.

(Fig. 15)

Doppio isolamento.

Danni al prodotto

Non siamo responsabili dei danni al prodotto se:

- Il prodotto viene riparato in modo errato.
- Il prodotto viene riparato con parti che non provengono o non sono omologate dal produttore.
- Il prodotto contiene un accessorio che non proviene o non è omologato dal produttore.
- Il prodotto non viene riparato presso un centro di assistenza autorizzato o presso un'autorità competente.

Sicurezza

Definizioni di sicurezza

Le avvertenze, le precauzioni e le note sono utilizzate per evidenziare le parti importanti del manuale.



AVVERTENZA: Utilizzato se è presente un rischio di lesioni o morte dell'operatore o di passanti nel caso in cui le istruzioni del manuale non vengano rispettate.



ATTENZIONE: Utilizzato se è presente un rischio di danni al prodotto, ad altri materiali oppure alla zona adiacente nel caso in cui le istruzioni del manuale non vengano rispettate.

Nota: Utilizzato per fornire ulteriori informazioni necessarie in una determinata situazione.

Norme generali di sicurezza della macchina



AVVERTENZA: Leggere tutte le norme di sicurezza, istruzioni, illustrazioni, istruzioni e specifiche fornite con la presente macchina. La mancata osservanza di tutte le

istruzioni elencate di seguito può dare luogo a scosse elettriche, incendi e/o gravi lesioni.

Conservare tutte le avvertenze e le istruzioni per la futura consultazione.

Nota: Il termine "macchina" usato nelle norme di sicurezza fa riferimento a macchine alimentate dalla rete (con cavo di alimentazione) e a macchine alimentate a batteria (senza cavo di alimentazione).

Sicurezza dell'area di lavoro

- **Tenere l'area di lavoro pulita e ben illuminata.** Il disordine e le aree di lavoro non illuminate possono essere causa di incidenti.
- **Non lavorare con la macchina in ambienti a rischio di esplosione nei quali si trovano fluidi, gas o polveri infiammabili.** Le macchine producono scintille che potrebbero accendere polveri e vapori.
- **Durante l'utilizzo della macchina tenere a distanza bambini e altre persone.** Le distrazioni possono causare la perdita del controllo.

Sicurezza elettrica

- **La spina della macchina deve essere adatta alla presa. Evitare assolutamente di apportare modifiche alla spina. Non utilizzare adattatori per spine con macchine dotate di messa a terra.** Le spine non

modificate e le prese adatte allo scopo riducono il rischio di scosse elettriche.

- **Evitare il contatto con superfici messe a massa o collegate a terra, come condutture, radiatori, stufe e frigoriferi.** In casi simili, si verificherebbe un aumento del rischio di scosse elettriche.
- **Non esporre le macchine a pioggia o umidità.** La penetrazione di acqua in una macchina aumenta il rischio di scossa elettrica.
- **Non rovinare il cavo elettrico. Non utilizzare mai il cavo per trasportare, tirare o scollegare dalla presa la macchina. Non avvicinare il cavo a fonti di calore, olio, spigoli taglienti e neppure a parti della macchina che siano in movimento.** I cavi danneggiati o attorcigliati fanno aumentare il rischio di scosse elettriche.
- **Utilizzare, quando si lavora all'aperto con una macchina, solamente prolunghe adatte per gli ambienti esterni.** L'uso di un cavo omologato per l'impiego all'aperto riduce il rischio di scosse elettriche.
- **Se l'impiego della macchina in ambienti umidi è inevitabile, utilizzare una fonte di alimentazione con interruttore differenziale (salvavita).** L'utilizzo di un salvavita riduce il rischio di scosse elettriche.

Sicurezza personale

- **È importante concentrarsi su ciò che si sta facendo e maneggiare con giudizio la macchina durante le operazioni di lavoro. Non utilizzare mai la macchina in condizioni di stanchezza o sotto l'influsso di droghe, alcol o farmaci.** Basta un solo momento di distrazione durante l'utilizzo della macchina per ferirsi gravemente.
- **Usare sempre abbigliamento protettivo personale. Utilizzare sempre una protezione per gli occhi.** L'uso in condizioni adeguate dell'abbigliamento protettivo (come mascherina protettiva, calzature di sicurezza antiscivolo, elmetto o cuffie protettive) riduce le lesioni personali.
- **Prevenire la messa in funzione accidentale. Accertarsi che l'interruttore sia in posizione OFF prima di effettuare il collegamento alla presa dell'alimentazione e/o alla batteria, di sollevare o trasportare la macchina.** Se, in fase di trasporto della macchina, si tiene il dito sull'interruttore ovvero se si lascia collegata la macchina all'alimentazione elettrica, si possono verificare degli incidenti.
- **Rimuovere eventuali chiavi o strumenti di regolazione prima di accendere la macchina.** Una chiave o altro attrezzo rimasto attaccato a parti rotanti della macchina può provocare lesioni personali.
- **Operare in sicurezza. Operare sempre facendo attenzione a posizionare bene i piedi e a mantenere l'equilibrio.** In questo modo si potrà controllare meglio la macchina in situazioni inaspettate.
- **Vestirsi in maniera adeguata. Non indossare abiti troppo ampi o gioielli. Tenere capelli e indumenti lontani dalle parti in movimento.** Lasciati liberi,

indumenti, gioielli o capelli lunghi possono restare impigliati nelle parti in movimento.

- **Se vengono forniti dispositivi per il collegamento a strutture di aspirazione e raccolta delle polveri, accertarsi che siano collegate e utilizzate adeguatamente.** La raccolta delle polveri può ridurre i rischi legati alla presenza di questo agente.
- **Non lasciarsi ingannare da un falso senso di sicurezza e non andare oltre le norme di sicurezza per la macchina, anche se si è acquisita familiarità con l'apparecchio elettrico dopo averlo usato diverse volte.** Un'azione incauta può provocare gravi danni in una frazione di secondo.

Utilizzo e trattamento della macchina

- **Non sovraccaricare la macchina. Utilizzare la macchina corretta per un'attività ad essa destinata.** Con la macchina adatta si lavorerà meglio e in modo più sicuro nel settore di attività previsto.
- **Non utilizzare alcuna macchina il cui interruttore è difettoso.** Una macchina che non può essere controllata tramite l'interruttore è pericolosa e deve essere riparata.
- **Scollegare la spina dalla fonte di alimentazione e/o rimuovere dalla macchina il pacco batterie, se staccabile, prima di procedere a eventuali regolazioni, sostituzioni di accessori o alla conservazione dei prodotti.** Tali misure di sicurezza preventive riducono il rischio di avvio accidentale della macchina.
- **Conservare le macchine non utilizzate lontano dalla portata dei bambini. Non fare utilizzare la macchina a persone che non ne hanno dimestichezza o che non hanno letto le presenti istruzioni.** Le macchine, se utilizzate da persone inesperte, sono pericolose.
- **Effettuare la manutenzione della macchine e degli accessori. Identificare eventuali disallineamenti o inceppamenti delle parti in movimento, rottura di componenti o altre condizioni che possano ripercuotersi sul funzionamento della macchina. Far riparare le parti danneggiate prima dell'utilizzo della macchina.** Molti incidenti dipendono dalla cattiva manutenzione delle macchine.
- **Mantenere affilati e puliti gli strumenti da taglio.** Con una manutenzione adeguata, le macchine da taglio con bordi taglienti affilati risultano più facili da controllare e meno pericolose.
- **Utilizzare la macchina, gli accessori, le punte ecc. come indicato nelle presenti istruzioni, tenendo conto delle condizioni di lavoro e della prestazione da effettuare.** L'utilizzo di macchine per altre applicazioni rispetto a quelle previste può causare situazioni di pericolo.
- **Mantenere le impugnature e le superfici di presa asciutte, pulite e prive di olio e grasso.** Impugnature e superfici dell'impugnatura scivolose non permettono un utilizzo e un controllo sicuro della macchina in situazioni impreviste.

Utilizzo e manutenzione della macchina a batteria

- **Ricaricare l'attrezzo esclusivamente utilizzando il caricabatterie specificato dal produttore.** L'utilizzo di un caricabatterie indicato per un altro tipo di batteria potrebbe provocare rischio di incendio.
- **Utilizzare nelle macchine solamente le batterie previste per esse.** L'utilizzo di altri pacchi batteria potrebbe provocare lesioni e incendi.
- **Quando la batteria non viene utilizzata, tenerla lontana da altri oggetti metallici, come graffette, monete, chiavi, chiodi, viti o altri piccoli oggetti metallici che potrebbero consentire il collegamento tra i terminali.** Provocare il cortocircuito dei terminali della batteria potrebbe causare ustioni o provocare un incendio.
- **In condizioni non ottimali, la batteria potrebbe perdere liquido; evitare il contatto. Qualora il contatto avvenisse, sciacquare la parte con acqua. Se il liquido entra negli occhi, chiamare immediatamente un medico.** Il liquido fuoriuscito dalla batteria potrebbe causare irritazioni o ustioni.
- **Non usare batterie o macchine danneggiate o modificate.** Batterie danneggiate o modificate possono manifestare un comportamento imprevedibile, con rischio di incendi, esplosioni e lesioni.
- **Non esporre batterie o macchine al fuoco o a temperature elevate.** L'esposizione al fuoco o una temperatura superiore a 130 °C (265°F) può provocare esplosioni.
- **Seguire tutte le istruzioni per il caricamento della batteria e non caricare la batteria o la macchina al di fuori dell'intervallo di temperatura indicato nelle istruzioni.** Ricaricare in modo inappropriato o a temperature che non rientrano nell'intervallo specificato può danneggiare la batteria e aumentare il rischio di incendio.

Servizio

- **Far riparare la macchina solamente da personale qualificato e unicamente con parti di ricambio originali.** In questo modo viene garantita la sicurezza della macchina.
- **Non riparare mai le batterie danneggiate.** Gli interventi sulle batterie dovrebbe essere eseguito solo dal produttore o da centri assistenza autorizzati.

Avvertenze sulla sicurezza del trimmer per erba

- **Evitare di utilizzare la macchina in condizioni climatiche sfavorevoli, soprattutto quando vi è il rischio di fulmini.** Ciò riduce il rischio di essere colpiti da un fulmine.
- **Ispezionare attentamente l'area in cui la macchina deve essere utilizzata per verificare la presenza di fauna selvatica.** Durante l'utilizzo, la macchina potrebbe causare lesioni alla fauna selvatica.

- **Ispezionare attentamente l'area in cui la macchina deve essere utilizzata e rimuovere sassi, bastoncini, cavi, ossa e qualsiasi altro oggetto estraneo.** Gli oggetti che vengono scagliati possono provocare lesioni personali.
- **Prima di utilizzare la macchina, effettuare sempre un controllo visivo per verificare che il tagliente o la lama e il gruppo di taglio o della lama non siano danneggiati.** Le parti danneggiate aumentano il rischio di lesioni.
- **Attenersi alle istruzioni per la sostituzione degli accessori.** I dadi o i bulloni di fissaggio della lama serrati in modo errato possono danneggiare la lama o causarne il distacco.
- **Indossare occhiali e protezioni per orecchie, testa e mani.** L'uso di dispositivi di protezione adeguati si riduce il rischio di lesioni personali causate da frammenti volanti o dal contatto accidentale con i taglienti o il filo di taglio.
- **Durante l'utilizzo della macchina indossare sempre calzature antiscivolo e protettive. Non utilizzare la macchina a piedi nudi o indossando sandali aperti.** Così facendo si riduce il rischio di lesioni ai piedi dovute al contatto con i taglienti o il filo in movimento.
- **Durante l'utilizzo della macchina, indossare sempre pantaloni lunghi.** La pelle esposta aumenta la probabilità di lesioni causate da oggetti proiettati.
- **Tenere lontani i presenti mentre si utilizza la macchina.** I detriti lanciati possono provocare gravi lesioni personali.
- **Utilizzare sempre entrambe le mani durante il funzionamento della macchina.** Mantenere la macchina con entrambe le mani consente di evitare di perderne il controllo.
- **Tenere la macchina esclusivamente tramite le apposite impugnature isolate poiché il filo o la lama potrebbero entrare in contatto con cavi nascosti.** Se il filo di taglio o le lame entrano in contatto con un cavo sotto tensione potrebbero eccitare eventuali parti di metallo esposte della macchina e provocare una scossa elettrica all'operatore.
- **Tenere sempre una corretta posizione dei piedi e azionare la macchina solo quando è stabile a terra.** Superfici scivolose e instabili possono causare la perdita dell'equilibrio o del controllo della macchina.
- **Non utilizzare la macchina su pendenze eccessivamente ripide.** Così facendo si riduce il rischio di perdita di controllo, scivolamento e caduta con conseguenti lesioni personali.
- **Quando si lavora su pendenze, assicurarsi sempre di avere una posizione stabile, lavorare sempre trasversalmente lungo le pendenze, mai guardando a monte o a valle e prestare la massima attenzione durante i cambi di direzione.** Così facendo si riduce il rischio di perdita di controllo, scivolamento e caduta con conseguenti lesioni personali.
- **Tenere tutte le parti del corpo lontane dal tagliente, dal filo o dalla lama quando la macchina è in funzione. Prima di avviare la macchina, assicurarsi**

che il tagliente, il filo o la lama non tocchino nulla.

Un momento di disattenzione durante l'utilizzo della macchina può provocare gravi lesioni personali o ad altri.

- **Non utilizzare la macchina a un'altezza superiore a quella della vita.** Ciò aiuterà a impedire il contatto accidentale con il tagliente o con la lama, consentendo un controllo migliore della macchina in situazioni impreviste.
- **Fare attenzione al movimento di rimbalzo quando si sega un ramo o alberelli in tensione.** Quando viene rilasciata la tensione nelle fibre di legno, il ramo o l'alberello possono colpire l'operatore e/o causare la perdita di controllo della macchina.
- **Prestare estrema attenzione quando si tagliano cespugli e alberelli.** Il materiale sottile può incastrarsi nella lama e colpire l'operatore facendogli perdere l'equilibrio.
- **Mantenere il controllo della macchina e non toccare taglienti, fili o lame e altre parti in movimento pericolose mentre sono ancora in movimento.** In questo modo si riduce il rischio di lesioni dovute alle parti in movimento.
- **Trasportare la macchina dopo averla spenta e tenendola lontana dal corpo.** La corretta movimentazione della macchina riduce il rischio di contatto accidentale con il tagliente, il filo o la lama in movimento.
- **Utilizzare esclusivamente taglienti, fili, testine di taglio e lame specificate dal produttore.** Parti di ricambio non corrette possono aumentare il rischio di danni e lesioni.
- **Durante la rimozione del materiale inceppato o la manutenzione della macchina, assicurarsi che l'interruttore della corrente sia spento e che il gruppo batterie sia stato rimosso.** L'avvio imprevisto della macchina durante la rimozione di eventuali residui o la manutenzione, può causare gravi lesioni personali.

Controlli prima dell'avviamento

- Rimuovere sempre la batteria per evitare che il prodotto venga azionato per errore. Rimuovere sempre la batteria prima di procedere alla manutenzione del prodotto.
- Prima di utilizzare il prodotto e dopo ogni impatto, controllare eventuali segni di usura o danno e, se necessario, ripararli.
- Controllare l'area di lavoro. Asportare eventuali corpi estranei quali pietre, frammenti di vetro, chiodi, fili di acciaio, corde ecc. che potrebbero essere scagliati oppure avvolgere il tagliente o la relativa protezione.
- Verificare che il motore non sia sporco o danneggiato. Rimuovere l'erba e il fogliame dal motore utilizzando una spazzola. Usare i guanti quando è necessario.
- Controllare che la testina portafilo sia saldamente attaccata alla macchina.

- Controllare che il prodotto sia in perfette condizioni. Controllare che tutti i dadi e le viti siano ben serrati.
- Controllare che la testina portafilo e la protezione del gruppo di taglio non siano danneggiate o presentino incrinature. Sostituire la testina portafilo o la protezione del gruppo di taglio nel caso in cui abbiano subito degli urti o presentino incrinature. Usare sempre la protezione consigliata per ogni specifico gruppo di taglio. Vedi capitolo Dati tecnici.
- L'operatore deve accertarsi che persone o animali non si avvicinino entro un raggio di 15 metri durante il lavoro. Nel caso in cui più operatori stiano lavorando nella stessa zona, la distanza di sicurezza deve essere almeno di 15 metri.
- Eseguire un'ispezione generale del prodotto prima dell'utilizzo. Consultare il programma di manutenzione.
- La normativa nazionale o locale potrebbe regolare l'utilizzo. Assicurare la conformità alla normativa in vigore.

Impiegare sempre il buon senso.

Non è possibile coprire tutte le situazioni immaginabili che potreste affrontare. Prestare sempre attenzione e usare il buon senso. Evitate tutte le situazioni che ritenete essere superiori alle vostre capacità. Se dopo aver letto le presenti istruzioni avete ancora dubbi in merito alle procedure operative, rivolgetevi a un esperto prima di continuare.



AVVERTENZA: non consentire mai a bambini di utilizzare la macchina o avvicinarsi a essa. Data l'estrema facilità di avviamento della macchina, i bambini potrebbero essere in grado di avviarla se non sorvegliati. Sussiste il rischio di gravi lesioni personali. Quindi scollegare la batteria quando la macchina è lasciata incustodita.

Istruzioni di sicurezza generali



AVVERTENZA: Leggere le seguenti avvertenze prima di utilizzare il prodotto.

- Rimuovere la batteria per evitare che il prodotto venga azionato accidentalmente.
- Questo prodotto è uno strumento pericoloso se non si presta attenzione o se si utilizza il prodotto in modo errato. Il prodotto può causare gravi lesioni o morte dell'operatore o altre persone.
- Non utilizzare il prodotto se è stato modificato in qualche modo rispetto alle specifiche iniziali. Non sostituire una parte del prodotto senza previa approvazione del produttore. Utilizzare solo parti approvate dal produttore. Una manutenzione impropria può causare lesioni o la morte.

- Eseguire il controllo del prodotto prima dell'utilizzo. Fare riferimento a *Dispositivi di sicurezza sul prodotto alla pagina 217* e *Panoramica del prodotto alla pagina 212*. Non utilizzare un prodotto danneggiato o che non funzioni correttamente. Eseguire i controlli di sicurezza e attenersi alle istruzioni di manutenzione e riparazione riportate nel presente manuale.
- I bambini devono essere sorvegliati per evitare che giochino con il prodotto. Non consentire mai l'uso e la manutenzione del prodotto a bambini o a persone non qualificate e non lasciare la batteria collegata. Verificare l'esistenza di norme locali che fissano l'età minima dell'utilizzatore.
- Conservare il prodotto in un'area chiusa a chiave per impedire l'accesso a bambini o persone non autorizzate.
- Conservare il prodotto fuori dalla portata dei bambini.
- Evitare assolutamente di modificare la versione originale del prodotto senza l'autorizzazione del fabbricante. Utilizzare sempre accessori originali. Modifiche e/o accessori non autorizzati possono causare gravi lesioni personali o mortali all'operatore o a terzi.
- Il valore totale dichiarato relativo alle vibrazioni è stato misurato secondo metodi di verifica standard e può essere utilizzato per confrontare un attrezzo con un altro.
- È possibile utilizzare il valore totale dichiarato relativo alle vibrazioni in una valutazione preliminare dell'esposizione.
- La produzione di vibrazioni durante l'utilizzo dell'attrezzo elettrico può differire dal valore totale dichiarato, a seconda delle modalità di impiego dell'attrezzo. Gli operatori devono identificare le misure di sicurezza necessarie per la protezione in base a una stima dell'esposizione in condizioni pratiche di utilizzo (tenendo in considerazione le diverse fasi di funzionamento, vale a dire i momenti in cui l'attrezzo è spento, quando è in regime di minimo nonché quando è innestato il comando).

Nota: La normativa nazionale o locale può regolarne l'utilizzo. Assicurare la conformità alla normativa in vigore.

Dispositivi di protezione individuale



AVVERTENZA: Leggere le seguenti avvertenze prima di utilizzare il prodotto.

- Usare sempre abbigliamento protettivo personale omologato quando si utilizza il prodotto. L'uso di abbigliamento protettivo personale non elimina il rischio di lesioni, ma ne riduce la gravità in caso di incidente. Farsi consigliare dal rivenditore per la scelta dell'attrezzatura adatta.
- Usare cuffie protettive omologate.

(Fig. 19)

- Utilizzare protezioni per gli occhi omologate. Con l'uso della visiera è necessario anche l'uso di occhiali protettivi omologati. Con il termine occhiali protettivi omologati si intendono occhiali che siano conformi alle norme ANSI Z87.1 per gli USA o EN 166 per i paesi EU.

(Fig. 20)

- Indossare guanti ove necessario, ad esempio per montare, ispezionare o pulire l'attrezzatura di taglio.

(Fig. 21)

- Usare stivali protettivi con calotta in acciaio e suole antiscivolo.

(Fig. 22)

- Indossare indumenti di tessuto resistente. Indossare sempre pantaloni lunghi e pesanti e maniche lunghe. Non indossare indumenti larghi che potrebbero impigliarsi nei ramoscelli e nei rami. Non utilizzare gioielli, pantaloni corti o sandali. Non rimanere a piedi nudi. Raccogliere i capelli in modo sicuro sopra le spalle.
- Tenere a portata di mano la cassetta di primo soccorso.

(Fig. 23)

Dispositivi di sicurezza sul prodotto



AVVERTENZA: Leggere le seguenti avvertenze prima di utilizzare il prodotto.

In questo capitolo vengono presentati i dispositivi di sicurezza del prodotto, la loro funzione, il controllo e la manutenzione necessari per assicurarne una funzione ottimale. Vedere le istruzioni alla sezione *Introduzione alla pagina 212* per individuare la posizione di queste parti sul prodotto.

La durata del prodotto può ridursi e il rischio di incidenti aumentare se la manutenzione non viene eseguita correttamente e se l'assistenza e/o le riparazioni non vengono effettuate da personale qualificato. Per ulteriori informazioni, contattare il rivenditore con assistenza più vicino.



AVVERTENZA: Non utilizzare mai un prodotto con dispositivi di sicurezza danneggiati. I dispositivi di sicurezza del prodotto vanno controllati e sottoposti a manutenzione secondo quanto descritto in questo capitolo. Se il prodotto non supera tutti i controlli, contattare un'officina per le necessarie riparazioni.



ATTENZIONE: Tutte le riparazioni e l'assistenza della macchina vanno eseguite da personale specializzato. Quanto detto vale in particolare per i dispositivi di

sicurezza della macchina. Se la macchina non supera tutti i controlli sottoelencati, contattare l'officina autorizzata. L'acquisto di uno dei nostri prodotti garantisce l'assistenza di personale qualificato. Se non avete acquistato la macchina presso un rivenditore con centro di assistenza, informatevi sull'ubicazione della più vicina officina autorizzata.

Inoltre, la protezione del gruppo di taglio impedisce eventuali lesioni nel caso in cui si venga a contatto con il gruppo di taglio.

1. Arrestare il motore.
2. Eseguire un controllo visivo per verificare l'eventuale presenza di danni, ad esempio incrinature.
3. Se danneggiata, sostituire la protezione del gruppo di taglio.

Attrezzatura di taglio

Selezionare l'attrezzatura di taglio corretta ed eseguire la manutenzione per:

- Ottenere le migliori prestazioni di taglio.
- Aumentare la durata dell'attrezzatura di taglio.



AVVERTENZA: Usare solo gruppi di taglio abbinati ai tipi di protezione da noi raccomandati! Fare riferimento a *Accessori omologati alla pagina 227*. Per un corretto montaggio del filo di taglio del trimmer e delle lame in plastica, vedere le istruzioni per l'attrezzatura da taglio.



AVVERTENZA: Un'attrezzatura da taglio difettosa può aumentare il rischio di incidenti.



AVVERTENZA: Spegnerne sempre l'alimentazione prima di eseguire qualsiasi operazione sull'attrezzatura da taglio. Essa infatti continua a ruotare dopo aver rilasciato la leva di comando. Accertarsi che l'attrezzatura da taglio sia completamente ferma e staccare la batteria dal prodotto prima di iniziare qualunque operazione.

Gruppo di taglio



AVVERTENZA: Accertarsi sempre che il filo di taglio sia ben avvolto attorno al tamburo per evitare vibrazioni dannose.

(Fig. 29)

- Utilizzare esclusivamente i gruppi di taglio consigliati.
- La lunghezza del filo di taglio è importante. A parità di diametro, un filo di taglio più lungo richiede una maggiore potenza del motore rispetto a uno corto.
- Verificare che il tagliante sulla protezione del gruppo di taglio sia intatto. In questo modo, si taglia il filo alla lunghezza giusta.
- Per prolungarne la durata, immergere il filo in acqua per un paio di giorni prima dell'utilizzo.

Controllo della tastiera

1. Tenere premuto il pulsante di avvio/arresto (A). (Fig. 24)
 - a) Il prodotto è acceso quando il LED (B) si accende.
 - b) Il prodotto è spento quando il LED (B) si spegne.
2. Vedere *Tastiera alla pagina 224* se la spia di avvertenza (C) si accende o lampeggia.

Controllo del fermo della leva di comando

Il blocco della leva di comando previene l'attivazione accidentale. Quando si preme il fermo della leva di comando (A), la leva comando (B) viene rilasciata. Rilasciando l'impugnatura, la leva comando e il fermo della leva comando ritornano entrambi alle posizioni iniziali. (Fig. 25)

1. Controllare che la leva di comando sia bloccata quando il fermo si trova nella posizione iniziale. (Fig. 26)
2. Premere la leva comando e accertarsi che ritorni nella posizione iniziale quando viene rilasciata. (Fig. 27)
3. Controllare che la leva di comando e il blocco si muovano liberamente e che la molla di ritorno funzioni correttamente. (Fig. 28)
4. Avviare il prodotto. Fare riferimento a *Avviamento del prodotto alla pagina 221*.
5. Applicare la massima potenza.
6. Rilasciare la leva comando e assicurarsi che il gruppo di taglio si arresti.

Controllo della protezione del gruppo di taglio



AVVERTENZA: Non utilizzare un gruppo di taglio senza che sia stata montata un'apposita protezione approvata e fissata correttamente. Usare sempre la protezione del gruppo di taglio consigliata per il gruppo di taglio utilizzato, vedere *Dati tecnici alla pagina 225*. Il montaggio di una protezione del gruppo di taglio inadeguata o difettosa può provocare gravi lesioni personali.

La protezione del gruppo di taglio impedisce che gli oggetti vengano scagliati in direzione dell'operatore.

Sicurezza batterie



AVVERTENZA: Leggere le seguenti avvertenze prima di utilizzare il prodotto.

- Utilizzare solo la serie BLi e le batterie della serie 40-B. Per ulteriori dettagli, fare riferimento a *Dati tecnici alla pagina 225*. La batteria è codificata mediante software.
- Utilizzare solo la serie BLi e la serie di batterie 40-B ricaricabili come alimentazione per i soli prodotti correlati Husqvarna. Per evitare il rischio di lesioni, non utilizzare la batteria come fonte di alimentazione per altri dispositivi.
- Rischio di scosse elettriche. Non collegare i morsetti della batteria a chiavi, monete, viti o altro tipo di metallo. Ciò può causare un corto circuito della batteria.
- Non utilizzare batterie non ricaricabili.
- Non inserire oggetti nelle feritoie di aerazione della batteria.
- Tenere la batteria lontano dalla luce del sole, dal calore o da fiamme libere. La batteria può causare bruciature e/o ustioni chimiche.
- Tenere la batteria lontano da pioggia e umidità.
- Tenere la batteria lontano da microonde e alta pressione.
- Non tentare di smontare o rompere la batteria.
- In caso di perdite dalla batteria, non lasciare che il liquido entri in contatto con il corpo o con gli occhi. In caso di contatto con il liquido, pulire l'area con grandi quantità di acqua e sapone e consultare un medico. In caso di contatto del liquido con gli occhi, non strofinare, ma sciacquare abbondantemente con acqua per almeno 15 minuti e chiamare un medico.
- Utilizzare la batteria a temperature comprese tra -10 °C (14 °F) e 40 °C (114 °F).
- Non pulire la batteria o il caricabatterie con acqua. Fare riferimento a *Per pulire il prodotto, la batteria e il caricabatterie alla pagina 223*.
- Non utilizzare una batteria difettosa o danneggiata.
- Conservare le batterie lontano da oggetti metallici, come ad esempio chiodi, viti o gioielli.
- Tenere la batteria fuori dalla portata dei bambini.

Sicurezza del caricabatterie



AVVERTENZA: Leggere le seguenti avvertenze prima di utilizzare il prodotto.

- Rischio di scosse elettriche o cortocircuiti se non si osservano le istruzioni di sicurezza.
- Non utilizzare un caricabatterie diverso da quello fornito per il prodotto. Utilizzare i caricabatterie QC80 e 40-C80 per ricaricare la serie BLi e le batterie sostitutive della serie 40-B.

- Non tentare di smontare il caricabatterie.
- Non utilizzare un caricabatterie difettoso o danneggiato.
- Non sollevare il caricabatterie tramite il cavo di alimentazione. Per scollegare il caricabatterie da una presa di rete, tirare la spina. Non tirare il cavo di alimentazione.
- Tenere tutti i cavi e le prolunghie lontani da acqua, olio e bordi appuntiti. Fare attenzione affinché il cavo non si incastri in oggetti come, ad esempio, porte, recinti o simili.
- Non utilizzare il caricabatterie in prossimità di materiali infiammabili o materiali corrosivi. Accertarsi che il caricabatterie non sia coperto. Staccare la spina del caricabatterie in caso di fumo o incendio.
- Caricare la batteria solo in luoghi chiusi, in una posizione con un buon flusso d'aria e lontano dalla luce diretta del sole. Non caricare la batteria all'aperto. Non caricare la batteria in condizioni di umidità.
- Utilizzare esclusivamente il caricabatterie a temperature comprese tra 5 °C (41 °F) e 40 °C (104 °F). Utilizzare il caricabatterie in un ambiente con adeguato flusso d'aria, asciutto e privo di polvere.
- Non inserire oggetti nelle feritoie di raffreddamento del caricabatterie.
- Non collegare i terminali del caricabatterie a oggetti metallici, poiché si potrebbe provocare un cortocircuito del caricabatterie.
- Utilizzare prese di rete omologate che non siano danneggiate. Accertarsi che il cavo del caricabatterie non sia danneggiato. Se si utilizzano cavi di prolunga, accertarsi che questi non siano danneggiati.
- Non caricare batterie non ricaricabili nei caricabatterie.

Istruzioni di sicurezza per la manutenzione



AVVERTENZA: Leggere le seguenti avvertenze prima di eseguire la manutenzione del prodotto.

- Rimuovere la batteria prima di eseguire la manutenzione, altri controlli o montare il prodotto.
- L'operatore deve eseguire solo gli interventi di manutenzione e assistenza indicati in questo manuale operatore. Rivolgersi al Centro di assistenza di competenza per interventi di manutenzione e assistenza più importanti.
- Non pulire la batteria o il caricabatteria con acqua. Detergenti aggressivi possono causare danni alla plastica.
- Se non si esegue la manutenzione, si riduce il ciclo di vita del prodotto e aumenta il rischio di incidenti.
- È necessaria una formazione specifica per eseguire tutti gli interventi di manutenzione e lavori di riparazione, in particolare per i dispositivi di

sicurezza del prodotto. Se non vengono approvati tutti i controlli descritti nel presente manuale operatore, dopo aver eseguito la manutenzione, contattare il Centro di assistenza. La nostra azienda

garantisce la disponibilità di personale qualificato per le riparazioni e l'assistenza del prodotto.

- Utilizzare unicamente ricambi originali.

Montaggio

Introduzione



AVVERTENZA: Leggere e comprendere il capitolo sulla sicurezza prima di montare il prodotto.

Montaggio della protezione del gruppo di taglio

1. Posizionare la protezione del gruppo di taglio contro l'alloggiamento del motore. (Fig. 30)
2. Eseguire un controllo dei ganci di bloccaggio. (Fig. 31)
3. Serrare il bullone. Servirsi di una chiave universale. (Fig. 32)
4. Serrare il bullone.

Per sostituire il gruppo di taglio

1. Inserire la chiave universale nel foro per bloccare l'albero. (Fig. 33)
2. Ruotare il gruppo di taglio e spingere con cautela la chiave universale fino a bloccare l'albero di uscita.
3. Ruotare il gruppo di taglio in senso orario per rimuoverlo. Assicurarsi che il menabrida sia in posizione prima di installare il gruppo di taglio. (Fig. 34)
4. Installare il nuovo gruppo di taglio nell'ordine opposto. (Fig. 35) (Fig. 36)

Nota: Assicurarsi che il menabrida sia correttamente installato prima di installare il gruppo di taglio.

Montaggio dell'archetto di protezione per le piante

1. Montare l'archetto di protezione per le piante nei fori sull'alloggiamento del motorino. (Fig. 37)
2. Assicurarsi che la protezione delle piante possa muoversi liberamente in avanti e all'indietro. (Fig. 38)

Montaggio dell'impugnatura ad anello

1. Installare la vite nell'impugnatura ad anello. (Fig. 39)
2. Assemblare l'impugnatura ad anello sul fissaggio dell'albero.
3. Serrare le viti.
4. Regolare l'impugnatura ad anello nella posizione corretta. Vedere *Regolazione dell'impugnatura ad anello e dell'asta telescopica alla pagina 221*.

Installazione del caricabatterie 40-C80 alla parete



ATTENZIONE: Non utilizzare un cacciavite elettrico per installare il caricabatterie sulla parete. Un cacciavite elettrico può danneggiare il caricabatterie.

1. Installare il caricabatterie alla parete con le 2 viti (A). Se necessario, utilizzare tasselli per parete (B). (Fig. 40)
2. Installare i 2 tappi a vite con foro (C).
3. Collegare il cavo di alimentazione (D) al caricabatterie e a una presa a muro.

Utilizzo

Introduzione



AVVERTENZA: Leggere e comprendere il capitolo sulla sicurezza prima di utilizzare la macchina.

Prima di utilizzare il prodotto

- Esaminare l'area di lavoro per accertarsi di conoscere il tipo di terreno. Esaminare la pendenza del terreno e verificare se sono presenti ostacoli, quali pietre, rami e fossati.
- Effettuare un'ispezione visiva generale del prodotto.

- Eseguire i controlli di sicurezza, manutenzione e assistenza indicati nel presente manuale.
- Controllare che il motore non sia sporco o danneggiato. Utilizzare una spazzola per pulire il motore da erba e foglie. Usare i guanti se necessario.
- Esaminare la testina portafilo e la protezione del gruppo di taglio per rilevare eventuali danni o incrinature. Sostituire la testina portafilo e la protezione del gruppo di taglio nel caso in cui siano stati colpiti o se presentano incrinature.
- Assicurarsi che i dadi e le viti siano serrati correttamente.

- Accertarsi che tutti i coperchi, le protezioni, le maniglie e l'attrezzatura di taglio siano collegati correttamente e non siano danneggiati prima di avviare il prodotto.

Batteria



AVVERTENZA: Leggere e comprendere il capitolo sulla sicurezza prima di utilizzare la batteria. Leggere e comprendere il manuale operatore della batteria e del caricabatterie.

Mantenere la batteria e il caricabatterie a una temperatura ambiente adeguata.

Spia LED	Stato della batteria (stato di carica)	
	BLi10, BLi20	40-B70, 40-B140
4 LED sono accesi	N/D	La batteria è carica al 76% - 100%.
3 LED sono accesi	La batteria è carica al 76% - 100%.	La batteria è carica al 51% - 75%.
2 LED sono accesi	La batteria è carica al 51% - 75%.	La batteria è carica al 26% - 50%.
1 LED è acceso	La batteria è carica al 26% - 50%.	La batteria è carica al 6% - 25%.
1 LED lampeggia	La batteria è carica al 0% - 25%.	La batteria è carica al 0% - 5%.

Ricarica della batteria

È necessario caricare la batteria prima di utilizzarla per la prima volta. Una batteria nuova è carica solo al 30 %.



ATTENZIONE: Collegare il caricabatterie a una presa di corrente con la tensione e la frequenza indicate sulla targhetta dati di funzionamento.

La batteria non si carica se la sua temperatura è superiore a 50 °C/122 °F.

1. Collegare il cavo di alimentazione al caricabatterie.
2. Collegare il caricabatterie a una presa di corrente con messa a terra. Il LED di carica lampeggia una volta. (Fig. 42)
3. Collegare la batteria al caricabatterie. Il LED di carica si accende. Caricare la batteria per massimo 24 ore. (Fig. 43)
4. Premere il pulsante della spia della batteria; se tutte le spie LED si accendono, la batteria è completamente carica.
5. Estrarre la spina di alimentazione per scollegare il caricabatterie dalla presa di corrente. Non tirare il cavo di alimentazione.
6. Rimuovere la batteria dal caricabatterie.

	Temperatura ambiente
Funzionamento del prodotto	-5 °C-40 °C / 23 °F-104 °F
Caricamento della batteria	5 °C-40 °C / 41 °F-104 °F

Stato della batteria

Il display mostra lo stato di carica e se sussistono problemi con la batteria.

(Fig. 41)

Collegamento della batteria al prodotto



AVVERTENZA: Utilizzare solo la batteria Husqvarna originale per il prodotto.

1. Ricaricare completamente la batteria.
2. Spingere la batteria nel supporto della batteria del prodotto. La batteria si blocca in posizione quando si percepisce un clic. (Fig. 44)



ATTENZIONE: Se la batteria non entra facilmente nel relativo supporto, la batteria non è installata correttamente. Ciò può causare danni al prodotto.

Avviamento del prodotto

1. Tenere premuto il pulsante d'avvio/arresto fino all'accensione del LED verde. (Fig. 45)
2. Premere la leva di comando e il relativo fermo. L'attrezzatura di taglio inizia a ruotare.

Regolazione dell'impugnatura ad anello e dell'asta telescopica

1. Allentare l'impugnatura di bloccaggio e regolare l'impugnatura ad anello nella posizione corretta. (Fig. 46)

2. Chiudere l'impugnatura di bloccaggio.
3. Allentare la leva sull'albero. (Fig. 47)
4. Impostare la lunghezza necessaria sull'albero. Assicurarsi di poter vedere il triangolo sul l'albero. (Fig. 48)
5. Chiudere la leva e serrare la vite.

Nota: Non attaccare l'impugnatura ad anello sulle decalcomanie di avvertenza sull'albero.

Utilizzo della funzione SavE

Questo prodotto dispone di una funzione di risparmio energetico, SavE.

Nota: La funzione SavE non diminuisce la potenza di taglio del prodotto.

1. Premere il pulsante SavE sulla tastiera.
2. Accertarsi che il LED verde si accenda.
3. Premere nuovamente il pulsante SavE per scollegare la funzione. Il LED verde si spegne. (Fig. 49)

Funzione di arresto automatico

Il prodotto dispone di una funzione di arresto che blocca il prodotto in caso di inutilizzo. Il LED verde di avvio/arresto si spegne e il prodotto si ferma per 180 secondi.

Utilizzo del prodotto

Taglio dell'erba

1. Assicurarsi che le lame in plastica o il filo di taglio siano paralleli al terreno durante il taglio dell'erba. (Fig. 50)
2. Non spingere il Tri-Cut o la testina portafilo a terra. Ciò può causare danni al prodotto.

Nota: Una temperatura ambiente bassa vicina a 0° C può causare la rottura della lama o del filo di taglio.

3. Spostare il prodotto da un lato all'altro quando si taglia l'erba. (Fig. 51)

Nota: Non utilizzare il prodotto se il gruppo di taglio è danneggiato. Un gruppo di taglio danneggiato può causare sbilanciamenti che possono danneggiare il prodotto.

Rimozione dell'erba

Il flusso d'aria delle lame in plastica o del filo di taglio in rotazione può essere utilizzato per rimuovere l'erba tagliata da un'area.

1. Mantenere la testina portafilo, le lame in plastica o il filo di taglio paralleli al terreno e sopra di esso.
2. Accelerare alla velocità massima.
3. Spostare il gruppo di taglio da un lato all'altro e spazzare via l'erba.



AVVERTENZA: Pulire il coperchio del gruppo di taglio ogni volta che si montano delle nuove lame in plastica o un nuovo filo di taglio per prevenire lo sbilanciamento e le vibrazioni delle maniglie. Eseguire inoltre un controllo delle altre parti del gruppo di taglio e pulirle, se necessario.

Taglio vicino agli oggetti

1. Abbassare l'archetto di protezione per le piante. (Fig. 52)
2. Utilizzare l'archetto di protezione per le piante per evitare danni ad altri oggetti. (Fig. 53)

Arresto del prodotto

1. Rilasciare la leva di comando e il fermo della leva comando.
2. Premere il pulsante di avvio/arresto fino a quando il LED verde non si spegne.
3. Premere i pulsanti di rilascio sulla batteria ed estrarre la batteria dal prodotto. (Fig. 54)

Per sostituire le lame in plastica o il filo di taglio

Fare riferimento alle ultime pagine del presente manuale per l'operatore.

Manutenzione

Introduzione



AVVERTENZA: Leggere attentamente il capitolo sulla sicurezza prima di eseguire la manutenzione del prodotto.



AVVERTENZA: Rimuovere la batteria prima di eseguire la manutenzione.

Qui di seguito è disponibile una lista delle operazioni di manutenzione da eseguire sul prodotto. Per ulteriori informazioni, fare riferimento a *Panoramica del prodotto alla pagina 212*.

Manutenzione	Giornaliera	Una volta a settimana	Una volta al mese
Pulire le parti esterne del prodotto con un panno asciutto. Non utilizzare acqua.	X		
Assicurarsi che i pulsanti di avvio e arresto funzionino correttamente e che non siano danneggiati.	X		
Accertarsi che il blocco e la leva comando funzionino correttamente e in modo sicuro.	X		
Accertarsi che le impugnature siano asciutte e pulite.	X		
Accertarsi che la protezione del gruppo di taglio non sia danneggiata. Se danneggiata, sostituire la protezione del gruppo di taglio.	X		
Accertarsi che l'impugnatura o il manubrio non siano danneggiati e siano montati correttamente.	X		
Eseguire un controllo del meccanismo di bloccaggio dell'albero telescopico. Fare riferimento a <i>Per controllare il meccanismo di bloccaggio dell'albero telescopico alla pagina 224.</i>	X		
Eseguire un controllo del caricabatterie per assicurarsi che funzioni correttamente e che non sia danneggiato.	X		
Verificare che la batteria non sia danneggiata.	X		
Verificare che la batteria sia carica.	X		
Verificare che il caricabatterie non sia danneggiato.	X		
Verificare che le viti e i dadi esterni siano serrati.		X	
Accertarsi che i pulsanti di rilascio della batteria funzionino correttamente e che mantengano la batteria bloccata nel prodotto.		X	
Eseguire un controllo per vedere se è presente del grasso nel rocchetto della testina portafilo.		X	
Pulire ed eseguire un controllo dei collegamenti tra la batteria e il prodotto.			X
Pulire ed eseguire un controllo del collegamento tra la batteria e il caricabatterie.			X

Controllo della batteria e del caricabatterie

1. Controllare se la batteria presenta danni, ad esempio incrinature.
2. Controllare se il caricabatterie presenta danni, ad esempio incrinature.
3. Verificare che il cavo di collegamento del caricabatterie non sia danneggiato e che non presenti crepe.

Per pulire il prodotto, la batteria e il caricabatterie

1. Pulire il prodotto con un panno asciutto dopo l'uso.
2. Pulire la batteria e il caricabatterie con un panno asciutto. Mantenere puliti i binari guida della batteria.

3. Assicurarsi che i morsetti della batteria e il caricabatterie siano puliti prima di posizionare la batteria nel caricabatterie o nel prodotto.

Eseguire un controllo e sostituire il dispositivo Tri-Cut

1. Controllare se il dispositivo Tri-Cut è danneggiato o se presenta incrinature.
2. Rimuovere il dispositivo Tri-Cut. *Fare riferimento alla sezione "Rimuovere il dispositivo Tri-Cut nell'ultima pagina del manuale dell'operatore".*
3. Montare il dispositivo Tri-Cut. *Fare riferimento a Per sostituire il gruppo di taglio alla pagina 220.*

Per controllare il meccanismo di bloccaggio dell'albero telescopico

2. Regolare la forza della coppia. (Fig. 55)

1. Eseguire un controllo del meccanismo di bloccaggio dell'albero telescopico.

Ricerca guasti

Tastiera

Schermata dei LED	Possibili guasti	Soluzioni possibili
Il LED di errore lampeggia.	Sovraccarico	Il gruppo di taglio non può muoversi liberamente. Rilasciare il gruppo di taglio.
	Deviazione di temperatura	Lasciar raffreddare il prodotto.
Il prodotto non si avvia.	Premere la leva di comando e contemporaneamente premere il pulsante di avvio.	Rilasciare la leva di comando e arrestare il prodotto.
Il LED di errore si accende di colore rosso.	È necessario eseguire la manutenzione del prodotto.	Contattare il centro di assistenza.

Batteria

Display a LED	Possibili guasti	Possibile soluzione
Il LED verde lampeggia.	La tensione della batteria è bassa.	Caricare la batteria.
Il LED di errore lampeggia.	Deviazione di temperatura.	Utilizzare la batteria a temperature comprese tra -10 °C (14 °F) e 40 °C (104 °F).
	Tensione eccessiva.	Accertarsi che la tensione di rete corrisponda a quella indicata sulla targhetta dati di funzionamento del prodotto. Rimuovere la batteria dal caricabatterie.
Il LED di errore è acceso.	Differenza troppo elevata nella cella (1 V).	Contattare il centro di assistenza.

Caricabatteria

Problema	Possibili guasti	Soluzione possibile
Il LED di carica è rosso.	Errore permanente del caricabatterie.	Rivolgersi al proprio rivenditore.
Il LED di carica lampeggia in verde.	Deviazione di temperatura, la batteria è troppo fredda o troppo calda per essere usata o caricata.	Lasciare raffreddare la batteria o riscaldarla. Quando la batteria ha la temperatura corretta, può essere usata o caricata di nuovo. Utilizzare il caricabatterie a temperature ambiente comprese tra 5 °C (41 °F) e 40 °C (104 °F).

Problema	Possibili guasti	Soluzione possibile
Il LED di carica lampeggia in rosso.	Batteria difettosa.	Rivolgersi al proprio rivenditore.

Trasporto, stoccaggio e smaltimento

Trasporto e stoccaggio

- Le batterie agli ioni di litio in dotazione rispettano i requisiti di legge sulle merci pericolose.
- Rispettare i requisiti speciali riportati sulla confezione e sulle etichette per il trasporto commerciale, compreso quello effettuato da terzi e da corrieri.
- Parlare con personale che ha seguito una formazione specifica in materiali pericolosi prima di inviare il prodotto. Rispettare tutte le norme nazionali vigenti.
- Quando si inserisce la batteria in un contenitore, applicare del nastro adesivo sui contatti aperti. Inserire la batteria nel contenitore in modo da garantirne la massima aderenza.
- Rimuovere la batteria per la conservazione o il trasporto.
- Conservare la batteria e il caricabatterie in un luogo asciutto, privo di umidità e protetto dal gelo.
- Non conservare la batteria in aree elettricamente statiche. Non conservare mai la batteria in una scatola di metallo.
- Durante il rimessaggio, conservare la batteria in un luogo dove la temperatura è compresa tra 5 °C/41 °F e 25 °C/77 °F e lontano da luce solare.
- Durante il rimessaggio, conservare il caricabatterie in un luogo dove la temperatura è compresa tra 5 °C/41 °F e 45 °C/113 °F e lontano da luce solare.
- Utilizzare il caricabatterie soltanto quando la temperatura circostante è compresa tra 5 °C/41 °F e 40 °C/104 °F.
- Caricare la batteria dal 30% al 50% prima di immagazzinarla per lunghi periodi.
- Conservare il caricabatterie in un luogo chiuso e asciutto.
- Tenere la batteria lontano dal caricabatterie durante il rimessaggio. Non lasciare che i bambini e altre persone non autorizzate tocchino l'attrezzatura. Mantenere le attrezzature in un luogo che è possibile chiudere.
- Pulire il prodotto ed eseguire una manutenzione completa prima di conservarlo per lunghi periodi.
- Utilizzare la protezione di trasporto sul prodotto per evitare che si danneggi durante il trasporto e il rimessaggio.
- Bloccare il prodotto in modo sicuro durante il trasporto.

Smaltimento della batteria, del caricabatterie e del prodotto

I simboli sul prodotto o sull'imballaggio indicano che il presente prodotto non è rifiuto domestico. Riciclarlo in una stazione di riciclaggio per apparecchiature elettriche ed elettroniche. Ciò contribuisce ad evitare danni all'ambiente e alle persone.

Contattare le autorità locali, il servizio per i rifiuti domestici o il rivenditore per ulteriori informazioni su come riciclare il prodotto.

Dati tecnici

Dati tecnici

	215iL-TC
Motore	
Tipo di motore	BLDC
Regime albero in uscita, giri/min	6800
Larghezza di taglio, mm	255
Peso	
Peso senza batteria, kg	2,9

	215iL-TC
Emissioni di rumore ³⁷	
Livello di potenza acustica, misurato dB(A)	90,8
Livello acustico, garantito L _{WA} dB(A)	93
Livelli di rumorosità ³⁸	
Livello di pressione acustica equivalente all'orecchio dell'operatore, misurato in base alla norma IEC 62841-4-4, dB(A)	81,3
Livelli di vibrazioni ³⁹	
Livelli di vibrazioni delle maniglie, misurati in base alla norma IEC 62841-4-4, m/s ²	3,0 / 2,7
Dotato di testina portafilo (originale), anteriore/posteriore	

Batterie approvate per il prodotto

Batteria	BLI10		BLI20		40-B70	40-B140
Tipo	Ioni di litio		Ioni di litio		Ioni di litio	Ioni di litio
Capacità batteria, Ah	Fare riferimento alla decalcomania dei valori nominali della batteria		Fare riferimento alla decalcomania dei valori nominali della batteria		Fare riferimento alla decalcomania dei valori nominali della batteria	Fare riferimento alla decalcomania dei valori nominali della batteria
Tensione nominale, V	36	36,5	36	36,5	36	36
Peso, lb/kg	0,7	0,7	1,2	1,2	0,8	1,25

Caricabatterie approvati per il prodotto

Caricabatteria	QC80	40-C80
Tensione di rete, V	100-240	100-240
Frequenza, Hz	50-60	50-60
Potenza, W	100	72
Tensione di uscita, V c.c. / amp, A	36/2	43/1,6

³⁷ Emissioni di rumore nell'ambiente misurate come potenza sonora (L_{WA}) in base alla direttiva CE 2000/14/CE. La differenza tra potenza acustica misurata e garantita è che la potenza acustica garantita comprende anche la dispersione nel risultato di misurazione e le variazioni tra diversi prodotti dello stesso modello come da Direttiva 2000/14/CE.

³⁸ I dati riportati per il livello di pressione acustica equivalente del prodotto hanno una dispersione statistica tipica (deviazione standard) di 3 dB(A).

³⁹ I dati riportati per il livello di vibrazioni presentano una dispersione statistica tipica (deviazione standard) di 1,5 m/s².

Accessori

Accessori omologati

Accessori omologati	Tipo	Protezione gruppo di taglio n° codice
Testina portafilo	R25B (Ø filo 2 mm)	529 96 69-01
Testina portafilo	Tri-Cut B (255 mm)	529 96 69-01

Dichiarazione di conformità

Dichiarazione di conformità UE

Husqvarna AB, SE-561 82 Huskvarna, Svezia, tel.:
+46-36-146500, dichiara sotto la propria esclusiva
responsabilità che il prodotto indicato:

Descrizione	Trimmer a batteria
Marchio	Husqvarna
Tipo/Modello	215iL-TC
Identificazione	Numeri di serie a partire da 2025 e successivi

È pienamente conforme alle seguenti norme e direttive
UE:

Direttiva/Normativa	Descrizione
2006/42/CE	"sulle macchine"
2014/30/UE	"sulla compatibilità elettromagnetica"
2000/14/CE	"sull'emissione di rumore nell'ambiente"
2011/65/UE	"sulla restrizione dell'uso di determinate sostanze pericolose nelle apparecchiature elettriche ed elettroniche"

e che sono applicati gli standard e/o le specifiche tecniche seguenti: EN 62841-1:2015+A11:2022, IEC 62841-4-4:2020, EN ISO 12100:2010, EN IEC 63000:2018, EN IEC 55014-1:2021; EN IEC 55014-2:2021.

Organo competente: 0036 TÜV SÜD Industrie Service GmbH, Westendstraße 199, 80686 München, Germany ha certificato la conformità alla Direttiva del Consiglio 2000/14/CE, procedura di valutazione della conformità: Allegato VI

Per informazioni sulle emissioni acustiche, fare riferimento a *Dati tecnici alla pagina 225*.

Huskvarna, 2025-01-10



Claes Losdal, Responsabile ricerca e sviluppo,
Husqvarna AB

Responsabile della documentazione tecnica



目次

はじめに.....	229	搬送、保管、廃棄.....	241
安全性.....	230	主要諸元.....	242
組立.....	236	アクセサリ.....	243
Operation(操作).....	237	適合宣言.....	244
メンテナンス.....	239	付録.....	478
トラブルシューティング.....	240		

はじめに

製品の説明

Husqvarna 215iL-TC は、電気モーターで作動するバッテリー式刈払機です。

弊社では、皆様の安全と作業の効率性を向上させるため、常に製品の改善に力を入れています。詳しくは、サービス代理店までお問い合わせください。

用途

本製品は、非金属製のプラスチック製ブレードと共に使用します。本製品は、雑草、芝生、またはそれらに類似

したやわらかい植物の刈り取り以外の作業には使用しないでください。

注記： 本製品の使用においては、国内の規制が課せられる場合があります。

本製品には、メーカー認証済みのアクセサリのみを使用してください。 *アクセサリ 243* ページを参照してください。

製品の概要

(図 1)

- トリマーヘッド Tri-Cut
- カッティングアタッチメントガード
- シャフト
- シャフト調整 (テレスコープ)
- ループハンドル
- キーパッド
- キーパッド警告インジケータ
- START/STOP ボタン
- SavE ボタン
- パワートリガー
- パワートリガーロック
- 電源オン / 警告インジケータ
- コネクタ
- バッテリー充電器 40-C80
- プラントガード
- バッテリー警告インジケータ
- バッテリーステータス
- バッテリーインジケータボタン
- バッテリーリリースボタン
- バッテリー
- コンピツール
- ドライブディスク
- 取扱説明書

死亡するおそれがあります。十分に注意し、本製品を正しく使用してください。

(図 3) この取扱説明書をよくお読みになり、内容をしっかりと把握したうえで、使用してください。

(図 4) 目および耳用の保護具を着用してください。

(図 5) 雨が当たらないようにしてください。

(図 6) 環境に対する騒音排出レベルが EU (ニューサウスウェールズ州の法律も含む) および英国の指令および規制に準拠しています。騒音排出データは、本機のステッカーと主要諸元の章に記載されています。本製品にナイロンコードが装備されている場合のみ適用されます。

(図 7) 飛来物に注意してください。

(図 8) メンテナンスを行う前に、バッテリーを取り外してください。

(図 9) 本製品や本製品のパッケージは、一般廃棄物ではありません。電気・電子機器のリサイクル業者にリサイクルを依頼してください。

製品に表記されるシンボルマーク

(図 2) 警告：本製品の使用は危険を伴います。操作者や付近にいる人が重傷を負う、または

(図 10) 本製品は EU 指令適合製品です。

(図 11) 本製品は該当する英国規制に準拠していません。

(図 12) 直流。

(図 16) 本機と周囲の人々との距離は、15 m (50 フィート) 以上である必要があります。

(図 17) 金属ブレードは使用しないでください。

yyyywwxxxxx
製造番号はシリアルプレートまたはレーザー印刷に記載されています。yyyy は製造年、ww は製造された週です。

バッテリーやバッテリー充電器のシンボルマーク

(図 18) 電気・電子機器のリサイクル業者にリサイクルを依頼してください。(ヨーロッパにのみ適用)

(図 13) 安全装置付き変圧器。

(図 14) バッテリー充電器は屋内でのみ使用、保管してください。

(図 15) 二重絶縁。

製品の損傷

以下の場合、当社は製品の損傷について責任を負いません。

- 本製品が誤って修理された場合。
- メーカーによるものではない部品、またはメーカーの認可していない部品を使用して本製品を修理した場合。
- メーカーによるものではないアクセサリ、またはメーカーの認可していないアクセサリを本製品に使用した場合。
- 認定サービスセンターまたは認定販売店で本製品が修理されていない場合。

安全性

安全性の定義

警告、注意、注記は、取扱説明書の特に重要な部分を示しています。



警告： 取扱説明書の指示に従わない場合、使用者が負傷したり、死亡したりするか、あるいは付近の人に損傷を与える危険があることを意味します。



注意： 取扱説明書の指示に従わない場合、製品や他の物品、または隣接するエリアに損傷を与える危険があることを意味します。

注記： 特定の状況で必要とされる詳細情報を提供するために使用されます。

機器に関する一般的な安全上の警告



警告： 機器に付属する安全上の警告、注意事項、図、仕様をすべてお読みください。下記のすべての指示に従わない場合、感電、火災、重大な人身傷害につながるおそれがあります。

すべての警告や指示は、後で参照するために保管してください。

注記： 警告における「機器」とは、電源で動作する(コード付)機器またはバッテリー駆動(コードレス)の機器を指します。

作業エリアの安全

- 作業場所を清潔に、照明を明るく保ってください。雑然とした場所や暗い場所では事故が起こりやすくなります。
- 可燃性液体や可燃性気体、粉塵のある場所など、爆発性雰囲気の中で機器を動作させないでください。機器は、粉塵やガスを発火させる火花を発生することがあります。
- 機器の操作中は子供や周囲の人から十分な距離をとってください。注意が散漫になって、操作ミスを引き起こす可能性があります。

電気保安

- 機器のプラグはコンセントに適合している必要があります。決してプラグを改造しないでください。アダプタープラグを、アース付きの(接地された)機器で使用しないでください。改造されていないプラグおよび型の同じコンセントを使用することで、感電のリスクが低くなります。
- パイプやラジエータ、レンジ、冷蔵庫など、アースの付いた表面または接地された表面に触れないようにしてください。身体がアースまたは接地されると、感電リスクが高くなります。
- 機器を雨露や湿潤な環境にさらさないでください。機器に水が入ると、感電リスクが高まります。

- コードを本来の目的以外に使用しないでください。コードを持って機器を移動したり、引っ張ったり、電源を抜いたりしないでください。熱やオイル、とがった先端や可動部品にコードを近づけないでください。コードが損傷したり絡まると、感電リスクが高くなります。
- 屋外で機器を操作する場合は、屋外での使用に適した延長コードを使用してください。屋外での使用に適したコードを使用することで、感電の危険性は少なくなります。
- 湿気のある場所で機器を使用しなければならない場合は、電源を保護するために漏電遮断器 (RCD) を使用してください。RCD の使用により、感電リスクが低減します。
- スイッチが機能しない場合は機器を使用しないでください。スイッチで制御できない機器は危険なため、修理する必要があります。
- 機器の調整、アクセサリーの交換、機器の保管時は、電源プラグを外すが、機器からバッテリーパックを取り外してください (着脱可能な場合)。予防的な安全対策を行うことで、誤って機器を始動させる危険性が低下します。
- 使用していない機器は子供の手の届かない所に保管して、機器や機器の取り扱い方法に詳しくない人が操作しないようにしてください。不慣れなユーザーが機器を扱うと危険です。
- 機器とアクセサリーをメンテナンスしてください。可動部品の誤調整や巻き付き、部品の破損、その他、機器の動作に影響する状態がないか確認します。機器が損傷している場合は、修理してから使用してください。多くの事故は、機器のメンテナンス不良によって発生します。

個人の安全

- 機器を使用するときは、十分に気をつけて慎重に行動し、常識に従ってください。疲労時、医薬品やアルコールの影響が残っている状態で機器を使用しないでください。機器の操作中の一瞬の不注意が重大な人身傷害につながるおそれがあります。
- 身体保護具を使用してください。必ず防護メガネを着用してください。防塵マスクや滑り止め用の安全靴、ヘルメット、イヤマフなどのプロテクティブ装具を使用すると、負傷の危険性が少なくなります。
- 予期せぬ始動を防止してください。電源やバッテリーパックを接続する場合、または機器を持ち運ぶ場合は、必ずスイッチが OFF 位置であることを確認してください。スイッチに指を置いて機器を運んだり、機器のスイッチが入った状態で給電したりすると、事故につながります。
- 機器の電源を入れる前に、調整キーやレンチを外してください。機器の回転部品にレンチやキーが取り付けられたままになっていると、負傷の原因になります。
- 無理な体勢で作業しないでください。常に、安定した足場とバランスを保つようにしてください。これにより、想定外の事態でも機器を安定して制御することができます。
- 適切な服装を心がけてください。ゆったりした衣服や装身具を身につけないでください。可動部品に髪や毛や衣服を近づけないでください。ゆったりした衣服や装身具、長髪は可動部品に絡まるおそれがあります。
- 集塵装置の接続用装備が提供されている場合、それらが接続されて正しく使用されているか確認してください。集塵装置を使用すると、塵に関連する危険を回避できます。
- 機器を頻繁に使用し慣れることで、安全に無関心になり、安全上の注意事項を無視しないでください。不注意な行動により、一瞬で重大な人身事故が発生するおそれがあります。

機器の使用と手入れ

- 機器に無理な力を加えないでください。用途に合った適切な機器を使用してください。適切な機器を使用することで、設計された速度でより良く安全に作業を行えます。

- 機器の調整、アクセサリーの交換、機器の保管時は、電源プラグを外すが、機器からバッテリーパックを取り外してください (着脱可能な場合)。予防的な安全対策を行うことで、誤って機器を始動させる危険性が低下します。
- 使用していない機器は子供の手の届かない所に保管して、機器や機器の取り扱い方法に詳しくない人が操作しないようにしてください。不慣れなユーザーが機器を扱うと危険です。
- 機器とアクセサリーをメンテナンスしてください。可動部品の誤調整や巻き付き、部品の破損、その他、機器の動作に影響する状態がないか確認します。機器が損傷している場合は、修理してから使用してください。多くの事故は、機器のメンテナンス不良によって発生します。
- 切削工具は研いだ状態で清潔に保ちます。正しくメンテナンスされ、鋭利に保たれたカutting装置は、挟み込みも少なく、制御が容易です。
- 機器、アクセサリー、ビットなどは、作業条件と作業内容を考慮し、取扱説明書に従って使用してください。想定された用途と異なる作業に機器を使用すると、危険な状況を招くおそれがあります。
- ハンドル部および保持面は乾燥させて、オイルやグリースが付着しないようにきれいな状態を保ってください。ハンドルと保持面が滑りやすいと、想定外の状況下で機器の安全な取り扱いや制御ができせん。

バッテリー機器の使用と手入れ

- メーカー指定の充電器のみを使って充電してください。1種類のバッテリーパックのみに適合する充電器は、それ以外のバッテリーパックの充電で使用した場合、火災を起こす恐れがあります。
- 機器には、指定された専用バッテリーパックのみを使用してください。それ以外のバッテリーパックを使用すると、怪我や火災を招く危険があります。
- バッテリーパックを使用しないときは、ペーパーリップ、コイン、キー、爪きり、ネジなどの金物、あるいは端子間を短絡するおそれがある他の小さな金物から遠ざけるようにしてください。バッテリー端子の短絡は、火傷や火災を引き起こす恐れがあります。
- 劣悪な環境では、液体がバッテリーから漏れ出すことがあります。そのような場合、液体には触れないようご注意ください。もし万が一誤って触れてしまった場合、水で洗い流してください。液体が目に入ってしまった場合、医師の診察を受けてください。バッテリーから漏れ出した液体は、炎症や火傷を引き起こすことがあります。
- 損傷した、または改造されたバッテリーパックや機器を使用しないでください。損傷した、または改造されたバッテリーは、予測不可能な挙動を起こし、発火や破裂、障害の原因となる可能性があります。
- バッテリーパックや機器を裸火や高温にさらさないでください。火または 130 °C (265 °F) を超える温度環境にさらすと爆発する恐れがあります。

- すべての充電手順に従ってください。指定された温度範囲外でバッテリーパックまたは機器を充電しないでください。充電を不適切に行ったり、指定された範囲から外れた温度環境で行ったりした場合、バッテリーの損傷や火災発生の危険の増加につながる可能性があります。

サービス

- 機器のサービスは、資格のある修理担当者が、同一の交換部品を使用して行ってください。そうすることで、機器の安全性が維持されます。
- 損傷したバッテリーパックを決して修理しようとししないでください。バッテリーパックの修理は、製造元または認定サービス代理店が行えません。

草刈機の安全上の警告

- 悪天候の場合、特に雷発生の危険がある場合は、本製品を使用しないでください。これは、落雷の危険を避けるためです。
- 本製品を使用するエリアの野生動物について十分に調査してください。本製品の動作中に野生動物が負傷する可能性があります。
- 本製品を使用するエリアを十分に調査して、すべての石、枝、ケーブル、骨などの異物を取り除いてください。飛んでくる物によって負傷する可能性があります。
- 本製品を使用する前に、必ずカッターやブレード、およびカッターアセンブリまたはブレードアセンブリに損傷がないことを目視点検してください。パーツに損傷があると、負傷の可能性が高くなります。
- アクセサリーの交換手順に従ってください。ブレードを固定するナットやボルトの締め付けが不適切な場合、ブレードが損傷したり外れるおそれがあります。
- 目、耳、頭部、手用の保護具を着用してください。適切な保護具を着用することで、飛び散る破片による怪我やカッターやナイロンコードとの接触事故を軽減できます。
- 本製品の操作中は常に滑りにくい保護靴を着用してください。裸足やサンダルで本製品を操作しないでください。動作中のカッターやナイロンコードに足が接触しないようにすると、負傷の可能性を低減できます。
- 本製品の操作中は、必ず長ズボンを着用してください。肌が見えていると、飛ばされた物体によって負傷する可能性があります。
- 本製品の操作中は、人を近づけないようにしてください。破片が飛んで重大な負傷につながるおそれがあります。
- 本製品を操作するときは、必ず両手を使うようにしてください。両手で本製品を持つと、制御を失うことはありません。
- ナイロンコードやブレードが隠れた配線に接触する可能性があるため、絶縁グリップ面だけを掴んで本製品を持ってください。ナイロンコードやブレードが「通電」している配線に接触すると、本製品の露出している金属部分が「通電」し、作業者が感電するおそれがあります。

- 常に適切な足場を確保して地面に立っているときのみ本製品を操作してください。滑りやすい足場や不安定な足場では、バランスを保ち、本製品を制御するのが難しくなります。
- 本製品は急斜面では使用しないでください。制御が効かずに滑って転倒して負傷する可能性が減少します。
- 斜面で作業する場合は、常に足元を確認して、斜面を上り下することは避けて横方向に移動してください。方向を変えるときは特に注意を払ってください。制御が効かずに滑って転倒して負傷する可能性が減少します。
- 本製品の作動中は、体のあらゆる部分をカッター、ナイロンコード、ブレードから遠ざけるようにしてください。本製品の起動前に、カッター、ナイロンコード、ブレードに何も接触していないことを確認してください。本製品の操作中は十分に注意してください。自分自身や他の人が負傷するおそれがあります。
- 本製品は腰よりも上の高さで操作しないでください。そうすることでカッターやブレードが偶発的に何かに接触するのを防ぐことができ、不測の事態でも本製品を適切に制御することが可能になります。
- 張力がかかった低木や若木を伐採する際には、スプリングバックに注意してください。木材繊維の張力が解放されると、低木や若木が作業者を直撃する、または本製品が制御不能になって飛ばされることがあります。
- 低木や若木を伐採する際は、細心の注意を払ってください。細長い形状のものがブレードに絡まって、作業者に鞭のように跳ね返ったり、作業者を引っ張ってバランスを崩したりすることがあります。
- 本製品の制御を維持し、作動中のカッター、ナイロンコード、ブレードなどの危険な可動部品に触れないでください。これにより、可動部品による負傷のリスクが低減されます。
- 本製品を運ぶ場合は、スイッチをオフにして体から離してください。本製品を適切に取り扱うことで、誤って動作中のカッター、ナイロンコード、ブレードと接触する可能性を抑えることができます。
- メーカー指定の交換用カッター、ナイロンコード、カッティングヘッド、ブレードのみを使用してください。不適切な交換部品を使用すると、破損や負傷の危険が高まります。
- 詰まった物体を取り除くときや、本機を修理するときは、スイッチがオフで、バッテリーパックが取り外されていることを確認してください。詰まった物体を取り除くときや整備作業中に、本製品が予期せず作動すると、重傷につながるおそれがあります。

始動前の点検

- 本製品が誤って始動しないように、製品を使用しない時はバッテリーを常に取り外してください。本製品のメンテナンスを行う前に、必ずバッテリーを外してください。
- 本製品の使用前と、何らかの衝撃を受けた後は、磨耗や破損の兆候がないか確認の上、必要があれば修理してください。

- 作業エリアを点検します。石や割れたガラス、くぎ、鋼線、ひもなど、固定されておらず飛ばされたりカッターやカッターガードに絡まったりしそうなものをすべて取り除きます。
- 汚れやヒビがないかモーターを点検します。ブラシを使用してモーターから草や葉を落とします。必要に応じて、手袋を着用してください。
- トリマーヘッドが完全にトリマーに装着されているか確認します。
- 本製品が正常に動作することを確認してください。すべてのナットとネジが確実に締められているかどうかを確認します。
- トリマーヘッドとカッティングアタッチメントガードに損傷やひびのないことを確認します。トリマーヘッドやカッティングアタッチメントガードが衝撃を受けたり、ひびが入っている場合は交換します。使用するカッティングアタッチメントに推奨のガードを必ず使用してください。「主要語元」の章を参照してください。
- 本製品の使用者は、作業中に人や動物が 15 メートル以内に近づかないように注意する必要があります。同じエリアに数人の作業者がいる場合、安全距離を 15 メートル以上とる必要があります。
- 使用前に本製品全体の点検を実施してください。メンテナンスのスケジュールに目を通してください。
- 使用には、国や地方により、規制が課せられる場合があります。所定の規制に従ってください。

いつも常識のある取り扱い

起こり得る状況をすべて予測し、対応することは不可能です。常に注意を払い、常識に適った使用方法で操作してください。使用者の能力範囲外であると思われる場合は、操作を行わないでください。これらの注意事項を読んだ後も、不明点などがある場合は、使用を続けずに専門コンサルタントにご相談ください。



警告： 本機を子供に使用させたり、本機の付近に子供を近づけたりしないでください。本機は簡単に始動できるため、十分に監視していなければ子供が始動することも可能です。重大な身体的傷害を引き起こす危険があります。そのため、本機が十分な監視下にはない場合はバッテリーを外してください。

一般的な安全注意事項



警告： 本製品を使用する前に、以下の警告指示をお読みください。

- 本製品が誤って始動しないように、本製品を使用しない時はバッテリーを取り外してください。
- 本製品は、慎重かつ適切に使用しないと、危険な道具となります。本製品により、作業中や付近にいる人が重傷を負う、または死亡するおそれがあります。
- 本製品が初期仕様から変更された場合は、本製品を使用しないでください。メーカーからの承認を受けずに本製品の部品を交換しないでください。メー

ーが認可した部品のみを使用してください。誤ってメンテナンスすると、負傷または死亡に至る可能性があります。

- 使用前に本製品を点検してください。本製品の安全装置 234 ページおよび製品の概要 229 ページを参照してください。損傷した製品や正しく動作しない製品は使用しないでください。この取扱説明書の内容に従って、安全点検、メンテナンス、サービスを行ってください。
- 子供が本製品で遊ばないように、監視する必要があります。子供、または本製品やバッテリーの扱いに不慣れな人が本製品を使用しないようにしてください。地域の法律によっては、作業者の年齢制限が設けられている場合があります。
- 本製品は鍵のかかる場所に保管して、子供や許可を得ていない人が近づけないようにしてください。
- 本製品は子供の手の届かない場所に保管してください。
- いかなる理由であれ、製造者の承認を得ることなく本製品に改造を加えないでください。常に純正の部品をお使いください。不認可の設計変更や付属品は、使用者や付近にいる人の重傷や致命傷の原因となることがあります。
- 公称振動合成値は標準試験法に則って測定されており、あるツールと別のツールを比較するために使用できません。
- 公称振動合成値は振動暴露の予備評価にも使用できません。
- パワーツールの使用で発生する実際の振動は、公称合成振動値と異なり、ツールの使用方法に依存します。作業者は、自分自身を保護する目的で、実際の使用状況（ツールの電源をオフにする回数およびトリガー動作やアイドル運転の回数など、運転サイクルのあらゆる部分を考慮）における振動暴露予測を基本にした安全対策を確認する必要があります。

注記： 使用には、国や地方の法令により、規制が課せられる場合があります。所定の規制に従ってください。

身体保護具



警告： 本製品を使用する前に、以下の警告指示をお読みください。

- 本製品を使用するときは、常に、認可された身体保護具を着用してください。身体保護具で怪我を完全に防止できるわけではありませんが、万が一事故が起こった場合、負傷の度合いを軽減することができます。適切な保護具の選択については、販売店にご相談ください。
- 認可されたイヤマフを使用してください。

(図 19)

- 認可された防護メガネを使用してください。パイプーを使用する場合は、認可された防護ゴーグルも使用する必要があります。認可された保護メガネは、

米国の ANSI Z87.1 規格または EU 諸国の EN 166 に適合しなければなりません。

(図 20)

- カutting装置の取り付け、点検、清掃を行う場合は、必要に応じて保護グローブを着用してください。

(図 21)

- つま先部がスチール製で、ノンスリップ靴底の保護ブーツを着用してください。

(図 22)

- 丈夫な素材でできた服を着用してください。常に厚手の長いズボンと長袖を着用してください。小枝や枝が引っかけやすいようなゆったりした衣服は身につけないでください。装身具、半ズボン、サンダルを着用しないでください。裸足では使用しないでください。安全のため、髪の毛は肩よりも上にまとめてください。
- 救急器具を近くに用意してください。

(図 23)

本製品の安全装置



警告： 本製品を使用する前に、以下の警告指示をお読みください。

この項では、本製品の安全機能とその目的、本機の正しい動作を確保するための点検とメンテナンスの方法について説明します。本製品の部品の位置については、**はじめてに 229 ページ**を参照してください。

本製品のメンテナンスを適切に行わなかったり、専門技術者が整備・修理を行わなかったりすると、本製品の寿命が短くなり、事故発生の危険性が増します。詳しくは、お近くのサービス代理店にお問い合わせください。



警告： 安全装置が損傷している製品は決して使用しないでください。本項目の記載に従って、本製品の安全装置の点検、メンテナンスを行ってください。お持ちの製品がこれらの点検項目を一点でも満たさない場合は、お近くのサービス代理店に修理を依頼してください。



注意： 本機に関するすべてのサービス、修理には、特別な研修が必須です。本機の安全装置には、特に研修が必要です。本取扱説明書の点検に基づき、本機に不具合が見つかった場合は、サービス代理店に連絡してください。弊社の製品を購入されると、専門的な修理とサービスの提供も保証されます。本機を販売した小売店がサービス代理店ではない場合、最寄りのサービス代理店の住所を小売店にお尋ねください。

キーパッドの点検方法

1. スタート / ストップボタン (A) を押し続けます。(図 24)
 - a) 製品に電源が入っていると LED (B) が点灯します。
 - b) 製品の電源が切れていると LED (B) が消灯します。
2. 警告インジケータ (C) が点灯または点滅している場合は、キーパッド 240 ページを参照してください。

パワートリガーロックの点検

パワートリガーロックにより、偶発的な始動を防ぎます。パワートリガーロック (A) を押しとパワートリガー (B) が解放されます。ハンドルから手を放すと、パワートリガーとパワートリガーロックは元の位置に戻ります。(図 25)

1. パワートリガーロックが初期位置にあるときに、パワートリガーがロックされていることを確認します。(図 26)
2. パワートリガーを押し、放すと元の位置に戻ることを確認します。(図 27)
3. パワートリガーとパワートリガーロックがスムーズに動き、リターンスプリングが正しく作動することを確認します。(図 28)
4. 本製品を始動します。本製品の始動方法 238 ページを参照してください。
5. フルパワーにします。
6. パワートリガーを放し、カuttingアタッチメントが完全に停止することを確認します。

カuttingアタッチメントガードのチェック方法



警告： 認可されたカuttingアタッチメントガードを正しく取り付けしていないカuttingアタッチメントは使用しないでください。使用するカuttingアタッチメントに推奨されるカuttingアタッチメントガードを必ず使用してください。主要諸元 242 ページを参照してください。不適切なガードや損傷したガードを取り付けると、重傷事故の原因となる恐れがあります。

カuttingアタッチメントガードは、作業者のほうに飛んだ物体から作業者を守ります。カuttingアタッチメントガードは、作業者がカuttingアタッチメントに触って負傷することも防止します。

1. モーターを停止します。
2. ひびなどの損傷がないか、視認します。
3. 損傷がある場合は、カuttingアタッチメントガードを交換します。

カutting装置

適切なカutting装置を選んでメンテナンスすることにより、

- ・ 鋸断性能を最大限に引き出せます。
- ・ カutting装置の寿命が延びます。



警告： 当社推奨のガードが付いたカuttingアタッチメントのみを使用してください。認可されたアクセサリ 243 ページを参照してください。ナイロンコードやプラスチックブレードを装着する正しい方法については、カuttingアタッチメントの説明を参照してください。



警告： カuttingアタッチメントが損傷していると、事故の危険性が高まる恐れがあります。



警告： カuttingアタッチメントの操作を行う前に必ず電源を切ってください。パワートリガーを解放した後もしばらく回転し続けるためです。カuttingアタッチメントが完全に停止したことを確認し、本製品からバッテリーを外してから作業を開始します。

カuttingアタッチメント



警告： 危険な振動が発生することを防止するため、ナイロンコードをドラムにしっかりと均等に巻きつけてください。

(図 29)

- ・ 推奨されたカuttingアタッチメントのみを使用してください。
- ・ ナイロンコードの長さも重要です。ナイロンコードが長い場合、同じ直径の短いコードを使用する場合よりもモーターの馬力が大きくなければなりません。
- ・ カッターとカuttingアタッチメントガードに損傷がないことを確認します。これはナイロンコードを正しい長さに切るために使用します。
- ・ ナイロンコードの寿命を長くするには、水に 2~3 日浸します。

バッテリーの安全



警告： 本製品を使用する前に、以下の警告指示をお読みください。

- ・ BLi シリーズおよび 40-B シリーズのバッテリーのみ使用してください。詳細の参照先： **主要諸元 242** ページ。バッテリーはソフトウェアで暗号化されています。
- ・ 再充電可能な BLi シリーズおよび 40-B シリーズのバッテリーは、対応する Husqvarna 製品の電源としてのみ使用してください。負傷を防ぐため、このバッテリーを他の装置の電源として使用しないでください。

- ・ 感電するおそれがあります。バッテリーの端子を鍵や硬貨、ネジや他の金属に接触させないでください。バッテリーが短絡する原因になります。
- ・ 充電式ではないバッテリーは使用しないでください。
- ・ バッテリーのエアスロットに物が入らないようにしてください。
- ・ バッテリーは直射日光や熱、裸火から保護してください。バッテリーによりやけどや化学熱傷を負うおそれがあります。
- ・ バッテリーは雨から遠ざけて、濡れない状態に維持してください。
- ・ バッテリーは電子レンジや高圧から保護してください。
- ・ バッテリーを分解したり壊したりしないでください。
- ・ バッテリーから漏れが発生した場合、身体や目に液体が触れないようにしてください。液体に触れた場合、大量の水と石鹸を使用して触れた箇所を洗い流して、医療機関に相談してください。液体が目に入った場合、目をこすらずに十分な水で 15 分以上洗い流し、医療機関に相談してください。
- ・ バッテリーは -10 ~ 40 °C (14 ~ 114 °F) の温度で使用してください。
- ・ バッテリーまたはバッテリー充電器は、水で洗淨しないでください。参照： **製品、バッテリー、およびバッテリー充電器の清掃方法 240** ページ。
- ・ 不具合や損傷のあるバッテリーは使用しないでください。
- ・ バッテリーはくぎ、ネジ、または宝飾品などの金属から離して保管してください。
- ・ バッテリーは子供が近づけない場所に保管してください。

バッテリー充電器の安全性



警告： 本製品を使用する前に、以下の警告指示をお読みください。

- ・ 安全注意事項を守らないと、感電や短絡の危険があります。
- ・ 製品の付属品以外のバッテリー充電器は使用しないでください。BLi シリーズおよび 40-B シリーズの交換バッテリーを充電するときは、QC80 および 40-C80 充電器のみを使用してください。
- ・ バッテリー充電器を分解しないでください。
- ・ 故障または破損したバッテリー充電器は使用しないでください。
- ・ 電源コードを持ってバッテリー充電器を持ち上げないでください。主電源ソケットからバッテリー充電器を取り外す際は、プラグを引っ張ってください。電源コードを引っ張らないでください。
- ・ すべてのケーブルと延長コードが、水や油、または尖った物に接触しないようにしてください。ドア、フェンスなどの障害物の間に、ケーブルが挟まっていないことを確認してください。

- 可燃性の物質や、腐食の原因となる物質の近くでは、バッテリー充電器を使用しないでください。バッテリー充電器の上に覆うものが何もないことを確認してください。煙や火災が発生した場合、バッテリー充電器の電源プラグをコンセントから引き抜いてください。
- バッテリーは、通気がよく直射日光が当たらない屋内でのみ充電してください。屋外でバッテリーを充電しないでください。濡れた状態でバッテリーを充電しないでください。
- バッテリー充電器は、温度が 5~40 °C (41~104 °F) の場所だけで使用してください。充電器は、通気がよく、埃がない、乾燥した環境で使用してください。
- バッテリー充電器の冷却スロットに物が入らないようにしてください。
- バッテリー充電器が短絡するため、充電器の端子を金属物体へ接触させないでください。
- 認可された、破損していない壁コンセントを使用してください。バッテリー充電器のコードが破損していないことを確認してください。延長ケーブルを使用している場合は、破損していないことを確認してください。
- 充電不可能なバッテリーを本バッテリー充電器で充電しないでください。
- メンテナンス、その他の点検、または製品の組み立てを行う前に、バッテリーを取り外してください。
- 作業者は本取扱説明書に記載されているメンテナンスとサービスだけを実施してください。メンテナンスおよびさまざまなサービスについては、サービス代理店にお問い合わせください。
- バッテリーまたはバッテリー充電器を水分を含んだ布で拭いたり、水で洗浄したりしないでください。強い洗剤を使用すると、プラスチックの部品が損傷する場合があります。
- メンテナンスを実施しないと、製品の寿命が短くなり、事故の危険性が増します。
- 特に本製品の安全装置については、すべての整備と修理の作業に特殊な訓練が必要です。メンテナンスを実施した後、この取扱説明書の点検項目の中に不合格の項目があった場合は、サービス代理店にお問い合わせください。当社は、お客様の製品のために、プロフェッショナルな修理と整備を提供することを保証します。
- 純正の交換部品のみを使用してください。

メンテナンスのための安全注意事項



警告： 本製品のメンテナンスを行う前に、以下の警告指示を読んでください。

組立

はじめに



警告： 本製品を組み立てる前に、安全に関する章を読んで理解してください。

カッティングアタッチメントガードの取り付け方法

- カッティングアタッチメントガードをモーターハウジングに取り付けます。(図 30)
- ロックフックを点検します。(図 31)
- ボルトを締めます。コンビレンチを使用してください。(図 32)
- ボルトを締めます。

カッティングアタッチメントの変更方法

- コンビレンチを穴に置いて、シャフトをロックします。(図 33)
- カッティングアタッチメントを回し、アウトブットシャフトがブロックされるまでコンビレンチを慎重に押しします。

- カッティングアタッチメントを時計方向に回して取り外します。カッティングアタッチメントを取り付ける前に、駆動ディスクが所定の位置にあることを確認してください。(図 34)
- 新品のカッティングアタッチメントは、逆の手順で取り付けます。(図 35) (図 36)

注記： カッティングアタッチメントを取り付ける前に、駆動ディスクが正しく取り付けられていることを確認してください。

プラントガードの取り付け方法

- プラントガードをモーターハウジングの穴に取り付けます。(図 37)
- プラントガードが前後に自由に動くことを確認します。(図 38)

ループハンドルの組み立て方法

- ネジをループハンドルに取り付けます。(図 39)
- シャフトのアタッチメントにループハンドルを取り付けます。
- ネジを締め込みます。

4. ループハンドルが適切な位置になるように調整します。ループハンドルと伸縮シャフトの調整方法 238 ページを参照してください。

ださい。電動ドライバーはバッテリー充電器を損傷する可能性があります。

バッテリー充電器 (40-C80) の壁への取り付け方法



注意： バッテリー充電器を壁に取り付けるときは電動ドライバーを使用しないでく

- 2本のネジ (A) で壁にバッテリー充電器を取り付けます。必要に応じて、ウォールプラグ (B) を使用します。(図 40)
- 2個のネジ穴プラグ (C) を取り付けます。
- 電源コード (D) をバッテリー充電器と壁コンセントに接続します。

Operation (操作)

はじめに



警告： 本製品を使用する前に、安全に関する章を読んで理解してください。

本製品を操作する前に

- 作業エリアを調査し、現場の状況を十分理解してください。土地の傾斜を調べ、石、枝、溝などの障害物がなしか確認してください。
- 本製品の一般的な点検を実行します。
- 本書に記載の安全注意事項、メンテナンスおよびサービスを実施してください。
- モーターに汚れやヒビがないことを点検します。ブラシを使用してモーターから草や葉を払い落とします。必要に応じて、グローブを着用してください。
- トリマーヘッドとカッティングアタッチメントガードに損傷やひびがないか点検します。損傷やひびがある場合は、トリマーヘッドとカッティングアタッチメントガードを交換します。
- ナットとネジをしっかりと締めます。
- 本製品を使用する前に、カバー、ガード、ハンドルおよびカッティング装置のいずれにも損傷がなく、すべて正しく取り付けられていることを確認してください。

バッテリー



警告： バッテリーを使用する前に、安全に関する章をお読みになり、内容を理解してください。バッテリーおよびバッテリー充電器の取扱説明書もお読みになり、内容を理解してください。

バッテリーとバッテリー充電器を適切な周囲温度の場所に保管します。

	周囲温度
本製品の動作	-5 °C ~ 40 °C (23 °F ~ 104 °F)
バッテリーの充電	5 °C ~ 40 °C (41 °F ~ 104 °F)

バッテリーステータス

ディスプレイには、充電の状況と、バッテリーに関する問題が表示されます。

(図 41)

LED インジケータ	バッテリーステータス (充電状態)	
	BLI10、BLI20	40-B70、40-B140
LED ライトが 4 つ点灯	該当なし	バッテリーは 76 % ~ 100 % 充電済み。
LED ライトが 3 つ点灯	バッテリーは 76 % ~ 100 % 充電済み。	バッテリーは 51 % ~ 75 % 充電済み。
LED ライトが 2 つ点灯	バッテリーは 51 % ~ 75 % 充電済み。	バッテリーは 26 % ~ 50 % 充電済み。
LED ライトが 1 つ点灯	バッテリーは 26 % ~ 50 % 充電済み。	バッテリーは 6 % ~ 25 % 充電済み。
LED ライトが 1 つ点滅	バッテリーは 0 % ~ 25 % 充電済み。	バッテリーは 0 % ~ 5 % 充電済み。

バッテリーの充電

初めてバッテリーを使用する場合は、バッテリーを充電してください。新品のバッテリーは 30 %しか充電されていません。



注意： シリアルプレートで指定されている電圧と周波数の電源コンセントにのみバッテリー充電器を接続してください。

バッテリーの温度が 50 °C (122 °F) を超えると、バッテリーは充電されません。

1. 電源コードをバッテリー充電器に接続します。
2. バッテリー充電器を接地された電源コンセントに接続します。充電 LED が 1 回点滅します。(図 42)
3. バッテリーとバッテリー充電器の接続を接続します。充電 LED が点灯します。バッテリーを最大 24 時間充電します。(図 43)
4. バッテリーインジケータボタンを押します。すべての LED インジケータが点灯した場合、バッテリーは完全に充電されています。
5. 電源プラグを引いて、バッテリー充電器を電源コンセントから外します。電源コードを引っ張らないでください。
6. バッテリー充電器からバッテリーを外します。

バッテリーの取り付け方法



警告： 本製品には純正の Husqvarna バッテリーのみを使用してください。

1. バッテリーを完全に充電します。
2. バッテリーを本製品のバッテリーホルダーに押し込みます。バッテリーがロックされると、カチッという音がします。(図 44)



注意： バッテリーがバッテリーホルダーにスムーズに入らない場合は、バッテリーが正しく取り付けられていません。本製品が損傷する場合があります。

本製品の始動方法

1. 緑色の LED ランプが点灯するまで、スタート / ストップボタンを押し続けます。(図 45)
2. パワートリガーロックとパワートリガーを押します。カッティング装置が回転します。

ループハンドルと伸縮シャフトの調整方法

1. ロックハンドルを緩め、ループハンドルが正しい位置に来るように調整します。(図 46)
2. ロックハンドルを閉じます。
3. シャフトのレバーを緩めます。(図 47)

4. シャフトを必要な長さに設定します。シャフト上の三角形が見えることを確認します。(図 48)
5. レバーを閉じてネジを締め込みます。

注記： シャフトの警告ステッカー上にループハンドルを取り付けないでください。

SavE 機能の使用

本製品には電力節約機能 (SavE) が装備されています。

注記： SavE 機能によって製品の切断力が低下することはありません。

1. キーパッドで SavE ボタンを押します。
2. 緑色の LED が点灯していることを確認します。
3. もう一度 SavE ボタンを押すと、SavE 機能が停止します。緑色の LED が消灯します。(図 49)

自動シャットダウン機能

本製品には、使用していないときに製品を停止させるシャットダウン機能があります。始動 / 停止を示す緑色の LED が消灯し、180 秒後に本製品が停止します。

製品の操作方法

草を刈る場合

1. 刈払の際は、ナイロンコードやプラスチックブレードを地面と平行に維持してください。(図 50)
2. Tri-Cut やトリマーヘッドを地面に押し当てないでください。本製品が損傷する場合があります。

注記： 周囲温度が 0 °C に近いと、ブレードまたはナイロンコードが破損する可能性があります。

3. 芝を刈るときは、本製品を左右に動かします。(図 51)

注記： カッティングアタッチメントに損傷がある場合は、本製品を使用しないでください。損傷したカッティングアタッチメントは、バランスがとれず、本製品の損傷につながるおそれがあります。

草を吹き飛ばす場合

刈払機の回転するプラスチックブレードまたはナイロンコードによる気流で、刈った草をエリア外に吹き飛ばすことができます。

1. トリマーヘッド、プラスチックブレード、またはナイロンコードを、地面と平行にして地面に当たらないように保持します。
2. 最高速度で使用します。
3. カッティングアタッチメントを左右に動かし、草を吹き飛ばします。



警告： ハンドルのバランスを取り振動を抑えるため、新しいプラスチックブレードやナイロンコードを取り付ける際は、毎回カッティングアタッチメントカバーを清掃してください。カッティングアタッチメント以外の部分も点検し、必要に応じて清掃してください。

障害物の近くを刈る方法

1. プラントガードを引き下げます。(図 52)
2. 他の物体への損傷を防ぐため、プラントガードを使用してください。(図 53)

本製品の停止方法

1. パワートリガーおよびパワートリガーロックを放します。
2. 緑色の LED が消灯するまで START/STOP ボタンを押し続けます。
3. バッテリーのリリースボタンを押して、バッテリーを本製品から取り出します。(図 54)

プラスチックブレードやナイロンコードの交換方法

本取扱説明書の最後のページを参照してください。

メンテナンス

はじめに



警告： 本製品のメンテナンスを実行する前に、安全に関する章を読んで理解してください。

本製品に必要なメンテナンス手順のリストは以下のとおりです。詳しくは、製品の概要 229 ページを参照してください。

メンテナンスのスケジュール



警告： メンテナンスを実行する前にバッテリーを外してください。

メンテナンス	毎日	毎週	毎月
乾いた布で製品外側の部品を清掃します。水は使わないでください。	X		
START/STOP ボタンが正しく機能し、損傷がないことを確認します。	X		
パワートリガーとパワートリガーのロック機能が、安全面から見て正しく作動することを確認します。	X		
ハンドルに汚れがなく、乾燥した状態であることを確認します。	X		
カッティングアタッチメントガードに損傷がないことを確認してください。損傷がある場合は、カッティングアタッチメントガードを交換してください。	X		
ハンドルまたはハンドルバーに損傷がないこと、およびこれらが正しく取り付けられていることを確認してください。	X		
伸縮シャフトロック機構を点検します。伸縮シャフトのロック機構の点検方法 240 ページを参照してください。	X		
バッテリー充電器を点検し、正常に作動するか、損傷がないか確認します。	X		
バッテリーに損傷がないことを確認します。	X		
バッテリーが充電されていることを確認します。	X		
バッテリー充電器に損傷がないことを確認してください。	X		
外側のネジとナットが確実に締められていることを確認します。		X	
バッテリーのバッテリーリリースボタンが正常に作動し、本製品にバッテリーをロックしていることを確認します。		X	

メンテナンス	毎日	毎週	毎月
トリマーヘッドスプールにグリスがあるか確認します。		X	
バッテリーと本製品の接続部を清掃して確認します。			X
バッテリーとバッテリー充電器の接続部を清掃して確認します。			X

バッテリーとバッテリー充電器の点検方法

1. バッテリーにヒビなどの損傷がないか調べます。
2. バッテリー充電器にヒビなどの損傷がないか調べます。
3. 充電器の電源コードを点検し、破損や亀裂がないことを確認してください。

製品、バッテリー、およびバッテリー充電器の清掃方法

1. 使用後は、製品を乾いた布で拭いてください。
2. バッテリーとバッテリー充電器を、乾いた布で拭いてください。バッテリーガイドトラックは清潔さを保ってください。

3. バッテリーをバッテリー充電器や本製品に入れる前に、バッテリーとバッテリー充電器の端子に汚れがないことを確認してください。

Tri-Cut の点検および交換方法

1. Tri-Cut に損傷やヒビがないか点検します。
2. Tri-Cut を取り外します。取扱説明書の最後のページにある「Tri-Cut の取り外し方法」を参照してください。
3. Tri-Cut を組み立てます。カッティングアタッチメントの変更方法 236 ページを参照してください。

伸縮シャフトのロック機構の点検方法

1. 伸縮シャフトのロック機構を点検します。
2. トルクを調整します。(図 55)

トラブルシューティング

キーパッド

LED 画面	想定される不具合	解決方法
エラー LED が点滅する。	過負荷	カッティングアタッチメントを自由に動かせない。カッティングアタッチメントを解放してください。
	温度の逸脱	本製品を冷却してください。
製品が始動しない。	パワートリガーとスタートボタンを同時に押します。	パワートリガーを放して本製品を停止します。
エラー LED が赤色で点灯する。	本製品にサービス作業が必要です。	販売店にお問い合わせください。

バッテリー

LED 表示	想定される不具合	対応措置
緑色の LED が点滅する。	バッテリー電圧が低い。	バッテリーを充電してください。
エラー LED が点滅する。	温度の逸脱。	バッテリーは -10 ~ 40°C (14 ~ 104°F) の温度で使用してください。
	電圧が高すぎる。	主電源の電圧が、本製品の銘板に記載された値と一致することを確認してください。 バッテリー充電器からバッテリーを外します。

LED 表示	想定される不具合	対応措置
エラー LED が点灯する。	電池の電位差が大きすぎる (1 V)。	サービス代理店にお問い合わせください。

バッテリー充電器

問題	想定される障害	解決方法
充電 LED が赤色に点灯している。	永続的なバッテリー充電器エラーが発生しました。	販売店にお問い合わせください。
充電 LED が緑色に点滅する。	動作温度外です。バッテリーの温度が低すぎるかまたは高すぎるため、使用または充電できません。	バッテリーの温度が下がるまで待つが、温度を上げます。バッテリーの温度が適切になると、使用または充電できるようになります。バッテリー充電器は周囲の温度が 5 °C ~ 40 °C の場合に使用してください。
充電 LED が赤色に点滅する。	バッテリーの不具合。	販売店にお問い合わせください。

搬送、保管、廃棄

搬送と保管

- 同梱のリチウムイオンバッテリーは、危険物の規制に関する規則に準拠しています。
- 民間の運送業者による商用輸送においては、梱包およびラベル付けに関して所定の要件に従ってください。
- 本製品を送送する前に、危険物に関して特別な訓練を受けた担当者にご相談ください。該当するすべての国内規制に従ってください。
- バッテリーを梱包するときは、露出している端子にテープを貼ってください。バッテリーを固定し、動かないように梱包してください。
- 保管するときや搬送時はバッテリーを外してください。
- バッテリーとバッテリー充電器は、乾燥して湿気や霜がない場所に置いてください。
- 静電気が発生する可能性のある場所に本製品を保管しないでください。バッテリーは金属製の箱に保管しないでください。
- バッテリーは温度が 5 ~ 25°C (41 ~ 77°F) の場所に保管し、直射日光から遠ざけてください。
- バッテリー充電器は温度が 5 ~ 45°C (41 ~ 113°F) の場所に保管し、直射日光から遠ざけてください。
- バッテリー充電器は、周囲温度が 5°C ~ 40°C の場合のみ使用してください。

- バッテリーを長期間保管するときは、充電量を 30 ~ 50 % にしてください。
- バッテリー充電器は、密閉した乾いた場所に保管してください。
- バッテリーの保管中は、バッテリー充電器から遠ざけてください。子供や許可されていない他の人が機器に触れないようにしてください。施錠できる場所に装置を保管してください。
- 製品を長期間保管する場合は、その前に製品を清掃し、よく点検しておいてください。
- 搬送中および保管中に製品が傷ついたり損傷したりしないように、製品の移動用ガードを使用してください。
- 搬送中は製品をしっかりと固定してください。

バッテリー、バッテリー充電器、および製品の廃棄

本製品や本製品パッケージ上のマークは、本製品が家庭ゴミではないことを示します。電気・電子機器の再利用を行うため、リサイクル営業所に引き渡します。これにより環境や人への被害を防ぐことができます。

本製品のリサイクルの詳細については、地方自治体、廃棄物処理業者または販売店にお問い合わせください。

主要諸元

主要諸元

		215iL-TC
モーター		
モータータイプ	BLDC	
出力シャフト速度、r/min	6800	
刈幅、mm	255	
質量		
バッテリーを除いた質量、kg	2.9	
騒音排出⁴⁰		
実測音響レベル dB (A)	90.8	
音響パワーレベル、保証 L _{WA} dB (A)	93	
騒音レベル⁴¹		
使用者の聴覚の等価音圧レベル。IEC 62841-4-4 に従った計測値、dB (A)	81.3	
振動レベル⁴²		
ハンドルの振動レベル、IEC 62841-4-4 に準拠して測定、m/s ²	3.0/2.7	
トリマーヘッド (純正) を装着した状態、前 / 後		

認可されたバッテリー

バッテリー	BLi10		BLi20		40-B70	40-B140
タイプ	リチウムイオン		リチウムイオン		リチウムイオン	リチウムイオン
バッテリー容量 (Ah)	バッテリー定格ステッカー参照		バッテリー定格ステッカー参照		バッテリー定格ステッカー参照	バッテリー定格ステッカー参照
公称電圧、V	36	36.5	36	36.5	36	36
質量、ポンド / kg	0.7	0.7	1.2	1.2	0.8	1.25

⁴⁰ 環境における騒音の排出は、EC 指令 2000/14/EC に従って、音響パワー (L_{WA}) として測定。保証音響と計測音響の違いは、保証音響に計測結果のばらつきと、同一モデルの異なる機器の差異が含まれているためです。これは指令 2000/14/EC に則っています。

⁴¹ 報告データによれば、製品の等価音圧レベルの一般的な統計上のばらつき (標準偏差) は 3 dB (A) です。

⁴² 報告データによれば、等価振動レベルの一般的な統計上のばらつき (標準偏差) は、1.5 m/s² です。

認可されたバッテリー充電器

バッテリー充電器	QC80	40-C80
主電源電圧 (V)	100 ~ 240	100 ~ 240
周波数、Hz	50/60	50/60
電力、W	100	72
出力電圧、V d.c./アンペア、A	36/2	43/1.6

アクセサリ

認可されたアクセサリ

認可されたアクセサリ	タイプ	カッティングアタッチメントガード、部品番号
ナイロンカッター	R25B (Ø 2 mm コード)	529 96 69-01
ナイロンカッター	Tri-Cut B (255 mm)	529 96 69-01

適合宣言

EU 適合宣言

ハスクバーナ社 (Husqvarna AB, SE-561 82 Huskvarna, Sweden、電話番号 : +46-36-146500) は、単独責任のもとで、以下の製品の適合を宣言します。

名称	バッテリー草刈機
ブランド	Husqvarna
タイプ / モデル	215iL-TC
ID	2025 年以降の製造番号

が以下の EU 指令および規制を完全に順守し、

指令 / 規制	名称
2006/42/EC	「機械類に関する」
2014/30/EU	「電磁環境適合性に関する」
2000/14/EC	「環境への騒音排出に関する」
2011/65/EU	「電気・電子製品に含まれる特定有害物質の使用制限に関する」

および以下の規格または技術仕様が適用されています。
EN 62841-1:2015+A11:2022, IEC 62841-4-4:2020, EN ISO 12100:2010, EN IEC 63000:2018, EN IEC 55014-1:2021; EN IEC 55014-2:2021。

試験機関 : 0036 TÜV SÜD Industrie Service GmbH, Westendstraße199,80686 München,Germany が評議会指令 2000/14/EC 適合性評価補足 VI の準拠を確認しました。

騒音排出に関する詳細は、主要諸元 242 ページを参照してください。

Huskvarna, 2025-01-10



Claes Losdal, R&D Manager, Husqvarna AB

正式代表兼技術文書担当



TURINYS

Įvadas.....	245	Transportavimas, saugojimas ir utilizavimas.....	257
Sauga.....	246	Techniniai duomenys.....	258
Surinkimas.....	252	Priedai.....	259
Naudojimas.....	253	Atitikties deklaracija.....	260
Techninė priežiūra.....	255	Priedas	478
Gedimai ir jų šalinimas.....	256		

Įvadas

Gaminio aprašas

Husqvarna 215iL-TC yra akumuliatorinė žoliapjovė su elektriniu varikliu.

Nuolat stengiamės padidinti jūsų saugumą ir eksploatacijos efektyvumą. Dėl išsamesnės informacijos prašome kreiptis į savo techninės priežiūros atstovą.

Numatytasis naudojimas

Gaminys naudojamas su nemetaliniais plastikiniais peiliais. Gaminį naudokite tik pjaudami piktžoles, žolę ir kitą minkštą augmeniją.

Gaminio apžvalga

(Pav. 1)

1. Žoliapjovės galvutė „Tri-cut“
2. Pjovimo įtaiso apsauginis elementas
3. Velenas
4. Veleno reguliavimas (teleskopas)
5. Kilpinė rankena
6. Klaviatūra
7. Klaviatūros įspėjamasis indikatorius
8. Paleidimo / stabdymo mygtukas
9. „SavE“ mygtukas
10. Maitinimo jungiklis
11. Maitinimo jungiklio fiksatorius
12. Maitinimo ir įspėjamasis indikatorius
13. Jungtis
14. Akumuliatoriaus įkroviklis 40-C80
15. Augalų apsauga
16. Akumuliatoriaus įspėjamasis indikatorius
17. Akumuliatoriaus būseną
18. Akumuliatoriaus indikacinis mygtukas
19. Baterijos nuėmimo mygtukai
20. Akumuliatorius
21. Kombinuotasis įrankis
22. Varantysis diskas
23. Naudojimo instrukcija

Pasižymėkite: Nacionaliniai įstatymai gali nustatyti apribojimus šio produkto naudojimui.

Įrenginį naudokite tik su gamintojo patvirtintais priedais.
Žr. *Priedai psl. 259.*

Simboliai ant gaminio

- (Pav. 2) ĮSPĖJIMAS. Šis gaminys gali būti pavojingas ir rimtai sužeisti arba pražudyti naudotoją arba aplinkinius. Būkite atsargūs ir tinkamai naudokite gaminį.
- (Pav. 3) Prieš naudodami, atidžiai perskaitykite naudojimo instrukciją ir įsitikinkite, kad viską gerai supratote.
- (Pav. 4) Dėvėkite galvos, akių ir ausų apsaugą.
- (Pav. 5) Nepalikite lietuje.
- (Pav. 6) Į aplinką skleidžiamo triukšmo etiketė atitinka ES (įskaitant Naujojo Pietų Velso teisės aktus) ir JK direktyvas bei reglamentus. Triukšmo emisijos duomenys nurodyti įrenginio etiketėje ir skyriuje „Techniniai duomenys“. Taikoma tik tada, kai gaminys turi žoliapjovės lyną.
- (Pav. 7) Saugokitės išsviestų objektų.
- (Pav. 8) Prieš atlikdami techninę apžiūrą atjunkite akumuliatorių.

(Pav. 9) Gaminys ar gaminio pakuotė nepriskiriami buitiniams atliekoms. Nuvežkite jį į elektros ir elektronikos įrenginių perdirbimo punktą.

(Pav. 11) Šis gaminys atitinka taikytinų JK reglamentų nuostatas.

(Pav. 10) Šis gaminys atitinka taikomas ES direktyvas.

(Pav. 12) Nuolatinė srovė.

(Pav. 16) Tarp įrenginio ir šalia esančių asmenų turi būti ne mažesnis kaip 15 m (50 pėd.) atstumas.

(Pav. 17) Nenaudokite metalinių peilių.

yyyywwxxxx

Vardinėje parametru arba lazeriu įspaustuje plokštelėje nurodytas serijos numeris. **yyyy** yra pagaminimo metai, o **ww** yra pagaminimo savaitė.

Simboliai ant akumulatoriaus ir (ar) akumulatoriaus įkroviklio

(Pav. 18) Nuvežkite šį gaminį į elektros ir elektronikos įrenginių perdirbimo punktą. (galioja tik Europoje)

(Pav. 13) Apsaugotas transformatorius.

(Pav. 14) Akumulatoriaus įkroviklį naudokite ir laikykite tik uždaroje patalpose.

(Pav. 15) Dviguba izoliacija.

Produkto pažeidimai

Mes neatsakome už mūsų gaminio sugadinimą, jei:

- gaminys netinkamai suremontuotas;
- gaminys suremontuotas naudojant kito gamintojo arba gamintojo nepatvirtintas dalis;
- gaminys turi kito gamintojo arba gamintojo nepatvirtintą priedą;
- gaminys suremontuotas ne patvirtintame techninės priežiūros centre arba jį suremontavo ne patvirtintas atstovas.

Sauga

Saugos ženklų reikšmės

Įspėjimai, perspėjimai ir pastabos yra skirtos atkreipti dėmesį į ypač svarbias vadovo dalis.



PERSPĖJIMAS: Naudojamas, kai naudotojui ar šalia esantiems asmenims kyla mirtino arba sunkaus sužeidimo pavojus arba, jei nesilaikoma vadove pateiktų nurodymų.



PASTABA: Naudojamas, kai kyla pavojus sugadinti gaminį, kitas medžiagas arba padaryti žalą aplinkai, jei nesilaikoma vadove pateiktų nurodymų.

Pasižymėkite: Naudojamas papildomai informacijai apie konkrečią situaciją pateikti.

Bendrieji elektrinių įrankių saugos nurodymai



PERSPĖJIMAS: Perskaitykite visus saugos įspėjimus, instrukcijas, iliustracijas ir specifikacijas, pateikiamas su šiuo gaminiumi. Nesilaikydami toliau nurodytų instrukcijų galite sukelti gaisrą, gauti elektros smūgį ir (ar) rimtai susižeisti.

Išsaugokite visus saugos nurodymus ir instrukcijas ateičiai.

Pasižymėkite: Terminas „gaminys“ įspėjimuose reiškia iš elektros tinklo maitinamą (laidinį) gaminį arba akumuliatorinį (belaidį) gaminį.

Sauga darbo zonoje

- Darbo vieta turi būti švari ir gerai apšviesta. Netvarkinga ar neapšviesta darbo zona gali būti nelaimingo atsitikimo priežastis.
- Nenaudokite gaminio sprogiose aplinkose, pavyzdžiui, ten, kur yra degių skysčių, dujų arba dulkių. Gaminiumi veikiant gali kilti kibirkščių, kurios gali uždegti dulkes ar garus.

- **Naudodami gaminį užtikrinkite, kad vaikai ir kiti asmenys laikytųsi atokiau nuo gaminio.** Jei kas nors atitrauks jūsų dėmesį, galite nesuvaldyti prietaiso.

Elektrosauga

- **Gaminio kištukas turi atitikti elektros lizdą. Niekada nebandykite koku nors būdu perdaryti kištuko. Jei naudojate įžemintus gaminius, nenaudokite jokių kištukų adapterių.** Jeigu kištukai nėra perdaryti ir atitinka elektros lizdus, elektros smūgio pavojus yra mažesnis.
- **Nesilieskite prie elektros laidininkų paviršių, pavyzdžiui, vamzdžių, radiatorių, viryklių ir šaldytuvų.** Jei kūnas taps elektros laidininku, iškyla elektros smūgio pavojus.
- **Nelaikykite gaminį lietuje arba drėgnoje aplinkoje.** Į gaminį patekęs vanduo padidina elektros smūgio pavojų.
- **Tinkamai naudokite laidą. Niekada neneškite gaminio laikydami už laido, netraukite jo ir nebandykite traukdamai laidą ištraukti kištuką. Laikykite laidą atokiai nuo šilumos šaltinių, tepalų, aštrių briaunų ar judančių dalių.** Dėl pažeistų arba susipainiojusių laidų padidėja elektros smūgio rizika.
- **Jei gaminį naudojate lauke, naudokite lauke skirtą naudoti ilgintuvą.** Naudojant lauke skirtą naudoti ilgintuvą, sumažėja elektros smūgio rizika.
- **Jeigu gaminį būtina naudoti drėgnoje aplinkoje, naudokite liekamosios srovės įtaisų (LSĮ) apsaugotą maitinimo šaltinį.** Naudojant LSĮ, sumažėja elektros smūgio pavojus.

Asmens sauga

- **Naudodami gaminį būkite budrūs, stebėkite savo veiksmus ir vadovaukitės sveiku protu. Nenaudokite gaminio, jei esate pavargę, apsvaigę nuo narkotikų, alkoholio arba vaistų.** Dirbant su gaminiumi netgi akimirksnis neatidumo gali būti sunkaus sužeidimo priežastis.
- **Naudokite asmenines apsaugines priemones. Visuomet užsidėkite akių apsaugos priemones.** Dėl atitinkamomis sąlygomis naudojamų apsauginių priemonių, pavyzdžiui, respiratorių, neslystančių apsauginių batų, šalmo arba apsauginių ausinių, sumažėja sužeidimų rizika.
- **Saugokitės atsitiktinio įsijungimo. Prieš jungdami įrankį į elektros tinklą ir (arba) prie akumuliatoriaus, keldami ar nešdami, įsitinkite, kad gaminys yra išjungtas.** Jei nešite gaminį laikydami pirštą ant jungiklio ar prijungsite jį prie maitinimo šaltinio, kai jungiklis yra įjungimo padėtyje, gali įvykti nelaimingas atsitikimas.
- **Prieš įjungdami gaminį, pašalinkite iš jo visus reguliavimo raktus ar veržliarakčius.** Besisukančiose gaminio dalyse paliktas veržliaraktis arba raktas gali sužeisti.
- **Neužsimokite per plačiai. Visada tvirtai stovėkite ant kojų ir laikykite pusiausvyrą.** Tik taip galėsite suvaldyti elektrinį įrankį iškilus netikėtoms aplinkybėms.

- **Apsirenkite tinkamai. Niekada nedėvėkite palaidų drabužių ar papuošalų. Nelaikykite plaukų ir drabužių arti judančių dalių.** Palaidi drabužiai, papuošalai arba ilgi plaukai gali įkliūti į judančias dalis.
- **Jeigu naudojate įtaisus, skirtus dulkių surinkimo įrenginiams prijungti, įsitinkite, kad jie tinkamai prijungti ir naudojami.** Naudojant dulkių surinkimo įrenginius, sumažėja su dulkmėmis susijusių pavojų rizika.
- **Būkite atidūs ir laikykitės elektriniams įrankiams galiojančių taisyklių net ir tada, kai elektrinį įrankį naudojate ne pirmą kartą.** Neatidžiai veikiant per sekundės dalis galima patirti sunkių sužalojimų.

Gaminio naudojimas ir priežiūra

- **Dirbdami su gaminiumi nenaudokite jėgos. Naudokite savo darbui tinkamą gaminį.** Su tinkamu elektriniu įrankiu dirbsite geriau ir saugiau srityje, kuriai jis buvo suprojektuotas.
- **Jeigu paspaudus jungiklį gaminys neįsijungia arba neišsijungia, nenaudokite jo.** Gaminys, kurio nepavyksta valdyti jungikliu, kelia pavojų ir turi būti pataisytas.
- **Prieš reguliuodami gaminį, keisdami priedus arba padėdami saugoti gaminį, ištraukite maitinimo laido kištuką iš elektros maitinimo šaltinio ir (arba) išimkite akumuliatorių bloką iš gaminio, jei įmanoma.** Šios atsargumo priemonės mažina pavojų, jog elektrinis įrankis įsijungs netyčia.
- **Nenaudojamus gaminius laikykite vaikams nepasiekiamoje vietoje ir neleiskite naudoti gaminio asmenims, kurie nemoka juo naudotis arba nėra susipažinę su šiomis instrukcijomis.** Nekvalifikuotų naudotojų rankose gaminiai yra pavojingi.
- **Pržiūrėkite gaminį ir jų priedus. Patikrinkite, ar sureguliuotos ir nestringa judančios dalys, ar nėra sulūžusių dalių ir kitų veiksmų, kurie gali daryti įtaką gaminio veikimui. Jei gaminys sugedęs, prieš naudodami jį sutaisykite.** Daug nelaimingų atsitikimų atsitinka dėl netinkamos elektrinių įrankių priežiūros.
- **Pjovimo įrankiai turi būti pagalstai ir švarūs.** Tinkamai prižiūrėti pjovimo gaminiai su aštriomis pjovimo briaunomis rečiau užstringa ir juos paprasčiau valdyti.
- **Gaminį, priedus, antgalius ir pan. naudokite taip, kaip nurodyta šiose instrukcijose, atsižvelgdami į darbo sąlygas ir atliekamą darbą.** Naudodami gaminį ne pagal paskirtį, galite sukelti pavojų.
- **Rankenos ir laikomieji paviršiai visuomet turi būti sausi ir švarūs (neištepti alyva ar tepalais).** Dėl slidžių rankenų ir suėmimo paviršių negalima saugiai naudoti ir valdyti gaminio netikėtose situacijose.

Akumuliatorinių gaminų naudojimas ir priežiūra

- **Akumuliatorius kraukite tik gamintojo nurodytu įkrovikliu.** Įkroviklis, tinkamas vienam akumuliatorių blokui, gali sukelti gaisro pavojų, naudojamas kitam akumuliatorių blokui įkrauti.

- **Gaminius naudokite tik su jiems skirtais akumuliatorių blokais.** Naudojant bet kokį kitą akumuliatorių bloką kyla sužeidimo ir gaisro pavojus.
- **Nenaudojamą akumuliatorių bloką laikykite toliau nuo metalinių daiktų, galinčių sukurti jungtį tarp gnybtų, pavyzdžiui sąvaržėlių, monetų, raktų, vinių, varžtų ir kitų smulkių metalinių daiktų.** Trumpai sujungus akumuliatoriaus gnybtus gali kilti gaisras arba galite nudegti.
- **Esant nepalankioms sąlygoms, iš akumuliatoriaus gali imti tekėti skystis. Nelieskite jo. Ant odos netyčia patekusį skystį nuplaukite vandeniu. Skysčiai patekus į akis kreipkitės medicininės pagalbos.** Iš akumuliatoriaus ištekėjęs skystis gali sudirginti arba nudeginti.
- **Nenaudokite akumuliatorių bloko arba gaminio, jei jis yra pažeistas arba modifikuotas.** Naudojant pažeistus ar modifikuotus akumuliatorius, jų veikimas gali būti neprognozuojamas ir jie gali sukelti gaisrą, sprogingą ar sužaloti.
- **Saugokite akumuliatorių bloką ir gaminį nuo ugnies arba aukštos temperatūros.** Sąlytis su ugnimi arba 130 °C (265 °F) temperatūra gali sukelti sprogingą.
- **Visada laikykitės visų įkrovimo nurodymų ir niekada nekraukite akumuliatorių bloko arba gaminio, jei aplinkos temperatūra nepatenka į eksploataavimo instrukcijoje nurodytą intervalą.** Netinkamai įkraunant arba esant nurodytame diapazone neišitenkančiai temperatūrai gali būti pažeistas akumuliatorius ir padidėti gaisro tikimybė.

Techninė priežiūra

- **Taisykite savo elektrinį įrankį tik tai pas kvalifikuotą personalą ir tik tai su originaliomis atsarginėmis dalimis.** Tai užtikrina, kad elektrinis įrankis išliks saugus.
- **Niekada neapžiūrėkite pažeistų akumuliatorių bloką.** Akumuliatorių bloką techninę priežiūrą gali atlikti tik gamintojas arba įgalioti paslaugų teikėjai.

Žoliapjovės saugos įspėjimai

- **Nenaudokite įrenginio blogomis oro sąlygomis, ypač jei yra žaibo pavojus.** Taip sumažinsite pavojų būti nutrenktiems žaibo.
- **Kruopščiai apžiūrėkite plotą, kuriame bus naudojamas įrenginys, ar nėra laukinių gyvūnų.** Veikiantis įrenginys gali juos sužeisti.
- **Nuodugnai patikrinkite vietą, kur bus naudojamas įrenginys, ir pašalinkite akmenis, pagalius, laidus, kaulus ir kitus pašalinius objektus.** Išsviedžiami daiktai gali sužaloti.
- **Prieš naudodami įrenginį visada patikrinkite, ar pjaustytuvas arba peilis ir pjaustytuvo arba peilio apgargas napažeisti.** Dėl apgadintų dalių didėja sužeidimo pavojus.
- **Vadovaukitės priedų keitimo instrukcijomis.** Netinkamai priveržus peilio tvirtinimo varžles ar varžtus peilis gali būti sugadintas arba jis gali nukristi.
- **Dėvėkite akių, ausų, galvos ir rankų apsaugos priemones.** Tinkamos apsaugos priemonės sumažina sužeidimo pavojų skriejant atplaišoms ar atsitiktinai prisilietimo prie pjoviklių ar linijų pavojų.
- **Dirbdami su įrenginiu visada avėkite neslystančius apsauginius batus. Nenaudokite įrenginio basi arba avėdami atvirą avalynę.** Taip sumažinsite pavojų susižeisti kojas dėl sąlyčio su judančiais pjovikliais ar lyneliais.
- **Dirbdami su įrenginiu visada mūvėkite ilgas kelnes.** Dirbant atidengta oda, didėja tikimybė susižeisti dėl išsviedžiamų objektų.
- **Naudojant įrenginį pašaliniai asmenys turi laikytis atokiau.** Išmetamos nuopjovos gali sunkiai sužeisti.
- **Naudodami įrenginį visada darbus atlikite dviem rankomis.** Įrenginį laikykite abiem rankomis, kad neprarastumėte jo kontrolės.
- **Įrenginį laikykite tik už izoliuoto rankenų paviršiaus, nes pjovimo lynelis arba peilis gali priliesti paslėptus laidus.** Pjovimo lyneliui ar peiliams palietus laidą, kuriuo teka elektros srovė, įtampa gali pasiekti atviras įrenginio metalines dalis, todėl operatorius gali patirti elektros smūgį.
- **Visada tvirtai stovėkite ant kojų, o darbus įrenginiu atlikite tik stovėdami ant žemės.** Stovėdami ant slidžių ar nestabilių paviršių galite prarasti pusiausvyrą arba nesuvaldyti įrenginio.
- **Nenaudokite įrenginio ant pėmelų stačių šlaitų.** Tokiu būdu sumažės pavojus nesuvaldyti įrenginio, paslysti ir nugriūti, tad išvengsite sužalojimų.
- **Dirbdami šlaituose visada įsitinkite, kad tvirtai stovite, šlaitu visada kilkite horizontaliai, niekada nedirbkite judėdami aukštin ir žemyn, būkite ypač atsargūs keisdami judėjimo kryptį.** Tokiu būdu sumažės pavojus nesuvaldyti įrenginio, paslysti ir nugriūti, tad išvengsite sužalojimų.
- **Atlikdami darbus įrenginiu visas kūno dalis saugokite nuo pjaustytuvo, lynelio ar peilio. Prieš paleisdami įrenginį įsitinkite, kad pjaustytuvas, lynelis ar peilis prie nieko nesiliečia.** Dirbant įrenginiu netgi akimirksnis neatidumo gali būti sunkaus susižalojimo ar kitų žmonių sužalojimo priežastis.
- **Nenaudokite įrenginio aukštyje virš juosmens.** Taip išvengsite netyčinio pjaustytuvo ar peilio prisilietimo ir geriau valdysite įrenginį netikėtomis aplinkybėmis.
- **Pjudami įtemptus krūmus ar jaunus medelius saugokitės, kad jie neatšoktų atgal.** Atsileidus medžio pluošto įtampai, įtemptas krūmas ar medis gali atsitrinti į naudotoją ir (arba) išmušti įrenginį iš rankų.
- **Ypač atsargiai pjaukite krūmus ir jaunus medelius.** Peilis gali įstrigti plonuose kamienuose ir atšokti į jus arba išversti iš kojų.
- **Išlaikykite įrenginio kontrolę ir nesilieskite prie pjaustytuvų, lynelių ar peilių bei kitų pavojingų judančių dalių, jei jos vis dar juda.** Taip sumažės pavojus susižaloti dėl judančių dalių.
- **Nešti galima tik išjungtą įrenginį ir laikant jį kuo toliau nuo kūno.** Jei įrenginys naudojamas tinkamai,

sumažėja netyčinio sąlyčio su besisukančiu pjaustytuvu, lyneliu ar peiliu galimybė.

- **Naudokite tik gamintojo nurodytus pjaustytuvus, lynelius, pjovimo galvutes ir peilius.** Dėl netinkamų atsarginių dalių kyla pavojus įrenginį sugadinti ir susižeisti.
- **Valydami užstrigusią medžiagą ar atlikdami gaminio techninę priežiūrą įsitikinkite, kad maitinimo jungiklis išjungtas, o akumulatoriaus blokas išimtas.** Netikėtai įsijungus įrenginiui, kai valoma užstrigus medžiaga arba atliekama techninė priežiūra, galima sunkiai susižeisti.

Patikrinimas prieš paleidžiant

- Būtinai nuimkite akumuliatorių, kad netyčia nepaleistumėte gaminio. Prieš atlikdami gaminio techninę priežiūrą, būtinai nuimkite akumuliatorių.
- Prieš naudodami gaminį po bet kokio sutrenkimo, patikrinkite, ar nėra nusidėvėjimo ar pažeidimo požymių ir, jei reikia, pataisykite.
- Patikrinkite darbo zoną. Pašalinkite visus palaidus objektus, pavyzdžiui, akmenis, stiklo šukes, vinis, plieninę vielą, virvės galiukus ir pan., kurie gali būti išsviedžiami į orą arba apsvygnioti aplink pjovimo įtaisą ar jo apsauginį skydą.
- Patikrinkite, ar el. variklis švarus ir jame nėra įtrūkių. Nuo variklio šepečiu nuvalykite žoles ir lapus. Kai būtina, reikia mūvėti pirštines.
- Patikrinkite, ar žoliapjovės galvutė gerai pritvirtinta prie žoliapjovės.
- Patikrinkite, ar gaminys neprikaištingos darbinės būklės. Patikrinkite, ar visos veržlės ir varžtai yra priveržti.
- Patikrinkite, ar žoliapjovės galvutė ir pjovimo priedo apsauginis skydas nėra pažeisti ar įtrūkę. Pakeiskite žoliapjovės galvutę ar pjovimo priedą, jei jie buvo sutrenkti ar yra įtrūkę. Ant pjovimo įtaiso visada tvirtinkite tik rekomenduojamą apsauginį skydą. Žr. skyrių „Techniniai duomenys“.
- Dirbdamas šiuo gaminiu, naudotojas turi pasirūpinti, kad darbo metu žmonės ar gyvūnai neprieitų arčiau nei 15 metrų atstumu. Kai vienoje vietoje šiais įrenginiais dirba keli asmenys, tarp jų turi būti išlaikomas mažiausiai 15 m saugus atstumas.
- Prieš pradėdami naudoti gaminį, atlikite bendrą apžiūrą. Žr. techninės priežiūros grafiką.
- Naudojimą gali reglamentuoti nacionalinės arba vietos taisyklės. Laikykitės nustatytų taisyklių.

Visada vadovaukitės sveiku protu

Neįmanoma numatyti visų situacijų, kurios gali iškilti. Visada elkitės atsargiai ir vadovaukitės sveiku protu. Neapsiimkite atlikti darbų, kuriems nesate pakankamai kvalifikuotas. Jeigu perskaite šią instrukciją vis dar nesate tikri, kaip naudoti įrenginį, pasitarkite su tai išmanančiu asmeniu.



PERSPĖJIMAS: Niekada neleiskite vaikams naudoti įrenginį ar būti arti jo. Kadangi įrenginį užvesti labai paprasta, neprižiūrimi vaikai gali lengvai tai padaryti. Tai reiškia, jog iškyla pavojus sunkiai susižeisti. Todėl, kai neprižiūriate įrenginio, visuomet nuimkite bateriją.

Bendrieji saugos nurodymai



PERSPĖJIMAS: Prieš naudodami gaminį, perskaitykite toliau esančius įspėjimus.

- Nuimkite akumuliatorių, kad netyčia neįjungtumėte gaminio.
- Šis gaminys gali būti pavojingas, jei būsite neatsargūs arba gaminį naudosite netinkamai. Šis gaminys gali rimtai sužeisti arba pražudyti operatorių arba aplinkinius.
- Nenaudokite gaminio, jei pasikeitė jo pradinės specifikacijos. Nekeiskite gaminio dalių, neturinčių gaminio patvirtinimo. Naudokite tik gamintojo patvirtintas dalis. Netinkamai atliekant gaminio techninę priežiūrą galima rimtai arba mirtinai susižeisti.
- Prieš darbą atlikite produkto patikrą. Žr. *Gaminio apsauginės priemonės psl. 250* ir *Gaminio apžvalga psl. 245*. Nenaudokite gaminio, jei jis yra pažeistas arba tinkamai neveikia. Atlikite šiame vadove nurodytas saugos patikras, techninės priežiūros ir aptarnavimo procedūras.
- Saugokite, kad su gaminiu nežaistų vaikai. Niekuomet neleiskite vaikams ar kitiems asmenims, neapmokytiems naudotis gaminiu ir / arba akumuliatoriumi, jais naudotis ar atlikti techninę priežiūrą. Vietos teisės aktuose gali būti nustatytas jauniausias amžius, nuo kurio galima naudoti tokius įrenginius.
- Laikykite gaminį užrakintoje patalpoje, kad jo nepasiektų vaikai arba negalioji asmenys.
- Gaminį laikykite ten, kur jo negali pasiekti vaikai.
- Be gamintojo leidimo jokia atveju negalima keisti originalios gaminio konstrukcijos. Būtinai naudokite originalias atsargines dalis. Nesuderinti konstrukcijos pakeitimai bei nepritaikytos detalės gali sukelti rimtus operatoriaus ir pašalinių asmenų kūno sužalojimus ir net mirtį.
- Nurodyta suminė vibracijos vertė gauta matuojant pagal standartinį bandymo metodą ir ją galima naudoti, norint šį įrenginį palyginti su kitais įrenginiais.
- Be to, nurodytą suminę vibracijos vertę galima naudoti pirminiam poveikio įvertinimui.
- Tikrasis vibracijos dydis elektrinio įrenginio darbo metu gali skirtis nuo nurodytos suminės vertės, kadangi tai priklauso nuo įrenginio naudojimo būdų. Operatoriai turi naudoti atitinkamas saugos

priemonės, kurios pasirenkamos įvertinus realias darbo sąlygas (atsižvelgiant į visas darbo ciklo fazes, t. y. įrenginio išjungimo (nenaudojimo) trukmę, darbo tuščiąja eiga ir realaus pjovimo trukmes).

Pasižymėkite: Naudojimą gali reglamentuoti nacionaliniai arba vietos teisės aktai. Laikykitės nustatytų taisyklių.

Asmeninės apsauginės priemonės



PERSPĖJIMAS: Prieš naudodami gaminį, perskaitykite toliau esančius išpėjimus.

- Naudodami įrenginį būtina dėvėkite patvirtintas asmenines apsaugines priemones. Asmeninės apsauginės priemonės nepadės visiškai išvengti pavojaus susižeisti, tačiau nelaimingo atsitikimo atveju mažiau nukentėsite. Leiskite prekybos atstovui padėti pasirinkti tinkamą įrangą.
- Naudokite patvirtintas apsaugines ausines.

(Pav. 19)

- Naudokite patvirtintas akių apsaugos priemones. Jei naudojamas apsauginis skydelis, turi būti nešiojami ir patvirtinti apsauginiai akiniai. Patvirtinti apsauginiai akiniai atitinka JAV ANSI Z87.1 standartą arba ES EN 166 standartą.

(Pav. 20)

- Kai būtina, pvz., montuojant, apžiūrint arba valant pjovimo įrangą, užsimaukite pirštines.

(Pav. 21)

- Avėkite apsauginius batus su plieninėmis nosimis ir neslystančiais padais.

(Pav. 22)

- Vilkėkite iš stiprios medžiagos pagamintus drabužius. Būtinai mūvėkite tvirtas, ilgas kelnes, vilkėkite aprangą ilgomis rankovėmis. Nevilkėkite laisvų drabužių, kurie gali užkibti už krūmokšnių ir šakų. Nedėvėkite papuošalų, trumpų kelnų ir neavėkite sandalų. Nebūkite basi. Saugiai susisiekite plaukus aukščiau pečių.
- Pasirūpinkite, kad netoliese būtų pirmosios pagalbos vaistinė.

(Pav. 23)

Gaminio apsauginės priemonės



PERSPĖJIMAS: Prieš naudodami gaminį, perskaitykite toliau esančius išpėjimus.

Šiame skyriuje aprašytos gaminio saugos priemonės, jų paskirtis ir patarimai, kaip atlikti patikros ir priežiūros darbus, siekiant užtikrinti tinkamą gaminio veikimą. Žr. instrukcijas skyriuje, *Įvadas psl. 245* kad sužinotumėte, kur jūsų gaminyje yra šios dalys.

Gaminio naudojimo laikas gali sutrumpėti, o nelaimingų atsitikimų pavojus gali padidėti, jei gaminys nebus tinkamai prižiūrimas, o techninė priežiūra ir (arba) remonto darbai nebus atliekami profesionaliai. Prieikus daugiau informacijos, prašome kreiptis į artimiausią techninės priežiūros atstovą.



PERSPĖJIMAS:

Niekada nenaudokite gaminio, kurio apsauginės dalys yra pažeistos. Gaminio saugos įranga turi būti tikrinama ir prižiūrima taip, kaip yra aprašyta šiame skyrelyje. Jei gaminys neatitinka bet kurio iš šių kontrolinių reikalavimų, kreipkitės į savo techninės priežiūros atstovą dėl gaminio remonto.



PASTABA:

Įrenginio techninė priežiūra ir taisyimas reikalauja specialaus pasirengimo. Tai ypač susiję su įrenginio saugos įranga. Jei jūsų įrenginys neatitiks nors vieno iš žemiau pateiktų kontrolės reikalavimų, kreipkitės į sertifikuotą remonto dirbtuvę. Įsigijus mūsų gaminį, garantuojame profesionalų aptarnavimą ir techninę priežiūrą. Jei įrenginio pardavėjas neatlieka aptarnavimo, paprašykite jo duoti artimiausios remonto dirbtuvės adresą.

Valdymo skydelio patikra

1. Paspauskite ir laikykite paleidimo / stabdymo mygtuką (A). (Pav. 24)
 - a) Gaminys įjungtas, kai šviečia šviesos diodas (B).
 - b) Gaminys išjungtas, kai užžęsta šviesos diodas (B).
2. Jeigu išsižiebia arba mirksį išpėjamas indikatorius (C), žr. *Valdymo skydelis psl. 256*

Maitinimo jungiklio užrakto patikra

Maitinimo jungiklio fiksatorius apsaugo nuo atsitiktinio paleidimo. Nuspaudus maitinimo jungiklio fiksatorių (A) maitinimo jungiklis (B) atleidžiamas. Atleidus rankeną, tiek maitinimo jungiklis, tiek jo fiksatorius grįžta į pradinę padėtį.

(Pav. 25)

1. Patikrinkite, ar maitinimo jungiklis yra užfiksuotas, kai maitinimo jungiklio fiksatorius yra savo pradinėje padėtyje. (Pav. 26)
2. Paspauskite maitinimo jungiklį ir patikrinkite, ar atleistas jis grįžta į savo pradinę padėtį. (Pav. 27)
3. Patikrinkite, ar maitinimo jungiklis ir jo fiksatorius laisvai juda, o grįžimo spyruoklė veikia tinkamai. (Pav. 28)
4. Paleiskite gaminį. Žr. *Gaminio paleidimas psl. 254*.
5. Dirbkite visu pajėgumu.
6. Atleiskite maitinimo jungiklį ir įsitinkinkite, kad pjovimo įtaisas visiškai sustoja.

Pjovimo įtaiso apsauga patikra



PERSPĖJIMAS: Nenaudokite pjovimo įtaiso be patvirtinto ir tinkamai uždėto pjovimo įtaiso apsaugo. Visuomet naudokite rekomenduojamą pjovimo įtaisui pritaikytą apsaugą, žr. *Techniniai duomenys psl. 258*. Jei sumontuota netinkama ar sugedusi pjovimo įtaiso apsauga, galima sunkiai susižeisti.

Pjovimo įtaiso apsauga sustabdo operatoriaus kryptimi išsviedžiamus objektus. Taip pat pjovimo įtaiso apsauga saugo, kad nesusižeistumėte palietę pjovimo įtaisą.

1. Išjunkite variklį.
2. Apžiūrėkite, ar apsauga nesugadinta, pavyzdžiui, neįskilusi.
3. Jeigu pjovimo įtaiso apsauga sugadinta, ją pakeiskite.

Pjovimo įranga

Pasirinkite tinkamą pjovimo įrangą ir atlikite pjovimo įrangos priežiūros darbus, kad:

- išgautumėte maksimalią pjovimo jėgą;
- pailgintumėte pjovimo įrangos eksploataavimo trukmę.



PERSPĖJIMAS: Pjovimo įrangą naudokite tik su mūsų rekomenduojama apsauga! Žr. *Patvirtinti priedai psl. 259*. Žiūrėkite pjovimo įrangos instrukcijas tam, kad galėtumėte tinkamai įdėti pjovimo lyną ir plastikinius peilius.



PERSPĖJIMAS: Pažeista pjovimo įranga padidina nelaimingų atsitikimų pavojų.



PERSPĖJIMAS: Prieš pradėdami dirbti su pjovimo įtaisu visada išjunkite maitinimą. Jis sukasi net ir atleidus maitinimo jungiklį. Prieš pradėdami dirbti prie šio įtaiso įsitinkinkite, kad pjovimo įtaisas visiškai sustojo, ir atjunkite akumuliatorių nuo įrenginio.

Pjovimo įtaisas



PERSPĖJIMAS: Siekiant išvengti pavojingos vibracijos, visuomet įsitinkinkite, kad žoliapjovės lynas standžiai ir tolygiai apvyniotas apie būgną.

(Pav. 29)

- Naudokite tik rekomenduojamus pjovimo įtaisos.

- Taip pat svarbus žoliapjovės lyno ilgis. Ilgesniam lynui sukti reikia stipresnio variklio nei to paties storio trumpesniam lynui.
- Patikrinkite, ar nepažeistas pjovimo įtaiso apsaugos peilis. Jis nujuoja reikiamo ilgio žoliapjovės lyną.
- Prieš naudodami žoliapjovės lyną, pamirkykite jį porą dienų vandenyje, kad prailgėtų jo eksploataavimo laikas.

Akumuliatorių naudojimo sauga



PERSPĖJIMAS: Prieš naudodami gaminį, perskaitykite toliau esančius įspėjimus.

- Naudokite tik BLI serijos ir 40-B serijos akumulatorius. Daugiau informacijos žr. *Techniniai duomenys psl. 258*. Akumulatorius turi koduotą programinę įrangą.
- Naudokite BLI serijos ir 40-B serijos akumulatorius, kurie yra įkraunami tik kaip „Husqvarna“ įrenginių maitinimo šaltiniai. Kad išvengtumėte sužeidimų, nenaudokite akumulatoriaus kaip kitų gaminių maitinimo šaltinio.
- Elektros smūgio pavojus. Nejunkite akumulatoriaus gnybtų prie raktų, monetų, atsuktuvų ar kitų metalinių daiktų. Galite sukelti akumulatoriaus trumpąjį jungimą.
- Nenaudokite neįkraunamų akumuliatorių.
- Nekiškite objektų į akumulatoriaus oro angas.
- Saugokite akumuliatorių nuo tiesioginių saulės spindulių, karščio ar atviros ugnies. Akumulatorius gali sukelti terminius ir (arba) cheminius nudegimus.
- Saugokite akumuliatorių nuo lietaus ir drėgmės.
- Saugokite akumuliatorių nuo mikrobangų ir aukšto slėgio.
- Nebandykite akumulatoriaus išmontuoti ar sulaužyti.
- Jei iš akumulatoriaus teka skystis, saugokite nuo jo kūną ir akis. Jei palietėte skystį, gerai nuplaukite šią vietą vandeniu su muilu ir kreipkitės pagalbos į medikus. Jei skysčio patektų į akis, jų netrinkite, tačiau mažiausiai 15 minučių skalaukite vandeniu ir kreipkitės į gydytoją.
- Akumuliatorių naudokite nuo $-10\text{ }^{\circ}\text{C}$ ($14\text{ }^{\circ}\text{F}$) iki $40\text{ }^{\circ}\text{C}$ ($114\text{ }^{\circ}\text{F}$) temperatūroje.
- Nevalykite akumulatoriaus ar įkroviklio vandeniu. Žr. *Įrenginio, akumulatoriaus ir akumuliatorių įkroviklio valymas psl. 256*.
- Nenaudokite sugadinto arba pažeisto akumulatoriaus.
- Laikykite akumulatorius atokiau nuo metalinių daiktų, pavyzdžiui, vinių, varžtų, juvelyrinių dirbinių.
- Saugokite akumuliatorių nuo vaiku.

Įkroviklio sauga



PERSPĖJIMAS: Prieš naudodami gaminį, perskaitykite toliau esančius įspėjimus.

- Nesilaikant saugos instrukcijų, kyla elektros smūgio arba trumpojo jungimo rizika.
- Naudokite tik kartu su gaminiu pateiktą akumuliatoriaus įkroviklį. QC80 ir 40-C80 įkroviklius naudokite tik įkraudami BLi serijos ir 40-B serijos pakaitinius akumuliatorius.
- Nebandykite išmontuoti akumuliatoriaus įkroviklio.
- Nenaudokite sugadinto arba pažeisto akumuliatoriaus įkroviklio.
- Neekskluziškai naudokite akumuliatoriaus įkroviklio už maitinimo laido. Norėdami atjungti akumuliatoriaus įkroviklį nuo elektros lizdo, traukite už kištuko. Netraukite už elektros laido.
- Visus kabelius ir jungiamuosius laidus laikykite toliau nuo vandens, alyvos ir aštrių briaunų. Būkite atidūs, kad kabelio neprispaustų objektai, pvz., durys, tvoros ar pan.
- Nenaudokite akumuliatoriaus įkroviklio šalia degių arba koroziją sukeliančių medžiagų. Įsitinkite, kad akumuliatoriaus įkroviklis neuždengtas. Pastebėję dūmus ar liepsną, ištraukite akumuliatoriaus įkroviklio kištuką.
- Įkraukite akumuliatorių tik gerai vėdinamoje patalpoje, saugodami nuo saulės spindulių. Nekraukite akumuliatoriaus lauke. Nekraukite akumuliatoriaus drėgnomis sąlygomis.
- Akumuliatorių įkroviklį naudokite nuo 5 °C (41 °F) iki 40 °C (104 °F) temperatūroje. Įkroviklį naudokite gerai vėdinamoje, sausoje ir nedulkėtoje aplinkoje.
- Nekiškite objektų į įkroviklio aušinimo angas.

- Neprijunkite akumuliatorių įkroviklio gnybtų prie metalinių daiktų, nes taip sukelsite akumuliatorių įkroviklio trumpąjį jungimą.
- Naudokite patvirtintus ir nepažeistus elektros tinklo lizdus. Įsitinkite, kad akumuliatoriaus įkroviklio laidas yra nepažeistas. Jei naudojami jungiamieji kabeliai, įsitinkite, kad jie nepažeisti.
- Akumuliatorių įkrovikliais nekraukite neįkraunamų akumuliatorių.

Priežiūros saugos instrukcijos



PERSPĖJIMAS: Prieš atlikdami gaminio techninę priežiūrą, perskaitykite toliau esančius įspėjimus.

- Prieš atlikdami techninę priežiūrą, kitą patikrą ar montuodami įrenginį, išimkite akumuliatorių.
- Operatorius gali atlikti tik tokius priežiūros ir techninės priežiūros darbus, kurie aprašyti šiame operatoriaus vadove. Dėl didesnių techninės priežiūros ar aptarnavimo darbų kreipkitės į techninės priežiūros atstovą.
- Nevalykite akumuliatoriaus ar įkroviklio vandeniu. Stiprus ploviklis gali sugadinti įrenginį.
- Neatliekant techninės priežiūros trumpėja įrenginio naudojimo laikas ir didėja nelaimingų atsitikimų pavojus.
- Visiems techninės priežiūros ir remonto darbams atlikti būtini specialūs mokymai, ypač atliekant su sauga susijusios įrangos priežiūrą. Jeigu atlikus techninę priežiūrą patvirtinti ne visi šiame naudotojo vadove nurodyti punktai, kreipkitės į techninės priežiūros atstovą. Garantuojame, kad jis suteiks profesionalią priežiūrą ir atliks gaminio techninės priežiūros darbus.
- Naudokite tik originalias atsargines dalis.

Surinkimas

Įvadas



PERSPĖJIMAS: Prieš surinkdami gaminį perskaitykite ir supraskite skyrių apie saugą.

Pjovimo įtaiso apsaugos montavimas

1. Atremkite pjovimo priedo apsaugą į variklio korpusą. (Pav. 30)
2. Patikrinkite tvirtinimo varžtus. (Pav. 31)
3. Priveržkite varžtą. Naudokite kombinuotąjį veržliaraktį. (Pav. 32)
4. Priveržkite varžtą.

Pjovimo priedo pakeitimas

1. Į angą įkiškite kombinuotąjį veržliaraktį, kad užfiksuotumėte veleną. (Pav. 33)
2. Pasukite pjovimo įtaisą ir atsargiai spauskite kombinuotąjį veržliaraktį, kol varomasis velenas bus užblokuotas.
3. Norėdami nuimti pjovimo priedą, sukite jį pagal laikrodžio rodyklę. Prieš montuodami pjovimo priedą įsitinkite, kad varantysis diskas yra savo vietoje. (Pav. 34)
4. Atvirkštine tvarka pritvirtinkite naują pjovimo priedą. (Pav. 35) (Pav. 36)

Pasižymėkite: Prieš montuodami pjovimo priedą įsitinkite, kad disko pavara tinkamai įdėta.

Augalų apsaugos įrengimas

1. Augalų apsaugą įkiškite į angas variklio korpuse. (Pav. 37)
2. Įsitinkinkite, kad augalų apsauga gali laisvai judėti į priekį ir atgal. (Pav. 38)

Kilpinės rankenos tvirtinimas

1. Įsukite varžtą į kilpinę rankeną. (Pav. 39)
2. Pritvirtinkite kilpinę rankeną prie įtaiso ant veleno.
3. Priveržkite varžtus.
4. Sureguliuokite tinkamą kilpinės rankenos padėtį. Žr. *Kilpinės rankenos ir teleskopinio veleno reguliavimas psl. 254.*

Akumulatoriaus įkroviklio 40-C80 tvirtinimas prie sienos



PASTABA: Montuodami akumuliatorių įkroviklį ant sienos, nenaudokite elektrinio atsuktuvo. Elektriniu atsuktuvu galima pakenkti akumuliatorių įkrovikliui.

1. Pritvirtinkite akumulatoriaus įkroviklį prie sienos 2 varžtais (A). Jei reikia, naudokite sieninius kaiščius (B). (Pav. 40)
2. Įkiškite 2 varžto angos kaiščius (C).
3. Prijunkite laidą (D) prie akumulatoriaus įkroviklio ir įjunkite jį į maitinimo tinklą.

Naudojimas

Įvadas



PERSPĖJIMAS: Prieš naudodami gaminį perskaitykite ir supraskite skyrių apie saugą.

Veiksmai prieš naudojant įrenginį

- Apžiūrėkite darbo vietą, kad žinotumėte reljefo tipą. Apžiūrėkite grunto nuolydį, pažiūrėkite, ar yra kliūčių, pvz., akmenų, šakų ir griovių.
- Atlikite bendrąją įrenginio patikrą.
- Atlikite šioje instrukcijoje aprašytas saugos patikras, priežiūros ir techninės priežiūros procedūras.
- Patikrinkite, ar variklis švarus ir jame nėra įtrūkių. Nuvalykite nuo variklio žolę ir lapus šepečiu. Jei reikia, apsimaukite pirštines.
- Patikrinkite, ar nesugadinta ir neįskilusi žoliapjovės galvutė ir pjovimo įrangos apsauga. Sugadintą arba įskilusią žoliapjovės galvutę ir pjovimo įrangos apsaugą pakeiskite.
- Patikrinkite, ar veržlės ir varžtai priveržti.
- Prieš paleisdami gaminį pasirūpinkite, kad visi dangčiai, apsaugai, rankenos ir pjovimo įtaisai būtų tinkamai pritvirtinti ir nesugadinti.

Akumuliatorius



PERSPĖJIMAS: Prieš naudodami akumuliatorių perskaitykite ir supraskite skyrių apie saugą. Perskaitykite ir supraskite akumulatoriaus bei akumulatoriaus įkroviklio naudojimo instrukcijas.

Akumuliatorių ir akumulatoriaus įkroviklį laikykite tinkamoje aplinkos temperatūroje.

	Aplinkos temperatūra
Gaminio naudojimas	-5 °C–40 °C / 23 °F–104 °F
Akumulatoriaus įkrovimas	5 °C–40 °C / 41 °F–104 °F

Akumulatoriaus būseną

Ekране rodoma akumulatoriaus įkrovos būseną ir galimos akumulatoriaus problemos.

(Pav. 41)

LED indikatorius lemputė	Akumulatoriaus būseną (įkrovos būseną)	
	BLI10, BLI20	40-B70, 40-B140
Šviečia 4 LED indikatoriai	Netaikoma	Akumuliatorius įkrautas 76–100 %.
Šviečia 3 LED indikatoriai	Akumuliatorius įkrautas 76–100 %.	Akumuliatorius įkrautas 51–75 %.
Šviečia 2 LED indikatoriai	Akumuliatorius įkrautas 51–75 %.	Akumuliatorius įkrautas 26–50 %.
Šviečia 1 LED indikatorius	Akumuliatorius įkrautas 26–50 %.	Akumuliatorius įkrautas 6–25 %.
Mirksi 1 LED indikatorius	Akumuliatorius įkrautas 0–25 %.	Akumuliatorius įkrautas 0–5 %.

Akumulatoriaus įkrovimas

Jeigu naudojate įrenginį pirmą kartą, įkraukite akumuliatorių. Naujas akumuliatorius įkrautas tik 30 %.



PASTABA: Prijunkite akumulatoriaus įkroviklį tik prie nominalių parametrų plokštelėje nurodytos įtampos ir dažnio maitinimo lizdo.

Jei akumulatoriaus temperatūra yra didesnė nei 50 °C (122 °F), jo nepavyks įkrauti.

1. Prijunkite maitinimo laidą prie akumuliatorių įkroviklio.
2. Prijunkite akumulatoriaus įkroviklį prie įžeminto maitinimo lizdo. Įkrovimo LED indikatorius mirks vieną kartą. (Pav. 42)
3. Prijunkite akumuliatorių prie įkroviklio. Įsižiebia įkrovimo šviesos diodas. Akumuliatorių kraukite daugiausia 24 valandas. (Pav. 43)
4. Paspauskite akumulatoriaus indikacinį mygtuką; jei užsidega visi LED indikatoriai, akumuliatorius visiškai įkrautas.
5. Ištraukite akumulatoriaus įkroviklį iš maitinimo lizdo. Netraukite už elektros laido.
6. Iš įkroviklio išimkite akumuliatorių.

Akumulatoriaus prijungimas prie įrenginio



PERSPĖJIMAS: Gaminiai naudokite tik originalų Husqvarna akumuliatorių.

1. Iki galo įkraukite akumuliatorių.
2. Įstatykite akumuliatorių į gaminio akumulatoriaus laikiklį. Akumuliatorius bus užfiksuotas tada, kai išgirsite spragtelėjimą. (Pav. 44)



PASTABA: Jei akumuliatorius lengvai neįsistato į akumulatoriaus laikiklį – akumuliatorius uždėtas netinkamai. Antraip galima sugadinti gaminį.

Gaminio paleidimas

1. Paspauskite ir palaikykite įjungimo mygtuką, kol įsižiebs žalias šviesos diodas. (Pav. 45)
2. Paspauskite maitinimo jungiklio fiksatorių ir maitinimo jungiklį. Pjovimo įranga pradeda sukstis.

Kilpinės rankenos ir teleskopinio veleno reguliavimas

1. Atsukite fiksavimo rankeną ir sureguliuokite tinkamą kilpinės rankenos padėtį. (Pav. 46)

2. Uždarykite fiksavimo rankeną.
3. Atsukite ant veleno esančią svirtį. (Pav. 47)
4. Ant veleno nustatykite reikiamą ilgį. Įsitinkinkite, kad ant veleno matosi trikampis. (Pav. 48)
5. Uždarykite svirtį ir priveržkite varžtą.

Pasižymėkite: Netvirtinkite kilpinės rankenos ant perspėjimo lipduko, esančių ant veleno.

„SavE“ funkcijos naudojimas

Šis gaminys turi funkciją „SavE“.

Pasižymėkite: Funkcija „SavE“ nesumažina gaminio pjovimo galios.

1. Klaviatūroje nuspauskite mygtuką „SavE“.
2. Įsitinkinkite, kad įsižiebė žalias LED indikatorius.
3. Paspauskite mygtuką „SavE“ dar kartą, kad išjungtumėte funkciją. Žalias LED indikatorius užžęsta. (Pav. 49)

Automatinio išjungimo funkcija

Šis gaminys turi išjungimo funkciją, kuri išjungia gaminį, jei jis nenaudojamas. Žalias paleidimo / stabdymo šviesos diodas užžęsta ir gaminys sustabdomas po 180 sekundžių.

Gaminio naudojimas

Žolės pjovimas

1. Pjaudami žolę stenkitės plastikinius peilius arba žoliapjovės lynelį laikyti lygiagrečiai žemei. (Pav. 50)
2. Nespauskite „Tri-Cut“ arba žoliapjovės galvutės prie žemės. Antraip galima sugadinti gaminį.

Pasižymėkite: Dėl žemos aplinkos temperatūros, kai temperatūra beveik 0 °C, peilis arba žoliapjovės lynelis gali sulūžti.

3. Pjaudami žolę judinkite įrenginį iš vienos pusės į kitą. (Pav. 51)

Pasižymėkite: Nenaudokite gaminio su pažeistu pjovimo priedu. Pažeistas pjovimo priedas gali pažeisti pusiausvyrą ir taip apgadinti gaminį.

Žolės šlavimas

Besisukančių plastikinių diskų arba žoliapjovės lynelio sukuriama oro srautu galima iš teritorijos pašalinti nupjautą žolę.

1. Laikykite žoliapjovės galvutę, plastikinius diskus ir pjovimo lynelį lygiagrečius žemės paviršiui ir aukščiau jo.
2. Įjunkite didžiausiu greičiu.

3. Judinkite pjovimo priedą iš vienos pusės į kitą ir taip šluokite žolę.



PERSPĖJIMAS: Kaskart dėdami naujus plastikinius peilius arba žoliapjovės lynelį nuvalykite pjovimo priedo dangtį, kad jis neišsibalansuotų ir nevibruotų rankenos. Be to, patikrinkite ir prireikus valykite kitas pjovimo priedo dalis.

Jei norite pjauti arti objektų

1. Patraukite augalų apsaugą žemyn. (Pav. 52)
2. Naudokite augalų apsaugą, kad neapgadintumėte kitų objektų. (Pav. 53)

Gaminio sustabdymas

1. Atleiskite maitinimo jungiklį ir maitinimo jungiklio fiksatorių.
2. Paspauskite ir laikykite paleidimo / stabdymo mygtuką, kol užges žalias šviesos diodas.
3. Išimkite akumuliatorių iš gaminio paspausdami ant jo esančius atlaisvinimo mygtukus. (Pav. 54)

Plastikinių peilių arba žoliapjovių lynelio keitimas

Žr. paskutinius šios naudojimo instrukcijos puslapius.

Techninė priežiūra

Įvadas



PERSPĖJIMAS: Prieš prižiūradami produktą, perskaitykite ir supraskite saugos skyrių.

Toliau pateiktas būtinų gaminio priežiūros darbų sąrašas. Daugiau informacijos žr. *Gaminio apžvalga psl. 245*.

Techninės priežiūros grafikas



PERSPĖJIMAS: Prieš atlikdami priežiūros darbus išimkite akumuliatorių.

Techninė priežiūra	Kasdien	Kas savaitę	Kas mėnesį
Nuvalykite išorines gaminio dalis sausa šluoste. Nenaudokite vandens.	X		
Įsitikinkite, kad tinkamai veikia ir nepažeistas įjungimo ir išjungimo mygtukas.	X		
Patikrinkite, ar maitinimo jungiklis ir jo užraktai funkcija veikia saugiai.	X		
Pasirūpinkite, kad rankenos būtų sausas ir švarios.	X		
Įsitikinkite, kad pjovimo įtaiso apsaugas nepažeistas. Jeigu pjovimo įtaiso apsauga sugadinta, ją pakeiskite.	X		
Įsitikinkite, kad rankena arba valdymo rankena nėra pažeistos ir yra tinkamai pritvirtintos.	X		
Patikrinkite teleskopinio veleno fiksavimo mechanizmą. Žr. <i>Teleskopinio veleno fiksavimo kaiščių patikrinimas psl. 256</i> .	X		
Patikrinkite akumuliatoriaus įkroviklį ir įsitikinkite, kad jis tinkamai veikia ir nėra sugadintas.	X		
Įsitikinkite, kad akumuliatorius nepažeistas.	X		
Patikrinkite, ar akumuliatorius įkrautas.	X		
Įsitikinkite, kad akumuliatoriaus įkroviklis nepažeistas.	X		
Patikrinkite, ar gerai priveržtos išorinės veržlės ir varžtai.		X	

Techninė priežiūra	Kasdien	Kas savaitę	Kas mėnesį
Įsitikinkite, kad tinkamai veikia akumuliatoriaus atlaisvinimo mygtukai, ir užfiksuokite akumuliatorių gaminyje.		X	
Patikrinkite, ar žoliapjovės galvutės ritėje yra tepalo.		X	
Nuvalykite ir patikrinkite jungtis tarp akumuliatoriaus ir gaminio.			X
Nuvalykite ir patikrinkite jungtį tarp akumuliatoriaus ir akumuliatoriaus įkroviklio.			X

Akumuliatoriaus ir akumuliatoriaus įkroviklio patikra

1. Patikrinkite, ar nepažeistas akumuliatorius, pvz., nėra įtrūkimų.
2. Patikrinkite, ar nepažeistas akumuliatorių įkroviklis, pvz., nėra įtrūkimų.
3. Įsitikinkite, kad akumuliatoriaus įkroviklio prijungimo laidas nepažeistas ir be įtrūkimų.

Įrenginio, akumuliatoriaus ir akumuliatorių įkroviklio valymas

1. Baigę darbą nuvalykite įrenginį sausa šluoste.
2. Nuvalykite akumuliatorių ir akumuliatorių įkroviklį sausa šluoste. Akumuliatoriaus uždėjimo takeliai turi būti švarūs.
3. Prieš įstatydami akumuliatorių į akumuliatorių įkroviklį ar įrenginį, įsitikinkite, kad akumuliatoriaus kontaktai ir akumuliatorių įkroviklio kontaktai yra švarūs.

Norėdami patikrinti ir pakeisti „Tri-cut“

1. Apžiūrėkite, ar „Tri-Cut“ nėra sugadinta ir įskilusi.
2. Nuimkite „Tri-cut“. *Žr. paskutiniame naudojimo instrukcijos puslapyje esantį skyrių „Tri-Cut“ nuėmimas“.*
3. Surinkite „Tri-cut“. *Žr. Pjovimo priedo pakeitimas psl. 252.*

Teleskopinio veleno fiksavimo kaiščių patikrinimas

1. Patikrinkite teleskopinio veleno fiksavimo mechanizmą.
2. Sureguliuokite užveržimo jėgą. (Pav. 55)

Gedimai ir jų šalinimas

Valdymo skydelis

Šviesos diodų ekranas	Galimi gedimai	Galimi sprendimai
Mirksi klaidos šviesos diodas.	Perkrova	Pjovimo įtaisas negali laisvai judėti. Nuimkite pjovimo įtaisą.
	Temperatūros svyravimai	Leiskite įrenginiui atvėsti.
Nepavyksta paleisti gaminio.	Vienu metu paspauskite maitinimo jungiklį ir užvedimo mygtuką.	Atleiskite maitinimo jungiklį ir sustabdykite gaminį.
Klaidos šviesos diodas įsižiebia raudona spalva.	Būtina atlikti gaminio priežiūros darbus	Kreipkitės į techninio aptarnavimo atstovą.

Akumuliatorius

LED ekranas	Galimi gedimai	Galimi veiksmai
Mirksi žalias šviesos diodas.	Nepakankama baterijos įtampa.	Įkraukite akumuliatorių.

LED ekranas	Galimi gedimai	Galimi veiksmai
Mirksi klaidos šviesos diodas.	Temperatūros svyravimai.	Akumuliatorių naudokite nuo -10°C (14°F) iki 40°C (104°F) temperatūroje.
	Per didelė įtampa.	Įsitinkinkite, kad elektros tinklo įtampa atitinka tą, kuri yra nurodyta ant gaminio nominalių parametrų plokštelės. Iš įkroviklio išimkite akumuliatorių.
Šviečia klaidos šviesos diodas.	Pernelyg didelis blokų skirtumas (1V).	Kreipkitės į techninio aptarnavimo atstovą.

Akumulatoriaus įkroviklis

Problema	Galimi gedimai	Galimas sprendimas
Įkrovimo šviesos diodas yra raudonos spalvos.	Nepataisoma akumulatoriaus įkroviklio klaida.	Susisiekiite su savo prekybos atstovu.
Įkrovimo šviesos diodas mirksi žaliai.	Temperatūros svyravimai, akumulatorius yra per šaltas arba per karštas.	Leiskite akumulatoriui atvėsti arba įšilti. Kai akumulatorius yra tinkamos temperatūros, jį galima vėl naudoti arba įkrauti. Akumulatoriaus įkroviklį naudokite, kai aplinkos temperatūra yra nuo 5 °C (41 °F) iki 40 °C (104 °F).
Įkrovimo šviesos diodas mirksi raudonai.	Akumulatoriaus gedimas.	Susisiekiite su savo prekybos atstovu.

Transportavimas, saugojimas ir utilizavimas

Gabenimas ir laikymas

- Pateikiamam ličio jonų akumulatoriui taikomos pavojingų krovinių gabenimo taisyklės.
- Laikykitės specialių komercinių krovinių gabenimui, įskaitant trečiųjų šalių ar tarpininko transporto priemonėmis, taikomų reikalavimų dėl pakavimo ir ženklavimo.
- Pasitarkite su pavojingų medžiagų gabenimo specialistu prieš siųsdami įrenginį. Laikykitės visų taikomų nacionalinių reikalavimų.
- Pakuodami akumuliatorių uždėkite juostą ant atvirų kontaktų. Tvirtai supakuokite akumuliatorių, kad jis nejudėtų.
- Sandėliavimo ar transportavimo metu atjunkite akumuliatorių.
- Akumuliatorių ir akumuliatorių įkroviklį laikykite sausoje, drėgnoje ir teigiamos temperatūros vietoje.
- Nelaikykite akumulatoriaus tokioje vietoje, kur gali susidaryti statiniai krūviai. Nelaikykite akumulatoriaus metalinėje dėžutėje.
- Laikykite akumuliatorių vietoje, kurios temperatūra nuo 5 °C / 41 °F iki 25 °C / 77 °F, saugokite nuo tiesioginių saulės spindulių.
- Laikykite akumuliatorių įkroviklį vietoje, kurios temperatūra nuo 5 °C / 41 °F iki 45 °C / 113 °F, saugokite nuo tiesioginių saulės spindulių.
- Akumulatoriaus įkroviklį naudokite, tik kai aplinkos temperatūra yra 5–40 °C / 41–104 °F.
- Prieš saugodami ilgesnį laiką pasirūpinkite, kad akumuliatorius būtų įkrautas 30–50 %.
- Akumuliatorių įkroviklį laikykite uždaroje ir sausoje patalpoje.
- Saugodami išimkite akumuliatorių iš akumulatoriaus įkroviklio. Neleiskite vaikams ar kitiems nepatvirtintiems asmenims liesti įrenginio. Įrenginį laikykite užrakintoje vietoje.
- Prieš saugodami gaminį ilgesnį laiką, išvalykite jį ir atlikite visus techninės priežiūros darbus.
- Transportuodami ar sandėliuodami įrenginį naudokite įrenginio transportavimo apsaugą, kad išvengtumėte sužalojimų ar produkto sugadinimo.

- Gabendami saugiai pritvirtinkite įrenginį.

Akumulatoriaus, akumuliatorių įkroviklio ir įrenginio šalinimas

Ant gaminio ar ant jo pakuotės pateikti simboliai rodo, kad šio gaminio negalima išmesti kartu su buitinėmis

atliekomis. Nuvežkite jį į elektros ir elektronikos įrenginių perdirbimo punktą. Taip saugosite nuo taršos aplinką ir žmones.

Jeigu reikia papildomos informacijos, kaip perdirbti jūsų gaminį, kreipkitės į vietines institucijas, buitinių atliekų surinkimo tarnybą arba pardavimo atstovą.

Techniniai duomenys

Techniniai duomenys

	215IL-TC
Variklis	
Variklio tipas	BLDC
Galios atidavimo veleno greitis, aps./min	6800
Pjovimo plotis, mm	255
Svoris	
Svoris be akumulatoriaus, kg	2,9
Skleidžiamas triukšmas ⁴³	
Garso galios lygis, išmatuotas dB (A)	90,8
Garso galios lygis, garantuojamas L _{WA} dB (A)	93
Triukšmo lygiai ⁴⁴	
Ekvivalentinis garso slėgio lygis naudotojo ausyse, išmatuotas pagal EN IEC 62841-4-4, dB (A)	81,3
Vibracijos lygis ⁴⁵	
Vibracijos lygis rankenose, išmatuotas pagal IEC 62841-4-4, m/s ²	3,0 / 2,7
Sumontuota pjovimo galvutė (originalas), priekis / galas.	

Gaminiui patvirtinti akumulatoriai

Akumulatorius	BLI10	BLI20	40-B70	40-B140
Tipas	Ličio jonų	Ličio jonų	Ličio jonų	Ličio jonų

⁴³ Triukšmas, skleidžiamas į aplinką, išmatuotas kaip garso galia (L_{WA}) pagal EB direktyvą 2000/14/EB. Skirtumas tarp garantuojamo ir matuojamo garso stiprumo yra tas, kad pagal Direktyvą 2000/14/EB garantuojamasis garso stiprumas apima ir matavimo rezultatų sklaidą bei nukrypimus tarp skirtingų to pačio modelio įrenginių.

⁴⁴ Pateiktuose duomenyse apie ekvivalentinį gaminio garso slėgio lygį yra 3 dB (A) tipiška statistinė sklaida (standartinis nuokrypis).

⁴⁵ Pateiktuose vibracijos lygio duomenyse yra 1,5 m/s² tipiška statistinė sklaida (standartinis nuokrypis).

Akumuliatorius	BLi10		BLi20		40-B70	40-B140
Akumuliatoriaus talpa, Ah	Žr. akumuliatoriaus nominaliųjų paramet-rų lipduką		Žr. akumuliatoriaus nominaliųjų paramet-rų lipduką		Žr. akumuliatoriaus nominaliųjų paramet-rų lipduką	Žr. akumuliatoriaus nominaliųjų paramet-rų lipduką
Nominali įtampa, V	36	36,5	36	36,5	36	36
Svoris, svar. / kg	0,7	0,7	1,2	1,2	0,8	1,25

Gaminiui patvirtinti akumuliatorių įkrovikliai

Akumuliatoriaus įkroviklis	QC80	40-C80
Maitinimo įtampa, V	100–240	100–240
Dažnis, Hz	50–60	50–60
Galia, W	100	72
Išėjimo įtampa, V nuol. srovė / Amperai, A	36 / 2	43 / 1,6

Priedai

Patvirtinti priedai

Patvirtinti priedai	Tipas	Pjovimo įrangos apsauginis elementas, gam. Nr.
Žoliapjovės galvutė	R25B (Ø 2 mm lynelis)	529 96 69-01
Žoliapjovės galvutė	„Tri-cut“ B (255 mm)	529 96 69-01

Atitikties deklaracija

ES atitikties deklaracija

Mes, **Husqvarna AB**, SE-561 82 Huskvarna, Švedija, tel. +46-36-146500, atsakingai patvirtiname, kad gaminy:

Aprašymas	Akumuliatorinė žoliapjovė
Gamintojas	Husqvarna
Tipas / modelis	215iL-TC
Identifikacijos numeris	Serijos numeriai nuo šios datos: 2025 ir vėlesnis

visiškai atitinka šias ES direktyvas ir reglamentus:

Direktyva / reglamentas	Aprašymas
2006/42/EB	„dėl mašinų“
2014/30/ES	„dėl elektromagnetinio suderinamumo“
2000/14/EB	„dėl į aplinką skleidžiamo triukšmo“
2011/65/ES	„dėl tam tikrų pavojingų medžiagų naudojimo elektros ir elektroninėje įrangoje apribojimo“

ir kad laikomasi šių standartų ir (arba) techninių specifikacijų: EN 62841-1:2015+A11:2022, IEC 62841-4-4:2020, EN ISO 12100:2010, EN IEC 63000:2018, EN IEC 55014-1:2021; EN IEC 55014-2:2021.

Notifikuotoji įstaiga: 0036 TÜV SÜD Industrie Service GmbH, Westendstraße 199, 80686 München, Germany patvirtino atitiktį Tarybos direktyvai 2000/14/EB; atitikties įvertinimo procedūra: VI priedas.

Daugiau informacijos apie triukšmo emisiją žr. *Techniniai duomenys psl. 258.*

Huskvarna, 2025-01-10



Claes Losdal, Mokslinių tyrimų ir plėtros skyriaus vadovas, „Husqvarna AB“

Atsakingas už techninę dokumentaciją



Saturs

Ievads.....	261	Pārvadāšana, glabāšana un utilizēšana.....	273
Drošība.....	262	Tehniskie dati.....	274
Montāža.....	268	Piederumi.....	275
Lietošana.....	269	Atbilstības deklarācija.....	276
Apkope.....	271	Pielikums	478
Problēmu novēršana.....	272		

Ievads

Izstrādājuma apraksts

Husqvarna 215iL-TC ir akumulatora zāles trimmeris ar elektromotoru.

Mēs nepārtraukti strādājam, lai uzlabotu jūsu drošību un efektivitāti, darbojoties ar šo ierīci. Lai iegūtu plašāku informāciju, sazinieties ar izplatītāju.

Paredzētā lietošana

Izstrādājumu izmanto ar nemetāliskiem plastmasas asmeņiem. Nelietojiet zāles trimmeri citiem

uzdevumiem, kā vien nezāļu, zāles vai tamlīdzīgas mīkstās veģetācijas pļaušanai.

Piezīme: Zāles trimmera lietošanu var ierobežot valsts normatīvie akti.

Izmantojiet zāles trimmeri tikai ar ražotāja apstiprinātiem piederumiem. Skatiet šeit: *Piederumi lpp. 275*.

Sniega pūtēja pārskats

(Att. 1)

1. Trimmera spole Tri-Cut
2. Griešanas ierīces aizsargs
3. Kāts
4. Kāta regulēšana (teleskopiska)
5. Cilpas formas rokturis
6. Tastatūra
7. Tastatūras brīdinājuma indikators
8. Ieslēgšanas/apturēšanas poga
9. Poga SavE
10. Piedziņas mēlīte
11. Piedziņas mēlītes bloķētājs
12. Darbības un brīdinājuma indikators
13. Savienotājs
14. Akumulatora lādētājs 40-C80
15. Augu aizsargs
16. Akumulatora brīdinājuma indikators
17. Akumulatora uzlādes stāvoklis
18. Akumulatora indikatora poga
19. Akumulatora atvienošanas pogas
20. Akumulators
21. Kombinētais darbarīks
22. Piedziņas disks
23. Lietotāja rokasgrāmata

traumas operatoram vai citām personām. Esiet uzmanīgi un lietojiet zāles trimmeri pareizi.

(Att. 3)

Rūpīgi izlasiet lietotāja rokasgrāmatu un pirms braucamā zāles pļāvēja lietošanas pārlicinieties, ka izprotat norādījumus.

(Att. 4)

Uzvelciet acu un ausu aizsarglīdzekļus.

(Att. 5)

Nepakļaujiet kāta zāģi lietus iedarbībai.

(Att. 6)

Uzlīme par trokšņa emisijām vidē atbilstoši ES (tostarp Jaundienvidevīšanas tiesību aktiem) un Apvienotās Karalistes direktīvām un noteikumiem. Trokšņa emisijas dati ir atrodami iekārtas uzlīmē un nodaļā Tehniskie dati. Spēkā tikai, ja izstrādājums ir aprīkots ar trimmera auklu.

(Att. 7)

Uzmanieties no priekšmetiem, kas tiek izsviesti.

(Att. 8)

Pirms tehniskās apkopes atvienojiet akumulatoru.

(Att. 9)

Motorzāģis un tā iepakojums nav sadzīves atkritumi. Utilizējiet tās elektrisko un elektronisko ierīču pārstrādes uzņēmumā.

Simboli uz zāles trimmera

(Att. 2) **BRĪDINĀJUMS.** Šis motorzāģis var būt bīstams un radīt smagas vai nāvējošas

(Att. 10) Šis izstrādājums atbilst spēkā esošo ES direktīvu prasībām.

(Att. 12) Līdzstrāva.

(Att. 11) Šis izstrādājums atbilst spēkā esošajiem AK noteikumiem.

(Att. 16) Attālumam no iekārtas līdz apkārtējiem cilvēkiem jābūt vismaz 15 m (50 pēdas).

(Att. 17) Neizmantojiet metāla asmeņus.

yyyywwxxxx

Datu plāksnītē vai lāzera izdrukā ir norādīts sērijas numurs. **yyyy** ir ražošanas gads, un **ww** ir ražošanas nedēļa.

Simboli uz akumulatora un/vai akumulatora lādētāja

(Att. 18) Utilizējiet šo izstrādājumu elektrisko un elektronisko ierīču pārstrādes uzņēmumā. (Attiecās vienīgi uz Eiropu)

(Att. 13) Beztaites transformators.

(Att. 14) Lietojiet un uzglabāiet akumulatoru lādētāju tikai iekšējās telpās.

(Att. 15) Dubultā izolācija.

Produkta bojājumi

Mēs neatbildam par mūsu produkta bojājumiem, ja:

- ir veikts nepareizs produkta remonts;
- produkta remonts ir veikts, izmantojot detaļas, ko nav nodrošinājis vai apstiprinājis ražotājs;
- produktam tiek pievienots piederums, ko nav nodrošinājis vai apstiprinājis ražotājs;
- produkta remonts nav veikts pilnvarotā remontdarbnīcā vai pie pilnvarota speciālista.

Drošība

Drošības definīcijas

Brīdinājumi, norādes "Uzmanību!" un piezīmes tiek izmantotas, lai izceltu īpaši svarīgas lietotāja rokasgrāmatas daļas.



BRĪDINĀJUMS: Tiek izmantota tad, ja rokasgrāmatā sniegto instrukciju neievērošanas dēļ operatoram vai blakus esošajām personām draud traumu vai nāves risks.



IEVĒROJIET: Tiek izmantota tad, ja rokasgrāmatā sniegto instrukciju neievērošanas dēļ rodas izstrādājuma, citu materiālu vai blakus esošās teritorijas bojājuma risks.

Piezīme: Tiek izmantota, lai sniegtu plašāku informāciju, kas nepieciešama attiecīgajā situācijā.

Vispārīgie drošības norādījumi elektroinstrumentiem



BRĪDINĀJUMS: Izlasiet visus drošības brīdinājumus, norādījumus,

apskatiet ilustrācijas un tehniskos datus, kas iekļauti šī trimera komplektā. Turpmāk norādīto brīdinājumu un norādījumu neievērošana var radīt strāvas triecienu, aizdegšanos un/vai smagas traumas.

Saglabājiet visus brīdinājumus un norādījumus turpmākām uzziņām.

Piezīme: *Brīdinājumos izmantotais termins "mašīna" attiecas uz elektroierīci ar elektrotīkla barošanu (ar kabeli) vai uz izstrādājumu ar akumulatoru (bez barošanas kabēļa).*

Darba zonas drošība

- **Darba zonai jābūt tīrai un labi apgaismotai.** Nekārtīgas un neapgaismotas darba vietas var izraisīt negadījumus.
- **Nelietojiet ierīces sprādzienbīstamā vidē, piemēram, ugunsnedrošu šķidrums, gāzu vai putekļu tuvumā.** Ierīces rada dzirksteles, kas var aizdedzināt putekļus vai tvaikus.
- **Ierīces lietošanas laikā neļaujiet tuvumā atrasties bērniem un citām personām.** Uzmanības novēršanas dēļ varat zaudēt vadību.

Elektrodrošība

- **Mašīnas kontaktspraudņiem jāatbilst kontaktligzdām. Nekādā gadījumā nepārveidojiet kontaktspraudnīl lezemētām mašīnām nedrīkst izmantot nekādus pārejas spraudņus.** Oriģināli kontaktspraudņi un atbilstošas kontaktligzdas samazina elektriskās strāvas triecienu risku.
- **Nepieļaujiet ķermeņa saskari ar zemētām virsmām, piemēram, caurulēm, radiatoriem, plīti un ledusskapjiem.** Ja ir izveidojies ķermeņa zemējums, pastāv paaugstināts elektriskās strāvas trieciena risks.
- **Nepakļaujiet mašīnas lietus vai mitruma iedarbībai.** Ūdens, kas iekļuvis mašīnā, palielina elektriskās strāvas trieciena risku.
- **Lietojot kabeli, ievērojiet piesardzību. Nekad neizmantojiet barošanas kabeli mašīnas pārnēsāšanai, vilkšanai vai atvienošanai no kontaktligzdas. Sargiet kabeli no karstuma, eļļas, asām malām un kustīgām detaļām.** Bojāti vai savijušies kabeli paaugstina elektriskās strāvas trieciena risku.
- **Lietojot mašīnu ārpus telpām, izmantojiet piemērotu ārpustelpu pagarinātāju.** Lietošanai ārpus telpām piemērota pagarinātāja lietošana samazina elektriskās strāvas trieciena risku.
- **Ja mašīna jālieto mitrumā, izmantojiet paliekošās strāvas ierīci (Residual Current Device, RCD).** Izmantojot RCD, tiek samazināts elektriskās strāvas trieciena risks.

Individuālā aizsardzība

- **Lietojot ierīci, ievērojiet piesardzību, pārdomājiet savas darbības un rīkojieties saprātīgi. Nelietojiet ierīci, kad esat noguris, narkotiku, alkohola vai zāļu iespaidā.** Pat neliela neuzmanība, izmantojot ierīci, var radīt smagu traumu.
- **Lietojiet individuālos aizsarglīdzekļus. Vienmēr lietojiet acu aizsargus.** Individuālo aizsardzības līdzekļu, piemēram, putekļu maskas, aizsargapavu ar neslīdošām zolēm, ķiveres vai dzirdes aizsarglīdzekļu, lietošana attiecīgos apstākļos samazina traumu gūšanas risku.
- **Nepieļaujiet nejaušu ieslēgšanu. Pirms pievienojat kāta zāģi barošanas avotam un/vai ievietojat akumulatoru, paceļot vai pārnēsājot ierīci, pārļiecinieties, ka tā ir izslēgta.** Ierīču pārnēsāšana, turot pirkstu uz slēdža, vai mašīnu pieslēgšana barošanai, ja ir ieslēgts slēdzis, var izraisīt negadījumus.
- **Pirms ierīces ieslēgšanas noņemiet visas regulēšanas atslēgas vai uzgriežņu atslēgas.** Uz ierīces rotējošajās daļas atstāta uzgriežņu atslēga vai atslēga var radīt traumu.
- **Nesniedzieties pārāk tālu. Vienmēr stāviet stabilī un saglabājiet līdzsvaru.** Tādējādi var labāk vadīt ierīci negaidītās situācijās.
- **Attiecīgi apģērbieties. Nevalkājiet vaļīgu apģērbu vai rotaslietas. Nepieļaujiet matu un apģērba saskari**

ar kustīgajām daļām. Vaļīgas drēbes, rotaslietas vai gari mati var iekļerties kustīgajās detaļās.

- **Ja komplektācijā ir iekļautas pievienojamas putekļu iesūces ierīces un savākšanas tvertnes, pārbaudiet, vai tās ir pieslēgtas un tiek izmantotas pareizi.** Putekļu savākšanas līdzekļu izmantošana var samazināt putekļu radītos draudus.
- **Vienmēr ievērojiet ierīces drošas izmantošanas principus un neignorējiet tos pat, ja bieži izmantojat ierīci un esat labi apguvuši tās lietošanu.** Neuzmanīga rīcība vienā acumirklī var radīt smagas traumas.

Kāta zāģa lietošana un kopšana

- **Nepieleciet kāta zāģim spēku. Izmantojiet konkrētajam darbam piemērotu kāta zāģi.** Ar piemērotu kāta zāģi varēsiet labāk un drošāk strādāt norādītajā veiktspējas diapazonā.
- **Nelietojiet kāta zāģi, ja, nospiežot slēdzi, tas neieslēdzas vai neizslēdzas.** Ierīce, kuru nevar vadīt, izmantojot slēdzi, rada apdraudējumu un tā jāremontē.
- **Pirms jebkādu regulēšanas darbu veikšanas, piederumu maiņas vai ierīces novietošanas uzglabāšanai atvienojiet kontaktspraudnī no barošanas avota un/vai izņemiet akumulatoru.** Šie pasākumi palīdz novērst kāta zāģa nejaušu ieslēgšanu.
- **Ja kāta zāģi neizmantojat, novietojiet to bērniem nepieejamā vietā un neļaujiet to lietot tiem, kas nepārzina kāta zāģa lietošanu vai šeit sniegtos norādījumus.** Kāta zāģis kļūst par apdraudējumu, ja to izmanto neapmācīti lietotāji.
- **Veiciet kāta zāģa un piederumu tehnisko apkopi.** Pārbaudiet kustīgo detaļu salāgojumu un ķeršanos, bojājumus un jebkādu citu stāvokli, kas var ietekmēt kāta zāģa darbību. Ja kāta zāģis ir bojāts, pirms lietošanas saremontējiet to. Daudzu nelaimes gadījumu iemesls ir slikti uzturētas ierīces.
- **Griežējinstrumenti jāuztur asi un tīri.** Pareizi uzturētas griešanas ierīces ar asiem asmeņiem retāk saliecas, un tās ir vieglāk vadīt.
- **Lietojiet kāta zāģi, piederumus un asmeņus u.c. detaļas atbilstoši šeit sniegtajiem norādījumiem, ņemot vērā darba apstākļus un veicamos uzdevumus.** Kāta zāģa lietošana mērķiem, kuriem tas nav paredzēta, var radīt bīstamas situācijas.
- **Rokturim un turēšanas virsmām ir jābūt sausām, tīrām un uz tām nedrīkst būt eļļas un smērvielas.** Slideni rokturi un turēšanas virsmas traucē drošu kāta zāģa lietošanu un vadību negaidītās situācijās.

Akumulatora apgaismojuma sistēmas lietošana un apkope

- **Uzlādei izmantojiet tikai ražotāja norādīto lādētāju.** Lādētājs, kas ir piemērots viena tipa akumulatora blokam, var kļūt ugunsbīstams, lietojot to cita veida akumulatora blokam.

- **Izmantojiet dzīvzoga šķērēs tikai paredzētos akumulatorus.** Jebkura cita akumulatora bloka lietošana var radīt traumas un aizdegšanās risku.
- **Kad akumulatora bloks netiek izmantots, turiet to drošā attālumā no metāla priekšmetiem, piemēram, papīra saspaudēm, monētām, atslēgām, naglām, skrūvēm un citiem nelieliem metāla priekšmetiem, kas var savienot spalles.** Akumulatora spailu savienošana var radīt apdegumus vai aizdegšanos.
- **Nepareizi lietojot, no akumulatora var iztecēt šķidrums; izvairieties no saskares ar to. Ja nejauši notiek saskare, noskalojiet skarto vietu ar lielu daudzumu ūdens. Ja šķidrums iekļūst acīs, vērsieties pēc medicīniskās palīdzības.** No akumulatora iztecejis šķidrums var radīt kairinājumu vai apdegumus.
- **Nelietojiet bojātu vai pārveidotu akumulatoru vai apgaismojuma sistēmu.** Bojāts vai pārveidots akumulators var darboties neparedzami, izraisot aizdegšanos, sprādzienu vai traumu gūšanas risku.
- **Nepakļaujiet akumulatoru vai dzīvzoga šķērēs uguns vai augstas temperatūras ietekmei.** Ja pakļausiet dzīvzoga šķērēs uguns vai tādas temperatūras iedarbībai, kas pārsniedz 130 °C (265 °F), var notikt sprādziens.
- **Ievērojiet visus norādījumus par akumulatora uzlādi un nekādā gadījumā neuzlādējiet akumulatoru vai apgaismojuma sistēmu ārpus lietošanas rokasgrāmatā norādītā temperatūras diapazona.** Nepareiza uzlāde vai uzlāde temperatūrā, kas ir ārpus norādītā diapazona, var bojāt akumulatoru un palielināt aizdegšanās risku.

Apkope

- **Uzticiet mašīnas apkopi tikai kvalificētam remontdarbu speciālistam, kas izmanto oriģinālas rezerves daļas.** Tādējādi tiks garantēta mašīnas droša izmantošana.
- **Nekad neveiciet bojātu akumulatoru apkopi.** Akumulatoru apkopi drīkst veikt tikai ražotājs vai pilnvarota apkopes pakalpojumu nodrošinātājs.

Drošības brīdinājumi par zāles trimmera lietošanu

- **Nelietojiet ierīci sliktos laikapstākļos, īpaši tad, ja ir iespējams pērķona negaiss.** Tas palielina risku, ka jums varētu iespert zibens.
- **Rūpīgi pārbaudiet, vai teritorijā, kurā izmantosit ierīci, nav savvaļas dzīvnieku.** Ierīces darbības laikā var tikt traumēti savvaļas dzīvnieki.
- **Rūpīgi pārbaudiet zonu, kurā lielosit ierīci, un noņemiet akmeņus, vadus, kaulus un citus svešķermeņus.** Izsviesti priekšmeti var radīt smagu traumu.
- **Pirms ierīces lietošanas vienmēr vizuāli pārbaudiet, vai grieznis un asmens, kā arī griežņa un asmens mezgls nav bojāts.** Bojātas detaļas palielina traumu risku.
- **Ievērojiet piederumu maiņas norādījumus.** Nepareizi pievilkti asmens stiprinājuma uzgriežņi vai skrūves, var vai nu sabojāt asmeni, vai izraisīt tā atdalīšanos.
- **Izmantojiet acu, ausu, galvas un roku aizsarglīdzekļus.** Atbilstošs aizsargaprīkojums samazina traumu risku, ko rada lidojoši gruži vai nejauša saskare ar griežņiem vai auklu.
- **Izmantojot ierīci, vienmēr uzvelciet neslidošus aizsargapavus.** Nelietojiet ierīci, ja kājas ir basas vai valkājat valjējas sandales. Tādējādi tiek samazināta iespēja gūt traumu, kājām saskaroties ar kustīgiem griežņiem vai auklām.
- **Lietojot ierīci, vienmēr valkājiet garās bikses.** Nenosegta āda palielina izsviestu priekšmetu radītas traumas gūšanas iespēju.
- **Ierīces darbības laikā nodrošiniet, ka garāmgājēji ir drošā attālumā.** Izsviesti gruži var radīt smagas traumas.
- **Vienmēr darbiniet ierīci ar abām rokām.** Turiet ierīci ar abām rokām, lai nezaudētu tās vadāmību.
- **Turiet ierīci tikai aiz izolētajām satveršanas virsmām, jo pļaušanas aukla vai asmens var saskarties ar pasliktiem vadiem.** Pļaušanas aukla vai asmens, saskaroties ar zem sprieguma esošu vadu, var pārvadīt spriegumu uz ierīces neizolētajām metāla daļām, saskarē ar kurām var rasties elektrotrauma.
- **Vienmēr stāviet stabili un darbiniet ierīci tikai tad, ja atrodaties uz nekustīgas, drošas un līdzenas virsmas.** Uz slidenas vai nestabilas virsmas var zaudēt līdzsvaru vai ierīces vadību.
- **Nelietojiet ierīci ļoti stiprās vietās.** Šādi samazināsīt līdzsvara zuduma iespējamību, paslīdēšanas un nokrišanas risku, kas var radīt traumas.
- **Strādājot nogāzēs, vienmēr pārliecinieties par kāju novietojumu, vienmēr strādājiet šķērsām nogāzē, nekad augšup vai lejup un ievērojiet īpašu piesardzību, mainot virzienu.** Šādi samazināsīt līdzsvara zuduma iespējamību, paslīdēšanas un nokrišanas risku, kas var radīt traumas.
- **Lietojot ierīci, netuviniet ķermeņa daļas griezņim, auklai vai asmenim.** Pirms sākat lietot ierīci, pārbaudiet, vai grieznis, aukla vai asmens ne ar ko nesaskaras. Pat brīdis neuzmanības, izmantojot ierīci, var radīt smagu traumu jums un citiem.
- **Nelietojiet ierīci augstāk par vidukli.** Tas palīdzēs izvairīties no nejaušas griežņa vai asmens saskares ar citiem priekšmetiem, un efektīvāk vadīt ierīci neparedzētās situācijās.
- **Pļaujot krūmus vai jaunus kociņus, esiet uzmanīgi, jo tie var atlēkt.** Kad koka šķiedru spriegojums mazinās, krūms vai jaunais kociņš var atstties pret operatoru, kurš savukārt var zaudēt vadību pār ierīci.
- **Esiet īpaši piesardzīgi, zāgējot krūmus un jaunus kociņus.** Tievākie zaļi var iekerties asmeni un atlēkt atpakaļ jūsu virzienā, vai likt jums zaudēt līdzsvaru.
- **Nezaudējiet ierīces vadību un nepieskarities griežņiem, auklām vai asmeņiem un citām bīstamām kustīgām daļām, kamēr tās kustas.** Šādi samazināsīt kustīgu detaļu radītu traumu risku.

- **Pārvietojiet ierīci izslēgtu un turiet to tālāk no ķermeņa.** Pareiza ierīces lietošana var samazināt nejausū saskari ar kustīgu griezni, auklu vai asmeni.
- **Izmantojiet tikai ražotāja norādītos rezerves griežņus, auklas, griešanas galvas un asmeņus.** Nepareizas rezerves daļas var radīt salūšanas un traumu risku.
- **Pirms izņemt iestrēgušu materiālu vai apkopt ierīci, pārlecinieties, ka slēdzis ir izslēgts un akumulators ir izņemts.** Ja ierīce sāk negaidīti darboties, kad izņemat iestrēgušu materiālu vai veicat apkopi, var tikt gūta smaga trauma.

Pārbaude pirms iedarbināšanas

- Lai novērstu produkta nejausū iedarbināšanas risku, vienmēr izņemiet akumulatoru. Pirms produkta tehniskās apkopes vienmēr izņemiet akumulatoru.
- Pirms izstrādājuma lietošanas un pēc triecieniem pārbaudiet, vai nav radušās nodiluma vai bojājumu pazīmes, un, ja nepieciešams, saremontējiet.
- Pārbaudiet darba zonu. Novāciet visus vaļīgos priekšmetus, piemēram, akmeņus, stikla lauskas, naglas, tērauda stiepli, auklas un citus priekšmetus, kas var tikt izsviesti vai apfīties apkārt griežējam vai griežēja aizsargam.
- Pārbaudiet, vai motors nav nēfirs un saplaisājis. Ar suku notīriet no motora zāli un lapas. Ja nepieciešams, uzvelciet cimdus.
- Pārbaudiet, vai trimera galva ir pilnībā savienota ar trimeri.
- Pārbaudiet, vai izstrādājums ir pilnīgi labā stāvoklī. Pārbaudiet vai visas uzgriežņi un skrūves ir pievilkti.
- Pārbaudiet, vai trimmera spole un griešanas piederuma aizsargs nav bojāts vai saplaisājies. Nomainiet trimmera spoli vai griešanas piederuma aizsargu, ja tie ir bijuši pakļauti triecienam vai iekļausījuši. Vienmēr lietojiet konkrētai griešanas ierīcei ieteikto aizsargu. Skatiet nodaļu Tehniskie dati.
- Produkta operatoram jānodrošina, lai darba laikā citi cilvēki vai dzīvnieki atrastos vismaz 15 metru attālumā. Ja vairāki operatori strādā vienā darba vietā, drošības attālumam starp tiem jābūt ne mazākam par 15 metriem.
- Pirms lietošanas veiciet vispārēju produkta apskati. Skatiet apkopes grafiku.
- Uz lietošanu var attiekties valsts vai vietējie noteikumi. Ievērojiet norādītos noteikumus.

Rīkojieties saprātīgi

Ņemiet vērā, ka visas iespējamās situācijas nav iespējams aplūkot. Vienmēr esiet piesardzīgs un izmantojiet veselo saprātu. Izvairieties no situācijām, kurās nejutāties īsti pārliecināts par notiekošo vai veicamajām darbībām. Ja pēc šo norādījumu izlasīšanas joprojām šaubāties par notiekošo vai veicamajām darbībām, pirms turpmākas rīcības konsultējieties ar kādu ekspertu.



BRĪDINĀJUMS: Neļaujiet bērniem lietot šo ierīci vai uz uzturēties tās tuvumā. Tā kā iekārtu ir vienkārši iedarbināt, bērni to var nejausū iedarbināt. Tas var radīt smagu traumu. Tāpēc, ja iekārtu glabājat nomaļus, vienmēr atvienojiet akumulatoru.

Vispārīgi drošības norādījumi



BRĪDINĀJUMS: Pirms braucamā zāles plāvēja lietošanas izlasiet zemāk minētos brīdinājuma norādījumus.

- Lai novērstu kāta zāga nejausū ieslēgšanas risku, izņemiet akumulatoru.
- Šis izstrādājums ir bīstams instruments, ja ar to neīkkojas uzmanīgi vai ja to lieto nepareizi. Šī ierīce var radīt smagas vai nāvējošas traumas jums vai citiem.
- Neizmantojiet kāta zāģi, ja tā sākotnējā specifikācija ir mainīta. Nomainiet kāta zāģa detaļas bez ražotāja apstiprinājuma. Izmantojiet tikai tādas detaļas, ko ir apstiprinājis ražotājs. Veicot nepareizu tehnisko apkopi, var tikt radītas smagas vai nāvējošas traumas.
- Pirms lietošanas pārbaudiet kāta zāģi. Skatiet šeit: *Izstrādājuma drošības ierīces lpp. 266 un Sniega pūtēja pārskats lpp. 261*. Nelietojiet kāta zāģi, kas ir bojāts vai nedarbojas pareizi. Ievērojiet šajās rokasgrāmatā aprakstītās drošības pārbaudes, tehniskās apkopes un remonta norādījumus.
- Pieskatiet bērnus un neļaujiet bērniem rotāļties ar kāta zāģi. Nekādā gadījumā neļaujiet bērniem vai citām atbilstoši neapmācītām personām lietot kāta zāģi, mainīt tā akumulatoru vai veikt tehnisko apkopi. Vietējie tiesību akti var ierobežot pieļaujamo lietotāja vecumu.
- Glabājiet akumulatoru lādētāju slēdzamā vietā, kurai nevar piekļūt bērni vai personas, kurām tas nav atļauts.
- Uzglabājiet kāta zāģi bērniem nepieejamā vietā.
- Nekādā gadījumā nepārveidojiet kāta zāģa konstrukciju bez ražotāja atļaujas. Vienmēr izmantojiet oriģinālos piederumus. Neatļautas izmaiņas un/vai neatļauti piederumi var radīt smagas vai nāvējošas traumas kāta zāģa lietotājam un citiem.
- Kopējā norādītā vibrācijas vērtība ir mērīta pēc standarta testēšanas metodes, un to var izmantot darbarīku savstarpējai salīdzināšanai.
- Kopējo noteikto vibrācijas vērtību var izmantot arī sākotnējai iedarbības novērtēšanai.
- Vibrācija elektriskā darbarīka faktiskās izmantošanas laikā norādītās kopējās vērtības atkarībā no darbarīka lietošanas veida. Lai aizsargātu sevi, lietotājiem ir jāzina, kādi drošības pasākumi ir veicami, kas noteikti, pamatojoties uz iedarbības novērtējumu faktiskās izmantošanas

apstākļos (ņemot vērā visas darbības cikla daļas, piemēram, brīdī, kad darbarīks ir izslēgts, un, kad tas darbojas tukšgaitā, papildus kopā ar aktivizētāju).

Piezīme: Uz lietošanu var attiekties valsts vai vietējie tiesību akti. Ievērojiet norādītos noteikumus.

Individuālie aizsarglīdzekļi



BRĪDINĀJUMS: Pirms sākat lietot šo izstrādājumu, izlasiet tālāk izklāstītos brīdinājumus.

- Izmantojot izstrādājumu, vienmēr lietojiet apstiprinātus individuālos aizsarglīdzekļus. Šādi līdzekļi nevar pilnībā novērst traumu gūšanas risku, taču samazina traumu smaguma pakāpi, ja negadījums tomēr notiek. Ļaujiet izplatītājam palīdzēt jums izvēlēties pareizo aprīkojumu.
- Izmantojiet apstiprinātus dzirdes aizsarglīdzekļus.

(Att. 19)

- Izmantojiet apstiprinātus acu aizsarglīdzekļus. Apstiprinātas aizsargbrilles ir jālieto arī tad, ja tiek izmantots sejšegs. Apstiprinātas aizsargbrilles ir tādas, kas atbilst standarta ANSI Z87.1 prasībām ASV vai standarta EN 166 prasībām ES valstīs.

(Att. 20)

- Vajadzības gadījumā izmantojiet cimdus, piemēram, piestiprinot, pārbaudot vai tīrot griešanas aprīkojumu. (Att. 21)
- Lietojiet aizsargapavus ar tērauda purngaliem un neslīdošām zolēm.

(Att. 22)

- Lietojiet izturīga auduma apģērbu. Vienmēr valkājiet biezas, garas bikses un apģērbu ar garām piedurknēm. Nevalkājiet vaļīgu apģērbu, kas viegli var iekerties krūmos un zaros. Nevelciet dārglietas, īsas bikses un sandales. Nestaiģājiet basām kājām. Sakārtojiet matus droši virs pleciem.
- Turiet tuvumā neatliekamās palīdzības aprīkojumu.

(Att. 23)

Izstrādājuma drošības ierīces



BRĪDINĀJUMS: Pirms izstrādājuma lietošanas izlasiet tālāk izklāstītos brīdinājumus.

Šajā sadaļā ir izskaidrotas izstrādājuma drošības funkcijas, tā nolūks un veidi, kā tiek veikta tā pārbaude un apkope, lai garantētu izstrādājuma pareizu darbību. Skatiet norādījumus nodaļā ar virsrakstu *Jevads lpp. 261* lai uzzinātu, kur izstrādājumā atrodas šīs daļas.

Šī izstrādājuma darbmūžs var saīsināties un var palielināties nelaimes gadījumu risks, ja izstrādājuma apkope netiek veikta pareizi un ja apkope un/vai

remonts netiek veikts profesionāli. Ja nepieciešama papildu informācija, sazinieties ar tuvāko izplatītāju, kas nodrošina apkopi.



BRĪDINĀJUMS: Nekādā gadījumā nelietojiet izstrādājumu ar bojātu drošības aprīkojumu. Izstrādājuma drošības aprīkojums ir jāpārbauda un jāuztur, pamatojoties uz šajā nodaļā izklāstīto informāciju. Ja izstrādājums neatbilst iepriekš aprakstīto pārbauzu prasībām, sazinieties ar vietējo remontdarbnieku, lai izstrādājumu saremontētu.



IEVĒROJIET: Izstrādājuma apkopi un remontu drīkst veikt tikai īpaši apmācīti tehniķi. Tas jo īpaši attiecas uz izstrādājuma drošības aprīkojumu. Ja izstrādājums neatbilst zemāk aprakstīto pārbauzu prasībām, sazinieties ar apkopes pakalpojumu nodrošinātāju. Jebkura mūsu izstrādājuma iegāde garantē profesionāla remonta un apkopes pieejamību. Ja mazumtirgotājs, pie kura iegādājāties izstrādājumu, nav apkopi veicošs izplatītājs, uzziniet no viņa tuvākā apkopes veicēja adresi.

Tastatūras pārbaude

1. Nospiediet un turiet nospiestu iedarbināšanas/izslēgšanas pogu (A). (Att. 24)
 - a) Izstrādājums ir ieslēgts, ja deg LED indikators (B).
 - b) Izstrādājums ir izslēgts, ja nedeg LED indikators (B).
2. Skatiet *Tastatūra lpp. 272*, ja tiek iedegts vai mirgo brīdinājuma indikators (C).

Piedziņas mēlītes bloķētāja pārbaude

Spēka sprūda bloķētājs aizsargā pret nejaušu iedarbināšanu. Nospiežot spēka sprūda bloķētāju (A), tiek atbrīvots spēka sprūds (B). Atlaižot rokturi, spēka sprūds un spēka sprūda bloķētājs atgriežas sākuma pozīcijā. (Att. 25)

1. Pārbaudiet, vai spēka sprūds ir nobloķēts, kad spēka sprūda bloķētājs ir sākuma pozīcijā. (Att. 26)
2. Nospiediet spēka sprūdu un pārbaudiet, vai pēc atlaišanas tas atgriežas sākuma pozīcijā. (Att. 27)
3. Pārbaudiet, vai spēka sprūds un spēka sprūda bloķētājs brīvi kustas un atgriežas atspere darbojas pareizi. (Att. 28)
4. Iedarbiniet ierīci. Skatiet: *Izstrādājuma iedarbināšana lpp. 270*.
5. Palieliniet ātrumu līdz maksimālajam.

- Atļaidiet piedziņas mēlīti un pārbaudiet, vai griešanas ierīce pilnībā apstājas.

Griešanas ierīces aizsarga pārbaude



BRĪDINĀJUMS: Nelietojiet griešanas ierīci, ja tai nav pareizi uzstādīts apstiprināts griešanas ierīces aizsargs. Obligāti izmantojiet griešanas ierīci kopā ar ieteicamo griešanas ierīces aizsargu (sk. *Tehniskie dati lpp. 274*). Ja griešanas ierīces aizsargs ir uzstādīts nepareizi vai ir bojāts, pastāv nopietnas traumas risks.

Griešanas ierīces aizsargs aptur objektus, kas tiek izsviesti operatora virzienā. Griešanas ierīces aizsargs novērš arī traumas, kas rodas, pieskaroties griešanas ierīcei.

- Apturiet motoru.
- Vizuāli pārbaudiet, vai nav bojājumu, piemēram, plaisu.
- Ja griešanas ierīces aizsargs ir bojāts, nomainiet to.

Pļaušanas aprīkojums

Izvēlieties pareizu griešanas aprīkojumu un veiciet griešanas aprīkojuma apkopi, lai:

- panāktu maksimālu griešanas efektivitāti;
- palielinātu griešanas aprīkojuma darbību.



BRĪDINĀJUMS: Lietojiet griešanas aprīkojumu tikai ar mūsu ieteiktajiem aizsargiem! Skatiet šeit: *Apstiprinātie piederumi lpp. 275*. Lai pareizi uzstādītu trimmera auklu un plastmasas asmeņus, skatiet griešanas piederuma instrukciju.



BRĪDINĀJUMS: Bojāta griešanas palģierīce var palielināt negadījumu risku.



BRĪDINĀJUMS: Vienmēr apturiet ierīci, pirms sākat apkopt griešanas piederumu. Tas turpina griezties pēc tam, kad atlaižat piedziņas mēlīti. Pārlicinieties, vai griešanas piederums ir pilnībā apstājies, un pirms apkopes atvienojiet izstrādājuma akumulatoru.

Griešanas ierīce



BRĪDINĀJUMS: Vienmēr pārlicinieties, vai trimera aukla ir stingri un vienmērīgi uzlīta uz spoles, lai novērstu kaitīgu vibrāciju.

(Att. 29)

- Lietojiet tikai ieteiktās griešanas ierīces.
- Svarīgs ir auklas garums. Garāka trimmera aukla ir nepieciešama lielāka motora jauda nekā īsākai tāda paša diametra auklai.
- Pārlicinieties, vai nav bojāts uz griešanas piederuma aizsarga piestiprinātais griezējs. Tas nogriež trimmera auklu pareizajā garumā.
- Pirms lietošanas uz dažām dienām iemērciet trimera auklu ūdenī, lai paildzinātu tās darbību.

Akumulatora drošība



BRĪDINĀJUMS: Pirms izstrādājuma lietošanas izlasiet tālāk izklāstītos brīdinājumus.

- Izmantojiet tikai BLi sērijas un 40-B sērijas akumulatoru. Plašāku informāciju skatiet *Tehniskie dati lpp. 274*. Akumulatoram ir programmatūras šifrējums.
- Kā barošanas avotu izmantojiet tikai BLi sērijas un 40-B sērijas atkārtoti uzlādējamus akumulatoru saistītajiem Husqvarna izstrādājumiem. Lai nepieļautu traumu gūšanas risku, akumulatoru nedrīkst izmantot kā citu izstrādājumu strāvas avotu.
- Elektriskās strāvas triecienu risks. Nesavienojiet akumulatora spaiļus ar atslēgām, monētām, skrūvēm vai citiem metāla priekšmetiem. Tas var izraisīt akumulatora īssavienojumu.
- Nelietojiet vienreiz lietojamās baterijas.
- Neievietojiet nekādus priekšmetus akumulatora gaisa atverēs.
- Neglabājiet akumulatoru vietās, ka ir pakļautas tiešai saulesgaismai, karstumam vai atklātām liesmām. Akumulators var radīt apdegumus un/vai ķīmiskos apdegumus.
- Akumulatoru nedrīkst pakļaut lietus un mitruma ietekmei.
- Akumulatoru nedrīkst pakļaut mikroviļņu un augsta spiediena ietekmei.
- Akumulatoru nedrīkst izjaukt vai saspiest.
- Ja rodas noplūde no akumulatora, neļaujiet šķidrums saskarties ar ķermeni vai acīm. Ja pieskaraties šķidrumam, nomazgājiet skarto vietu ar lielu daudzumu ūdens un ziepēm un meklējiet medicīnisko palīdzību. Ja šķidrums iekļūst acīs, neberzējiet tās, bet vismaz 15 minūtes skalojiet ar ūdeni un meklējiet medicīnisko palīdzību.
- Akumulatoru drīkst izmantot temperatūrā no -10 °C (14 °F) līdz 40 °C (114 °F).
- Neļietiet akumulatoru un tā lādētāju ar ūdeni. Skatiet šeit: *Produkta, akumulatora un akumulatora lādētāja tīrīšana lpp. 272*.
- Nelietojiet defektīvu vai bojātu akumulatoru.
- Uzglabājiet akumulatorus vietā, kur tuvumā nav metāla priekšmetu, piemēram, naglu, skrūvju vai rotaslietu.
- Sargiet akumulatoru no bērniem.

Akumulatora lādētāja drošības norādes



BRĪDINĀJUMS: Pirms izstrādājuma lietošanas izlasiet tālāk izklāstītos brīdinājumus.

- Ja drošības instrukcijas netiek ievērotas, pastāv elektriskās strāvas trieciena vai īssavienojuma risks.
- Neizmantojiet citus akumulatoru lādētājus, izņemot jūsu izstrādājumam paredzēto. Izmantojiet tikai QC80 un 40-C80 lādētājus, lai uzlādētu BLi sērijas un 40-B sērijas nomaīņas akumulatorus.
- Nemēģiniet demontēt akumulatora lādētāju.
- Nelietojiet defektīvu vai bojātu akumulatora lādētāju.
- Nevelciet akumulatora lādētāju aiz barošanas kabeļa. Lai akumulatora lādētāju atvienotu no elektrofikla kontaktligzdas, velciet aiz kontaktspraudņa. Nevelciet aiz barošanas kabeļa.
- Uzmanieties, lai vadi un pagarinātāji nesaskartos ar ūdeni, eļļu un asām malām. Nodrošiniet, lai kabelis netiktu iespiests starp priekšmetiem, piemēram, durvis, nožogojumus vai līdzīgās konstrukcijās.
- Nelietojiet akumulatora lādētāju viegli uzliesmojošu materiālu vai materiālu, kas var izraisīt koroziju, tuvumā. Pārlicinieties, vai akumulatora lādētājs nav pārsegts. Ja konstatējat dūmus vai uguni, izraujiet akumulatora lādētāja kontaktspraudni.
- Uzlādējiet akumulatoru tikai tādās telpās, kur ir laba gaisa plūsma un kur akumulators nav pakļauts saules gaismas ietekmei. Neuzlādējiet akumulatoru ārpus telpām. Neuzlādējiet akumulatoru mitrumā.
- Akumulatora lādētāju izmantojiet tikai vietās, kur temperatūra ir no 5 °C (41 °F) līdz 40 °C (104 °F). Izmantojiet lādētāju labi vēdināmā un sausā vietā, kur nav putekļu.
- Neievietojiet nekādus priekšmetus akumulatora lādētāja dzesēšanas atverēs.

- Nekādā gadījumā akumulatora lādētāja spaiļes nesavienojiet ar metāla priekšmetiem, jo tas var izraisīt akumulatora lādētāja īssavienojumu.
- Izmantojiet apstiprinātas kontaktligzdas, kas nav bojātas. Pārlicinieties, vai akumulatora lādētāja vads nav bojāts. Ja tiek izmantoti pagarinātāji, pārlicinieties, vai tie nav bojāti.
- Neizmantojiet akumulatoru lādētāju tādu akumulatoru uzlādei, kas nav atkārtoti uzlādējami.

Norādījumi par drošu apkopi



BRĪDINĀJUMS: Pirms veicat produkta apkopi, izlasiet brīdinājuma norādījumus.

- Noņemiet akumulatoru, pirms veicat apkopi, citas pārbaudes vai montējat produktu.
- Operators drīkst veikt tikai šajā lietotāja rokasgrāmatā norādītos apkopes un servisa darbus. Par plašākiem apkopes un servisa darbiem sazinieties ar jūsu apkopes nodrošinātāju.
- Neīriēt akumulatoru un tā lādētāju ar ūdeni. Spēcīgs mazgāšanas līdzeklis var radīt plastmasas bojājumus.
- Neveicot apkopi, samazinās produkta dzīves cikls un palielinās nelaimes gadījumu risks.
- Īpaša apmācība ir nepieciešama visiem apkopes un remontdarbiem, jo īpaši šī produkta drošības ierīcēm. Ja visas šajā lietotāja rokasgrāmatā norādītās pārbaudes netiek apstiprinātas pēc apkopes veikšanas, sazinieties ar apkopes nodrošinātāju. Mēs garantējam profesionālu remontdarbu un apkopes pieejamību jūsu produktam.
- Vienmēr izmantojiet tikai oriģinālās detaļas.

Montāža

Ievads



BRĪDINĀJUMS: Pirms izstrādājuma montāžas izlasiet un izprotiet drošības norādījumus.

Griešanas ierīces aizsarga piestiprināšana

1. Novietojiet griešanas piederuma aizsargu pret motora korpusu. (Att. 30)
2. Pārbaudiet fiksējošos āķus. (Att. 31)
3. Pievelciet skrūvi. Lietojiet kombinēto uzgriežņu atslēgu. (Att. 32)
4. Pievelciet skrūvi.

Griešanas piederuma maiņa

1. Ievietojiet kombinēto uzgriežņu atslēgu atverē, lai bloķētu vārpstu. (Att. 33)
2. Grieziet griešanas piederumu un uzmanīgi virziet kombinēto uzgriežņu atslēgu, līdz piedziņas vārpsta ir bloķēta.
3. Lai noņemtu griešanas piederumu, grieziet to pulksteņrādītāju kustības virzienā. Pirms griešanas piederuma uzstādīšanas pārlicinieties, vai piedziņas disks ir savā vietā. (Att. 34)
4. Uzstādiet jauno griešanas piederumu, veicot darbības pretējā secībā. (Att. 35) (Att. 36)

Piezīme: Pirms griešanas piederuma uzstādīšanas pārlicinieties, vai piedziņas disks ir pareizi uzstādīts.

Augu aizsarga uzstādīšana

1. Ievietojiet augu aizsargu motora korpusa atverēs. (Att. 37)
2. Pārbaudiet, vai augu aizsargs var brīvi pārvietoties uz priekšu un atpakaļ. (Att. 38)

Cilpas roktura montāža

1. Ievietojiet skrūvi cilpveida rokturī. (Att. 39)
2. Piestipriniet cilpveida rokturi stiprinājumam uz vārpstas.
3. Pievelciet skrūves.
4. Novietojiet cilpveida rokturi pareizajā pozīcijā. Skatiet šeit: *Cilpas formas roktura un teleskopiskās vārpstas regulēšana lpp. 270.*

Akumulatoru lādētāja (40-C80) uzstādīšana pie sienas



IEVĒROJIET: Neizmantojiet elektrisko skrūvgriezi akumulatoru lādētāja uzstādīšanai pie sienas. Elektrisks skrūvgriezis var izraisīt akumulatoru lādētāja bojājumus.

1. Pieskrūvējiet akumulatoru lādētāju pie sienas ar 2 skrūvēm (A). Nepieciešamības gadījumā izmantojiet sienas tapas (dībeļus) (B). (Att. 40)
2. Atverēs ievietojiet 2 dībeļus (C).
3. Pievienojiet barošanas kabeli (D) akumulatoru lādētājam un elektrotīkla kontaktligzdai.

Lietošana

Ievads



BRĪDINĀJUMS: Pirms produkta lietošanas izlasiet un izprotiet drošības norādījumus.

Pirms izstrādājuma lietošanas

- Apskatiet darba vietu un pārliecinieties, vai pārzināt tās reljefu. Apskatiet nogāzi un pārbaudiet, vai uz tās ir šķēršļi, piemēram, akmeņi, zari un grāvji.
- Veiciet pilnīgu izstrādājuma pārbaudi.
- Veiciet drošības pārbaudes, uzturēšanu un apkopi, kas aprakstīta šajā rokasgrāmatā.
- Pārbaudiet, vai motors nav netīrs un saplaisājis. Ar birsti iztīriet motorā iekļuvušo zāli un lapas. Ja nepieciešams, izmantojiet cimdus.
- Pārbaudiet, vai trimmera galva un griešanas ierīces aizsargs nav bojāti vai iekļūvēti. Ja trimmera galva un griešanas ierīce ir tikusi pakļauta triecienam vai ir iekļūvējusī, nomainiet to.
- Pārliecinieties, vai visi uzgriežņi un skrūves ir stingri pievilktas.
- Pirms izstrādājuma iedarbināšanas pārliecinieties, vai visi pārsegi, aizsargi, rokturi un griešanas aprīkojums ir pareizi piestiprināti un nav bojāti.

Akumulators



BRĪDINĀJUMS: Pirms akumulatora lietošanas izlasiet un izprotiet drošības nodaļas norādījumus. Izlasiet akumulatora un akumulatora lādētāja lietošanas rokasgrāmatu un pārliecinieties, ka izprotat to.

Glabājiet akumulatoru un akumulatoru lādētāju pareizi apkārtējās vides temperatūrā.

	Apkārtējās vides temperatūra
Dzīvzoga šķēru lietošana	-5–40 °C/23–104 °F
Akumulatora uzlāde	5–40 °C/41–104 °F

Akumulatora statuss

Displejā ir redzams uzlādes līmenis un akumulatora problēmu ziņojumi, ja pastāv problēmas.

(Att. 41)

Gaismas diodes indikators	Akumulatora stāvoklis (uzlādes stāvoklis)	
	BLi10, BLi20	40-B70, 40-B140
Deg četras gaismas diodes	NAV PIEEJAMS	Akumulators ir uzlādēts 76–100% apmērā.
Deg trīs gaismas diodes	Akumulators ir uzlādēts 76–100% apmērā.	Akumulators ir uzlādēts 51–75% apmērā.
Deg divas gaismas diodes	Akumulators ir uzlādēts 51–75% apmērā.	Akumulators ir uzlādēts 26–50% apmērā.

Gaismas diodes indikators	Akumulatora stāvoklis (uzlādes stāvoklis)	
	BL110, BLI20	40-B70, 40-B140
Deg viena gaismas diode	Akumulators ir uzlādēts 26–50% apmērā.	Akumulators ir uzlādēts 6–25% apmērā.
Mirgo viena gaismas diode	Akumulatora ir uzlādēts 0–25% apmērā.	Akumulatora ir uzlādēts 0–5% apmērā.

Akumulatora uzlāde

Ja akumulatoru lietojat pirmo reizi, uzlādējiet to. Jauns akumulators ir uzlādēts tikai par 30%.



IEVĒROJIET: Pievienojiet akumulatora lādētāju kontaktligzdai, kas atbilst datu plāksnītē norādītajam spriegumam un frekvencei.

Akumulators netiks uzlādēts, ja akumulatora temperatūra pārsniedz 50 °C/122 °F.

1. Pievienojiet barošanas kabeli akumulatoru lādētājam.
2. Pieslēdziet akumulatora lādētāju iezemētai barošanas kontaktligzdai. Uzlādes gaismas diode nomirgo vienu reizi. (Att. 42)
3. Pievienojiet akumulatoru pie lādētāja. Iedegas uzlādes gaismas diode. Akumulatora uzlādes laiks nedrīkst pārsniegt 24 stundas. (Att. 43)
4. Nospiediet akumulatora indikatora pogu, ja visas gaismas diodes iedegas; akumulators ir pilnībā uzlādēts.
5. Izraujiet barošanas kabeļa kontaktspraudni, lai atvienotu akumulatora lādētāju no barošanas kontaktligzdas. Nevelciet aiz barošanas kabeļa.
6. Izņemiet akumulatoru no lādētāja.

Akumulatoru savienošana ar produktu



BRĪDINĀJUMS: Izmantojiet tikai ierīces sākotnējo Husqvarna akumulatoru.

1. Uzlādējiet akumulatoru pilnībā.
2. Iebīdīet akumulatoru izstrādājuma akumulatora turētājā. Atskatot klikšķim, akumulators automātiski nofiksējas. (Att. 44)



IEVĒROJIET: Ja akumulators viegli neiesīd akumulatora turētājā, akumulators nav pareizi uzstādīts. Pretējā gadījumā produktu var sabojāt.

Izstrādājuma iedarbināšana

1. Nospiediet un turiet ieslēgšanas/apturēšanas pogu, līdz iedegas zaļais LED indikators. (Att. 45)

2. Nospiediet spēka sprūda bloķētāju un spēka sprūdu. Griešanas apriņķojums sāks griezties.

Cilpas formas roktura un teleskopiskās vārpstas regulēšana

1. Atlaidiet vaļīgāk fiksēšanas rokturi un novietojiet cilpveida rokturi pareizā pozīcijā. (Att. 46)
2. Bloķējiet fiksēšanas rokturi.
3. Atlaidiet vaļīgāk vārpstas sviru. (Att. 47)
4. Iestatiet vajadzīgo vārpstas garumu. Pārliedziniet, ka redzat trijstūri uz vārpstas. (Att. 48)
5. Nolaidiet sviru un pievelciet skrūvi.

Piezīme: Nepieskarieties cilpas rokturim uz vārpstas brīdinājuma uzlīmēm.

SavE funkcijas izmantošana

Šim izstrādājumam ir enerģijas taupīšanas funkcija SavE.

Piezīme: Funkcija SavE nesamazina izstrādājuma griešanas jaudu.

1. Nospiediet tastatūras pogu SavE.
2. Pārliedziniet, vai iedegas zaļais LED indikators.
3. Nospiediet pogu SavE vēlreiz, lai funkciju izslēgtu. Zaļais LED indikators nodziest. (Att. 49)

Automātiskās izslēgšanas funkcija

Izstrādājumam ir izslēgšanas funkcija, kas aptur izstrādājumu, ja tas netiek izmantots. Zaļā gaismas diode ar ieslēgšanas/apturēšanas norādi nodziest, un izstrādājuma darbība tiek apturēta pēc 180 sekundēm.

Izstrādājuma darbināšana

Zāles pļaušana

1. Pļaujot zāli, pārliedziniet, vai plastmasas asmeņi vai trimmera aukla ir paralēli zemei. (Att. 50)
2. Nespiediet Tri-Cut vai trimmera spoli pret zemi. Pretējā gadījumā var rasties motorzāga bojājumi.

Piezīme: Zemā apkārtējās vides temperatūrā (aptuveni 0° C) asmens vai trimmera aukla var saplīst.

3. Griežot zāli, virziet izstrādājumu horizontālā virzienā no vienas puses uz otru. (Att. 51)

Piezīme: Nelietojiet izstrādājumu ar bojātu griešanas piederumu. Bojāts griešanas piederums var izraisīt līdzsvara zudumu, kas, savukārt, var izraisīt izstrādājuma bojājumus.

Zāles aizslaucīšana

Gaisa plūsmu no rotējošajiem plastmasas asmeņiem vai trimmera auklas var izmantot, lai aizvāktu nopļauto zāli.

1. Turiet trimmera spoli, plastmasas asmeņus vai trimmera auklu paralēli zemei un virs zemes.
2. Palieliniet ātrumu līdz maksimālajam ātrumam.
3. Virziet griešanas piederumu no vienas puses uz otru un aizslaukiet zāli.



BRĪDINĀJUMS: Noīriet griešanas piederuma pārsegu ik reizi, kad piestiprināt jaunus plastmasas asmeņus vai trimmera auklu, lai novērstu līdzsvara zudumu un

vibrāciju rokturos. Pārbaudiet arī pārējās griešanas piederuma daļas un vajadzības gadījumā noīriet.

Pļaušana ar trimmeri objektu tuvumā

1. Pavelciet augu aizsargu uz leju. (Att. 52)
2. Izmantojiet augu aizsargu, lai izvairītos no citu objektu sabojāšanas. (Att. 53)

Lai apturētu ierīci

1. Atlaidiet spēka sprūdu vai spēka sprūda bloķētāju.
2. Nospiediet un turiet iedarbināšanas/izslēgšanas pogu, līdz nodziesit zaļais LED indikators.
3. Nospiediet atlaišanas pogas uz akumulatora un izņemiet akumulatoru no izstrādājuma. (Att. 54)

Plastmasas asmeņu vai trimmera auklas nomaiņa

Skatiet pēdējās lappuses šajā lietotāja rokasgrāmatā.

Apkope

Ievads



BRĪDINĀJUMS: Pirms ķēdes zāģa apkopes veikšanas izlasiet un izprotiet sadaļu par drošības pasākumiem.

Zemāk ir redzams pūtēja apkopes darbību saraksts. Papildinformāciju skatiet šeit: *Sniega pūtēja pārskats lpp. 261.*

Tehniskās apkopes grafiks



BRĪDINĀJUMS: Pirms veikt tehnisko apkopi, izņemiet akumulatoru.

Tehniskā apkope	Katru dienu	Reizi nedēļā	Reizi mēnesī
Tīriet izstrādājuma ārējās daļas ar sausu drānu. Neizmantojiet ūdeni.	X		
Pārļiecinieties, vai iedarbināšanas un izslēgšanas poga darbojas pareizi un nav bojāta.	X		
Pārbaudiet, vai piedziņas mēlīte un tās bloķētājs darbojas pareizi no drošības viedokļa.	X		
Pārļiecinieties, vai rokturi ir sausi un tīri.	X		
Pārbaudiet, vai griešanas ierīces aizsargs nav bojāts. Ja griešanas ierīces aizsargs ir bojāts, nomainiet to.	X		
Pārļiecinieties, vai rokturis vai roktura stienis nav bojāts un ir piestiprināts pareizi.	X		
Pārbaudiet teleskopiskās vārpstas bloķēšanas mehānismu. Skatiet šeit: <i>Teleskopiskās vārpstas fiksēšanas mehānisma pārbaude lpp. 272.</i>	X		

Tehniskā apkope	Katru dienu	Reizi nedēļā	Reizi mēnesī
Pārlicinieties, vai akumulatora lādētājs pareizi darbojas un nav bojāts.	X		
Pārlicinieties, vai akumulators nav bojāts.	X		
Pārlicinieties, vai akumulators ir uzlādēts.	X		
Pārlicinieties, vai akumulatora lādētājs nav bojāts.	X		
Pārlicinieties, ka ārējās skrūves un uzgriežņi ir stingri pievilkti.		X	
Pārbaudiet, vai darbojas akumulatora atbrīvošanas pogas uz akumulatora un vai tās fiksē akumulatoru izstrādājumā.		X	
Pārbaudiet, vai trimmera spolē ir smērviela.		X	
Tīriet un pārbaudiet savienojumus starp akumulatoru un izstrādājumu.			X
Tīriet un pārbaudiet savienojumu starp akumulatoru un akumulatora lādētāju.			X

Akumulatora un akumulatora lādētāja pārbaude

1. Pārbaudiet, vai akumulators nav bojāts, piemēram, vai tajā nav plaisu.
2. Pārbaudiet, vai akumulatora lādētājs nav bojāts, piemēram, vai tajā nav plaisu.
3. Pārlicinieties, vai akumulatora lādētāja savienojuma vads nav bojāts un vai tajā nav plaisu.

Produkta, akumulatora un akumulatora lādētāja tīrīšana

1. Pēc lietošanas tīriet produktu ar sausu drānu.
2. Tīriet akumulatoru un akumulatora lādētāju ar sausu drānu. Akumulatora vadotnes sliedēm ir vienmēr jābūt tīrām.

3. Pārlicinieties, vai akumulatora un akumulatora lādētāja spaiļes ir tīras, pirms akumulators tiek ievietots akumulatora lādētājā vai produktā.

Tri-Cut pārbaude un nomaīņa

1. Pārbaudiet, vai Tri-Cut nav bojājumu vai plaisu.
2. Noņemiet Tri-Cut. *Skatiet tēmu "Tri-Cut noņemšana" lietotāja rokasgrāmatas pēdējā lappusē.*
3. Uzstādiet Tri-Cut. Skatiet šeit: *Griešanas piederuma maiņa lpp. 268.*

Teleskopiskās vārpstas fiksēšanas mehānisma pārbaude

1. Pārbaudiet teleskopiskās vārpstas bloķēšanas mehānismu.
2. Noregulējiet griezes momentu. (Att. 55)

Problēmu novēršana

Tastatūra

LED ekrāns	Iespējamās kļūmes	Iespējamie risinājumi
Mirgo kļūdu LED indikators.	Pārslodze	Griešanas ierīce nevar brīvi kustēties. Atbrīvojiet griešanas ierīci.
	Temperatūras nobīde	Ļaujiet produktam atdzist.
Izstrādājums nesāk darboties.	Vienlaikus nospiediet spēka sprūdu un iedarbināšanas pogu.	Atlaidiet spēka sprūdu un apturiet izstrādājumu.
Kļūdu LED indikators iedegas sarkanā krāsā.	Ir nepieciešams veikt izstrādājuma apkopi	Sazinieties ar apkopes sniedzēju.

Akumulators

LED indikatoru displejs	Iespējamās kļūmes	Iespējamā rīcība
LED indikators mirgo zaļā krāsā	Akumulators izlādējies.	Uzlādējiet akumulatoru.
Mirgo kļūdu LED indikators.	Temperatūras nobīde.	Akumulatoru drīkst izmantot temperatūrā no -10°C (14°F) līdz 40°C (104°F).
	Pārāk liels spriegums.	Pārbaudiet, vai tīkla spriegums atbilst tam, kas norādīts uz izstrādājuma datu plāksnītes. Izņemiet akumulatoru no lādētāja.
Deg kļūdu LED indikators.	Pārāk liela elementu atšķirība (1 V).	Sazinieties ar vietējo apkopes sniedzēju.

Akumulatora lādētājs

Problēma	Iespējamās kļūmes	Iespējamais risinājums
Uzlādes gaismas diode deg sarkanā krāsā.	Pastāvīga akumulatora lādētāja kļūda.	Sazinieties ar izplatītāju.
Uzlādes gaismas diode mirgo zaļā krāsā.	Temperatūras nobīde, akumulators ir pārāk auksts vai pārāk karsts, lai to lietotu vai uzlādētu.	Ļaujiet akumulatoram atdzist vai sasilt. Kad akumulators ir sasniedzis pareizo temperatūru, to var atkal lietot vai uzlādēt. Izmantojiet akumulatora lādētāju vides temperatūras diapazonā no 5 °C (41 °F) līdz 40 °C (104 °F).
Uzlādes gaismas diode mirgo sarkanā krāsā.	Bojāts akumulators.	Sazinieties ar izplatītāju.

Pārvadāšana, glabāšana un utilizēšana

Pārvadāšana un uzglabāšana

- Komplektācijā iekļautie litija jonu akumulatori atbilst bīstamo preču normatīvu prasībām.
- Ievērojiet īpašās prasības, kas norādītas uz iepakojuma un uzlīmēm attiecībā uz komerciālu transportēšanu, kā arī trešo pušu un pārsūtīšanas uzņēmumu prasības.
- Pirms nogādāt akumulatorus, sazinieties ar bīstamo materiālu pārvadāšanas speciālistu. Ievērojiet visus spēkā esošos konkrētās valsts likumus.
- Kad ievietojat akumulatoru iepakojumā, uz atklātajiem kontaktiem uzlieciet līmlenti. Stingri ievietojiet akumulatoru iepakojumā, lai nepieļautu izkustēšanos.
- Transportēšanas vai uzglabāšanas nolūkos izņemiet akumulatoru.
- Novietojiet akumulatoru un akumulatora lādētāju sausā vietā, kuru neietekmē mitrums un sals.
- Neglabājiet akumulatoru vietās, kur var rasties statiskā elektrība. Neglabājiet akumulatoru metāla kārbā.
- Novietojiet akumulatoru glabāšanai vietā, kur temperatūra ir diapazonā no 5 °C/41 °F līdz 25 °C/77 °F un ko neskar tieša saules gaisma.
- Novietojiet lādētāju glabāšanai vietā, kur temperatūra ir diapazonā no 5 °C/41 °F līdz 45 °C/113 °F un ko neskar tieša saules gaisma.
- Izmantojiet akumulatoru lādētāju tikai tad, ja apkārtējā temperatūra ir diapazonā no 5 °C/41 °F līdz 40 °C/104 °F.
- Pirms akumulatoru novietošanas ilgstošai uzglabāšanai, uzlādējiet to par 30–50%.

- Novietojiet akumulatora lādētāju slēgtā un sausā vietā.
- Uzglabāšanas laikā neturiet akumulatoru lādētāja tuvumā. Neļaujiet bērniem un citām nepiederošām personām pieskarties aprīkojumam. Glabājiet aprīkojumu slēdzamā vietā.
- Notīriet trimeri un veiciet pilnu apkopi, pirms novietojat trimeri ilgstošai uzglabāšanai.
- Izmantojiet transportēšanas aizsargu uz trimera, lai nepieļautu traumas vai trimera bojājumus transportēšanas vai glabāšanas laikā.
- Transportēšanas laikā droši nostipriniet trimeri.

Akumulatora, lādētāja un produkta likvidācija

Simboli uz izstrādājuma vai tā iepakojuma norāda, ka šis izstrādājums nav sadzīves atkritums. Utilizējiet to elektrisko un elektronisko ierīču pārstrādes uzņēmumā. Tādējādi tiek samazināta kaitīgā ietekme uz vidi un cilvēkiem.

Lai saņemtu papildinformāciju par izstrādājuma pārstrādi, sazinieties ar vietējām iestādēm, mājāsaimniecības atkritumu savākšanas pakalpojumu sniedzēju vai izplatītāju.

Tehniskie dati

Tehniskie dati

215iL-TC	
Motors	
Motora tips	BLDC
Dzenamās vārpstas ātrums, apgr./min	6800
Pļaušanas platums, mm	255
Svars	
Svars bez akumulatora, kg	2,9
Trokšņa emisija ⁴⁶	
Skaņas jaudas līmenis, izmērītais dB (A)	90,8
Skaņas jaudas līmenis, garantētais L _{WA} dB (A)	93
Trokšņa līmeņi ⁴⁷	
Ekvivalents skaņas spiediena līmenis pie lietotāja auss, mērīts saskaņā ar standartu IEC 62841-4-4, dB (A)	81,3
Vibrācijas līmeņi ⁴⁸	
Vibrācijas līmeņi pie rokturiem mērīti atbilstoši standartam IEC 62841-4-4, m/s ²	3,0/2,7
Aprīkojumā iekļauta priekšējā/aizmugurējā trimera galva (oriģinālā).	

⁴⁶ Atbilstoši EK direktīvai 2000/14/EK trokšņa emisija apkārtne ir mērīta kā akustiskā jauda (L_{WA}). Atšķirība starp garantēto un izmērīto skaņas jaudas līmeni ir tāda, ka garantētā skaņas intensitātes līmeņa mērījumu rezultāts ietver arī izkliedi mērījuma rezultātā un atšķirības dažādiem tā paša modeļa izstrādājumiem atbilstoši Direktīvai 2000/14/EK.

⁴⁷ Sniegtajos datos par ekvivalenta skaņas spiediena līmeni ierīcei ir tipiska statistiskā 3 dB (A) izkliede (standartnovirze).

⁴⁸ Sniegtajos datos par vibrācijas līmeni tipiska statistiskā izkliede ir 1,5 m/s² (standarta novirze).

Izstrādājumam apstiprinātie akumulatori

Akumulators	BLi10		BLi20		40-B70	40-B140
Tips	Litija jonu		Litija jonu		Litija jonu	Litija jonu
Akumulatora ietilpība, Ah	Skatiet akumulatora datu uzlīmi		Skatiet akumulatora datu uzlīmi		Skatiet akumulatora datu uzlīmi	Skatiet akumulatora datu uzlīmi
Nominālais spriegums, V	36	36,5	36	36,5	36	36
Svars, mārciņas/kg	0,7	0,7	1,2	1,2	0,8	1,25

Izstrādājumam apstiprinātie akumulatora lādētāji

Akumulatora lādētājs	QC80	40-C80
Elektrotīkla spriegums, V	100-240	100-240
Frekvence, Hz	50-60	50-60
Jauda, W	100	72
Izvades spriegums, V d.c./ ampēri, A	36/2	43/1,6

Piederumi

Apstiprinātie piederumi

Apstiprinātie piederumi	Tips	Pļaušanas palīgieļces aizsargaprikojums, art. nr.
Trimmera spole	R25B (Ø 2 mm aukla)	529 96 69-01
Trimmera spole	Tri-Cut B (255 mm)	529 96 69-01

Atbilstības deklarācija

ES atbilstības deklarācija

Mēs, **Husqvarna AB**, SE-561 82 Huskvarna, Zviedrija, tālr. +46-36-146500, ar pilnu atbildību apliecinām, ka šis izstrādājums:

Apraksts	Zāles trimmeris ar akumulatoru
Zīmols	Husqvarna
Tips/modelis	215iL-TC
Identifikācija	Sākot ar sērijas numuriem 2025

pilnībā atbilst šādām ES direktīvām un noteikumiem:

Direktīva/regula	Apraksts
2006/42/EK	“par mehānismiem”
2014/30/ES	“par elektromagnētisko savietojamību”
2000/14/EK	“par trokšņa emisiju vidē”
2011/65/ES	“par dažu bīstamu vielu izmantošanas ierobežošanu elektriskās un elektroniskās iekārtās”

un ir ievēroti zemāk norādītie saskaņotie standarti un/vai tehniskie dati: EN 62841-1:2015+A11:2022, IEC 62841-4-4:2020, EN ISO 12100:2010, EN IEC 63000:2018, EN IEC 55014-1:2021; EN IEC 55014-2:2021.

Pilnvarotā iestāde: 0036 TÜV SÜD Industrie Service GmbH, Westendstraße199,80686 München,Germany ir apstiprinājusi atbilstību Eiropas Padomes direktīvai 2000/14/EK, atbilstības izvērtēšanas kārtībai: VI pielikums.

Informāciju par trokšņa emisiju skatiet šeit: *Tehniskie dati lpp. 274.*

Huskvarna, 2025-01-10



Claes Losdal, izpētes un attīstības nodaļas vadītājs,
Husqvarna AB

Atbildīgais par tehnisko dokumentāciju



Inhoud

Inleiding.....	277	Vervoer, opslag en verwerking.....	290
Veiligheid.....	278	Technische gegevens.....	290
Montage.....	285	Accessoires.....	292
Werking.....	286	Verklaring van overeenstemming.....	293
Onderhoud.....	288	Bijlage	478
Probleemoplossing.....	289		

Inleiding

Productbeschrijving

Husqvarna 215iL-TC is een grastrimmer met accu en een elektromotor.

Er wordt voortdurend gewerkt aan het verhogen van uw veiligheid en efficiëntie tijdens bedrijf. Neem voor meer informatie contact op met uw servicedealer.

Beoogd gebruik

Het product wordt gebruikt met niet-metalen kunststof messen. Gebruik het product niet voor andere taken dan

voor het maaien van onkruid, gras of soortgelijke zachte begroeiing.

Let op: Nationale wetgeving kan het gebruik van dit product mogelijk beperken.

Gebruik het product uitsluitend met accessoires die door de fabrikant zijn goedgekeurd. Zie *Accessoires op pagina 292*.

Productoverzicht

(Fig. 1)

1. Tri-Cut-trimmerkop
2. Beschermkap van de snijuitrusting
3. As
4. Afstelling steel (telescoop)
5. Lushgreep
6. Toetsenbord
7. Waarschuwingslampje toetsenbord
8. Start/stop-knop
9. SavE-knop
10. Voedingsschakelaar
11. Vergrendeling voedingsschakelaar
12. Spannings- en waarschuwingslampje
13. Connector
14. Acculader 40-C80
15. Plantbeschermer
16. Waarschuwingslampje accu
17. Accustatus
18. Accu-indicatielampje
19. Accuontgrendelknoppen
20. Accu
21. Combinatietang
22. Meenemer
23. Gebruikershandleiding

toebrengen aan de gebruiker of anderen. Wees voorzichtig en gebruik het product op de juiste manier.

(Fig. 3) Lees de bedieningshandleiding zorgvuldig door en zorg dat u de instructies hebt begrepen voordat u het product gebruikt.

(Fig. 4) Draag oog- en oorbescherming.

(Fig. 5) Stel het product niet bloot aan regen.

(Fig. 6) Label met geluidsemissies naar de omgeving conform de richtlijnen en voorschriften van de EU (inclusief de wetgeving van Nieuw-Zuid-Wales) en het VK. De geluidsemissiegegevens vindt u op het machinelabel en in het hoofdstuk Technische gegevens. Alleen van toepassing als het product is uitgerust met een trimmerdraad.

(Fig. 7) Pas op voor wegschietende voorwerpen.

(Fig. 8) Koppel de accu los voor onderhoud.

(Fig. 9) Het product of de verpakking ervan is geen huishoudelijk afval. Lever het in bij een recyclepunt voor elektrische en elektronische apparatuur.

Symbolen op het product

(Fig. 2) **WAARSCHUWING:** Dit product kan gevaarlijk zijn en ernstig of fataal letsel

(Fig. 10) Het product voldoet aan de geldende EU-richtlijnen.

(Fig. 12) Gelijkstroom.

(Fig. 11) Het product voldoet aan de geldende VK-regelgeving.

(Fig. 16) De afstand tussen de machine en omstanders moet minimaal 15 m (50 ft) zijn.

(Fig. 17) Gebruik geen metalen bladen.

yyyywwxxxx

Het serienummer staat op het productplaatje of de laserdruk. **yyyy** is het productiejaar en **ww** is de productieweek.

Symbolen op de accu en/of op de accuhouder.

(Fig. 18) Lever dit product in bij een recyclepunt voor elektrische en elektronische apparatuur. (Alleen geldig voor Europa)

(Fig. 13) Faalveilige transformator.

(Fig. 14) Bewaar en gebruik de acculader alleen binnen.

(Fig. 15) Dubbele isolatie.

Schade aan het product

We zijn niet verantwoordelijk voor schade aan ons product als:

- het product niet goed is gerepareerd.
- het product is gerepareerd met onderdelen die niet van de fabrikant afkomstig zijn, of onderdelen die niet zijn goedgekeurd door de fabrikant.
- het product een accessoire bevat dat niet afkomstig is van de fabrikant of niet is goedgekeurd door de fabrikant.
- het product niet is gerepareerd door een erkend servicepunt of door een erkende autoriteit.

Veiligheid

Veiligheidsdefinities

Waarschuwingen, voorzorgsmaatregelen en opmerkingen worden gebruikt om te wijzen op belangrijke delen van de handleiding.



WAARSCHUWING: Wordt gebruikt om te wijzen op de kans op ernstig of fataal letsel voor de gebruiker of omstanders wanneer de instructies in de handleiding niet worden gevolgd.



OPGELET: Wordt gebruikt indien er een risico bestaat op schade aan het product en andere eigendommen of aan de omgeving wanneer de instructies in de handleiding niet worden gevolgd.

Let op: Geven verdere informatie die nodig is in een bepaalde situatie.

Algemene veiligheidsaanwijzingen voor machines



WAARSCHUWING: Lees alle veiligheidsaanwijzingen, instructies, illustraties en specificaties voor deze machine. *Het niet opvolgen van ieder van de onderstaande instructies kan leiden tot elektrische schokken, brand en/of ernstig letsel.*

Bewaar alle waarschuwingen en instructies voor later gebruik.

Let op: *Het in de veiligheidsaanwijzingen gebruikte begrip "machine" heeft betrekking op machines die met netspanning worden gebruikt (met een netsnoer) en op machines die op een accu werken (zonder netsnoer).*

Veiligheid van het werkgebied

- **Zorg ervoor dat de werkplek schoon en goed verlicht is.** In rommelige of donkere gebieden gebeuren eerder ongelukken.
- **Gebruik de machine niet in een explosieve atmosfeer, zoals een omgeving waarin zich**

ontvlambare vloeistoffen, gasen of stof bevinden.

Machines veroorzaken vonken die stof of dampen kunnen doen ontbranden.

- **Houd kinderen en andere personen tijdens het gebruik van de machine op afstand.** U kunt de controle over het apparaat verliezen als u afgeleid wordt.

Elektrische veiligheid

- **De aansluitstekkers van de machine moeten in het stopcontact passen. Wijzig nooit de stekker. Gebruik geen adapterstekkers samen met geaarde machines.** Ongewijzigde stekkers en overeenkomende stopcontacten verkleinen het risico op elektrische schokken.
- **Vermijd lichamelijke contact met geaarde oppervlakken, zoals buizen, radiatoren, fornuizen en koelkasten.** Er is een verhoogd risico op elektrische schokken als uw lichaam geaard is.
- **Houd machines uit de buurt van regen of vocht.** Het binnendringen van water in een machine verhoogt het risico op een elektrische schok.
- **Gebruik de kabel niet voor oneigenlijke doeleinden. Gebruik de kabel nooit om de machine te dragen, te trekken of om de stekker uit het stopcontact te trekken. Houd de kabel uit de buurt van warmte, olie, scherpe randen en bewegende onderdelen.** Beschadigde of in de knoop geraakte kabels verhogen het risico op elektrische schokken.
- **Wanneer u met een machine in de openlucht werkt, dient u alleen verlengsnoeren te gebruiken die ook geschikt zijn voor gebruik buitenshuis.** Het gebruik van een kabel die geschikt is voor gebruik buitenshuis, vermindert het risico op elektrische schokken.
- **Als gebruik van een machine in een vochtige omgeving onvermijdelijk is, gebruik dan een netvoeding met aardlekschakelaar (RCD).** Het gebruik van een aardlekschakelaar vermindert het risico op elektrische schokken.

Persoonlijke veiligheid

- **Wees attent! Let op wat u doet en ga verstandig aan het werk met een machine. Gebruik geen machine wanneer u moe bent of onder invloed staat van drugs, alcohol of medicijnen.** Eén moment van onoplettendheid bij het gebruik van machines kan leiden tot ernstige verwondingen.
- **Maak altijd gebruik van persoonlijke beschermingsmiddelen. Draag altijd oogbescherming.** Beschermingsmiddelen zoals een stofmasker, veiligheidsschoenen met antislipprofiel, een veiligheidshelm of gehoorbescherming in relevante werkomstandigheden beperken letsel.
- **Voorkom een onbedoelde start. Zorg ervoor dat de schakelaar in de stand OFF staat voordat u de machine aansluit op een spanningsbron en/of accupack, oppakt of draagt.** Wanneer u uw vingers tijdens het dragen van machines op de schakelaar houdt of de machine ingeschakeld op

de stroomvoorziening aansluit, kan dat leiden tot ongevallen.

- **Verwijder instelgereedschappen of stelsleutels voordat u de machine inschakelt.** Gereedschap of sleutels die zich in een draaiend onderdeel van de machine bevinden, kunnen verwondingen veroorzaken.
- **Voorkom overstrekken. Zorg dat u te allen tijde stevig en in balans staat.** Daardoor hebt u de machine in onverwachte situaties beter onder controle.
- **Draag geschikte kleding. Draag geen losse kleding of sieraden. Houd uw haar en kleding uit de buurt van bewegende onderdelen.** Losse kleding, sieraden of lang haar kunnen verstrikt raken in bewegende onderdelen.
- **Als de mogelijkheid bestaat voor het opvangen van stof moet u ervoor zorgen dat deze is aangesloten en op de juiste wijze wordt gebruikt.** Het gebruik van stofopvang kan stofgerelateerde gevaren beperken.
- **Laat de vertrouwdheid met de door u gebruikte machines door het frequente gebruik ervan niet toe leiden dat u de veiligheidsprincipes negeert.** Een onzorgvuldige handeling kan binnen een fractie van een seconde leiden tot ernstig letsel.

Gebruik en behandeling van machine

- **Overbelast de machine niet. Gebruik de juiste machine voor uw toepassing.** Met de juiste machine werkt u beter en veiliger binnen het vermelde vermogensbereik.
- **Gebruik geen machine waarvan de schakelaar defect is.** Machines die niet meer in- of uitgeschakeld kan worden, zijn gevaarlijk en moeten worden gerepareerd.
- **Haal de stekker uit het stopcontact en/of verwijder het accupack, indien verwijderbaar, van de machine voordat u aanpassingen maakt, accessoires verwisselt of machines opbergt.** Deze voorzorgsmaatregel verhindert dat de machine onopzettelijk start.
- **Berg ongebruikte machines buiten reikwijdte van kinderen op. Laat de machine niet gebruiken door personen die hiermee niet vertrouwd zijn of die deze instructies niet hebben gelezen.** Machines zijn gevaarlijk wanneer ze door onervaren personen worden gebruikt.
- **Voer onderhoud uit op machines en accessoires. Controleer op onjuiste montage of vastlozen van bewegende delen, gebroken onderdelen en andere condities die de werking van de machine kunnen beïnvloeden. Laat beschadigde onderdelen repareren alvorens de machine te gebruiken.** Veel ongevallen vinden hun oorzaak in slecht onderhouden machines.
- **Houd snijgereedschappen scherp en schoon.** Goed onderhouden snijmachines met scherpe snijranden zullen minder gauw vastlopen en zijn eenvoudiger onder controle te houden.

- **Gebruik de machine, accessoires, bits en dergelijke overeenkomstig deze instructies. Houd daarbij rekening met de werkomstandigheden en de uit te voeren werkzaamheden.** Het gebruik van de machine voor andere dan de voorziene toepassingen kan leiden tot gevaarlijke situaties.
- **Houd de handgrepen en grijppoppervlakken droog, schoon en vrij van olie en vet.** Gladde handgrepen en handgriepvlakken maken in onverwachte situaties geen veilige bediening en controle van het elektrische gereedschap mogelijk.

Gebruik en onderhoud van machines met accuvoeding

- **Laad het gereedschap alleen op met de lader die door de fabrikant is gespecificeerd.** Een lader die voor een bepaald type accu geschikt is, kan een risico op brand creëren als de lader met een andere accu wordt gebruikt.
- **Gebruik alleen de accupacks die bestemd zijn voor de bijbehorende machine.** Als er andere accupacks worden gebruikt, bestaat er risico op letsel en brand.
- **Als het accupack niet gebruikt wordt, houd hem dan uit de buurt van andere metalen voorwerpen, zoals paperclips, munten, sleutels, spijkers, schroeven of andere kleine metalen voorwerpen die een verbinding tussen de accuaansluitingen ontstaat, kunnen er brandwonden of brand ontstaan.**
- **Als het accupack verkeerd wordt gebruikt, kan er vloeistof uit de accu komen; zorg dat u deze niet aanraakt. Als u per ongeluk in contact komt met de vloeistof, afspoelen met water. Als er vloeistof in de ogen komt dient u medische hulp in te roepen.** Vloeistof die uit de accu komt kan irritatie of brandwonden veroorzaken.
- **Gebruik geen accu of machine die is beschadigd of aangepast.** Beschadigde of aangepaste accu's kunnen onvoorspelbaar gedrag vertonen, wat kan leiden tot brand, explosies of letsel.
- **Stel de accu of machine niet bloot aan vuur of hoge temperaturen.** Blootstelling aan vuur of temperaturen hoger dan 130 °C kan een explosie veroorzaken.
- **Volg alle oplaadinstructies op en laad de accu of machine niet op bij temperaturen die buiten het in de instructies gespecificeerde bereik liggen.** Door onjuist opladen of opladen bij temperaturen die buiten het gespecificeerde bereik liggen, kan de accu beschadigd raken en neemt het risico op brand toe.

Service

- **Laat uw machine onderhouden door een gekwalificeerde onderhoudsmonteur met gebruikmaking van uitsluitend identieke vervangende onderdelen.** Hierdoor blijft de veiligheid van de machine gehandhaafd.
- **Voer nooit onderhoud uit aan beschadigde accupacks.** Onderhoud aan accupacks mag

alleen worden uitgevoerd door de fabrikant of geautoriseerde dienstverleners.

Veiligheidswaarschuwingen voor grastrimmer

- **Gebruik de machine niet bij slechte weersomstandigheden, vooral wanneer er een risico op blikseminslag.**
- **Inspecteer het gebied waar de machine wordt gebruikt grondig op wilde dieren.** Wilde dieren kunnen tijdens gebruik gewond raken door de machine.
- **Onderwerp het gebied waar de machine gebruikt gaat worden aan een grondige inspectie en verwijder alle stenen, stokken, draden, beenderen, en andere voorwerpen.** Weggeslingerde objecten kunnen lichamelijk letsel veroorzaken.
- **Voer voorafgaand aan gebruik altijd een visuele inspectie uit om te controleren of de doorslijper of het blad en de doorslijper- of bladenheid niet beschadigd zijn.** Beschadigde onderdelen verhogen het risico op letsel.
- **Volg de instructies voor het wijzigen van accessoires.** Onjuist vastgezette bladborgmoeren of -bouten kunnen het blad beschadigen of ertoe leiden dat het losraakt.
- **Draag oog-, oor-, hoofd- en handbescherming.** Als u een geschikte beschermende uitrusting draagt, neemt de kans op letsel door rondvliegend vuil of onbedoeld contact met de doorslijper of lijnen af.
- **Draag tijdens het bedienen van de machine altijd beschermend schoeisel met antislipzool. Bedien de machine niet op blote voeten of met open sandalen aan.** Dit vermindert de kans op letsel aan de voeten door contact met een bewegende doorslijper of lijnen.
- **Draag tijdens de bediening van de machine altijd een lange broek.** Blootliggende huid verhoogt de kans op letsel door weggeslingerde voorwerpen.
- **Houd omstanders uit de buurt tijdens het bedienen van de machine.** Wegslingerend afval kan leiden tot ernstig persoonlijk letsel.
- **Gebruik altijd twee handen bij het bedienen van de machine.** Houd de machine met beide handen vast om te voorkomen dat u de controle verliest.
- **Houd de machine alleen vast aan de geïsoleerde handgrepen, omdat de snijlijn of het blad verborgen bedrading kan raken.** Als de snijlijn of bladen een onder stroom staande draad aanraakt, kan dit ervoor zorgen dat niet-geïsoleerde delen van de machine onder stroom komen, waardoor de gebruiker een elektrische schok kan krijgen.
- **Ga altijd goed staan en bedien de machine alleen terwijl u op de grond staat.** Gladde of onstabiele oppervlakken kunnen ervoor zorgen dat u uw evenwicht of de controle over de machine verliest.
- **Gebruik de machine niet op extreem steile hellingen.** Dit verkleint het risico van controleverlies, uitglijden en vallen, wat kan leiden tot lichamelijk letsel.

- **Wees bij het werken op hellingen altijd zeker van uw grip, werk altijd dwars over het oppervlak van hellingen, nooit omhoog of omlaag en wees uiterst voorzichtig wanneer u van richting verandert.** Dit verkleint het risico van controleverlies, uitglijden en vallen, wat kan leiden tot lichamelijk letsel.
- **Houd alle lichaamsdelen uit de buurt van de doorslijper, de lijn of het blad als de machine in werking is. Voordat u de machine start, zorgt u ervoor dat de doorslijper, de lijn of het blad nergens contact mee maakt.** Een moment van onoplettendheid tijdens het gebruik van de machine kan leiden tot letsel bij uzelf of anderen.
- **Gebruik de machine niet boven heuphoogte.** Zo voorkomt u onbedoeld contact met de doorslijper of het blad en houdt u de machine in onverwachte situaties beter onder controle.
- **Als u struiken of jonge bomen doorzaagt die onder spanning staat, zorg dan dat de tak u niet kan raken.** Als de spanning in de houtvezels vrijkomt, kan de struik of jonge boom de gebruiker raken en/of ervoor zorgen dat de gebruiker de machine niet meer onder controle heeft.
- **Wees zeer voorzichtig als u struiken en jonge bomen zaagt.** Het blad kan vast komen te zitten in het dunne materiaal en naar u toe zwiepen of u uit uw evenwicht brengen.
- **Houd de controle over de machine en raak doorslijpers, lijnen of bladen en andere gevaarlijke bewegende delen niet aan terwijl ze nog in beweging zijn.** Dit verlaagt het risico op letsel door bewegende delen.
- **Draag de machine van uw lichaam af en zorg ervoor dat deze uitgeschakeld is.** Op de juiste manier omgaan met de machine vermindert de kans op onbedoeld contact met de bewegende doorslijper, lijn of blad.
- **Gebruik uitsluitend vervangende doorslijpers, lijnen, snoekoppen en bladen die door de fabrikant zijn gespecificeerd.** Onjuiste vervangende onderdelen kunnen het risico op breuken en letsel verhogen.
- **Als u vastgelopen materiaal verwijdert of onderhoud aan de machine uitvoert, dient u ervoor te zorgen dat de schakelaar is uitgeschakeld en dat het accupack verwijderd is.** Indien de machine onverwacht wordt gestart tijdens het verwijderen van vastgelopen materiaal of onderhoud, kan dit leiden tot ernstig persoonlijk letsel.

Controle voor het starten

- Verwijder altijd de accu om onbedoeld starten van het product te voorkomen. Verwijder altijd de accu voordat u onderhoudswerkzaamheden aan het product uitvoert.
- Controleer het product voor gebruik en na vallen of stoten op tekenen van slijtage of beschadiging en repareer indien nodig.
- Controleer het werkgebied. Verwijder alle losse voorwerpen, zoals stenen, stukjes glas, spijkers, ijzerdraad, touw en dergelijke, die weggeslingerd

kunnen worden of vast kunnen komen zitten in de maaier of beschermkap.

- Controleer de motor op vuil en barsten. Gebruik een borstel om de motor te ontdoen van gras en bladeren. Draag handschoenen indien nodig.
- Controleer of de trimmerkop volledig op de trimmer is bevestigd.
- Controleer of het product in goede staat is. Controleer of alle moeren en bouten goed vastgedraaid zijn.
- Controleer de trimmerkop en de trimmerbeschermkap op beschadigingen en barsten. Vervang de trimmerkop of de trimmerbeschermkap indien deze zijn blootgesteld aan slagbelasting of barsten vertonen. Gebruik altijd de aanbevolen beschermkap voor die specifieke snijuitrusting. Zie het hoofdstuk Technische gegevens.
- De gebruiker van het product moet erop toezien dat er tijdens het werk geen mensen of dieren dichterbij dan 15 meter bij het product komen. Indien meerdere gebruikers in hetzelfde gebied werken, moet de veiligheidsafstand minimaal 15 meter bedragen.
- Voer voor gebruik een algemene inspectie van het product uit. Zie het onderhoudsschema.
- Mogelijk zijn landelijke of lokale wettelijke voorschriften van toepassing op het gebruik. Volg de eventuele voorschriften op.

Gebruik altijd uw gezond verstand

Het is niet mogelijk om elke mogelijke situatie te vermelden. Wees altijd voorzichtig en gebruik uw gezond verstand. Vermijd situaties die uw capaciteiten te boven gaan. Als u na het lezen van deze instructies nog vragen hebt over de bedieningsprocedures dient u een expert te raadplegen voordat u verder gaat.



WAARSCHUWING: Sta nooit toe dat kinderen de machine gebruiken of in de buurt van de machine komen. De machine start gemakkelijk, zodat kinderen deze mogelijk kunnen starten wanneer ze niet onder volledig toezicht staan. In dat geval kan er een risico op ernstig persoonlijk letsel bestaan. Koppel de accu daarom los wanneer de machine niet onder streng toezicht staat.

Algemene veiligheidsinstructies



WAARSCHUWING: Lees de volgende waarschuwingen voordat u het product gaat gebruiken.

- Verwijder de accu om onbedoeld starten van de machine te voorkomen.
- Dit product kan bij onvoorzichtig of onjuist gebruik een gevaarlijk gereedschap zijn. Dit product kan

ernstig of fataal letsel toebrengen aan de gebruiker of anderen.

- Gebruik het product niet als de oorspronkelijke specificatie is gewijzigd. Vervang geen onderdelen van het product zonder toestemming van de fabrikant. Gebruik alleen onderdelen die zijn goedgekeurd door de fabrikant. Onjuist onderhoud kan leiden tot letsel of de dood.
- Controleer het product vóór gebruik. Zie *Veiligheidsvoorzieningen op het product op pagina 282* en *Productoverzicht op pagina 277*. Gebruik geen product dat is beschadigd of niet correct werkt. Voer de in deze handleiding beschreven veiligheidscontroles en de onderhouds- en service-instructies uit.
- Kinderen moeten onder toezicht worden gehouden om er zeker van te zijn dat ze niet met het product spelen. Laat het product nooit gebruiken door kinderen of andere personen die niet zijn opgeleid voor het gebruik of onderhoud van het product en/of de accu. De minimumleeftijd van de gebruiker kan zijn vastgelegd in plaatselijke voorschriften.
- Bewaar het product in een afgesloten ruimte om toegang door kinderen of onbevoegde personen te verhinderen.
- Bewaar het product buiten het bereik van kinderen.
- De oorspronkelijke vormgeving van het product mag in geen enkel geval worden gewijzigd zonder toestemming van de fabrikant. Gebruik altijd originele accessoires. Niet goedgekeurde wijzigingen en/of niet-originele onderdelen kunnen tot ernstig persoonlijk letsel of de dood van zowel gebruiker als omstanders leiden.
- De opgegeven totale trillingswaarde is gemeten overeenkomstig een standaard testmethode en kan worden gebruikt om gereedschappen onderling te vergelijken.
- De opgegeven totale trillingswaarde kan ook worden gebruikt voor een voorlopige beoordeling van de blootstelling.
- De trillingsemmissie tijdens het feitelijke gebruik van de machine kan afwijken van de opgegeven totaalwaarde en is afhankelijk van de manier waarop het gereedschap wordt gebruikt. Om zichzelf te beschermen, moeten gebruikers de nodige veiligheidsmaatregelen nemen op basis van een schatting van de blootstelling in de feitelijke gebruiksomstandigheden. Hierbij moet rekening worden gehouden met alle elementen van de bedrijfs cyclus, dus niet alleen de tijd dat het gereedschap actief wordt gebruikt, maar ook de tijd dat het gereedschap is uitgeschakeld of stationair draait.

Let op: Landelijke of lokale wettelijke voorschriften kunnen van toepassing zijn op het gebruik. Volg de eventuele voorschriften op.

Persoonlijke beschermingsuitrusting



WAARSCHUWING: Lees de volgende waarschuwingen voordat u het product gaat gebruiken.

- Draag tijdens het gebruik van het product altijd goedgekeurde persoonlijke beschermingsuitrusting. Persoonlijke beschermingsuitrusting kunnen niet alle risico's uitsluiten maar kunnen de ernst van eventueel letsel helpen beperken. Vraag uw dealer u te helpen bij het kiezen van de juiste uitrusting.
- Gebruik goedgekeurde gehoorbescherming.

(Fig. 19)

- Gebruik goedgekeurde oogbescherming. Als u een vizier gebruikt, moet u ook een goedgekeurde veiligheidsbril gebruiken. Een goedgekeurde veiligheidsbril moet voldoen aan de norm ANSI Z87.1 voor de VS of EN 166 voor de EU-landen.

(Fig. 20)

- Draag indien nodig handschoenen, bijvoorbeeld bij het monteren, inspecteren of reinigen van de snijuitrusting.

(Fig. 21)

- Gebruik beschermende laarzen met stalen neuzen en antislipzolen.

(Fig. 22)

- Gebruik kleding van stevige stof. Gebruik altijd een zware lange broek en lange mouwen. Gebruik geen loszittende kleding die gemakkelijk kan blijven haken aan takjes en struikgewas. Gebruik geen sieraden, korte broeken of sandalen. Werk nooit met blote voeten. Bind voor de veiligheid lang haar samen tot boven schouderhoogte.
- Houd de EHBO-does in de buurt.

(Fig. 23)

Veiligheidsvoorzieningen op het product



WAARSCHUWING: Lees de volgende waarschuwingen voordat u het product gaat gebruiken.

In dit hoofdstuk worden de veiligheidsvoorzieningen van het product beschreven, welke functie ze hebben en hoe controles en onderhoud moeten worden uitgevoerd om hun goede werking te waarborgen. Zie de instructies in het hoofdstuk *Inleiding op pagina 277* om te zien waar deze onderdelen zich bevinden op uw product.

De levensduur van het product kan worden verkort en het risico op ongevallen kan toenemen wanneer het onderhoud van het product niet op de juiste manier plaatsvindt en wanneer service en/of reparaties niet vakkundig worden uitgevoerd. Indien u meer informatie nodig hebt, verzoeken wij u contact op te nemen met de dichtstbijzijnde onderhoudsdealer.



WAARSCHUWING: Gebruik een product nooit wanneer de veiligheidsvoorzieningen beschadigd zijn. De veiligheidsuitrusting van het product moet geïnspecteerd en onderhouden worden zoals beschreven in dit hoofdstuk. Als uw product een van deze controles niet doorstaat, moet u contact opnemen met uw servicewerkplaats om uw unit te laten repareren.



OPGELET: Om service en reparaties aan de machine uit te voeren, moet u een speciale opleiding hebben. Dit geldt met name voor de veiligheidsuitrusting van de machine. Als uw machine een van de volgende controles niet goed doorstaat, moet u ermee naar uw servicewerkplaats gaan. Als u één van onze producten koopt, garanderen wij de beschikbaarheid van professionele reparaties en onderhoud. Als u uw machine hebt gekocht bij één van onze dealers die geen servicewerkplaats heeft, vraag dan waar de dichtstbijzijnde erkende werkplaats is.

Toetsenbord controleren

- Houd de start/stop-knop (A) ingedrukt. (Fig. 24)
 - Het product is ingeschakeld wanneer de led (B) brandt.
 - Het product is uitgeschakeld wanneer de led (B) uit is.
- Raadpleeg *Toetsenbord op pagina 289* als het waarschuwingslampje (C) brandt of knippert.

De vergrendeling van de activeringsschakelaar controleren

De vergrendeling van de activeringsschakelaar voorkomt dat het product per ongeluk wordt gestart. Wanneer u de vergrendeling (A) van de activeringsschakelaar indrukt, wordt de activeringsschakelaar (B) vrijgegeven. Als u de handgreep loslaat, bewegen de activeringsschakelaar en de vergrendeling weer terug naar hun beginposities. (Fig. 25)

- Controleer of de activeringsschakelaar is vergrendeld wanneer de beveiliging van de activeringsschakelaar in de beginpositie staat. (Fig. 26)
- Druk op de activeringsschakelaar en controleer of deze terugkeert naar de oorspronkelijke stand wanneer u deze loslaat. (Fig. 27)
- Controleer of de activeringsschakelaar en de vergrendeling vrij kunnen bewegen en dat de retourveer juist werkt. (Fig. 28)
- Start het product. Zie *Product starten op pagina 287*.

- Geef vol gas.
- Laat de activeringsschakelaar los en zorg ervoor dat de snijuitrusting volledig stopt.

Beschermkap van de snijuitrusting controleren



WAARSCHUWING: Gebruik geen snijuitrusting zonder een goedgekeurde en correct bevestigde beschermkap. Gebruik altijd de voorgeschreven beschermkap voor de snijuitrusting die u gebruikt, zie *Technische gegevens op pagina 290*. Indien een verkeerde of defecte beschermkap voor de snijuitrusting wordt gemonteerd, kan dit ernstig lichamelijk letsel veroorzaken.

De beschermkap van de snijuitrusting houdt objecten tegen die in de richting van de gebruiker kunnen vliegen. De beschermkap voor de snijuitrusting voorkomt ook letsel dat veroorzaakt wordt als u met de snijuitrusting in contact komt.

- Stop de motor.
- Voer een visuele controle uit op beschadigingen, bijvoorbeeld scheuren.
- Vervang de beschermkap van de snijuitrusting als deze is beschadigd.

Snijuitrusting

Gebruik de juiste snijuitrusting en voer onderhoud uit aan de snijuitrusting voor:

- Optimale snijprestaties.
- Een verlengde levensduur van de snijuitrusting.



WAARSCHUWING: Gebruik een snijuitrusting alleen samen met de door ons aanbevolen beschermkappen! Zie *Goedgekeurde accessoires op pagina 292*. Zie de instructies voor de snijuitrusting voor het correct invoeren van de trimmerdraad en plastic bladen.



WAARSCHUWING: Defecte snijuitrusting kan het risico op ongevallen vergroten.



WAARSCHUWING: Schakel altijd de voeding uit voor u aan de snijuitrusting gaat werken. Deze blijft roteren nadat u de activeringsschakelaar hebt losgelaten. Controleer of de snijuitrusting volledig tot stilstand is gekomen en koppel de accu los van het product voordat u werkzaamheden gaat uitvoeren.



WAARSCHUWING: Zorg er altijd voor dat de trimmerdraad strak en gelijkmatig rond de trommel is gewikkeld om schadelijke trillingen te voorkomen.

(Fig. 29)

- Gebruik alleen de aanbevolen snijuitrusting.
- De lengte van de trimmerdraad is belangrijk. Een langere draad vereist een groter motorvermogen dan een korte, ook al is de diameter van de draad even groot.
- Zorg ervoor dat het mes op de beschermkap van de snijuitrusting intact is. Hiermee wordt de trimmerdraad op de juiste lengte gesneden.
- Om de levensduur van de trimmerdraad te verlengen, kunt u deze een paar dagen in water weken voorafgaand aan gebruik.

Veiligheid bij accu's



WAARSCHUWING: Lees de volgende waarschuwingen voordat u het product gaat gebruiken.

- Gebruik alleen de accu's uit de BLi-serie en 40-B-serie. Voor meer informatie, zie *Technische gegevens op pagina 290*. De accu is via software versleuteld.
- Gebruik accu's uit de BLi-serie en de 40-B-serie die uitsluitend oplaadbaar zijn als een voedingsbron voor de bijbehorende producten van Husqvarna. Gebruik de accu niet als voedingsbron voor andere apparaten, om letsel te voorkomen.
- Risico van elektrische schok. Breng de accuklemmen niet in contact met sleutels, munten, schroeven of ander metaal. Dit kan kortsluiting van de accu veroorzaken.
- Gebruik geen niet-oplaadbare accu's.
- Plaats geen voorwerpen in de luchtspleten van de accu.
- Bescherm de accu tegen direct zonlicht, warmte of open vuur. De accu kan brandwonden en/of chemische brandwonden veroorzaken.
- Bescherm de accu tegen regen en vocht.
- Houd de accu uit de buurt van magnetrons en hoge druk.
- Probeer de accu niet te demonteren of te slopen.
- Als er een accu lekt, zorg er dan voor dat de vloeistof niet in aanraking komt met uw huid of ogen. Als u in aanraking bent gekomen met de vloeistof, reinig het oppervlak dan met een ruime hoeveelheid water en zeep en raadpleeg een arts. Wrijf niet in uw ogen wanneer u vloeistof in uw ogen krijgt, maar spoel uw ogen minstens 15 minuten met water en raadpleeg een arts.

- Gebruik de accu bij temperaturen tussen -10 °C (14 °F) en 40 °C (114 °F).
- Reinig de accu of acculader nooit met water. Zie *Product, accu en acculader reinigen op pagina 289*.
- Gebruik geen defecte of beschadigde accu.
- Sla accu's op uit de buurt van metalen voorwerpen, bijvoorbeeld spijkers, schroeven en sieraden.
- Houd de accu buiten het bereik van kinderen.

Veiligheidsvoorschriften voor acculader



WAARSCHUWING: Lees de volgende waarschuwingen voordat u het product gaat gebruiken.

- Risico van elektrische schok of kortsluiting wanneer de veiligheidsinstructies niet worden opgevolgd.
- Gebruik geen andere acculader dan die bij uw product is geleverd. Gebruik uitsluitend QC80 en 40-C80-laders wanneer u vervangende accu's uit de BLi-serie en de 40-B-serie oplaadt.
- Probeer de acculader niet te demonteren.
- Gebruik geen defecte of beschadigde acculader.
- Til de acculader niet op aan de voedingskabel. Trek aan de stekker om de acculader uit de wandcontactdoos te halen. Trek niet aan de voedingskabel.
- Houd alle kabels en verlengsnoeren uit de buurt van water, olie en scherpe kanten. Let op dat de kabel niet bekneld raakt tussen objecten zoals deuren, hekken en dergelijke.
- Gebruik de acculader niet in de buurt van brandbare materialen of materialen die corrosie kunnen veroorzaken. Controleer of de acculader niet is afgedekt. Haal de stekker van de acculader uit de wandcontactdoos bij rookontwikkeling of brand.
- De accu mag alleen binnenshuis worden opgeladen op een plek met voldoende ventilatie en zonder direct zonlicht. Laad de accu niet buiten op. Laad de accu niet op in vochtige omstandigheden.
- Gebruik de acculader alleen op plekken met een temperatuur tussen 5 °C (41 °F) en 40 °C (104 °F). Gebruik de lader in een omgeving die goed geventileerd, droog en stofvrij is.
- Plaats geen voorwerpen in de koelspleten van de acculader.
- Verbind de contacten van de acculader niet met metalen objecten, omdat dit kortsluiting in de acculader kan veroorzaken.
- Gebruik goedgekeurde stopcontacten die niet beschadigd zijn. Controleer of de kabel van de acculader niet beschadigd is. Als er verlengkabels worden gebruikt, zorg er dan voor dat deze niet beschadigd zijn.
- Laad niet-oplaadbare accu's niet op in de acculaders.

Veiligheidsinstructies voor onderhoud



WAARSCHUWING: Lees de volgende waarschuwingen voordat u onderhoud aan het product gaat uitvoeren.

- Verwijder de accu voordat u onderhoud of andere controles uitvoert, of het product demonteert.
 - De gebruiker mag alleen de onderhouds- en servicewerkzaamheden uitvoeren die in deze bedieningshandleiding zijn beschreven. Ga naar uw servicedealer voor verdergaande service- of onderhoudswerkzaamheden.
 - Reinig de accu of acculader nooit met water. Sterke reinigingsmiddelen kunnen schade aan het kunststof veroorzaken.
- Als u geen onderhoud uitvoert, verkort dit de levenscyclus van het product en vergroot het risico op ongevallen.
 - Voor alle service en reparaties is speciale training vereist, vooral voor de veiligheidsvoorzieningen op het product. Als niet alle controles in deze bedieningshandleiding een goed resultaat geven nadat u onderhoud hebt uitgevoerd, ga dan naar uw servicedealer. Wij garanderen dat u daar professionele reparaties en service voor uw product krijgt.
 - Gebruik alleen originele reserveonderdelen.

Montage

Inleiding



WAARSCHUWING: Zorg dat u het hoofdstuk over veiligheid hebt gelezen en begrepen voordat u het apparaat monteert.

De beschermkap van de snijuitrusting bevestigen

1. Plaats de beschermkap van de snijuitrusting tegen de wielmotorkast. (Fig. 30)
2. Controleer de borghaken. (Fig. 31)
3. Draai de bout vast. Gebruik een combinatietang. (Fig. 32)
4. Draai de bout vast.

De snijuitrusting wijzigen

1. Breng de combinatiesleutel aan in de opening om de as te vergrendelen. (Fig. 33)
2. Draai de snijuitrusting en duw voorzichtig tegen de combinatiesleutel tot de uitgaande as geblokkeerd is.
3. Draai de snijuitrusting rechtsonder om deze te verwijderen. Zorg ervoor dat de meenemer op zijn plaats zit voordat u de snijuitrusting monteert. (Fig. 34)
4. Monteer de nieuwe snijuitrusting in de omgekeerde volgorde. (Fig. 35) (Fig. 36)

Let op: Zorg ervoor dat de schijfaandrijving correct op zijn plaats zit voordat u de snijuitrusting monteert.

De plantbeschermer installeren

1. Installeer de plantbeschermer in de gaten op de wielmotorkast. (Fig. 37)
2. Controleer of de plantbeschermer vrij naar voren en naar achteren kan bewegen. (Fig. 38)

Lusgreep monteren

1. Breng de schroef aan in de lusgreep. (Fig. 39)
2. Monteer de lusgreep op de uitrusting op de as.
3. Draai de schroeven vast.
4. Stel de lusgreep in de juiste stand af. Zie *De lusgreep en de telescopische as afstellen op pagina 287*.

De acculader 40-C80 aan de wand bevestigen



OPGELET: Gebruik geen elektrische schroevendraaier om de acculader aan de wand te bevestigen. Een elektrische schroevendraaier kan de acculader beschadigen.

1. Bevestig de acculader met de 2 schroeven (A) aan de wand. Gebruik wandpluggen (B) indien nodig. (Fig. 40)
2. Plaats de 2 schroefgatpluggen (C).
3. Sluit de voedingskabel (D) aan op de acculader en een stopcontact.

Werking

Inleiding



WAARSCHUWING: Zorg dat u het hoofdstuk over veiligheid hebt gelezen en begrepen voordat u het product gebruikt.

Voordat u het product gaat bedienen

- Bekijk het werkgebied zodat u weet welk type terrein het is. Bekijk de helling van de ondergrond en of er obstakels zijn zoals stenen, takken en greppels.
- Voer een algemene inspectie van het product uit.
- Voer de veiligheidsinspecties, onderhoud en servicebeurten uit die in deze handleiding worden aangegeven.
- Controleer de motor op vuil en barsten. Gebruik een borstel om gras en bladeren van de motor te verwijderen. Gebruik indien nodig handschoenen.
- Controleer de trimmerkop en de beschermkap voor de snijuitrusting op beschadigingen of scheuren. Vervang de trimmerkop en de beschermkap voor de snijuitrusting als ze geraakt zijn of scheuren hebben.
- Controleer of alle moeren en schroeven goed zijn vastgedraaid.
- Zorg voordat u het product start dat alle afschermingen en beschermkappen, handgrepen

en de snijuitrusting correct zijn aangebracht en onbeschadigd zijn.

Accu



WAARSCHUWING: Zorg dat u het hoofdstuk over veiligheid hebt gelezen en begrepen voordat u de accu gebruikt. Zorg er ook voor dat u de bedieningshandleiding bij de accu en de acculader hebt gelezen en begrepen.

Houd de accu en de acculader in de correcte omgevingstemperaturen.

	Omgevingstemperatuur
Gebruik van het product	-5 °C-40 °C/23 °F-104 °F
Accu laden	5 °C-40 °C/41 °F-104 °F

Accustatus

Het display toont de laadstatus en geeft aan of er problemen zijn met de accu.

(Fig. 41)

Led-indicator	Accustatus (laadstatus)	
	BLi10, BLi20	40-B70, 40-B140
4 leds branden	N.v.t.	De accu is 76% - 100% opgeladen.
3 leds branden	De accu is 76% - 100% opgeladen.	De accu is 51% - 75% opgeladen.
2 leds branden	De accu is 51% - 75% opgeladen.	De accu is 26% - 50% opgeladen.
1 led brandt	De accu is 26% - 50% opgeladen.	De accu is 6% - 25% opgeladen.
1 led knippert	De accu is 0% - 25% opgeladen.	De accu is 0% - 5% opgeladen.

De accu opladen

Laad de accu op als u deze voor de eerste keer gebruikt. Een nieuwe accu is slechts 30% opgeladen.



OPGELET: Sluit de acculader aan op een stopcontact waarvan de spanning en frequentie overeenkomen met de specificaties op het productplaatje.

De accu wordt niet opgeladen als de temperatuur van de accu hoger is dan 50 °C/122 °F.

1. Sluit de voedingskabel aan op de acculader.

2. Sluit de acculader aan op een geaard stopcontact. De oplaadled knippert 1 keer. (Fig. 42)
3. Sluit de accu aan op de acculader. De oplaadled gaat branden. Laad de accu max. 24 uur op. (Fig. 43)
4. Druk op de accu-indicatielamp, wanneer alle led-indicatielampjes branden, is de accu volledig geladen.
5. Haal de stekker uit het stopcontact om de acculader van het stopcontact los te koppelen. Trek niet aan de voedingskabel.
6. Haal de accu uit de acculader.

De accu aansluiten op het product



WAARSCHUWING: Gebruik uitsluitend de originele Husqvarna-accu voor het product.

1. Laad de accu volledig op.
2. Druk de accu in de accuhouder van het product. De accu is in positie vergrendeld als u een klik hoort. (Fig. 44)



OPGELET: Als u de accu niet eenvoudig in de accuhouder kunt plaatsen, is de batterij niet correct geïnstalleerd. Dit kan schade aan het product veroorzaken.

Product starten

1. Houd de start-/stopknop ingedrukt totdat de groene led gaat branden. (Fig. 45)
2. Druk de vergrendeling van de activeringsschakelaar en de activeringsschakelaar in. De snijuitrusting begint te draaien.

De lusgreep en de telescopische as afstellen

1. Zet de vergrendelingshendel los en zet de lusgreep in de gewenste stand. (Fig. 46)
2. Sluit de vergrendelingshendel.
3. Maak de hendel op de as los. (Fig. 47)
4. Stel de as af op de gewenste lengte. Zorg ervoor dat u de driehoek op de steel kunt zien. (Fig. 48)
5. Sluit de hendel en draai de schroef vast.

Let op: Bevestig de lusgreep niet op de waarschuwingsplaatjes op de steel.

De functie SavE gebruiken

Dit product heeft een accubesparingsfunctie (SavE).

Let op: De SavE-functie zorgt niet voor een lagere zaagkracht van het product.

1. Druk op de SavE-knop op het toetsenblok.
2. Controleer of de groene LED gaat branden.
3. Druk nogmaals op de SavE-knop om de functie uit te schakelen. De groene led gaat uit. (Fig. 49)

Automatische uitschakelfunctie

Het product heeft een uitschakelfunctie die het product stopt als het product niet wordt gebruikt. De groene led voor start/stop-indicatie gaat uit en het product stopt na 180 seconden.

Het product gebruiken

Gras maaien

1. Zorg dat de plastic bladen of trimmerdraad parallel zijn aan de grond wanneer u het gras maait. (Fig. 50)
2. Duw de Tri-Cut of trimmerkop niet op de grond. Dit kan schade aan het product veroorzaken.

Let op: Een lage omgevingstemperatuur in de buurt van 0° C kan ertoe leiden dat het blad of de trimmerdraad breekt.

3. Beweeg het product van de ene naar de andere zijde wanneer u grasmaait. (Fig. 51)

Let op: Gebruik het product niet met een beschadigde snijuitrusting. Een beschadigde snijuitrusting kan onbalans veroorzaken die het product kan beschadigen.

Gras vegen

De luchtstroom van de roterende plastic bladen of trimmerdraad kan worden gebruikt om maaisel uit een gebied te verwijderen.

1. Houd de trimmerkop, de plastic bladen of de trimmerdraad parallel aan de grond en boven de grond.
2. Geef volgas.
3. Beweeg de snijuitrusting van de ene naar de andere kant en veeg het gras.



WAARSCHUWING: Reinig de beschermkap van de snijuitrusting altijd wanneer u nieuwe plastic bladen of een nieuwe trimmerdraad monteert, om onbalans en trillingen in de handgrepen te voorkomen. Controleer ook de andere onderdelen van de snijuitrusting en reinig deze indien nodig.

Om dicht bij objecten te trimmen

1. Trek de plantbeschermer omlaag. (Fig. 52)
2. Gebruik de plantbeschermer om schade aan andere objecten te voorkomen. (Fig. 53)

Product stoppen

1. Laat de activeringsschakelaar en de vergrendeling van de activeringsschakelaar los.
2. Druk op de start/stop-knop totdat de groene led uit gaat.
3. Druk op de ontgrendelknoppen op de accu en verwijder de accu uit het product. (Fig. 54)

De plastic bladen of de trimmerdraad vervangen

Zie de laatste pagina's van deze bedieningshandleiding.

Onderhoud

Inleiding



WAARSCHUWING: Zorg dat u het hoofdstuk over veiligheid hebt gelezen en begrepen voordat u onderhoud aan het product gaat uitvoeren.

Onderhoudsschema



WAARSCHUWING: Verwijder de accu voordat u onderhoud uitvoert.

Hieronder volgt een lijst van het onderhoud dat u aan het product moet uitvoeren. Zie *Productoverzicht op pagina 277* voor meer informatie.

Onderhoud	Elke dag	Wekelijks	Maandelijks
Reinig de externe onderdelen van het product met een droge doek. Gebruik geen water.	X		
Controleer of de start- en stop-knop correct werkt en niet beschadigd is.	X		
Controleer of de voedingsschakelaar en de vergrendeling van de voedingsschakelaar correct werken vanuit veiligheids oogpunt.	X		
Zorg ervoor dat de handgrepen droog en schoon zijn.	X		
Controleer of de beschermkap voor snijuitrusting niet is beschadigd. Vervang de beschermkap van de snijuitrusting als deze is beschadigd.	X		
Controleer of de hendel of handgreep niet beschadigd is en goed is bevestigd.	X		
Controleer het vergrendelingsmechanisme van de telescopische as. Zie <i>Het vergrendelmechanisme van de telescopische as controleren op pagina 289</i> .	X		
Controleer de acculader om ervoor te zorgen dat deze juist functioneert en niet beschadigd is.	X		
Controleer of de accu niet beschadigd is.	X		
Zorg ervoor dat de accu is opgeladen.	X		
Controleer of de acculader niet beschadigd is.	X		
Controleer of de externe schroeven en moeren goed zijn vastgedraaid.		X	
Controleer of de ontgrendelknoppen op de accu correct werken en vergrendel de accu in het product.		X	
Controleer of er vet in de spoel van de trimmerkop zit.		X	
Reinig en controleer de verbindingen tussen de accu en het product.			X
Reinig en controleer de verbinding tussen de accu en de acculader.			X

Accu en acculader controleren

1. Controleer de accu op beschadigingen, bijvoorbeeld scheuren.

2. Controleer de acculader op beschadigingen, bijvoorbeeld scheuren.

3. Controleer of de aansluitkabel van de acculader niet beschadigd of gescheurd is.

Product, accu en acculader reinigen

1. Reinig het product met een droge doek na gebruik.
2. Reinig de accu en acculader met een droge doek. Houd de accugeleiderails schoon.
3. Zorg ervoor dat de aansluitingen van de accu en de acculader schoon zijn voor dat de accu in de acculader of het product wordt geplaatst.

De Tri-Cut controleren en vervangen

1. Controleer de Tri-Cut op beschadiging en barsten.

2. Verwijder de Tri-Cut. Raadpleeg "De Tri-Cut verwijderen" op de laatste pagina van de gebruikershandleiding.
3. Zet de Tri-Cut in elkaar. Zie De snijuitrusting wijzigen op pagina 285.

Het vergrendelmechanisme van de telescopische as controleren

1. Controleer het vergrendelmechanisme van de telescopische as.
2. Pas de koppelkracht aan. (Fig. 55)

Probleemoplossing

Toetsenbord

LED-scherm	Mogelijke fouten	Mogelijke oplossingen
De fout-led knippert.	Overbelasting	De snijuitrusting kan niet vrij bewegen. Haal de snijuitrusting los.
	Temperatuurafwijking	Laat het product afkoelen.
Het product start niet.	Druk op de activeringsschakelaar en druk tegelijkertijd op de startknop.	Laat de activeringsschakelaar los en stop het product.
De fout-led licht rood op.	Het product moet worden onderhouden	Neem contact op met uw servicedealer.

Accu

Led-display	Mogelijke fouten	Mogelijke actie
De groene led knippert.	Lage accuspanning.	Laad de accu op.
De fout-led knippert.	Temperatuurafwijking.	Gebruik de accu bij temperaturen tussen -10°C (14°F) en 40°C (104°F).
	Spanning te hoog.	Controleer of de netspanning overeenkomt met de spanning die is aangegeven op het typeplaatje op het product. Haal de accu uit de acculader.
De fout-led brandt.	Celverschil te groot (1 V).	Neem contact op met uw servicedealer.

Acculader

Probleem	Mogelijke fouten	Mogelijke oplossing
De oplaadled is rood.	Permanente acculaderfout.	Neem contact op met uw dealer.

Probleem	Mogelijke fouten	Mogelijke oplossing
De oplaadled knippert groen.	Temperatuurafwijking, de accu is te koud of te heet om te gebruiken of op te laden.	Laat de accu afkoelen of warm worden. Als de accu de juiste temperatuur heeft, kan deze weer worden gebruikt of opgeladen. Gebruik de acculader bij omgevingstemperaturen tussen 5 °C en 40 °C.
De oplaadled knippert rood.	Defecte accu.	Neem contact op met uw dealer.

Vervoer, opslag en verwerking

Transport en opslag

- De meegeleverde Li-ion-accu's voldoen aan de wettelijke vereisten voor gevaarlijke goederen.
- Neem de bijzondere voorschriften op de verpakking en labels voor commercieel transport in acht. Dit geldt ook voor derden en expediteurs.
- Neem contact op met een persoon die gespecialiseerd is op het gebied van gevaarlijke stoffen voordat u het product verzendt. Neem alle van toepassing zijnde nationale voorschriften in acht.
- Breng tape aan op blootliggende aansluitingen wanneer u de accu in een pakket plaatst. Plaats de accu strak in het pakket om beweging te voorkomen.
- Verwijder de accu bij opslag of vervoer.
- Plaats de accu en de acculader in een droge, vocht- en vorstvrije ruimte.
- Bewaar de accu niet op plaatsen waar statische elektriciteit aanwezig is. Bewaar de accu niet in een metalen doos.
- Bewaar de accu op een plaats met een temperatuur tussen 5 °C en 25 °C en niet in direct zonlicht.
- Bewaar de acculader op een plaats met een temperatuur tussen 5 °C en 45 °C en niet in direct zonlicht.
- Gebruik de acculader alleen als de omgevingstemperatuur tussen 5 °C en 40 °C ligt.

- Laad de accu op tussen de 30% en 50% voorafgaand aan langdurige opslag.
- Berg de acculader op in een ruimte die afgesloten en droog is.
- Bewaar de accu niet in de buurt van de acculader. Laat kinderen en andere onbevoegde personen niet aan de apparatuur komen. Bewaar de apparatuur in een ruimte die u kunt afsluiten.
- Reinig het product en voer een volledige onderhoudsbeurt uit voordat u het product voor langere tijd opslaat.
- Gebruik de transportbescherming op het product om letsel bij personen of schade aan het product tijdens vervoer en opslag te voorkomen.
- Bevestig het product stevig tijdens vervoer.

Accu, acculader en product afvoeren

Symbolen op het product of op de verpakking van het product geven aan dat dit product geen huishoudelijk afval is. Lever het in bij een recyclepunt voor elektrische en elektronische apparatuur. Dit voorkomt vervuiling van het milieu en letsel bij personen.

Neem contact op met uw lokale autoriteiten, afvalverwerkingsbedrijf of dealer voor meer informatie over het recyclen van uw product.

Technische gegevens

Technische gegevens

	215L-TC
Motor	
Motortype	BLDC
Toerental van uitgaande as, tpm	6800
Maaibreedte, mm	255

	215iL-TC
Gewicht	
Gewicht zonder accu, kg	2,9
Geluidsemissies ⁴⁹	
Geluidsvermogensniveau, gemeten dB(A)	90,8
Geluidsvermogensniveau, gegarandeerd L _{WA} dB (A)	93
Geluidsniveaus ⁵⁰	
Equivalent geluidsdruk niveau bij het oor van de gebruiker, gemeten volgens IEC 62841-4-4, dB (A)	81,3
Trillingsniveau ⁵¹	
Trillingsniveaus in de handgrepen, gemeten volgens IEC 62841-4-4, m/s ²	3,0/2,7
Voorzien van trimmerkop (origineel), voor/achter.	

Goedgekeurde accu's voor het product

Accu	BLi10		BLi20		40-B70	40-B140
Type	Lithium-ion		Lithium-ion		Lithium-ion	Lithium-ion
Accucapaciteit, Ah	Raadpleeg het plaatje met de accugegevens		Raadpleeg het plaatje met de accugegevens		Raadpleeg het plaatje met de accugegevens	Raadpleeg het plaatje met de accugegevens
Nominale spanning, V	36	36,5	36	36,5	36	36
Gewicht, lb/kg	0,7	0,7	1,2	1,2	0,8	1,25

Goedgekeurde acculaders voor het product

Acculader	QC80	40-C80
Netspanning, V	100-240	100-240
Frequentie, Hz	50-60	50-60
Vermogen, W	100	72

⁴⁹ Geluidsemissie naar de omgeving gemeten als geluidsvermogen (L_{WA}) volgens EG-richtlijn 2000/14/EG. Het verschil tussen gegarandeerd en gemeten geluidsvermogen is dat het gegarandeerde geluidsvermogen ook spreiding in het meetresultaat omvat en de verschillen tussen de verschillende machines van hetzelfde model conform Richtlijn 2000/14/EG.

⁵⁰ De gerapporteerde gegevens voor een vergelijkbaar geluidsdruk niveau voor de machine vertonen een typische statistische spreiding (standaardafwijking) van 3 dB(A).

⁵¹ De gerapporteerde gegevens voor een trillingsniveau vertonen een typische statistische spreiding (standaardafwijking) van 1,5 m/s².

Acculader	QC80	40-C80
Uitgangsspanning, V d.c./ Ampère, A	36/2	43/1,6

Accessoires

Goedgekeurde accessoires

Goedgekeurde accessoires	Type	Beschermkap voor de snijuitrusting, artikelnr.
Trimmerkop	R25B (Ø 2 mm draad)	529 96 69-01
Trimmerkop	Tri-Cut B (255 mm)	529 96 69-01

Verklaring van overeenstemming

EU-verklaring van overeenstemming

Wij, **Husqvarna AB**, SE-561 82 Huskvarna, Zweden, tel: +46-36-146500, verklaren onder onze alleenverantwoordelijkheid dat het product:

Beschrijving	Grastrimmer met accu
Merk	Husqvarna
Type/model	215iL-TC
Identificatie	Serienummers vanaf 2025 en verder

volledig voldoet aan de volgende EU-richtlijnen en -regelgeving:

Richtlijn / Verordening	Beschrijving
2006/42/EG	"betreffende machines"
2014/30/EU	"betreffende elektromagnetische compatibiliteit"
2000/14/EG	"betreffende de geluidsemissies in het milieu"
2011/65/EU	"inzake beperking van het gebruik van bepaalde gevaarlijke stoffen in elektrische en elektronische apparatuur"

en dat de volgende normen en/of technische specificaties zijn toegepast: EN 62841-1:2015+A11:2022, IEC 62841-4-4:2020, EN ISO 12100:2010, EN IEC 63000:2018, EN IEC 55014-1:2021; EN IEC 55014-2:2021.

Aangemelde instantie: 0036 TÜV SÜD Industrie Service GmbH, Westendstraße 199, 80686 München, Germany is gecertificeerd conform Richtlijn 2000/14/EG van de Raad, beoordelingsprocedure voor conformiteit: Bijlage VI.

Voor informatie over geluidsemissies, zie *Technische gegevens op pagina 290*.

Huskvarna, 2025-01-10



Claes Losdal, R&D Manager, Husqvarna AB

Verantwoordelijk voor technische documentatie



INNHold

Innledning.....	294	Transport, oppbevaring og avhending.....	306
Sikkerhet.....	295	Tekniske data.....	306
Montering.....	301	Tilbehør.....	308
Drift.....	302	Samsvarserklæring.....	309
Vedlikehold.....	304	Vedlegg	478
Feilsøking.....	305		

Innledning

Produktbeskrivelse

Husqvarna 215iL-TC er en batteridrevet gresstrimmer med en elektrisk motor.

Det pågår et kontinuerlig arbeid for å øke sikkerheten og effektiviteten din under bruk. Kontakt serviceforhandleren din for mer informasjon.

Bruksområder

Produktet brukes med ikke-metalliske plastkniver. Ikke bruk produktet til andre oppgaver enn å klippe ugress, gress eller lignende myk vegetasjon.

Produktoversikt

(Fig. 1)

1. Trimmerhode Tri-Cut
2. Beskyttelse for skjærestyr
3. Riggør
4. Riggørjustering (teleskop)
5. Loophåndtak
6. Tastatur
7. Varsellampe for tastatur
8. Start/stopp-knapp
9. SavE-knapp
10. Kraftutløser
11. Kraftutløsesperre
12. Strøm på- og varsellampe
13. Kobling
14. Batterilader 40-C80
15. Plantevern
16. Varsellampe for batteri
17. Batteristatus
18. Batteriindikatorknapp
19. Batteriutløserknapper
20. Batteri
21. Kombinasjonsverktøy
22. Medbringerhjul
23. Bruksanvisning

Merk: Nasjonale forskrifter kan sette grenser for bruken av produktet.

Bruk kun produktet sammen med tilbehør som er godkjent av produsenten. Se *Tilbehør på side 308*.

Symboler på produktet

- (Fig. 2) ADVARSEL: Dette produktet kan være farlig og føre til alvorlig personskade eller død for brukeren eller andre. Vær forsiktig, og bruk produktet riktig.
- (Fig. 3) Les nøye gjennom bruksanvisningen, og sørg for at du har forstått instruksjonene før bruk.
- (Fig. 4) Ta på vernebriller og hørselvern.
- (Fig. 5) Må ikke utsettes for regn.
- (Fig. 6) Merking for støytuslipp til omgivelsene som i EU-direktiver og -forordninger (også inkludert lovgivning i New South Wales) og britiske forskrifter. Du finner informasjon om støytuslipp på maskinetiketten og i kapittelet Tekniske data. Gjelder bare når produktet er utstyrt med trimmertråd.
- (Fig. 7) Vær oppmerksom på objekter som kan slynges ut.
- (Fig. 8) Koble fra batteriet før vedlikehold.

(Fig. 9) Produktet og produktemballasjen er ikke restavfall. Resirkuler det på et gjenvinningsanlegg for elektrisk og elektronisk utstyr.

(Fig. 10) Dette produktet samsvarer med gjeldende EU-direktiver.

(Fig. 16) Avstanden mellom maskinen og tilskuere skal være minst 15 m (50 fot).

(Fig. 17) Ikke bruk metallblader.

yyyywwxxxx

Typeskiltet eller laseravtrykket viser serienummeret. **yyyy** er produksjonsåret, og **ww** er produksjonsuken.

(Fig. 11) Dette produktet samsvarer med gjeldende UK- direktiver.

(Fig. 12) Direktestrøm.

Symboler på batteriet og/eller batteriladeren

(Fig. 18) Lever dette produktet til et gjenvinningsanlegg for elektrisk og elektronisk utstyr. (Gjelder kun Europa)

(Fig. 13) Feilsikker transformator.

(Fig. 14) Batteriladeren skal bare brukes og oppbevares innendørs.

(Fig. 15) Dobbeltisolert.

Skader på produktet

Vi er ikke ansvarlige for skader på produktet vårt hvis:

- Produktet er reparert på feil måte.
- Produktet er reparert med deler som ikke kommer fra produsenten eller som ikke er godkjent av produsenten.
- Produktet har et tilbehør som ikke kommer fra produsenten eller som ikke er godkjent av produsenten.
- Produktet er ikke reparert på et godkjent servicesenter eller av en godkjent aktør.

Sikkerhet

Sikkerhetsdefinisjoner

Advarsler, oppfordringer og merknader brukes for å understreke spesielt viktige deler av bruksanvisningen.



ADVARSEL: Brukes hvis det er fare for personskade eller død for brukeren eller andre personer om instruksjonene i håndboken ikke følges.



OBS: Brukes hvis det er fare for skade på produktet, annet materiell eller nærliggende områder om instruksjonene i håndboken ikke følges.

Merk: Brukes for å gi mer nødvendig informasjon for en spesifikk situasjon.

Generelle sikkerhetsanvisninger for elektroverktøy



ADVARSEL: Les alle sikkerhetsadvarsler, instruksjoner, illustrasjoner og spesifikasjoner som fulgte med denne maskinen. Hvis du ikke følger alle instruksjonene som er angitt nedenfor, kan det føre til elektrisk støt, brann og/eller alvorlige skader.

Ta vare på alle advarsler og instruksjoner for fremtidig bruk.

Merk: Begrepet «maskin» i advarslene refererer til en maskin som drives av nettstrøm (med ledning) eller batteri (uten ledning).

Sikkerhet i arbeidsområdet

- **Hold arbeidsområdet rent og godt opplyst.** Rot og dårlig opplyste områder kan lett føre til ulykker.
- **Maskinen må ikke brukes i omgivelser der det er fare for eksplosjon, for eksempel der det finnes**

brennbare væsker, gasser eller støv. Maskiner danner gnister som kan antenne støv eller damp.

- **Hold barn og tilskuere på avstand når du bruker en maskin.** Distraksjoner kan føre til at du mister kontrollen.

El-sikkerhet

- **Støpselet til maskinen må passe til stikkkontakten.** Du må aldri modifisere støpselet på noen måte. **Ikke bruk adapterpluggen sammen med jordede maskiner.** Når støpselet ikke er modifisert og stikkkontakten passer, vil dette redusere faren for elektrisk støt.
- **Unngå kroppskontakt med jordede flater, for eksempel rør, radiatorer, komfyrer og kjøleskap.** Faren for elektrisk støt øker hvis kroppen til brukeren er jordet.
- **Maskiner må ikke utsettes for regn eller annen fukt.** Hvis det kommer vann inn i en maskin, øker faren for elektrisk støt.
- **Ledningen må håndteres forsiktig. Bruk aldri ledningen til å bære eller dra maskinen eller til å trekke ut støpselet til maskinen.** Hold ledningen unna varme, olje, skarpe kanter og bevegelige deler. Skadde eller sammenflokete ledninger øker faren for elektrisk støt.
- **Når en maskin brukes utendørs, må det brukes en skjøteledning som er egnet for utendørs bruk.** Bruk av ledning for utendørs bruk reduserer faren for elektrisk støt.
- **Hvis en maskin må brukes på et fuktig sted, bør den være koblet til en strømkrets som er beskyttet av jordfeilbryter.** Bruk av jordfeilbryter reduserer faren for elektrisk støt.

Personlig sikkerhet

- **Vær oppmerksom, følg med på det du gjør, og bruk sunn fornuft når du bruker en maskin. Ikke bruk en maskin hvis du er trett eller påvirket av narkotika, alkohol eller medisiner.** Et øyeblikks uoppmerksomhet under bruk av maskiner kan føre til alvorlig personskade.
- **Bruk personlig verneutstyr. Bruk alltid øyevem.** Bruk av verneutstyr som støvmaske, vernesko med antisklisåle, hjelm og hørselvern der det kreves, reduserer faren for personskade.
- **Unngå utilsiktet oppstart. Forsikre deg om at bryteren står i AV-stilling før du kobler til strømforsyningen og/eller batteripakken, løfter opp eller bærer maskinen.** Hvis du bærer en maskin påslått eller med en finger på bryteren, kan det lett oppstå ulykker.
- **Fjern eventuelle justeringsnøkler før du slår på maskinen.** En nøkkel som sitter på en roterende del av maskinen, kan forårsake personskade.
- **Ikke strekk deg for langt. Pass på at du står sikkert og hold alltid balansen.** Dette gir deg bedre kontroll over maskinen i uventede situasjoner.

- **Bruk egnede klær. Ikke bruk løstsittende klær eller smykker. Hold hår og klær borte fra bevegelige deler.** Løstsittende klær, smykker eller langt hår kan dras med av deler som beveger seg.
- **Hvis apparatet er forsynt med tilkobling for støvsuger eller oppsamlere, må du forsikre deg om at disse er riktig tilkoblet og brukes på riktig måte.** Bruk av et støvavsug kan redusere faren på grunn av støv.
- **Selv om du har lang erfaring med bruk av maskiner, må du ikke bli uforsiktig eller ignorere sikkerhetsreglene.** Uforsiktig oppførsel kan føre til alvorlige skader i løpet av et lite sekund.

Bruk og vedlikehold av maskinen

- **Ikke bruk makt på maskinen. Bruk riktig maskin til den aktuelle oppgaven.** Riktig maskin gjør jobben på en bedre og sikrere måte i den hastigheten den er konstruert for.
- **Ikke bruk maskinen hvis bryteren ikke fungerer som den skal.** Maskiner som ikke kan kontrolleres med bryteren, er farlige, og må repareres.
- **Koble støpselet fra strømforsyningen og/eller batteripakken fra produktet, hvis det er avtakbart, før du foretar justeringer, skifter tilbehør eller legger unna produktet for oppbevaring.** Disse forsiktighetstiltakene forhindrer utilsiktet start av elektroverktøyet.
- **Maskiner som ikke er i bruk, må oppbevares utilgjengelig for barn. Ikke la personer som ikke er kjent med maskinen eller disse instruksjonene, bruke maskinen.** Maskiner er farlige når de håndteres av uerfarne brukere.
- **Vedlikehold maskiner og tilbehør. Kontroller justeringen av bevegelige deler, samt at de ikke sitter fast. Kontroller at det ikke finnes ødelagte deler eller andre feil som kan påvirke bruken av maskinen. Hvis maskinen er skadet, må den repareres før bruk.** Mange ulykker skyldes dårlig vedlikeholdte maskiner.
- **Hold skjæreverktøy skarpe og rene.** Riktig vedlikeholdte skjæreverktøy med skarpe skjærekanten har mindre fare for å sette seg fast, og er lettere å kontrollere.
- **Bruk maskinen, tilbehør og bits osv. i samsvar med disse instruksjonene, de aktuelle arbeidsforholdene og arbeidet som skal utføres.** Bruk av maskinen til andre oppgaver enn dem den er tiltenkt, kan føre til farlige situasjoner.
- **Hold håndtakene og gripeflatene tørre, rene og frie for olje og fett.** Glatte håndtak og gripeflater umuliggjør trygg håndtering og kontroll av maskinen i uventede situasjoner.

Bruk og vedlikehold av batteridreven maskin

- **Må bare lades med laderen som er spesifisert av produsenten.** En lader som passer til én batteripakke kan skape brannfare hvis den brukes med en annen batteripakke.

- **Bruk kun de batteriene som er tiltenkt for elektroverktøyene.** Bruk av andre batteripakker kan medføre fare for personskade og brann.
- **Når batteriet ikke er i bruk, må det holdes unna andre metallgjenstander som binders, mynter, nøkler, spiker, skruer og andre små metallgjenstander som kan danne en forbindelse fra den ene batteripolen til den andre.** Kortslutning av batteripolene kan føre til forbrenning eller brann.
- **Hvis batteriet utsettes for store påkjenninger, kan det komme væske ut av det. Unngå i så fall kontakt med denne væsken. Skyll med vann hvis kontakt oppstår ved et uhell. Hvis du får væske i øynene, kontakt lege øyeblikkelig.** Væske som kommer ut av batteriet kan forårsake irritasjon eller forbrenninger.
- **Ikke bruk en batteripakke eller maskin som er skadet eller endret.** Skadede eller endrede batterier kan ha en uforutsigbar adferd, noe som kan føre til brann, eksplosjoner eller personskader.
- **Ikke utsett en batteripakke eller maskin for ild eller for høye temperaturer.** Eksponering for flammer eller temperaturer over 130 °C (265 °F) kan føre til eksplosjon.
- **Følg alle ladeinstruksjonene, og ikke lad batteripakken eller maskinen utenfor temperaturområdet som er angitt i instruksjonene.** Lading på feil måte eller ved temperaturer utenfor det angitte området kan påføre batteriet skade og øke faren for brann.

Service

- **Service må bare utføres av kvalifiserte reparatører, og kun med identiske reservedeler.** Dette sikrer at sikkerheten til maskinen opprettholdes.
- **Utfør aldri service på skadede batteripakker.** Service av batteripakker skal kun utføres av produsenten eller autoriserte serviceleverandører.

Sikkerhetsadvarsler for gresstrimmer

- **Ikke bruk maskinen i dårlig vær, spesielt når det er fare for tordenvær.** Dette øker faren for å bli truffet av lynnedslag.
- **Inspiser området grundig for dyreliv der maskinen skal brukes.** Dyreliv kan bli skadet av maskinen under bruk.
- **Kontroller grundig området der maskinen skal brukes, og fjern alle steiner, pinner, ledninger, bein og andre fremmedlegemer.** Gjenstander som slynges ut, kan forårsake personskade.
- **Før du bruker maskinen, må du alltid kontrollere den visuelt for å forsikre deg om at kapperen eller klingen og kapper-/klingeenheten ikke er skadet.** Skadede deler øker faren for personskade.
- **Følg instruksjonene for utskifting av tilbehør.** Hvis festemutrene eller -boltene til klingen ikke er riktig strammet, kan klingen løsne eller bli skadet.
- **Bruk øye-, hørsels-, hode- og håndvern.** Egnert verneutstyr reduserer faren for å bli skadet av

flygende gjenstander eller utilsiktet kontakt med trimmere eller tråder.

- **Bruk alltid sklisikkert beskyttende fottøy når du bruker maskinen. Vær ikke barbert og bruk ikke åpne sandaler når du bruker maskinen.** Dette reduserer faren for skade på føttene som følge av kontakt med trimmere eller tråder i bevegelse.
- **Ha alltid på deg lange bukser når du bruker maskinen.** Hud som ikke er tildekket er mer sannsynlig å skades av gjenstander som kan slynges ut.
- **Hold tilskuere på avstand når du bruker maskinen.** Objekter som slynges ut, kan føre til alvorlig personskade.
- **Bruk alltid begge hendene når du bruker maskinen.** Hold maskinen med begge hender for å unngå tap av kontroll.
- **Hold maskinen bare i isolerte gripeflater, ettersom kappetråden eller klingan kan komme i kontakt med skjulte ledninger.** Hvis kappetråden eller klingan kommer i kontakt med en strømførende ledning, kan de eksponerte metalldelene av maskinen bli strømførende, og dette kan gi brukeren elektrisk støt.
- **Sørg for at du alltid står støtt, og bruk maskinen bare mens du står på bakken.** Glatte eller ustabile underlag kan føre til at du mister balansen eller mister kontrollen over maskinen.
- **Ikke bruk maskinen i svært bratte skråninger.** Dette reduserer risikoen for å miste kontrollen, skli og falle, som kan føre til personskade.
- **Når du arbeider i skråninger, må du alltid stå støtt, alltid arbeide på tvers, aldri opp eller ned, og være svært forsiktig når du skifter retning.** Dette reduserer risikoen for å miste kontrollen, skli og falle, som kan føre til personskade.
- **Hold alle deler av kroppen unna kapperen, tråden og klingan når maskinen er i drift. Før du starter maskinen, må du forsikre deg om at kapperen, tråden og klingan ikke kommer i kontakt med noe.** Et øyeblikks uoppmerksomhet under bruk av maskinen kan føre til alvorlig personskade.
- **Ikke bruk maskinen over hofte høyde.** Dette bidrar til å hindre utilsiktet kontakt med kapperen eller klingan, og gir bedre kontroll over maskinen i uventede situasjoner.
- **Når du kapper busker eller unge trær som står i spenn, må du være oppmerksom på at maskinen plutselig kan bli kastet tilbake.** Når spenningen i trefibrene utløses, kan busken eller treet treffe brukeren og/eller føre til at maskinen kommer ut av kontroll.
- **Vær ekstremt forsiktig ved saging i busker og ungrær.** Det slanke materialet kan sette seg fast i klingan og bli slynget mot deg, eller føre til at du mister balansen.
- **Ha alltid full kontroll over maskinen, og ikke berør kappere, tråder eller klinger eller andre farlige bevegelige deler mens de er i bevegelse.** Dette reduserer faren for skader fra bevegelige deler.

- **Bær maskinen avslått og unna kroppen.** Riktig håndtering av maskinen reduserer sannsynligheten for utilsiktet kontakt med kapper, tråd eller klinge i bevegelse.
- **Bruk bare nye kappere, tråder, kappenhoder og klinger som er spesifisert av produsenten.** Feil reservedeler kan øke faren for ødeleggelse og personskade.
- **Når du fjerner fastkilt materiale, lagrer eller utfører vedlikehold på maskinen, må du påse at strømbryteren er slått av, og at batteripakken er tett ut.** Hvis maskinen startes uventet mens du fjerner fastkjørt materiale eller utfører service, kan det oppstå alvorlig personskade.



ADVARSEL: La aldri barn bruke eller oppholde seg i nærheten av maskinen. Siden maskinen er lett å starte, kan barn starte den hvis de ikke holdes under oppsyn. Dette kan medføre risiko for alvorlig personskade. Batteriet må derfor kobles fra når maskinen ikke er under oppsyn.

Generelle sikkerhetsinstruksjoner



ADVARSEL: Les de følgende advarselsinstruksjonene før du bruker produktet.

Kontroll før start

- Ta alltid ut batteriet for å hindre at produktet startes ved et uhell. Ta alltid ut batteriet før det utføres vedlikehold på maskinen.
- Før produktet brukes og etter at det har vært utsatt for slag, må det kontrolleres for tegn på slitasje eller skader. Det skal repareres ved behov.
- Inspiser arbeidsområdet. Fjern alle løse gjenstander, for eksempel steiner, glasskår, spiker, ståltråd, snorer osv., som kan bli slynget av sted eller vikle seg rundt kapperen eller kapperbeskyttelsen.
- Kontroller motoren med tanke på smuss og sprekker. Fjern gress og blader fra motoren med en børste. Hansker skal brukes ved behov.
- Kontroller at trimmerhodet er skikkelig festet på trimmeren.
- Kontroller at produktet er i perfekt stand. Kontroller at alle muttere og skruer er trukket ordentlig til.
- Kontroller trimmerhodet og skjæreutstyret, slik at alt er uten skader og fritt for sprekkdannelse. Bytt trimmerhode eller skjæreutstyr hvis det er blitt utsatt for slag eller har sprekker. Bruk alltid anbefalt beskyttelse for det spesifikke skjæreutstyret. Se kapitlet Tekniske data.
- Brukere av produktet må sørge for at mennesker og dyr er minst 15 meter unna mens det arbeides. Hvis flere arbeider på samme sted, skal sikkerhetsavstanden være minst 15 meter.
- Utfør en generell inspeksjon av produktet før bruk. Se vedlikeholdsskjemaet.
- Bruken av denne maskinen kan være regulert av nasjonal eller lokal lovgivning. Følg gjeldende lovgivning.

Bruk alltid sunn fornuft

Det er umulig å dekke alle de tenkelige situasjonene som kan oppstå. Vær alltid forsiktig og bruk sunn fornuft. Unngå situasjoner du ikke føler deg tilstrekkelig kvalifisert for. Hvis du etter å ha lest disse instruksjonene fortsatt føler deg usikker vedrørende bruken, skal du rådføre deg med en ekspert før du fortsetter.

- Ta alltid ut batteriet for å forhindre at produktet startes ved et uhell.
- Dette produktet er et farlig verktøy hvis du ikke er forsiktig, eller hvis du bruker produktet på feil måte. Dette produktet kan føre til alvorlig personskade eller død for operatøren eller andre.
- Ikke bruk produktet hvis det er endret fra den opprinnelige spesifikasjonen. Ikke endre en del av produktet uten godkjenning fra produsenten. Bruk bare reservedeler som er godkjent av produsenten. Personsikade eller død er mulige konsekvenser av feil vedlikehold.
- Kontroller produktet før bruk. Se *Sikkerhetsutstyr på produktet på side 299* og *Produktoversikt på side 294*. Ikke bruk et produkt som er skadet eller ikke fungerer som det skal. Utfør sikkerhetskontrollene, og følg vedlikeholds- og serviceinstruksjonene i denne bruksanvisningen.
- Barn må holdes under oppsyn for å sikre at de ikke leker med produktet. Produktet og/eller batteriet må aldri brukes av barn eller personer som ikke har fått opplæring i bruken av det. Aldersgrense for bruk kan være underlagt lokale bestemmelser.
- Oppbevar produktet på et låst sted for å hindre tilgang for barn eller personer som ikke er godkjent.
- Oppbevar produktet utilgjengelig for barn.
- Den opprinnelige konstruksjonen til produktet må ikke under noen omstendigheter endres uten tillatelse fra produsenten. Bruk alltid originalt tilbehør. Uautoriserte endringer og/eller tilleggsutstyr kan medføre alvorlige skader eller dødsfall for brukeren eller andre.
- Det oppgitte totale vibrasjonsnivået er målt i samsvar med en standard testmetode, og kan brukes til å sammenligne ett redskap med et annet.
- Den oppgitte totale vibrasjonsverdien kan også brukes til innledende vurdering av eksponering.
- Vibrasjonsnivået under faktisk bruk av det motoriserte redskapet kan avvike fra den oppgitte totalverdien, avhengig av hvordan redskapet brukes. Brukeren må treffe sikkerhetstiltak for å beskytte seg, basert på et anslag av eksponeringen under de faktiske bruksforholdene (med hensyn til alle deler

av operasjonssyklusen, for eksempel når verktøyet slås av og når det går på tomgang).

Merk: Bruken kan være regulert av nasjonal eller lokal lovgivning. Følg gjeldende lovgivning.

Personlig verneutstyr



ADVARSEL: Les de følgende advarselinstruksjonene før du bruker produktet.

- Benytt alltid godkjent verneutstyr når du bruker produktet. Verneutstyr kan aldri fullstendig forhindre skade, men det reduserer skadeomfanget hvis ulykken inntreffer. Spør forhandleren din om hjelp til å velge riktig utstyr.
- Bruk godkjent hørselsvern.

(Fig. 19)

- Bruk godkjent øyevern. Ved bruk av visir skal det også brukes godkjente vernebriller. Godkjente vernebriller er slike som tilfredsstiller standard ANSI Z87.1 for USA eller EN 166 for EU-land.

(Fig. 20)

- Bruk hansker når det er nødvendig, for eksempel når du fester, undersøker eller rengjør skjæreutstyret.

(Fig. 21)

- Bruk vernestøvler med stålått og sklislisikre såler.

(Fig. 22)

- Bruk klær av et slitesterkt materiale. Bruk alltid tykke langbukser og lange ermer. Unngå bruk av altfor vide klær som lett henger seg fast i kvister og grener. Ikke bruk smykker, korte bukser eller sandaler. Ikke gå med bare føtter. Sett håret opp over skuldernivå.
- Ha førstehjelpsutstyr i nærheten.

(Fig. 23)

Sikkerhetsutstyr på produktet



ADVARSEL: Les de følgende advarselinstruksjonene før du bruker produktet.

I dette avsnittet forklares produktets sikkerhetsfunksjoner, hvilken funksjon det har, og hvordan man utfører kontroll og vedlikehold for å være sikker på at det fungerer. Se bruksanvisningen under overskriften *Innledning på side 294* for å finne ut hvor disse delene er plassert på produktet.

Levetiden til produktet kan forkortes og risikoen for ulykker kan øke dersom produktvedlikeholdet ikke utføres på riktig måte, og dersom service eller reparasjoner ikke er fagmessig utført. Hvis du trenger ytterligere informasjon, kan du kontakte nærmeste servicesenter.



ADVARSEL: Bruk aldri et produkt med skader på sikkerhetsutstyret. Produktets sikkerhetsutstyr skal kontrolleres og vedlikeholdes som beskrevet i dette avsnittet. Hvis produktet ikke består alle kontrollene, må serviceverksted oppsøkes for reparasjon.



OBS: All service og reparasjon av maskinen krever spesialutdanning. Dette gjelder særlig maskinens sikkerhetsutstyr. Hvis maskinen ikke består alle kontrollene som er oppgitt nedenfor, må du oppsøke et serviceverksted. Kjøp av våre produkter garanterer at du kan få utført en fagmessig reparasjon og service. Hvis maskinen ikke er kjøpt hos en av våre servicefaghandlere, så spør dem etter nærmeste serviceverksted.

Slik kontrollerer du tastaturet

1. Trykk på og hold inne start/stopp-knappen (A). (Fig. 24)
 - a) Produktet er slått på når LED-lampen (B) lyser.
 - b) Produktet er slått av når LED-lampen (B) er slukket.
2. Se *Tastatur på side 305* hvis varselampen (C) lyser eller blinker.

Slik kontrollerer du kraftutløserperren

Kraftutløserperren forhindrer at produktet startes ved et uhell. Når du trykker på kraftutløserperren (A), utløses kraftutløseren (B). Når du slipper håndtaket, går kraftutløseren og kraftutløserperren tilbake til utgangsposisjonene. (Fig. 25)

1. Kontroller at kraftutløseren er låst når kraftutløserperren står i utgangsstillingen. (Fig. 26)
2. Skyv kraftutløseren, og kontroller at den går tilbake til utgangsstillingen når du slipper den. (Fig. 27)
3. Kontroller at kraftutløseren og kraftutløserperren kan bevege seg fritt, og at returfjæren fungerer som den skal. (Fig. 28)
4. Start produktet. Se *Slik starter du produktet på side 303*.
5. Gi full gass.
6. Slipp kraftutløseren, og sjekk at skjæreutstyret stanser helt.

Slik kontrollerer du beskyttelsen for skjæreutstyret



ADVARSEL: Ikke bruk skjæreutstyr uten en godkjent og korrekt festet beskyttelse. Bruk alltid anbefalt beskyttelse for skjæreutstyr for det skjæreutstyret du bruker. Se *Tekniske data på side 306*. Hvis

feil eller defekt beskyttelse for skjæreutstyr monteres, kan dette forårsake alvorlig personskade.

Batterisikkerhet



ADVARSEL: Les de følgende advarselsinstruksjonene før du bruker produktet.

Beskyttelsen for skjæreutstyret stopper gjenstander som kastes ut i retning av brukeren. Den forhindrer også skader som kan oppstå hvis du berører skjæreutstyret.

1. Stopp motoren.
2. Utfør en visuell sjekk etter skader, for eksempel sprekker.
3. Skift ut beskyttelsen for skjæreutstyret hvis den er skadet.

Klippeutstyr

Velg riktig skjæreutstyr, og utfør vedlikehold på skjæreutstyret for å

- oppnå maksimal skjærekapasitet
- forlenge levetiden til skjæreutstyret



ADVARSEL: Bruk bare skjæreutstyr sammen med den skjermen vi anbefaler! Se *Godkjent tilbehør på side 308*. Følg anvisningene for skjæreutstyret for å finne riktig måte å sette inn trimmertråd og plastkniver på.



ADVARSEL: Skadet skjæreutstyr kan øke risikoen for ulykker.



ADVARSEL: Stans alltid strømtilførselen før du foretar noe som helst arbeid på skjæreutstyret. Det fortsetter å rotere når du slipper kraftutløseren. Kontroller at skjæreutstyret har stanset helt, og koble batteriet fra produktet før du begynner noe arbeid på det.

Skjæreutstyr



ADVARSEL: Pass alltid på at trimmertråden vikles hardt og jevnt rundt trommelen, slik at skadelige vibrasjoner forhindres.

(Fig. 29)

- Bruk bare anbefalt skjæreutstyr.
- Trimmertrådens lengde er viktig. En lengre trimmertråd krever større motorkraft enn en kort trimmertråd med samme diameter.
- Pass på at kapperen på beskyttelsesskjermen for skjæreutstyret er intakt. Dette kutter trimmertråden til riktig lengde.
- Bløtlegg trimmertråden i vann i et par dager før bruk. Dette øker levetiden.



ADVARSEL: Les de følgende advarselsinstruksjonene før du bruker produktet.

- Fare for elektrisk støt eller kortslutning hvis sikkerhetsinstruksjonene ikke følges.
- Ikke bruk andre ladere enn den som ble levert med produktet. Bruk bare QC80- og 40-C80-ladere når du lader utbyttbare batterier i BLi- og 40-B-serien.
- Ikke prøv å demontere batteriladere.
- Ikke bruk en defekt eller skadet batterilader.

- Ikke løft batteriladeren etter strømledningen. For å koble laderen fra stikkkontakten drar du i støpselet. Ikke dra i ledningen.
- Hold alle ledninger og skjøteledninger borte fra vann, olje og skarpe kanter. Pass på at kabelen ikke kommer i klem mellom objekter, for eksempel dører, gjerdet eller lignende.
- Ikke bruk batteriladeren i nærheten av brennbare materialer eller materialer som kan forårsake korrosjon. Kontroller at batteriladeren ikke er tildekket. Trekk ut støpselet til batteriladeren hvis det oppstår røyk eller brann.
- Bare lad batteriet innendørs på et sted med god luftsirkulasjon og som er beskyttet mot direkte sollys. Ikke lad batteriet utendørs. Ikke lad batteriet i fuktige omgivelser.
- Bare bruk batteriladeren i temperaturer mellom 5 °C (41 °F) og 40 °C (104 °F). Bruk laderen i godt ventilerte, tørre og støvfrie omgivelser.
- Ikke sett gjenstander inn i luftåpningene til laderen.
- Berør aldri ladekontaktene med metallgjenstander. Dette kan kortslutte batteriladeren.
- Bruk bare godkjente stikkontakter som ikke er skadet. Kontroller at ledningen til batteriladeren ikke er skadet. Hvis skjøteledninger brukes, må du passe på at skjøteledningene ikke er skadet.

- Ikke lad engangs batterier i batteriladerne.

Sikkerhetsinstruksjoner for vedlikehold



ADVARSEL: Les de følgende advarslene før du utfører vedlikehold på produktet.

- Fjern batteriet før du utfører vedlikehold, andre kontroller eller monterer produktet.
- Operatøren må bare utføre vedlikehold og service som refereres til i denne bruksanvisningen. Henvend deg til forhandleren for mer omfattende vedlikehold og service.
- Ikke rengjør batteriet eller batteriladeren med vann. Sterke vaskemidler kan skade platen.
- Hvis du ikke utfører vedlikehold, minsker levetiden til produktet og risikoen for ulykker øker.
- Det kreves spesiell opplæring for alt vedlikehold og reparasjonsarbeid, spesielt for sikkerhetsutstyret på produktet. Hvis ikke alle kontrollene i denne bruksanvisningen er godkjent etter at du har gjort vedlikehold, må du ta kontakt med serviceforhandleren. Vi garanterer at fagmessig reparasjon og service er tilgjengelig for produktet.
- Bruk bare originalreservedeler.

Montering

Innledning



ADVARSEL: Les og forstå kapittelet om sikkerhet før du monterer produktet.

Slik monterer du beskyttelsen for skjærestyret

1. Sett dekslet til skjærestyret mot motorhuset. (Fig. 30)
2. Kontrollerer låsekrokkene. (Fig. 31)
3. Stram bolten. Bruk en kombinasjonsnøkkel. (Fig. 32)
4. Stram bolten.

Slik bytter du skjærestyr

1. Sett kombinasjonsnøkkelen inn i hullet, slik at riggerøret låses. (Fig. 33)
2. Vri skjærestyret, og skyv kombinasjonsnøkkelen forsiktig helt til det utgående skafet er blokkert.
3. Drei skjærestyret med klokken for å ta det ut. Kontroller at medbringerhjulet er på plass før du monterer skjærestyret. (Fig. 34)
4. Monter det nye skjærestyret i motsatt rekkefølge. (Fig. 35) (Fig. 36)

Merk: Kontroller at medbringerhjulet er riktig montert før du monterer skjærestyret.

Slik monterer du plantevernet

1. Fest plantevernet i hullene på motorhuset. (Fig. 37)
2. Sørg for at plantevernet kan bevege seg fritt forover og bakover. (Fig. 38)

Slik monterer du loophåndtaket

1. Sett skruen inn i loophåndtaket. (Fig. 39)
2. Fest loophåndtaket til riggerøret.
3. Trekk til skruene.
4. Juster loophåndtaket for å finne riktig arbeidsstilling. Se *Slik justerer du loophåndtaket og teleskopriggerøret på side 303*.

Slik monterer du batteriladeren (40-C80) på veggen



OBS: Ikke bruk en elektrisk skrutrekker til å montere batteriladeren på veggen. En elektrisk skrutrekker kan skade batteriladeren.

1. Monter batteriladeren på veggen med de to skruene (A). Bruk veggpluger (B) hvis det er nødvendig. (Fig. 40)
2. Monter de to skruerullpluggene (C).
3. Koble strømledningen (D) til batteriladeren og en stikkontakt.

Drift

Innledning



ADVARSEL: Les og forstå kapittelet om sikkerhet før du bruker produktet.

Før du bruker produktet

- Undersøk arbeidsområdet for å gjøre deg kjent med terrenget. Undersøk skråningen på bakken og hvorvidt det finnes hindringer som steiner, greiner og grøfter.
- Utfør en generell inspeksjon av produktet.
- Utfør sikkerhetskontrollene, vedlikeholdet og servicen som er angitt i denne bruksanvisningen.
- Kontroller motoren med tanke på smuss eller sprekker. Bruk en børste til å fjerne gress og løv fra motoren. Bruk hansker når det er nødvendig.
- Undersøk trimmerhodet og beskyttelsen for skjæreutstyret for skader eller sprekker. Bytt ut trimmerhodet og beskyttelsen for skjæreutstyret hvis de har blitt utsatt for slag, eller hvis de har sprekker.
- Kontroller at alle mutre og skruer er trukket til.
- Kontroller at alt av deksler, beskyttelser, håndtak og skjæreutstyr er riktig festet og ikke er skadet, før du starter produktet.

Batteri



ADVARSEL: Les og forstå kapittelet om sikkerhet før du bruker batteriet. Les og forstå bruksanvisningen for batteriet og batteriladeren.

Batteriet og batteriladeren må oppbevares i riktig omgivelsestemperatur.

	Omgivelsestemperatur
Drift av produktet	-5 °C–40 °C / 23 °F–104 °F
Lade batteriet	5 °C–40 °C / 41 °F–104 °F

Batteristatus

Displayet viser ladestatusen og eventuelle problemer med batteriet.

(Fig. 41)

LED-indikator	Batteristatus (ladestatus)	
	BLi10, BLi20	40-B70, 40-B140
4 LED-lamper lyser	Ikke tilgjengelig	Batteriet er 76–100 % ladet.
3 LED-lamper lyser.	Batteriet er 76–100 % ladet.	Batteriet er 51–75 % ladet.
2 LED-lamper lyser.	Batteriet er 51–75 % ladet.	Batteriet er 26–50 % ladet.
1 LED-lampe lyser.	Batteriet er 26–50 % ladet.	Batteriet er 6–25 % ladet.
1 LED-lampe blinker.	Batteriet er 0–25 % ladet.	Batteriet er 0–5% ladet.

Slik lader du batteriet

Hvis det er første gang du bruker batteriet, må du lade det. Et nytt batteri er bare 30 % ladet.



OBS: Koble batteriladeren til et strømuttak med den spenningen og frekvensen som er angitt på typeskiltet.

Batteriet lades ikke hvis batteritemperaturen er på over 50 °C / 122 °F.

1. Koble strømledningen til batteriladeren.

2. Koble batteriladeren til en jordet stikkontakt. Ladelampen blinker én gang. (Fig. 42)
3. Koble batteriet til batteriladeren. Ladelampen slås på. Lad batteriet i maks. 24 timer. (Fig. 43)
4. Trykk på batteriindikatorknappen. Hvis alle LED-indikatorene lyser, er batteriet fulladet.
5. Trekk i støpselet for å ta batteriladeren ut av strømuttaket. Ikke dra i ledningen.
6. Fjern batteriet fra batteriladeren.

Slik kobler du batteriet til produktet



ADVARSEL: Bruk bare originale Husqvarna-batterier i produktet.

1. Lad batteriet helt opp.
2. Skyv batteriet inn i batteriholderen på produktet. Batteriet låses på plass når du hører et klikk. (Fig. 44)



OBS: Hvis det er vanskelig å få batteriet inn i batteriholderen, er dette fordi du prøver å sette det inn på feil måte. Dette kan skade produktet.

Slik starter du produktet

1. Trykk på og hold start/stopp-knappen inne til den grønne LED-lampen tennes. (Fig. 45)
2. Trykk på kraftutløserperren og kraftutløseren. Skjæretstyret begynner å rotere.

Slik justerer du loophåndtaket og teleskopriggrøret

1. Løsne låsehåndtaket, og juster loophåndtaket til ønsket posisjon. (Fig. 46)
2. Lukk låsehåndtaket.
3. Løsne spaken på riggrøret. (Fig. 47)
4. Juster riggrøret til nødvendig lengde. Sørg for at du kan se trekanten på riggrøret. (Fig. 48)
5. Lukk spaken, og trekk til skruen.

Merk: Ikke fest loophåndtaket på varselmerkene på riggrøret.

Slik bruker du SavE-funksjonen

Dette produktet har en strømsparingsfunksjon, SavE.

Merk: SavE-funksjonen reduserer ikke skjærekraften til produktet.

1. Trykk på SavE-knappen på tastaturet.
2. Kontroller at den grønne LED-lampen tennes.
3. Trykk på SavE-knappen på nytt for å koble ut funksjonen. Den grønne LED-lampen slukkes. (Fig. 49)

Funksjon for automatisk avslåing

Produktet har en avslåingsfunksjon som stopper produktet hvis produktet ikke brukes. Den grønne LED-lampen for start/stopp slukkes, og produktet stopper etter 180 sekunder.

Slik bruker du produktet

Slik klipper du gress

1. Sørg for at plastknivene eller gresstrimmertråden er parallelt med bakken når du klipper gresset. (Fig. 50)
2. Ikke dytt Tri-Cut eller trimmerhodet ned i bakken. Dette kan skade produktet.

Merk: Lav temperatur rundt 0° C kan føre til at kniven eller trimmertråden brytter.

3. Flytt produktet fra side til side når du klipper gresset. (Fig. 51)

Merk: Ikke bruk produktet med skadet skjæretstyr. Skjæretstyr som er skadet, kan forårsake ubalanse som skader produktet.

Slik samler du opp gresset

Luftstrømmen fra roterende plastkniver eller trimmertråd kan brukes til å fjerne klypt gress fra et område.

1. Hold trimmerhodet, plastknivene eller trimmertråden parallelt med og over bakken.
2. Gi full gass.
3. Beveg skjæretstyret fra side til side, og fei bort gresset.



ADVARSEL: Rengjør skjæretstyrets deksel hver gang du monterer nye plastkniver eller trimmertråder, for å forhindre ubalanse og vibrasjon i håndtakene. Utfør også en kontroll av de andre delene på skjæretstyret, og rengjør det om nødvendig.

Slik trimmer du tett inntil objekter

1. Trekk ned plantevernet. (Fig. 52)
2. Bruk plantevernet for å unngå skade på andre objekter. (Fig. 53)

Slik stopper du produktet

1. Slipp kraftutløseren og kraftutløserperren.
2. Trykk på start/stopp-knappen til den grønne LED-lampen slukkes.
3. Trykk på utløserknappene på batteriet, og ta batteriet ut av produktet. (Fig. 54)

Slik bytter du plastknivene eller trimmertråden

Se de siste sidene i denne bruksanvisningen.

Vedlikehold

Innledning



ADVARSEL: Les og forstå kapittelet om sikkerhet før du utfører vedlikehold på produktet.

Under følger en liste over vedlikeholdstrinnene som må utføres på produktet. Se *Produktoversikt på side 294* for mer informasjon.

Vedlikeholdsskjema



ADVARSEL: Fjern batteriet før du utfører vedlikehold.

Vedlikehold	Daglig	Ukentlig	Månedlig
Rengjør de utvendige delene av produktet med en tørr klut. Du må ikke bruke vann.	X		
Kontroller at start/stopp-knappen fungerer som den skal, og at den ikke er skadet.	X		
Kontroller at kraftutløseren og kraftutløserperren fungerer riktig med hensyn til sikkerhet.	X		
Kontroller at håndtakene er tørre og rene.	X		
Kontroller at skjæreutstyrsbeskyttelsen ikke er skadet. Skift ut beskyttelsen for skjæreutstyret hvis den er skadet.	X		
Sørg for at håndtaket eller styret ikke er skadet, og at de er riktig festet.	X		
Kontroller låsemekanismen til teleskopskaftet. Se <i>Slik kontrollerer du låsemekanismen på teleskopskaftet på side 305</i> .	X		
Utfør en kontroll av batteriladeren for å forsikre deg om at den fungerer som den skal, og at den ikke er skadet.	X		
Kontroller at batteriet ikke er skadet.	X		
Kontroller at batteriet er ladet.	X		
Kontroller at batteriladeren ikke er skadet.	X		
Kontroller at utvendige skruer og mutre sitter stramt.		X	
Kontroller at utløserknappene på batteriet fungerer riktig og låser batteriet i produktet.		X	
Kontroller om det er fett i trimmerhodespolen.		X	
Rengjør og kontroller forbindelsene mellom batteriet og produktet.			X
Rengjør og kontroller forbindelsen mellom batteriet og batteriladeren.			X

Slik kontrollerer du batteriet og batteriladeren

1. Kontroller batteriet for skader, for eksempel sprekker.

2. Kontroller batteriladeren for skader, for eksempel sprekker.

3. Kontroller at strømledningen til batteriladeren ikke er skadet, og at det ikke er sprekker i den.

Slik rengjør du produktet, batteriet og batteriladeren

1. Rengjør produktet med en tørr klut etter bruk.
2. Rengjør batteriet og batteriladeren med en tørr klut. Hold batterispolene rene.
3. Kontroller at terminalene på batteriet og batteriladeren er rene før batteriet settes i batteriladeren eller produktet.

Slik kontrollerer og bytter du Tri-Cut

1. Kontroller Tri-Cut for skader og sprekker.

2. Fjern Tri-Cut. Se «Slik fjerner du Tri-Cut» på siste side i brukerhåndboken.
3. Monter Tri-Cut. Se *Slik bytter du skjæreutstyr på side 301.*

Slik kontrollerer du låsemekanismen på teleskopskaftet

1. Kontroller låsemekanismen på teleskopskaftet.
2. Juster momentkraften. (Fig. 55)

Feilsøking

Tastatur

LED-skjerm	Mulige feil	Mulige løsninger
LED-feillampen blinker.	Overbelastning	Skjæreutstyret beveger seg ikke fritt. Løsne skjæreutstyret.
	Temperaturavvik	La produktet avkjøles.
Produktet starter ikke.	Trykk på kraftutløseren og startknappen samtidig.	Slipp kraftutløseren, og stans produktet.
LED-feillampen tennes med rødt lys.	Det er nødvendig å utføre service på produktet.	Ta kontakt med serviceforhandleren din.

Batteri

LED-display	Mulige feil	Mulig handling
Den grønne LED-lampen blinker.	Lav batterispenning	Lad batteriet.
LED-feillampen blinker.	Temperaturavvik	Bruk batteriet i temperaturer mellom -10°C (14°F) og 40°C (104°F).
	For sterk spenning	Kontroller at nettspenningen samsvarer med den som er angitt på typeskiltet på produktet. Fjern batteriet fra batteriladeren.
LED-feillampen er tent.	For stor forskjell mellom cellene (1 V).	Snakk med serviceforhandleren din.

Batterilader

Problem	Mulige feil	Mulig løsning
Ladelampen lyser rødt.	Permanent feil med batteriladeren.	Ta kontakt med forhandleren din.

Problem	Mulige feil	Mulig løsning
Ladelampen blinker grønt.	Temperaturavvik – Batteriet er for kaldt eller for varmt for bruk eller lading.	La batteriet avkjøles, eller varm det opp. Når batteriet har riktig temperatur, kan det brukes eller lades igjen. Bruk batteriladeren i omgivelsestemperaturer på mellom 5 °C (41 °F) og 40 °C (104 °F).
Ladelampen blinker rødt.	Defekt batteri.	Ta kontakt med forhandleren din.

Transport, oppbevaring og avhending

Transport og oppbevaring

- De medfølgende litiumionbatteriene samsvarer med kravene i loven om farlige varer.
- Følg de spesifikke kravene på emballasje og etiketter for kommersiell transport, inkludert av tredjeparter og fraktleverandører.
- Snakk med en person med spesiell opplæring i farlige materialer før du sender produktet. Følg alle gjeldende nasjonale forskrifter.
- Bruk tape på åpne kontakter når du plasserer batteriet i en pakke. Pakk batteriet stramt for å hindre bevegelse.
- Fjern batteriet ved lagring og transport.
- Oppbevar batteriet og batteriladeren på et sted som er tørt og fri for fukt og frost.
- Batteriet må ikke oppbevares på steder der det kan forekomme statisk elektrisitet. Ikke oppbevar batteriet i en metallkasse.
- Oppbevar batteriet i temperaturer mellom 5°C (41°F) og 25°C (77°F) og unna direkte sollys.
- Oppbevar batteriladeren i temperaturer mellom +5 °C (+41 °F) og +45 °C (+113 °F) og unna direkte sollys.
- Bruk batteriladeren bare i temperaturer mellom 5°C (41 °F) og 40°C (104°F).
- Lad opp batteriet til 30–50 % før du setter det til oppbevaring i lange perioder.

- Oppbevar batteriladeren på et sted som er lukket og tørt.
- Hold batteriet og batteriladeren separert under oppbevaring. Ikke la barn eller andre uautoriserte personer røre utstyret. Oppbevar utstyret i et område som kan låses.
- Rengjør produktet og utfør en fullstendig service før du setter det til oppbevaring i lang tid.
- Bruk transportbeskyttelsen på produktet for å unngå personskader eller skade på produktet under transport og oppbevaring.
- Fest produktet på en sikker måte under transport.

Kassering av batteri, batterilader og produktet

Symbolene på produktet eller produktemballasjen angir at dette produktet ikke skal håndteres som restavfall. Resirkuler det på et gjenvinningsanlegg for elektrisk og elektronisk utstyr. Dette bidrar til å forhindre miljøskader og personskader.

Ta kontakt med lokale myndigheter, det lokale renovasjonsvesenet eller forhandleren hvis du ønsker mer informasjon om hvordan produktet ditt skal gjenvinnes.

Tekniske data

Tekniske data

	2151L-TC
Motor	
Motorstype	BLDC
Turtall på utgående aksel, o/min	6800
Klippebredde, mm	255

	215iL-TC
Vekt	
Vekt uten batteri, kg	2,9
Støyutslipp ⁵²	
Lydeffektnivå, målt dB (A)	90,8
Lydeffektnivå, garantert L _{WA} dB (A)	93
Lydnivåer ⁵³	
Ekvivalent lydtrykknivå ved brukerens øre, målt i henhold til IEC 62841-4-4, dB(A)	81,3
Vibrasjonsnivåer ⁵⁴	
Vibrasjonsnivåer i håndtak, målt i henhold til IEC 62844-4, m/s ²	3,0/2,7
Utstyrt med trimmerhode (original), foran/bak.	

Godkjente batterier til produktet

Batteri	BLi10		BLi20		40-B70	40-B140
Type	Litium-ion		Litium-ion		Litium-ion	Litium-ion
Batterikapasitet, Ah	Se etiketten for batterikapasitet		Se etiketten for batterikapasitet		Se etiketten for batterikapasitet	Se etiketten for batterikapasitet
Nominell spenning, V	36	36,5	36	36,5	36	36
Vekt, lb/kg	0,7	0,7	1,2	1,2	0,8	1,25

Godkjente batteriladere til produktet

Batterilader	QC80	40-C80
Nettspenning, V	100–240	100–240
Frekvens, Hz	50-60	50-60
Effekt, W	100	72
Utgangsspenning, V DC Ampere, A	36/2	43/1,6

⁵² Utslipp av støy til omgivelsene målt som lydeffekt (L_{WA}) samsvarer med EF-direktiv 2000/14/EF. Forskjellen mellom garantert og målt lydeffekt er at garantert lydeffekt også omfatter spredning i måleresultatet og variasjoner mellom forskjellige produkter av samme modell, i henhold til direktivet 2000/14/EF.

⁵³ Rapporterte data for ekvivalent lydtrykknivå for maskinen har en typisk statistisk spredning (standardavvik) på 3 dB(A).

⁵⁴ Rapporterte data for vibrasjonsnivå har en typisk statistisk spredning (standardavvik) på 1,5 m/s².

Tilbehør

Godkjent tilbehør

Godkjent tilbehør	Type	Beskyttelse for skjæreutstyr, Art.nr.
Trimmerhode	R25B (Ø 2 mm tråd)	529 96 69-01
Trimmerhode	Tri-Cut B (255 mm)	529 96 69-01

Samsvarserklæring

EU-samsvarserklæring

Vi, **Husqvarna AB**, SE-561 82 Huskvarna, Sverige, tlf.:
+46 36 146500, erklærer på eget ansvar at produktet:

Beskrivelse	Batteritrimmer
Merke	Husqvarna
Type/modell	215iL-TC
ID	Serienumre datert 2025 og senere

fullstendig overholder følgende EU-direktiver og
-forskrifter:

Direktiv/regulering	Beskrivelse
2006/42/EF	«angående maskiner»
2014/30/EU	«om elektromagnetisk kompatibilitet»
2000/14/EC	«angående utslipp av støy til omgivelsene»
2011/65/EU	«om begrensning av bruk av visse farlige stoffer i elektrisk og elektronisk utstyr»

og at følgende standarder eller tekniske spesifikasjoner
er anvendt: EN 62841-1:2015+A11:2022, IEC
62841-4-4:2020, EN ISO 12100:2010, EN IEC
63000:2018, EN IEC 55014-1:2021; EN IEC
55014-2:2021.

Kontrollorgan: 0036 TÜV SÜD Industrie Service
GmbH, Westendstraße199, 80686 München, Germany
Har bekreftet samsvar med rådsdirektivet 2000/14/EF,
prosedyre for overensstemmelsesvurdering: Vedlegg VI.

For informasjon som gjelder støyutslipp, kan du se
Tekniske data på side 306.

Huskvarna, 2025-01-10



Claes Losdal, FoU-leder, Husqvarna AB

Ansvarlig for teknisk dokumentasjon



SPIS TREŚCI

Wstęp.....	310	Transport, przechowywanie i utylizacja.....	323
Bezpieczeństwo.....	311	Dane techniczne.....	324
Montaż.....	318	Akcesoria.....	325
Przeznaczenie.....	319	Deklaracja zgodności.....	326
Przegląd.....	321	Załącznik	478
Rozwiązywanie problemów.....	322		

Wstęp

Opis produktu

Husqvarna 215iL-TC to akumulator do podkaszarki do trawy z silnikiem elektrycznym.

Nieustannie prowadzone są prace w celu zwiększenia bezpieczeństwa użytkownika i wydajności pracy. Dodatkowe informacje można uzyskać w centrum serwisowym.

Przeznaczenie

Produkt jest używany z niemetalowymi ostrzami z tworzywa sztucznego. Nie używać urządzenia do

innych zadań niż koszenie chwastów, trawy lub podobnych miękkich roślin.

Uwaga: Przepisy państwowe lub lokalne mogą określać limit zastosowania produktu.

Należy korzystać wyłącznie z akcesoriów zatwierdzonych do użytku przez producenta. Patrz *Akcesoria na stronie 325*.

Przegląd produktu

(Rys. 1)

1. Głowica żyłkowa Tri-Cut
2. Osłona osprzętu tnącego
3. Walek
4. Regulacja wałka (teleskopowego)
5. Uchwyt pałkowy
6. Klawiatura
7. Wskaźnik ostrzegawczy klawiatury
8. Przycisk start/stop
9. Przycisk SavE
10. Manetka gazu
11. Blokada manetki gazu
12. Wskaźnik włączonego zasilania i ostrzegawczy
13. Złącze
14. Ładowarka do akumulatora 40-C80
15. Pręt odsuwający rośliny
16. Wskaźnik ostrzegawczy akumulatora
17. Stan akumulatora
18. Przycisk wskaźnika akumulatora
19. Przyciski odłączania akumulatora
20. Akumulator
21. Narzędzie wielofunkcyjne
22. Tarcza zabierakowa
23. Instrukcja obsługi

Symbole znajdujące się na produkcie

- (Rys. 2) OSTRZEŻENIE: Produkt może spowodować poważne obrażenia ciała lub śmierć operatora lub innych osób. Należy zachować ostrożność i prawidłowo korzystać z produktu.
- (Rys. 3) Przed przystąpieniem do pracy należy dokładnie i ze zrozumieniem zapoznać się z treścią niniejszej instrukcji obsługi.
- (Rys. 4) Stosować środki ochrony oczu i uszu.
- (Rys. 5) Chronić przed deszczem.
- (Rys. 6) Etykieta emisji hałasu do środowiska zgodna z dyrektywami oraz przepisami UE i Wielkiej Brytanii (a także prawem Nowej Południowej Walii). Dane dotyczące emisji hałasu można znaleźć na etykiecie maszyny oraz w rozdziale „Dane techniczne”. Dotyczy tylko produktów wyposażonych w żyłkę.
- (Rys. 7) Należy uważać na odrzucane przedmioty.
- (Rys. 8) Przed przystąpieniem do konserwacji odłączyć akumulator.

(Rys. 9) Tego produktu ani opakowania nie można traktować jak odpadów domowych. Należy poddawać je recyklingowi w zatwierdzonym punkcie zbiórki sprzętu elektrycznego i elektronicznego.

(Rys. 10) Urządzenie jest zgodne z odpowiednimi dyrektywami UE.

(Rys. 16) Odległość między maszyną a osobami postronnymi powinna wynosić co najmniej 15 m (50 stóp).

(Rys. 17) Nie stosować metalowych ostrzy.

yyyywwxxxx

Tabliczka znamionowa lub laserowy nadruk zawiera numer seryjny. **yyyy** to rok produkcji, a **ww** oznacza tydzień produkcji.

(Rys. 11) Urządzenie jest zgodne z przepisami obowiązującymi w Wielkiej Brytanii.

(Rys. 12) Prąd stały.

Symbole na akumulatorze i/lub na ładowarce.

(Rys. 18) Należy poddać urządzenie recyklingowi w punkcie zbiórki sprzętu elektrycznego i elektronicznego. (Dotyczy tylko Europy)

(Rys. 13) Bezpieczny transformator.

(Rys. 14) Ładowarkę używać i przechowywać wyłącznie wewnątrz.

(Rys. 15) Podwójna izolacja.

Uszkodzenie produktu

Nie odpowiadamy za uszkodzenia naszego produktu, w przypadku gdy:

- produkt jest nieprawidłowo naprawiany.
- produkt jest naprawiany przy użyciu części nie pochodzących od producenta lub niezatwierdzonych przez producenta.
- produkt jest wyposażony w akcesoria nie pochodzące od producenta lub niezatwierdzone przez producenta.
- produkt nie jest naprawiany w autoryzowanym centrum serwisowym lub przez autoryzowaną placówkę.

Bezpieczeństwo

Definicje dotyczące bezpieczeństwa

Ostrzeżenia, uwagi i informacje są używane do zwrócenia uwagi na szczególnie ważne sekcje instrukcji obsługi.



OSTRZEŻENIE: Jest używane, gdy istnieje ryzyko poważnych obrażeń, śmierci operatora lub uszkodzenia otoczenia w wyniku nieprzestrzegania instrukcji obsługi.



UWAGA: Jest używane, gdy istnieje ryzyko uszkodzenia materiałów lub urządzenia w wyniku nieprzestrzegania instrukcji obsługi.

Uwaga: Stosuje się, aby przekazać więcej informacji, które są przydatne w danej sytuacji.

Ogólne wskazówki bezpieczeństwa dotyczące maszyny



OSTRZEŻENIE: Zapoznać się ze wszystkimi ostrzeżeniami dotyczącymi bezpieczeństwa, instrukcjami, ilustracjami i specyfikacjami dołączonymi do tej maszyny. Niezastosowanie się do wszystkich poniższych instrukcji może spowodować porażenie prądem, pożar i/lub poważne obrażenia.

Zachować wszystkie ostrzeżenia i instrukcje do korzystania z nich w przyszłości.

Uwaga: Termin „maszyna” w ostrzeżeniach dotyczy Twojej maszyny zasilanej prądem z sieci elektrycznej (z przewodem) lub maszyny zasilanej prądem z akumulatora (bezprowodowej).

Bezpieczeństwo miejsca pracy

- **Miejsce pracy powinno być czyste i dobrze oświetlone.** Obszary zaciemnione i takie, w których panuje nieład, mogą powodować wypadki.
- **Nie używać maszyn w atmosferze wybuchowej, np. w obecności cieczy, gazów lub pyłów palnych.** Maszyny wytwarzają iskry, które mogłyby zapalić pył lub opary.
- **Podczas używania maszyny należy zadbać o pozostanie dzieci oraz innych osób w bezpiecznej odległości.** W razie odwrócenia uwagi można utracić kontrolę nad urządzeniem.

Bezpieczeństwo elektryczne

- **Wtyczki maszyny muszą pasować do gniazdka.** Zabrania się dokonywania przeróbek wtyczki. **Nie wolno stosować adapterów w przypadku uzemionych maszyn.** Nieprzerobione wtyczki i dopasowane gniazdka pozwalają zredukować ryzyko porażenia prądem.
- **Należy unikać kontaktu ciała z powierzchniami uzemionymi, takimi jak rury, grzejniki, kucharki i lodówki.** Uziemienie ciała powoduje zwiększenie ryzyka porażenia prądem.
- **Nie wystawiać maszyn na działanie deszczu ani wilgoci.** Przedostanie się wody do maszyny zwiększa ryzyko porażenia prądem.
- **Nie niszczyć przewodu.** Nie wolno używać przewodu do przenoszenia, ciągnięcia lub odłączania maszyny. **Przewód należy utrzymywać z dala od źródeł ciepła, olejów, ostrych krawędzi lub ruchomych części.** Uszkodzone lub splątane przewody zwiększają zagrożenie porażenia prądem.
- **Używając maszyny na zewnątrz budynków, należy stosować przedłużacz przystosowany do użytku zewnętrznego.** Stosowanie przewodu przeznaczanego do użytku na zewnątrz budynków pozwala ograniczyć ryzyko porażenia prądem.
- **Jeśli maszyna musi być używana w warunkach dużej wilgotności, stosować zasilanie chronione wyłącznikiem różnicowo-prądowym (RCD).** Korzystanie z wyłącznika różnicowo-prądowego (RCD) zmniejsza ryzyko porażenia prądem.

Bezpieczeństwo osób

- **Podczas używania maszyny należy zachować skupienie, obserwować wykonywane czynności i kierować się zdrowym rozsądkiem.** Maszyny nie wolno używać w przypadku zmęczenia ani pod wpływem narkotyków, alkoholu lub leków. Chwila nieuwagi podczas obsługi maszyny może doprowadzić do poważnych obrażeń.
- **Stosować środki ochrony osobistej. Należy zawsze stosować środki ochrony wzroku.** Sprzęt ochronny, taki jak maski, antypoślizgowe buty robocze, kask lub środki ochrony słuchu stosowane w odpowiednich warunkach pozwalają obniżyć ryzyko odniesienia obrażeń.

- **Należy zapobiec niezamierzonemu rozruchowi.** **Przed podłączeniem maszyny do źródła zasilania i/lub podłączeniem akumulatora należy upewnić się, że maszyna jest wyłączona.** Przenoszenie maszyny z palcem na przełączniku lub włączenie zasilania maszyny, która ma przełącznik w pozycji włączonej, sprzyja wypadkom.
- **Przed włączeniem maszyny należy usunąć wszelkie klucze i inne narzędzia.** Klucze lub inne narzędzia, pozostawione przy obracającej się części maszyny, mogą spowodować obrażenia ciała.
- **Nie należy przeceniać swoich możliwości. Stać na stabilnym podłożu i zachować równowagę.** Pozwoli to zachować lepszą kontrolę nad maszyną w nieoczekiwanych sytuacjach.
- **Należy odpowiednio się ubierać. Nie należy zakładać luźnych ubrań i nosić biżuterii. Włosy oraz ubranie należy trzymać z dala od elementów ruchomych.** Luźna odzież, biżuteria lub długie włosy mogą zostać wciągnięte przez ruchome części.
- **Jeśli dołączone jest wyposażenie służące do podłączenia urządzeń odprowadzających i gromadzących pył, należy zadbać o jego podłączenie i właściwe używanie.** Stosowanie urządzeń odprowadzających pył może ograniczyć zagrożenia związane z obecnością pyłu.
- **Użytkownik nie powinien czuć się zbyt pewnie i lekceważyć zasad bezpieczeństwa nawet wtedy, gdy po wielokrotnym używaniu maszyny jest dobrze obeznany z jej działaniem.** Nieuwaga przy pracy może w ułamku sekundy doprowadzić do ciężkich obrażeń ciała.

Obsługa i konserwacja maszyny

- **Nie należy korzystać z maszyny „na siłę”.** Używać maszyny dopasowanej do zastosowania. Właściwa maszyna pozwoli lepiej i bezpieczniej wykonać pracę z przewidzianą prędkością.
- **Nie wolno używać maszyny, jeśli nie można jej włączyć lub wyłączyć przy użyciu przełącznika.** Jeśli maszyna nie może być kontrolowana za pomocą przełącznika, jest ona niebezpieczna i musi zostać oddana do naprawy.
- **Przed dokonaniem jakichkolwiek regulacji, zmianą akcesoriów lub pozostawieniem maszyny na czas przechowywania należy odłączyć wtyczkę od źródła zasilania i/lub, jeśli jest to możliwe, wymontować akumulator.** Ten środek ostrożności zapobiega niezamierzonemu uruchomieniu elektronarzędzia.
- **Nieużywane maszyny należy przechowywać w miejscu niedostępnym dla dzieci.** Nie wolno pozwalać, aby maszyny obsługiwały osoby niezaznajomione z maszyn lub niniejszymi instrukcjami. W rękach nieprzeszkolonych użytkowników maszyna może być niebezpieczna.
- **Konserwować maszyny i akcesoria. Maszynę należy sprawdzać pod kątem niedopasowania lub odkształcenia ruchomych części, uszkodzenia elementów lub innych okoliczności, które mogą mieć wpływ na pracę urządzenia.** W przypadku

uszkodzenia naprawić maszynę przed jej ponownym użyciem. Powodem wielu wypadków jest niewłaściwa konserwacja maszyn.

- **Narzędzia tnące należy utrzymywać w stanie naostrzonym i czystym.** Prawidłowo konserwowane maszyny do cięcia o ostrych krawędziach tnących są mniej podatne na wykrzywienie i łatwiej je kontrolować.
- **Maszyna, akcesoria i końcówki itp. muszą być używane zgodnie z niniejszymi instrukcjami, biorąc pod uwagę warunki robocze oraz wykonywane zadanie.** Używanie maszyny do zadań innych niż te, do których jest przeznaczona, może być niebezpieczne.
- **Utrzymywać uchwyty i powierzchnie do chwytania w stanie suchym, czystym oraz wolnym od smaru i oleju.** Śliskie uchwyty i powierzchnie chwytów nie pozwalają na pewną obsługę oraz kontrolowanie maszyny w nieprzewidzianych sytuacjach.

Użytkowanie i konserwacja akumulatora maszyny

- **Ładować jedynie za pomocą ładowarki wskazanej przez producenta.** Ładowarka przeznaczona do jednego rodzaju akumulatora może grozić pożarem w przypadku wykorzystania jej do ładowania innego rodzaju akumulatora.
- **Używać w maszynach tylko przewidzianych do nich akumulatorów.** Użycie akumulatorów innego rodzaju może stworzyć zagrożenie obrażeniami ciała i pożarem.
- **Kiedy akumulator nie jest używany, należy przechowywać go z dala od innych metalowych przedmiotów, takich jak spinacze do papieru, monety, klucze, gwoździe i śruby oraz innych niewielkich metalowych przedmiotów, które mogłyby połączyć dwa zaciski akumulatora.** Spięcie zacisków akumulatora może spowodować oparzenia lub pożar.
- **W niewłaściwych warunkach z akumulatora może wypłynąć płyn. Należy unikać kontaktu z tym płynem. Jeżeli dojdzie do kontaktu, przemyć wodą. Jeśli dojdzie do kontaktu płynu z oczami, należy dodatkowo skorzystać z pomocy medycznej.** Płyn wydostający się z akumulatora może wywołać podrażnienia lub oparzenia.
- **Nie używać akumulatora ani maszyny, jeśli są one uszkodzone lub zostały zmodyfikowane.** Uszkodzone lub zmodyfikowane akumulatory mogą charakteryzować się nieprzewidywalnymi właściwościami skutkującymi pożarem, eksplozją lub ryzykiem doznania obrażeń przez użytkownika.
- **Nie wystawiać akumulatora ani maszyny na działanie ognia lub zbyt wysokiej temperatury.** Narażenie na pożar lub temperaturę przekraczającą 130°C (265°F) może spowodować wybuch.
- **Należy postępować zgodnie ze wszystkimi instrukcjami dotyczącymi ładowania i nie ładować akumulatora ani maszyny w temperaturze wykraczającej poza zakres określony w instrukcji.**

Nieprawidłowe ładowanie lub ładowanie w temperaturach wykraczających poza dopuszczalny zakres może uszkodzić akumulator i zwiększyć ryzyko pożaru.

Serwis

- **Naprawę maszyny należy zlecać wyłącznie wykwalifikowanym pracownikom i tylko z zastosowaniem oryginalnych części zamiennych.** Dzięki temu można zapewnić utrzymanie bezpieczeństwa maszyny.
- **Pod żadnym pozorem nie należy serwisować uszkodzonych akumulatorów.** Serwisowanie akumulatorów powinno być wykonywane wyłącznie przez producenta lub autoryzowany serwis.

Ostrzeżenia dotyczące użytkowania wykaszarki do trawy

- **Nie używać maszyny przy złych warunkach pogodowych, szczególnie jeśli istnieje ryzyko wystąpienia burzy.** Zmniejsza to ryzyko porażenia piorunem.
- **Dokładnie sprawdzić obszar, w którym ma być używana maszyna, pod kątem występowania dzikich zwierząt.** Podczas pracy maszyny może dojść do obrażeń ciała u dzikich zwierząt.
- **Należy dokładnie sprawdzić miejsce, w którym będzie używana maszyna, i usunąć wszelkie kamienie, patyki, druty, kości i inne przedmioty.** Wyrzucane przedmioty mogą spowodować obrażenia.
- **Przed użyciem maszyny należy zawsze wzrokowo sprawdzić, czy tarcza tnąca lub nóż oraz zespół tnący lub zespół noża nie są uszkodzone.** Uszkodzone części zwiększają ryzyko odniesienia obrażeń.
- **Należy przestrzegać instrukcji dotyczących wymiany akcesoriów.** Nieprawidłowo dokręcone nakrętki lub śruby mocujące nóż mogą spowodować jego uszkodzenie lub odłączenie.
- **Stosować środki ochrony oczu, uszu, głowy i dłoni.** Odpowiednie środki ochrony osobistej zmniejszą ryzyko obrażeń od latających odłamków lub na skutek przypadkowego kontaktu z tarczą tnącą lub żyłką.
- **Podczas obsługi maszyny należy zawsze nosić ochronne obuwie przeciwpoślizgowe. Nie obsługiwać maszyny boso lub w sandałach.** Zmniejsza to ryzyko odniesienia obrażeń stóp w wyniku kontaktu z ruchomą tarczą tnącą lub żyłką.
- **Podczas obsługi maszyny należy zawsze nosić długie spodnie.** Odsłonięta skóra jest bardziej narażona na obrażenia powodowane przez wyrzucane przedmioty.
- **Podczas obsługi maszyny nie wolno dopuszczać do obecności w pobliżu osób postronnych.** Odrzucony podczas przycinania materiał może doprowadzić do ciężkich obrażeń.

- **Maszynę należy zawsze obsługiwać dwiema rękami.** Trzymanie maszyny obydwoma rękami pozwoli uniknąć utraty kontroli.
- **Maszynę należy trzymać wyłącznie za uchwyty o izolowanej powierzchni, ponieważ żyłka tnąca lub nóż mogą podczas pracy naruszyć ukryte przewody.** Jeśli żyłka tnąca lub noże zetkną się z przewodem pod napięciem, mogą wywołać przepływ prądu przez nieosłonięte metalowe części maszyny, co może prowadzić do porażenia operatora.
- **Zawsze należy utrzymywać stabilną postawę i obsługiwać maszynę wyłącznie w pozycji stojącej.** Śliskie lub niestabilne podłoża mogą spowodować utratę równowagi lub kontroli nad maszyną.
- **Nie wolno używać maszyny na zbyt stromych zboczach.** Zmniejsza to ryzyko utraty kontroli, poślizgnięcia się i upadku, a tym samym odniesienia obrażeń.
- **Podczas pracy na pochyłościach należy zawsze stawać na stabilnym podłożu i pracować w poprzek zbocza, a nie w górę lub w dół, a także zachować szczególną ostrożność przy zmianie kierunku jazdy.** Zmniejsza to ryzyko utraty kontroli, poślizgnięcia się i upadku, a tym samym odniesienia obrażeń.
- **Podczas pracy maszyny wszystkie części ciała należy trzymać z dala od tarczy tnącej, żyłki lub noża. Przed uruchomieniem maszyny należy upewnić się, że tarcza tnąca, żyłka lub nóż z niczym się nie stykają.** Chwila nieuwagi podczas obsługi maszyny może doprowadzić do obrażeń operatora lub osób postronnych.
- **Nie używać maszyny powyżej wysokości pasa.** Pozwala to uniknąć przypadkowego dotknięcia tarczy tnącej lub noża i zapewnić lepszą kontrolę nad maszyną w nieoczekiwanych sytuacjach.
- **W czasie cięcia naprzężonych krzewów lub młodych drzew należy uważać na odbicie.** Uwolnienie napięcia we włóknach drewna może doprowadzić do odbicia i uderzenia operatora i/lub utraty kontroli nad maszyną.
- **Zachowaj szczególną ostrożność w czasie cięcia krzewów i młodych drzew.** Cienki materiał może zostać pochwycony przez nóż i pociągnięty w stronę operatora lub spowodować utratę równowagi.
- **Należy utrzymywać kontrolę nad maszyną i nie dotykać tarcz tnących, żyłek i noży ani innych niebezpiecznych części ruchomych, gdy znajdują się one w ruchu.** Zmniejsza to ryzyko odniesienia obrażeń przez ruchome części.
- **Maszynę należy przenosić po jej wyłączeniu i z dala od ciała.** Prawidłowa obsługa maszyny zmniejsza prawdopodobieństwo przypadkowego kontaktu z poruszającą się tarczą tnącą, żyłką lub nożem.
- **Należy używać wyłącznie wymiennych tarcz tnących, żyłek, głowic tnących i noży zalecanych przez producenta.** Nieprawidłowe części zamienne mogą zwiększyć ryzyko uszkodzenia maszyny lub odniesienia obrażeń ciała.
- **Przed przystąpieniem do usuwania zakleszczonego materiału lub serwisowania maszyny należy upewnić się, że przełącznik zasilania jest ustawiony w położeniu wyłączenia, a akumulator jest wyjęty.** Nieoczekiwane uruchomienie maszyny podczas usuwania zakleszczonego materiału lub serwisowania może spowodować poważne obrażenia ciała.

Kontrola przed uruchomieniem

- Zawsze wyjmować akumulator, aby zabezpieczyć produkt przed przypadkowym uruchomieniem. Zawsze wyjmować akumulator przed wykonywaniem jakichkolwiek czynności konserwacyjnych na produkcie.
- Przed użyciem produktu i po każdym uderzeniu należy sprawdzić go pod kątem oznak zużycia lub uszkodzenia i w razie potrzeby naprawić.
- Dokonać inspekcji obszaru pracy. Usunąć wszystkie porozrzucane przedmioty, jak kamienie, szkło, gwoździe, druty, sznurki i inne, które mogą zostać odrzucone przez maszynę lub zaplątać się na przecinarce lub jej osłonie.
- Sprawdzić, czy nie ma pęknięć lub zanieczyszczeń na silniku. Za pomocą szczotki oczyścić silnik z trawy i liści. Rękawic należy używać wtedy, kiedy to jest konieczne.
- Sprawdzić, czy głowica żyłkowa jest przytwierdzona do wykaszarki.
- Sprawdzić, czy produkt działa prawidłowo. Sprawdzić, czy dokręcone są wszystkie śruby i nakrętki.
- Skontrolować, czy głowica żyłkowa i osłona sprzętu tnącego nie są uszkodzone ani pęknięte. Głowicę żyłkową lub osłonę sprzętu tnącego, które zostały uderzone lub na których występują pęknięcia, należy wymienić na nowe. Zawsze stosować osłonę zalecaną dla danego sprzętu tnącego. Patrz rozdział Dane techniczne.
- Użytkownik produktu jest zobowiązany dopilnować, aby podczas pracy żadne osoby postronne ani zwierzęta nie znajdowały się w odległości mniejszej niż 15 m. Jeśli w tym samym miejscu pracuje kilku użytkowników, odległość między nimi powinna wynosić co najmniej 15 m.
- Przed użyciem maszyny dokonaj jej ogólnego przeglądu. Patrz plan konserwacji.
- Użytkowanie regulują przepisy państwowe lub lokalne. Należy przestrzegać odpowiednich przepisów

Kieruj się zawsze zdrowym rozsądkiem

Nie jest możliwe omówienie wszystkich sytuacji, w jakich potencjalnie możesz się znaleźć. Zawsze zachowywać ostrożność i kierować się zdrowym rozsądkiem. Nie podejmować się prac przekraczających własne kwalifikacje. Jeżeli po przeczytaniu niniejszej instrukcji nadal są wątpliwości co do sposobów postępowania, nie kontynuować pracy i zwrócić się o poradę do eksperta.



OSTRZEŻENIE: Nigdy nie pozwalaj dzieciom na użytkowanie lub przebywanie w pobliżu urządzenia. Ponieważ maszynę łatwo uruchomić, dzieci mogą być w stanie ją włączyć, jeżeli nie będą pilnowane. Oznacza to ryzyko poważnych obrażeń. Dlatego należy odłączać akumulator, gdy maszyna nie jest pod nadzorem.

Ogólne zasady bezpieczeństwa



OSTRZEŻENIE: Przed rozpoczęciem użytkowania produktu przeczytać następujące ostrzeżenia.

- Wyjąć akumulator, aby zabezpieczyć maszynę przed przypadkowym uruchomieniem.
- Ten produkt jest niebezpiecznym narzędziem w przypadku nieostrożnego postępowania lub nieprawidłowego korzystania. Produkt może spowodować poważne obrażenia ciała lub śmierć operatora lub innych osób.
- Nie używać produktu w przypadku zmiany jego początkowych specyfikacji. Nie wymieniać części maszyny bez zgody producenta. Należy używać wyłącznie części zatwierdzonych przez producenta. Nieprawidłowa konserwacja może doprowadzić do obrażeń lub śmierci.
- Przed uruchomieniem produktu należy sprawdzić jego stan techniczny. Patrz *Zespoły zabezpieczające na produkcie na stronie 316 i Przegląd produktu na stronie 310*. Nie używać urządzenia, które jest uszkodzone lub nie działa prawidłowo. Przeprowadzać kontrole bezpieczeństwa oraz czynności z zakresu konserwacji i obsługi technicznej podane w niniejszej instrukcji.
- Należy dopilnować, aby produktem nie bawiły się dzieci. Nigdy nie pozwalać na użytkowanie ani serwisowanie produktu dzieciom lub innym osobom, które nie mają odpowiednich kwalifikacji. Lokalne przepisy mogą określać wiek operatora.
- Produkt należy przechowywać w zamkniętym miejscu, aby uniemożliwić dostęp do niego dzieciom i osobom nieupoważnionym.
- Przechowywać produkt w miejscu niedostępnym dla dzieci.
- Pod żadnym pozorem nie wolno zmieniać ani modyfikować fabrycznej konstrukcji urządzenia bez zezwolenia wydanego przez producenta. Zawsze należy korzystać z oryginalnych akcesoriów. Samowolne wprowadzanie zmian oraz/lub montowanie wyposażenia niezatwierdzonego przez producenta może stać się przyczyną groźnych obrażeń lub śmierci obsługującego urządzenie bądź innych osób.
- Zadeklarowana całkowita wartość drgań została zmierzona przy pomocy testu standardowego i może być używana do porównywania narzędzi.

- Zadeklarowana całkowita wartość drgań może być także używana do wstępnej oceny jej wielkości.
- Poziomy drgań występujące podczas pracy mogą różnić się od wartości zadeklarowanych, co jest zależne od sposobu używania narzędzia. Operatorzy powinni zidentyfikować zagrożenia oraz zastosować środki ochrony osobistej tak, aby uzyskać odpowiednią ochronę (należy wziąć pod uwagę cały cykl operacyjny, np. także czas, gdy narzędzie jest wyłączone lub pracuje na wolnych obrotach).

Uwaga: Użytkowanie może podlegać regulacji przepisami państwowymi lub lokalnymi. Należy przestrzegać odpowiednich przepisów

Środki ochrony osobistej



OSTRZEŻENIE: Przed rozpoczęciem użytkowania produktu przeczytać następujące ostrzeżenia.

- Podczas używania produktu zawsze nosić na sobie zatwierdzone środki ochrony osobistej. Środki ochrony osobistej nie eliminują ryzyka odniesienia obrażeń, ograniczają natomiast ich rozmiar w razie zaistnienia wypadku. Skorzystać z pomocy dealera przy wyborze odpowiedniego sprzętu.
 - Stosować atestowane ochronniki słuchu.
- (Rys. 19)
- Stosować atestowane środki ochrony oczu. Używając maski ochronnej twarzy, nosić także zatwierdzone okulary ochronne. Za zatwierdzone okulary ochronne uważane są takie, które są zgodne z normami ANSI Z87.1 dla USA lub EN 166 dla krajów UE.
- (Rys. 20)
- W razie potrzeby, na przykład podczas mocowania, sprawdzania lub czyszczenia osprzętu tnącego, stosować rękawice ochronne.
- (Rys. 21)
- Zakładać obuwie ochronne ze stalowymi noskami i antypoślizgowymi podeszwami.
- (Rys. 22)
- Nosić odzież wykonaną z mocnego materiału. Nosić odzież z długimi nogawkami i długimi rękawami, wykonaną z mocnego materiału. Luźne części odzieży mogą zahaczyć o krzewy lub gałęzie. Nie nosić biżuterii, krótkich spodni ani sandałów. Nie pracować boso. Związywać włosy w sposób bezpieczny powyżej poziomu barków.
 - Zawsze mieć pod ręką apteczkę.
- (Rys. 23)

Zespoły zabezpieczające na produkcji



OSTRZEŻENIE: Przed rozpoczęciem użytkowania produktu przeczytać następujące ostrzeżenia.

W tym rozdziale opisano funkcje bezpieczeństwa produktu, jego przeznaczenie oraz sposób przeprowadzania czynności kontrolnych i konserwacji, aby zapewnić jego poprawne działanie. Patrz wskazówki podane w punkcie *Wstęp na stronie 310*, aby sprawdzić, gdzie te części są zlokalizowane w Twoim produkcie.

Jeżeli urządzenie nie jest prawidłowo konserwowane i nie jest poddawane profesjonalnie wykonywanym naprawom i/lub obsłudze technicznej, skraca się jego żywotność i zwiększa ryzyko wypadu. Aby uzyskać dodatkowe informacje, należy skontaktować się z najbliższym punktem serwisowym.



OSTRZEŻENIE: Nie wolno używać urządzenia, którego elementy zabezpieczające są uszkodzone. Elementy zabezpieczające produktu należy kontrolować i konserwować zgodnie z opisem w niniejszym rozdziale. Jeżeli Twój produkt nie spełnia któregokolwiek z warunków kontrolnych, skontaktuj się z przedstawicielem serwisu w celu dokonania naprawy.



UWAGA: Wszelkie czynności obsługowe i naprawy maszyny wymagają specjalnego przeszkolenia. Szczególnie dotyczy to elementów zabezpieczających urządzenia. Jeżeli maszyna nie spełnia jakiegokolwiek z niżej wymienionych warunków kontrolnych, należy ją oddać do warsztatu obsługi technicznej. Kupując nasze produkty, zyskujesz także gwarancję profesjonalnej obsługi i napraw. Jeżeli w miejscu zakupu nie jest prowadzona obsługa serwisowa, zapytaj o adres najbliższego warsztatu obsługi technicznej.

Sprawdzenie klawiatury

1. Wcisnąć i przytrzymać przycisk start/stop (A). (Rys. 24)
 - a) Produkt jest włączony, gdy świeci się kontrolka LED (B).
 - b) Urządzenie jest wyłączone, gdy kontrolka LED (B) nie świeci.
2. Patrz *Klawiatura na stronie 322*, jeśli włączy się lub miga wskaźnik ostrzegawczy (C).

Sprawdzanie blokady manetki gazu

Blokada manetki gazu zapobiega przypadkowemu uruchomieniu. Naciśnięcie na blokadę manetki gazu (A) zwalnia ją (B). Po zwolnieniu uchwytu manetka gazu i blokada manetki gazu powrócą do swoich pozycji wyjściowych. (Rys. 25)

1. Sprawdzić, czy manetka gazu jest zablokowana, gdy jej blokada znajduje się w swoim położeniu wyjściowym. (Rys. 26)
2. Wcisnąć blokadę manetki gazu i sprawdzić, czy po zwolnieniu powraca ona do położenia wyjściowego. (Rys. 27)
3. Upewnić się, że manetka gazu i jej blokada poruszają się płynnie, a sprężyna powrotna działa prawidłowo. (Rys. 28)
4. Uruchomić produkt. Patrz *Uruchamianie produktu na stronie 320*.
5. Ustawić na pełną moc.
6. Zwolnić manetkę gazu i sprawdzić, czy osprzęt tnący całkowicie się zatrzymał.

Sprawdzanie osłony osprzętu tnącego



OSTRZEŻENIE: Nie wolno używać osprzętu tnącego bez zatwierdzonej i prawidłowo zamocowanej osłony. Zawsze stosować osłonę osprzętu tnącego zalecaną dla danego osprzętu tnącego, patrz *Dane techniczne na stronie 324*. Stosowanie niewłaściwych lub uszkodzonych osłon osprzętu tnącego może skutkować poważnymi obrażeniami.

Osłona osprzętu tnącego zapobiega odrzuceniu przedmiotów w kierunku operatora. Zapobiega również obrażeniom ciała w przypadku dotknięcia do osprzętu tnącego.

1. Wyłączyć silnik.
2. Przeprowadzić kontrolę wzrokową pod kątem uszkodzeń, na przykład pęknięć.
3. Wymienić osłonę osprzętu tnącego, jeśli jest uszkodzona.

Osprzęt tnący

Wybrać odpowiedni osprzęt tnący i zapewnić ich konserwację, aby:

- Uzyskać maksymalną wydajność cięcia.
- Przedłużyć okres eksploatacji osprzętu tnącego.



OSTRZEŻENIE: Korzystać wyłącznie z osprzętu tnącego wraz z zalecanymi przez nas osłonami! Patrz *Zatwierdzone akcesoria na stronie 325*. Procedura prawidłowego zakładania żyłki i ostrzy z tworzywa

sztucznego znajduje się w instrukcjach dotyczących osprzętu tnącego.



OSTRZEŻENIE: Uszkodzony osprzęt tnący może zwiększyć ryzyko wypadków.



OSTRZEŻENIE: Przed przystąpieniem do prac z jakimkolwiek osprzętem tnącym należy zawsze wyłączyć zasilanie. Po zwolnieniu manetki gazu osprzęt tnący dalej się obraca. Przed przystąpieniem do jakichkolwiek prac należy upewnić się, że osprzęt tnący zatrzymał się całkowicie, i odłączyć akumulator od produktu.

Osprzęt tnący



OSTRZEŻENIE: Należy zawsze upewnić się, czy żyłka jest równo i mocno nawinięta na bęben, aby zapobiec generowaniu szkodliwych dla zdrowia drgań.

(Rys. 29)

- Używać tylko zalecanego osprzętu tnącego.
- Długość żyłek również jest ważna. Dłuższa żyłka wymaga większej mocy silnika niż krótsza żyłka o tej samej średnicy.
- Upewnić się, że tarcza tnąca na osłonie osprzętu tnącego jest nienaruszona. Służy ona do przycinania żyłki na odpowiednią długość.
- Przed użyciem należy zamoczyć żyłkę w wodzie na kilka dni, aby wydłużyć jej okres eksploatacji.

Zasady bezpieczeństwa związane z akumulatorem



OSTRZEŻENIE: Przed rozpoczęciem użytkowania produktu przeczytać następujące ostrzeżenia.

- Należy używać wyłącznie akumulatora serii BLi i 40-B. Aby uzyskać szczegółowe informacje, patrz *Dane techniczne na stronie 324*. Akumulator jest zabezpieczony sztywnym programowym.
- Jako źródła zasilania do powiązanych produktów Husqvarna należy używać akumulatora z serii BLi i 40-B. Aby uniknąć obrażeń, nie należy używać akumulatora jako źródła zasilania innych produktów.
- Ryzyko porażenia prądem. Nie przykładaj zacisków akumulatora do kluczy, monet, śrub lub innych metalowych przedmiotów. Może to spowodować zwarcie akumulatora.
- Nie używać baterii jednorazowego użytku.
- Nie wkładać żadnych przedmiotów do szczeliny powietrznych akumulatora.

- Chronić akumulator przed bezpośrednim działaniem promieni słonecznych, wysoką temperaturą i otwartym płomieniem. Akumulator może spowodować oparzenia i/lub oparzenia chemiczne.
- Akumulator należy chronić przed deszczem i wodą.
- Akumulator należy chronić przed działaniem mikrofal i wysokiego ciśnienia.
- Nie próbować rozbierać ani rozbijać akumulatora.
- Jeśli doszło do wycieku z akumulatora, unikaj kontaktu cieczy ze skórą i oczami. W przypadku dotknięcia cieczy przemyć skórę dużą ilością wody z mydłem i zgłoś się do lekarza. W przypadku dostania się cieczy do oczu nie trzeć ich, ale spłukiwać wodą przez co najmniej 15 minut i zgłoś się do lekarza.
- Akumulator można używać w zakresie temperatur od -10 °C (14 °F) do 40 °C (114 °F).
- Do czyszczenia akumulatora i ładowarki nie należy używać wody. Patrz *Czyszczenie produktu, akumulatora i ładowarki na stronie 322*.
- Nie należy używać wadliwego ani uszkodzonego akumulatora.
- Przechowywać akumulatory z dala od metalowych przedmiotów, takich jak gwoździe, śruby czy biżuteria.
- Przechowywać akumulator z dala od dzieci.

Zasady bezpieczeństwa w czasie obsługi ładowarki



OSTRZEŻENIE: Przed rozpoczęciem użytkowania produktu przeczytać następujące ostrzeżenia.

- Nieprzestrzeganie zasad bezpieczeństwa stwarza ryzyko porażenia prądem lub wystąpienia zwarcia.
- Nie używać innych ładowarek do akumulatorów niż te dostarczone dla danego produktu. Należy używać wyłącznie ładowarek QC80 i 40-C80 do ładowania akumulatorów zastępczych z serii BLi i 40-B.
- Nie należy podejmować prób rozmontowania ładowarki.
- Nie należy używać wadliwej lub uszkodzonej ładowarki do akumulatora.
- Nie podnosić ładowarki do akumulatora za przewód zasilający. Aby odłączyć ładowarkę do akumulatora od gniazda, wyciągnąć wtyczkę. Nie ciągnąć za przewód.
- Należy chronić wszystkie przewody i przedłużacze przed działaniem wody, olejów oraz przedmiotów o ostrych krawędziach. Uważać także, aby przewód nie został zakleszczony między obiektami np. drzwiami, furtkami lub innymi.
- Nie używać ładowarki do akumulatora w pobliżu łatwopalnych materiałów lub materiałów, które mogą powodować korozję. Upewnić się, że ładowarka nie jest przykryta. W razie zauważenia dymu lub ognia należy odłączyć ładowarkę od źródła zasilania.

- Należy ładować akumulator wyłącznie wewnątrz budynku, w miejscu z dobrym przepływem powietrza i z dala od światła słonecznego. Nie należy ładować akumulatora na zewnątrz pomieszczeń. Nie ładować akumulatora w wilgotnym otoczeniu.
- Ładowarkę można użytkować w zakresie temperatur od 5°C do 40°C. Ładowarki należy używać w suchym, dobrze wentylowanym i wolnym od pyłów środowisku.
- Nie wkładać żadnych przedmiotów do szczelin wentylacyjnych ładowarki.
- Styków ładowarki nie należy zwierać metalowymi przedmiotami, gdyż może to wywołać zwarcie.
- Należy używać zatwierdzonych gniazd głównych, które nie są uszkodzone. Upewnić się, że przewód ładowarki nie jest uszkodzony. Jeżeli używane są przedłużacze, upewnić się, że nie są one uszkodzone.
- Nie należy ładować w ładowarkach baterii jednorazowego użytku.

produktu przeczytać następujące ostrzeżenia.

- Wyjąć akumulator przed rozpoczęciem prac konserwacyjnych, innych przeglądów lub montażu produktu.
- Użytkownikowi wolno wykonywać tylko te czynności konserwacyjne i serwisowe, które są wskazane w niniejszej instrukcji obsługi. W przypadku czynności konserwacyjnych i serwisowych o szerszym zakresie należy zwrócić się do autoryzowanego serwisu.
- Do czyszczenia akumulatora ani ładowarki nie należy używać wody. Silne detergenty mogą spowodować uszkodzenie tworzywa sztucznego.
- Zaniechanie czynności konserwacyjnych skróci cykl życia produktu i zwiększy ryzyko wypadków.
- Dla wszystkich prac serwisowych i naprawczych, zwłaszcza dla urządzeń zabezpieczających na produkcie, konieczne jest specjalne przeszkolenie. Jeśli nie wszystkie opisane w niniejszej instrukcji obsługi kontrole zakończą się pomyślnie po wykonaniu konserwacji, należy zwrócić się do autoryzowanego serwisu. Gwarantujemy profesjonalne naprawy i serwisowanie produktu.
- Używaj wyłącznie oryginalnych części zamiennych.

Instrukcje bezpieczeństwa dotyczące konserwacji



OSTRZEŻENIE: Przed rozpoczęciem prac konserwacyjnych

Montaż

Wstęp



OSTRZEŻENIE: Przed zmontowaniem produktu należy zapoznać się z rozdziałem dotyczącym bezpieczeństwa.

4. Zamontować nowy osprzęt tnący, wykonując czynności w odwrotnej kolejności. (Rys. 35) (Rys. 36)

Uwaga: Przed zamontowaniem osprzętu tnącego upewnić się, że napęd tarczy został zamontowany prawidłowo.

Montaż osłony osprzętu tnącego

1. Umieścić osłonę osprzętu tnącego na obudowie silnika. (Rys. 30)
2. Sprawdzić zaczepy blokujące. (Rys. 31)
3. Dokręcić śrubę. Użyć klucza dwustronnego. (Rys. 32)
4. Dokręcić śrubę.

Montaż osłony chroniącej przed odpryskami roślin

1. Zamontować osłonę chroniącą przed odpryskami roślin w otworach na obudowie silnika. (Rys. 37)
2. Sprawdzić, czy osłona chroniąca przed odpryskami roślin może się swobodnie poruszać do przodu i do tyłu. (Rys. 38)

Zmianianie osprzętu tnącego

1. Umieścić klucz dwustronny w otworze, aby zablokować wałek. (Rys. 33)
2. Obrócić osprzęt tnący i ostrożnie popchnąć klucz dwustronny do momentu, aż wałek zdawczy zostanie zablokowany.
3. Obrócić osprzęt tnący w prawo, aby go wyciągnąć. Przed zamontowaniem osprzętu tnącego upewnić się, że tarcza zabierakowa znajduje się w odpowiednim miejscu. (Rys. 34)

Montaż uchwyty pałkowego

1. Zamontować śrubę w uchwycie pałkowym. (Rys. 39)
2. Zamontować uchwyt pałkowy na osprzęcie na wałku.
3. Dokręć śruby.
4. Wyregulować uchwyt pałkowy do odpowiedniego położenia. Patrz *Regulacja uchwytu pałkowego i wałka teleskopowego na stronie 320*.

Montaż ładowarki (40-C80) na ścianie



UWAGA: Do montażu ładowarki na ścianie nie należy używać śrubokręta elektrycznego. Śrubokręt elektryczny może spowodować uszkodzenie ładowarki.

1. Zamontować ładowarkę na ścianie za pomocą 2 śrub (A). W razie potrzeby użyć kołków rozporowych (B). (Rys. 40)
2. Zamocować 2 zaślepki do otworów na śruby (C).
3. Podłączyć przewód zasilający (D) do ładowarki i gniazda zasilania.

Przeznaczenie

Wstęp



OSTRZEŻENIE: Przed użyciem produktu należy zapoznać się z rozdziałem dotyczącym bezpieczeństwa.

Przed użyciem urządzenia

- Sprawdzić obszar roboczy, aby zapoznać się z terenem. Sprawdzić nachylenie terenu oraz czy występują na nim przeszkody, takie jak kamienie, gałęzie i rowy.
- Przeprowadzić ogólny przegląd urządzenia.
- Wykonać kontrole bezpieczeństwa, czynności konserwacyjne i czynności serwisowe opisane w niniejszej instrukcji.
- Sprawdzić, czy na silniku nie ma pęknięć lub zanieczyszczeń. Aby usunąć trawę i liście z silnika, należy użyć szczotki. W razie potrzeby użyć rękawic.
- Sprawdzić głowicę żyłkową i osłonę osprzętu tnącego pod kątem uszkodzeń lub pęknięć. Wymienić głowicę żyłkową i osłonę osprzętu tnącego, jeżeli zostały uderzone lub są popękane.
- Upewnij się, że wszystkie nakrętki i śruby są dokręcone.
- Przed uruchomieniem produktu należy upewnić się, że narzędzie tnące oraz wszystkie pokrywy, osłony

i uchwyty są prawidłowo zamocowane i nie są uszkodzone.

Akumulator



OSTRZEŻENIE: Przed użyciem akumulatora należy zapoznać się z rozdziałem dotyczącym bezpieczeństwa. Należy również przeczytać uważnie instrukcję obsługi dołączonej do akumulatora i ładowarki.

Zapewnić akumulatorowi i ładowarce prawidłową temperaturę otoczenia.

	Temperatura otoczenia
Obsługa urządzenia	-5°C-40°C / 23°F-104°F
Ładowanie akumulatora	5°C-40°C / 41°F-104°F

Stan akumulatora

Na wyświetlaczu pokazywane są informacje o stanie naładowania akumulatora oraz ewentualne problemy.

(Rys. 41)

Wskaźnik diodowy	Stan akumulatora (stan naładowania)	
	BLi10, BLi20	40-B70, 40-B140
Świecą się 4 diody LED	N/D	Poziom naładowania akumulatora wynosi 76–100%.
Świecą się 3 diody LED	Poziom naładowania akumulatora wynosi 76–100%.	Poziom naładowania akumulatora wynosi 51–75%.
Świecą się 2 diody LED	Poziom naładowania akumulatora wynosi 51–75%.	Poziom naładowania akumulatora wynosi 26–50%.
Świeci się 1 dioda LED	Poziom naładowania akumulatora wynosi 26–50%.	Poziom naładowania akumulatora wynosi 6–25%.
Miga 1 dioda LED	Poziom naładowania akumulatora wynosi 0–25%.	Poziom naładowania akumulatora wynosi 0–5%.

Ładowanie akumulatora

Akumulator należy naładować przed pierwszym użyciem. Nowy akumulator jest naładowany jedynie w 30%.



UWAGA: Ładowarkę należy podłączać do gniazda zasilania o napięciu i częstotliwości zgodnymi z tabliczką znamionową.

Akumulator nie będzie się ładować, jeżeli jego temperatura przekroczy 50°C/122°F.

1. Podłączyć przewód zasilający do ładowarki.
2. Podłączyć ładowarkę do uziemionego gniazda zasilania. Dioda LED ładowania zamiga jeden raz. (Rys. 42)
3. Podłączyć akumulator do ładowarki. Zaświeci się dioda LED ładowania. Akumulator można ładować przez maks. 24 godziny. (Rys. 43)
4. Nacisnąć przycisk wskaźnika akumulatora. Jeśli zaświecą się wszystkie wskaźniki LED, akumulator jest w pełni naładowany.
5. Wyciągnąć wtyczkę przewodu zasilającego z gniazda, aby odłączyć ładowarkę od zasilania. Nie ciągnąć za przewód zasilający.
6. Akumulator należy wyjąć z ładowarki.

Podłączanie akumulatora do produktu



OSTRZEŻENIE: Należy używać wyłącznie oryginalnego akumulatora Husqvarna w urządzeniu.

1. Naładować całkowicie akumulator.
2. Wsunąć akumulator do uchwytu akumulatora produktu. Po usłyszeniu kliknięcia akumulator zablokuje się na miejscu. (Rys. 44)



UWAGA: Jeśli akumulator nie jest łatwo wsunąć do uchwytu, akumulator nie jest prawidłowo zainstalowany. Niezastosowanie się do tego zalecenia może spowodować uszkodzenie produktu.

Uruchamianie produktu

1. Nacisnąć i przytrzymać przycisk start/stop do momentu zapalenia się zielonej diody LED. (Rys. 45)
2. Nacisnąć blokadę manetki gazu i manetkę gazu. Osprzęt tnący zacznie się obracać.

Regulacja uchwytu pałkowego i wałka teleskopowego

1. Poluzować uchwyt blokujący i ustawić uchwyt pałkowy w żądanym położeniu. (Rys. 46)

2. Zamknąć uchwyt blokujący.
3. Poluzować dźwignię na wałku. (Rys. 47)
4. Ustawić żądaną długość na wałku. Upewnić się, że jest widoczny trójkąt na wałku. (Rys. 48)
5. Zamknąć dźwignię i dokręcić śrubę.

Uwaga: Nie wolno mocować uchwytu pałkowego na naklejkach ostrzegawczych na wałku.

Korzystanie z funkcji Save

Ten produkt jest wyposażony w funkcję oszczędzania energii Save.

Uwaga: Funkcja Save nie zmniejsza mocy cięcia urządzenia.

1. Nacisnąć przycisk Save na klawiaturze.
2. Sprawdzić, czy świeci zielona dioda LED.
3. Ponowne naciśnięcie przycisku Save wyłączy funkcję. Gaśnie zielona dioda LED. (Rys. 49)

Funkcja automatycznego wyłączenia

Produkt ma funkcję wyłączania, która zatrzymuje produkt, gdy nie jest on używany. Zielona dioda LED wskaźnika start/stop zgaśnie i urządzenie zatrzyma się po 180 sekundach.

Obsługa produktu

Koszenie trawy

1. Upewnić się, że podczas koszenia trawy ostrza z tworzywa sztucznego lub żyłka są ustawione równolegle względem podłoża. (Rys. 50)
2. Nie dociskać głowicy żyłkowej lub głowicy żyłkowej Tri-Cut do ziemi. Niezastosowanie się do tego zalecenia może spowodować uszkodzenie produktu.

Uwaga: Niska temperatura otoczenia, bliska 0°C, może spowodować pęknięcie ostrza lub żyłki.

3. Podczas koszenia trawy należy przemieszczać produkt z boku na bok. (Rys. 51)

Uwaga: Nie używać urządzenia z uszkodzonym osprzętem tnącym. Uszkodzony osprzęt tnący może spowodować zakłócenie równowagi, co może doprowadzić do uszkodzenia urządzenia.

Zamiatanie trawy

Strumień powietrza wytwarzany przez obracające się ostrza z tworzywa sztucznego lub żyłkę można wykorzystać do usuwania skoszzonej trawy z danego obszaru.

1. Trzymać głowicę żyłkową, ostrza z tworzywa sztucznego oraz żyłkę równolegle nad podłożem.

2. Włączyć pełne obroty.
3. Przesuwać osprzęt tnący z boku na bok, aby zamieść trawę.



OSTRZEŻENIE: Wyczyścić osłonę osprzętu tnącego po każdym założeniu nowych ostrzy z tworzywa sztucznego lub nowej żyłki, aby zapewnić prawidłowe wyważenie i zapobiec drganiu uchwytów. Sprawdzić pozostałe elementy osprzętu tnącego i wyczyścić w razie potrzeby.

Przycinanie trawy blisko obiektów

1. Pociągnąć w dół osłonę chroniącą rośliny. (Rys. 52)

2. Aby uniknąć uszkodzenia innych obiektów, należy używać osłony chroniącej rośliny. (Rys. 53)

Wyłączanie produktu

1. Zwolnić manetkę gazu i blokadę manetki gazu.
2. Naciskać przycisk start/stop, aż zielona dioda LED zgaśnie.
3. Nacisnąć przyciski zwalniające na akumulatorze i wyciągnąć go z produktu. (Rys. 54)

Wymiana ostrzy z tworzywa sztucznego lub żyłki

Patrz ostatnie strony instrukcji obsługi.

Przegląd

Wstęp



OSTRZEŻENIE: Przed przystąpieniem do konserwacji produktu zapoznać się z rozdziałem dotyczącym bezpieczeństwa.

Poniżej zamieszczono listę czynności konserwacyjnych, które należy wykonywać przy produkcji. Aby uzyskać więcej informacji, patrz *Przegląd produktu na stronie 310*.

Plan konserwacji



OSTRZEŻENIE: Wyjąć akumulator przed przystąpieniem do konserwacji.

Konserwacja	Codziennie	Co tydzień	Co miesiąc
Oczyszczyć zewnętrzne części produktu za pomocą suchej szmatki. Nie należy stosować wody.	X		
Upewnić się, że przycisk start/stop działa prawidłowo i nie jest uszkodzony.	X		
Sprawdzić, czy manetka gazu i blokada manetki gazu działają prawidłowo pod względem bezpieczeństwa.	X		
Upewnić się, że uchwyty są suche i czyste.	X		
Sprawdzić, czy osłona osprzętu tnącego nie jest uszkodzona. Wymienić osłonę osprzętu tnącego, jeśli jest uszkodzona.	X		
Dopilnować, aby uchwyt lub uchwyt sterowniczy nie został uszkodzony i był prawidłowo zamocowany.	X		
Sprawdzić mechanizm blokujący wału teleskopowego. Patrz <i>Sprawdzanie mechanizmu blokującego wału teleskopowego na stronie 322</i> .	X		
Sprawdzić ładowarkę, aby upewnić się, że działa ona poprawnie i nie jest uszkodzona.	X		
Należy sprawdzić, czy akumulator nie jest uszkodzony.	X		
Należy sprawdzić, czy akumulator jest naładowany.	X		
Należy sprawdzić, czy ładowarka akumulatora nie jest uszkodzona.	X		

Konserwacja	Codzien- nie	Co ty- dzień	Co mie- siąc
Upewnić się, że zewnętrzne śruby i nakrętki są prawidłowo dokręcone.		X	
Sprawdzić, czy prawidłowo działają przyciski zwalniające akumulator oraz czy blokują go w odpowiednim miejscu w urządzeniu.		X	
Sprawdzić szpulę głowicy żyłkowej pod kątem obecności smaru.		X	
Wyczyścić i sprawdzić połączenia pomiędzy akumulatorem a urządzeniem.			X
Wyczyścić i sprawdzić połączenie pomiędzy akumulatorem a ładowarką.			X

Sprawdzanie akumulatora i ładowarki

1. Sprawdzić akumulator pod kątem uszkodzeń, na przykład pęknięć.
2. Sprawdzić ładowarkę pod kątem uszkodzeń, na przykład pęknięć.
3. Należy regularnie sprawdzać, czy przewód połączeniowy ładowarki akumulatora nie jest uszkodzony ani popękany.

Czyszczenie produktu, akumulatora i ładowarki

1. Po użyciu wyczyścić produkt za pomocą suchej szmatki.
2. Wyczyścić akumulator i ładowarkę suchą szmatką. Akumulator i zaciski należy utrzymywać w czystości.
3. Upewnić się, że styki akumulatora i ładowarki są czyste przed umieszczeniem akumulatora w ładowarce lub w produkcie.

Sprawdzanie i wymiana głowicy żyłkowej Tri-Cut

1. Sprawdzić głowicę żyłkową Tri-Cut pod kątem uszkodzeń i pęknięć.
2. Zdemonstrować głowicę żyłkową Tri-Cut. *Informacje dotyczące demontażu głowicy żyłkowej Tri-Cut znajdują się na ostatniej stronie instrukcji obsługi.*
3. Zmontować głowicę żyłkową Tri-Cut. Patrz *Zmianianie osprzętu tnącego na stronie 318.*

Sprawdzanie mechanizmu blokującego wału teleskopowego

1. Sprawdzić mechanizm blokujący wału teleskopowego.
2. Wyregulować moment obrotowy. (Rys. 55)

Rozwiązywanie problemów

Klawiatura

Ekran LED	Możliwe usterki	Możliwe rozwiązanie
Miga dioda LED błędu.	Przeciążenie	Osprzęt tnący nie może się swobodnie poruszać. Uwolnij osprzęt tnący.
	Odchylenia temperatury	Poczekać na ostygnięcie produktu.
Produkt nie uruchamia się.	Jednocześnie nacisnąć manetkę gazu i włącznik.	Zwolnić manetkę gazu i wyłączyć produkt.
Dioda LED błędu świeci na czerwono.	Wymagany jest serwis produktu.	Zwrócić się do punktu serwisowego.

Akumulator

Wyświetlacz LED	Możliwe usterki	Możliwe działania
Miga zielona dioda LED.	Niskie napięcie akumulatora.	Naładować akumulator.

Wyświetlacz LED	Możliwe usterki	Możliwe działania
Miga dioda LED błędu.	Odczynnienia temperatury.	Akumulator można używać w zakresie temperatur od -10°C (14°F) do 40°C (104°F).
	Zbyt wysokie napięcie.	Upewnić się, że napięcie sieciowe jest zgodne z wartością podaną na tabliczce znamionowej produktu. Akumulator należy wyjąć z ładowarki.
Dioda LED błędu jest włączona.	Zbyt wysoka różnica między ogniwami (1 V).	Zwrócić się do punktu serwisowego.

Ładowarka

Problem	Możliwe usterki	Możliwe rozwiązanie
Dioda LED ładowania świeci się na czerwono.	Trwała usterka ładowarki akumulatora.	Należy skontaktować się z dealerem.
Kontrolka LED stanu ładowania miga na zielono.	Odczynnienia temperatury; akumulator jest zbyt zimny lub zbyt gorący do użytku lub ładowania.	Odczekać, aż akumulator ostygnie, lub ogrzać go. Gdy akumulator odzyska właściwą temperaturę, będzie mógł być ponownie użytkowany lub ładowany. Ładowarkę można użyć w zakresie temperatur 5–40°C (41–104°F).
Kontrolka LED stanu ładowania miga na czerwono.	Niesprawny akumulator.	Należy skontaktować się z dealerem.

Transport, przechowywanie i utylizacja

Transport i przechowywanie

- Dołączone akumulatory litowo-jonowe są zgodne z przepisami dotyczącymi towarów niebezpiecznych.
- Należy przestrzegać specjalnych zaleceń podanych na opakowaniu i etykietach, dotyczących transportu komercyjnego, w tym także usług transportowych świadczonych przez strony trzecie i spedytorów.
- Przed wysłaniem produktu należy porozmawiać z osobą przeszkoloną w zakresie materiałów niebezpiecznych. Przestrzegać wszystkich przepisów krajowych, które mają zastosowanie.
- Podczas umieszczania akumulatora w opakowaniu zabezpieczyć otwarte zaciski taśmą. Zapakować akumulator w taki sposób, aby ściśle przylegał do opakowania, co zapobiegnie jego przemieszczaniu.
- Wyjmować akumulator na czas przechowywania lub transportu.
- Przechowywać akumulator i ładowarkę w miejscu suchym i wolnym od wilgoci oraz nienarażonym na mróz.
- Nie przechowywać akumulatora w miejscu, gdzie może występować prąd statyczny. Nie przechowywać akumulatora w metalowym pojemniku.
- Przechowywać akumulator w miejscu, w którym temperatura wynosi od 5°C do 25°C, z dala od bezpośredniego działania promieni słonecznych.
- Przechowywać ładowarkę w miejscu, w którym temperatura wynosi od 5°C/41°F do 45°C/113°F, z dala od bezpośredniego działania promieni słonecznych.
- Ładowarkę należy użytkować w zakresie temperatur od 5°C do 40°C.
- Naładować akumulator od 30% do 50% przed dłuższym okresem jego przechowywania.
- Przechowywać ładowarkę w zamkniętym i suchym miejscu.
- Przechowywać akumulator z dala od ładowarki. Nie wolno pozwalać dzieciom ani innym osobom postronnym na dotykaniu sprzętu. Przechowywać sprzęt w miejscu, które można zamknąć.

- Przed odstawieniem urządzenia na dłuższe przechowywanie należy je wyczyścić oraz przeprowadzić pełny przegląd.
- Użyć osłony transportowej na produkcie, aby zapobiec obrażeniom lub uszkodzeniom urządzenia podczas transportu i przechowywania.
- Przymocować bezpiecznie produkt podczas transportu.

zwykłym odpadem domowym. Należy poddawać go recyklingowi w punkcie zbiórki sprzętu elektrycznego i elektronicznego. Pomaga to chronić środowisko i ludzi.

Skontaktować się z lokalnymi władzami, przedsiębiorstwem gospodarki komunalnej lub dealerem w celu uzyskania szczegółowych informacji dotyczących recyklingu.

Usuwanie akumulatora, ładowarki i produktu

Symbole znajdujące się na produkcie oraz na opakowaniu informują o tym, że produkt nie jest

Dane techniczne

Dane techniczne

215iL-TC	
Silnik	
Typ silnika	BLDC
Obroty wałka zdawczego, obr./min	6800
Szerokość koszenia, mm	255
Waga	
Ciężar bez akumulatora, kg	2,9
Poziom hałasu ⁵⁵	
Zmierzony poziom mocy akustycznej, dB(A)	90,8
Poziom głośności, gwarantowana moc akustyczna L _{WA} dB(A)	93
Poziomy głośności ⁵⁶	
Równoważny poziom ciśnienia akustycznego przy uchu operatora zmierzony zgodnie z normą IEC 62841-4-4, dB(A)	81,3
Poziomy drgań ⁵⁷	
Poziomy drgań uchwytów mierzone zgodnie z normą IEC 62841-4-4, m/s ²	3,0 / 2,7
W zestawie głowica żyłkowa (oryginalna), przód/tył.	

⁵⁵ Emisję hałasu do otoczenia zmierzono jako moc akustyczną (L_{WA}), zgodnie z dyrektywą Rady 2000/14/WE. Różnica pomiędzy gwarantowanym a zmierzonym poziomem ciśnienia akustycznego wynika z tego, że poziom gwarantowany uwzględnia także rozproszenie w wynikach pomiaru oraz różnice pomiędzy różnymi produktami o takim samym oznaczeniu modelowym zgodnie z dyrektywą 2000/14/WE.

⁵⁶ Odnotowane dane dotyczące równoważnego ciśnienia akustycznego produktu wykazują typowy rozrzut statystyczny (odchylenie standardowe) w wysokości 3 dB(A).

⁵⁷ Odnotowane dane dla poziomu wibracji mają typowe rozproszenie statystyczne (odchylenie standardowe) w wysokości 1,5 m/s².

Akumulatory zatwierdzone dla produktu

Akumulator	BLi10		BLi20		40-B70	40-B140
Typ	Litowo-jonowy		Litowo-jonowy		Litowo-jonowy	Litowo-jonowy
Pojemność akumulatora, Ah	Patrz naklejka z informacją o wartości znamionowej akumulatora		Patrz naklejka z informacją o wartości znamionowej akumulatora		Patrz naklejka z informacją o wartości znamionowej akumulatora	Patrz naklejka z informacją o wartości znamionowej akumulatora
Napięcie znamionowe, V	36	36,5	36	36,5	36	36
Waga, funty/kg	0,7	0,7	1,2	1,2	0,8	1,25

Ładowarki akumulatorów zatwierdzone dla urządzenia

Ładowarka	QC80	40-C80
Napięcie sieciowe, V	100-240	100-240
Częstotliwość, Hz	50-60	50-60
Moc, W	100	72
Napięcie wyjściowe, V d.c./ ampery, A	36/2	43/1,6

Akcesoria

Zatwierdzone akcesoria

Zatwierdzone akcesoria	Typ	Oslona osprzętu tnącego, nr art.
Głowica żyłkowa	R25B (żyłka Ø 2 mm)	529 96 69-01
Głowica żyłkowa	Tri-Cut B (255 mm)	529 96 69-01

Deklaracja zgodności

Deklaracja zgodności UE

Firma **Husqvarna AB**, SE-561 82 Huskvarna,
Szwecja, tel.: +46-36-146500, deklarujemy z pełną
odpowiedzialnością, że produkt:

Opis	Podkaszarka akumulatorowa
Marka	Husqvarna
Typ/model	215iL-TC
Identyfikacja	Numery seryjne z roku 2025 i nowsze

spełnia wszystkie wymagania określone w odpowiednich
dyrektywach i przepisach UE:

Dyrektywa/przepis	Opis
2006/42/WE	„w sprawie maszyn”
2014/30/UE	„w sprawie kompatybilności elektromagnetycznej”
2000/14/WE	„dotycząca emisji hałasu do środowiska”
2011/65/UE	„dotycząca ograniczenia użycia niektórych substancji niebezpiecznych w sprzęcie elektrycznym i elektronicznym”

oraz został zaprojektowany zgodnie z następującymi
normami i specyfikacjami technicznymi: EN
62841-1:2015+A11:2022, IEC 62841-4-4:2020, EN
ISO 12100:2010, EN IEC 63000:2018, EN IEC
55014-1:2021; EN IEC 55014-2:2021.

Jednostka notyfikowana: 0036 TÜV SÜD
Industrie Service GmbH, Westendstraße199,80686
München,Germany potwierdza zgodność z dyrektywą
rady 2000/14/WE, procedura oceny zgodności:
Załącznik VI.

Informacje dotyczące emisji hałasu podano w rozdziale
Dane techniczne na stronie 324.

Huskvarna, 2025-01-10

Claes Losdal, Dyrektor ds. badań i rozwoju, Husqvarna
AB

Osoba odpowiedzialna za dokumentację techniczną



ÍNDICE

Introdução.....	327	Transporte, armazenamento e eliminação.....	340
Segurança.....	328	Especificações técnicas.....	341
Montagem.....	335	Acessórios.....	342
Funcionamento.....	336	Declaração de conformidade.....	343
Manutenção.....	338	Anexo	478
Resolução de problemas.....	339		

Introdução

Descrição do produto

O Husqvarna 215iL-TC é um aparador de relva a bateria com motor elétrico.

Decorre um trabalho constante para aumentar a sua segurança e eficiência durante o funcionamento. Para mais informações, contacte o revendedor com assistência técnica.

Finalidade

O produto é utilizado com lâminas de plástico não metálicas. Não utilize o produto para outras tarefas além

de cortar ervas daninhas, relva ou vegetação suave semelhante.

Nota: A legislação nacional pode limitar a utilização deste produto.

Utilize apenas o produto com acessórios aprovados pelo fabricante. Consulte *Acessórios na página 342*.

Vista geral do produto

(Fig. 1)

1. Cabeça do aparador Tri-Cut
2. Proteção do acessório de corte
3. Eixo
4. Ajuste do eixo (telescópio)
5. Punho fechado
6. Teclado
7. Indicador de aviso do teclado
8. Botão Start/Stop
9. Botão SavE (economia)
10. Interruptor de alimentação
11. Bloqueio do interruptor de alimentação
12. Indicador de dispositivo ligado e aviso
13. Conetor
14. Carregador de bateria 40-C80
15. Proteção de plantas
16. Indicador de aviso da bateria
17. Estado da bateria
18. Botão indicador da bateria
19. Botões de desengate da bateria
20. Bateria
21. Ferramenta múltipla
22. Acionador
23. Manual do utilizador

Símbolos no produto

(Fig. 2) AVISO: Este produto pode ser perigoso e provocar ferimentos graves ou a morte do utilizador ou de terceiros. Tenha cuidado e utilize o produto corretamente.

(Fig. 3) Leia o manual do utilizador com atenção e certifique-se de que compreende as instruções antes de utilizar o produto.

(Fig. 4) Use proteção ocular e auditiva.

(Fig. 5) Não exponha à chuva.

(Fig. 6) Emissões de ruído para a etiqueta ambiental de acordo com as diretivas e regulamentos da UE (incluindo a legislação de Nova Gales do Sul) e do Reino Unido. Os dados das emissões de ruído podem ser encontrados na etiqueta da máquina no capítulo Especificações técnicas. Apenas aplicável quando o produto está equipado com uma linha do aparador.

(Fig. 7) Tenha cuidado com objetos projetados.

(Fig. 8) Desligue a bateria antes da manutenção.

(Fig. 9) O produto ou a respetiva embalagem não são resíduos domésticos. Recicle o equipamento numa estação de reciclagem para equipamentos elétricos e eletrónicos.

(Fig. 10) O produto está em conformidade com as diretivas aplicáveis da UE.

(Fig. 16)

A distância entre a máquina e terceiros deve ser de, pelo menos, 15 m (50 pés).

(Fig. 17)

Não utilize lâminas de metal.

aaaassxxxx

A etiqueta de tipo ou a impressão a laser apresenta o número de série. **aaaa** é o ano de fabrico e **ss** é a semana de fabrico.

(Fig. 11) O produto está em conformidade com os regulamento aplicáveis do Reino Unido.

(Fig. 12) Corrente contínua.

Símbolos na bateria e/ou no carregador da bateria

(Fig. 18) Recicle este produto numa estação de reciclagem para equipamentos elétricos e eletrónicos. (Válido unicamente na Europa)

(Fig. 13) Transformador contra-falhas.

(Fig. 14) Utilize e armazene o carregador da bateria apenas em espaços interiores.

(Fig. 15) Isolamento duplo.

Danos no produto

Não somos responsáveis por danos no nosso produto se:

- o produto tiver sido incorretamente reparado.
- o produto tiver sido reparado com peças que não sejam do fabricante ou que não sejam aprovadas pelo fabricante.
- o produto tiver um acessório que não seja do fabricante ou que não seja aprovado pelo fabricante.
- o produto não tiver sido reparado por um centro de assistência autorizado ou por uma autoridade aprovada.

Segurança

Definições de segurança

Os avisos, as precauções e as notas são utilizados para indicar partes especialmente importantes do manual.



ATENÇÃO: Utilizado no caso de existir risco de ferimento ou morte para o utilizador ou transeuntes, se não forem respeitadas as instruções do manual.



CUIDADO: Utilizado se existir risco de danos para o produto, para outros materiais ou para a área adjacente, se não forem respeitadas as instruções do manual.

Nota: Utilizado para disponibilizar informações adicionais necessárias numa determinada situação.

Avisos gerais de segurança da máquina



ATENÇÃO: Leia todos os avisos de segurança, as instruções, as ilustrações e as especificações fornecidos com esta máquina. O incumprimento das instruções indicadas abaixo poderá resultar em choques elétricos, incêndios e/ou ferimentos graves.

Guarde todos os avisos e instruções para referência futura.

Nota: O termo "máquina" nos avisos refere-se à sua máquina (com fios) ligada à corrente elétrica ou máquina (sem fios) de funcionamento a bateria.

Segurança na área de trabalho

- **Mantenha a área de trabalho limpa e bem iluminada.** As áreas desarrumadas ou escuras são propícias a acidentes.
- **Não utilize a máquina em atmosferas explosivas, como na presença de líquidos, gases ou poeiras inflamáveis.** As máquinas criam faíscas que podem inflamar poeiras ou gases.
- **Mantenha as crianças e restantes pessoas afastadas durante a utilização de uma máquina.** As distrações podem fazê-lo perder o controlo.

Segurança elétrica

- **As fichas das máquinas têm de corresponder à tomada. Nunca modifique a ficha de qualquer forma. Não utilize quaisquer fichas adaptadoras com máquinas ligadas à terra.** As fichas inalteradas e as tomadas correspondentes reduzem o risco de choque elétrico.
- **Evite o contacto corporal com superfícies ligadas à terra, tais como tubos, radiadores, fogões e frigoríficos.** Existe um risco acrescido de choque elétrico se o seu corpo estiver em contacto com a terra.
- **Não exponha as máquinas a chuva ou a condições de humidade.** A entrada de água numa máquina aumenta o risco de choque elétrico.
- **Não danifique o cabo elétrico. Nunca utilize o cabo elétrico para transportar, puxar ou desligar a máquina. Mantenha o cabo elétrico afastado de fontes de calor, óleo, arestas afiadas ou de peças em movimento.** Os cabos elétricos danificados ou emaranhados aumentam o risco de choque elétrico.
- **Ao utilizar uma máquina no exterior, utilize uma extensão elétrica adequada para utilização em exteriores.** A utilização de um cabo elétrico adequado para utilização no exterior reduz o risco de choque elétrico.
- **Se não puder evitar utilizar uma máquina num local húmido, utilize uma fonte de alimentação com corta-circuito com um dispositivo diferencial residual (RCD).** A utilização de um dispositivo de corrente residual (RCD) reduz o risco de choque elétrico.

Segurança pessoal

- **Mantenha-se em alerta, tenha atenção ao que está a fazer e use o bom senso ao utilizar uma máquina. Não utilize uma máquina se estiver cansado ou sob a influência de drogas, álcool ou medicação.** Um momento de desatenção ao utilizar as máquinas pode resultar em ferimentos pessoais graves.
- **Use equipamento de proteção pessoal. Use sempre proteção ocular.** A utilização de equipamento de proteção como máscara antipoeira, calçado de segurança antiderrapante, capacete ou protetores acústicos nas condições apropriadas irá reduzir os ferimentos pessoais.
- **Prevenção de arranque não intencional. Certifique-se de que o interruptor se encontra na posição de**

desligado antes de ligar a máquina a uma fonte de alimentação e/ou bateria, ou de a pegar ou transportar. Transportar as máquinas com o dedo no interruptor ou ligar as máquinas à corrente elétrica com o interruptor ligado é um convite aos acidentes.

- **Remova qualquer chave de ajuste ou chave de porcas antes de ligar a máquina.** Uma chave de porcas ou uma chave de ajuste ligada a uma peça em rotação da máquina pode resultar em ferimentos pessoais.
- **Não se debruce. Mantenha o equilíbrio e os pés sempre bem assentes.** Isto permite um melhor controlo da máquina em situações inesperadas.
- **Vista-se adequadamente. Não use peças de roupa soltas ou joias. Mantenha o cabelo e roupas longe de quaisquer peças em movimento.** Roupas soltas, joias ou cabelo comprido podem ser apanhados nas peças em movimento.
- **Se forem fornecidos dispositivos para a ligação de equipamentos de extração e de recolha de poeiras, assegure-se de que estes estão ligados e são utilizados corretamente.** A utilização da recolha de pó pode reduzir os riscos relacionados com poeiras.
- **Siga sempre os princípios de segurança das máquinas, mesmo que já esteja familiarizado com as mesmas devido a utilização frequente.** Uma ação descuidada pode provocar ferimentos graves numa fração de segundo.

Utilização e manutenção da máquina

- **Não force a máquina. Utilize a máquina adequada à sua aplicação.** A máquina adequada proporcionará melhores resultados e permitirá uma utilização em segurança para os fins a que se destina.
- **Não utilize a máquina se o interruptor não a ligar e desligar.** Qualquer máquina que não possa ser controlada com o interruptor é perigosa e tem de ser reparada.
- **Desligue a ficha da fonte de alimentação elétrica e/ou retire a bateria, se amovível, da máquina antes de efetuar quaisquer ajustes, substituir acessórios ou guardar as máquinas.** Estas medidas de prevenção reduzem o risco de ligar a máquina acidentalmente.
- **Guarde as máquinas que não estão a ser utilizadas fora do alcance das crianças e não permita que pessoas não familiarizadas com as máquinas ou com estas instruções as utilizem.** As máquinas são perigosas nas mãos de utilizadores inexperientes.
- **Efetue a manutenção das máquinas e dos acessórios. Verifique a existência de bloqueios ou de falhas no alinhamento de peças móveis, danos das peças e qualquer outra condição que possa afetar o funcionamento da máquina. Se estiver danificada, repare a máquina antes de a utilizar.** Muitos acidentes são causados por máquinas com uma manutenção inadequada.
- **Mantenha as ferramentas de corte afiadas e limpas.** As máquinas de corte com as zonas de corte afiadas e devidamente mantidas têm menos

probabilidades de bloquear e são mais fáceis de controlar.

- **Utilize a máquina, acessórios e brocas, etc. de acordo com estas instruções, tendo em consideração as condições de funcionamento e o trabalho a ser executado.** A utilização da máquina para operações diferentes das previstas pode resultar numa situação perigosa.
- **Mantenha os punhos e as superfícies onde se segura secos, limpos e sem óleo nem massa lubrificante.** As superfícies onde se segura e os punhos escorregadios não permitem um controlo e um manuseamento seguros da máquina em situações inesperadas.

Utilização e manutenção da máquina a bateria

- **Recarregue a bateria apenas com o carregador especificado pelo fabricante.** Um carregador adequado para um tipo de bateria pode criar risco de incêndio quando usado com outra bateria.
- **Utilize as máquinas apenas com as baterias especificamente concebidas para as mesmas.** A utilização de quaisquer outras baterias pode criar risco de ferimentos e incêndio.
- **Quando a bateria não está a ser utilizada, mantenha-a afastada de outros objetos metálicos, como clips, moedas, chaves, pregos, parafusos ou outros objetos metálicos pequenos que possam fazer a ligação entre os dois terminais.** Provocar curto-circuitos nos terminais das baterias pode provocar queimaduras ou um incêndio.
- **Em condições extremas, é possível que o líquido da bateria varta; evite o contacto. Se ocorrer algum contacto acidental, lave com água. Se o líquido entrar em contacto com os olhos, procure assistência médica adicional.** O líquido vertido da bateria pode provocar irritações ou queimaduras.
- **Não utilize uma bateria ou máquina que se encontre danificada ou modificada.** As baterias danificadas ou modificadas podem apresentar um comportamento imprevisível que pode resultar em incêndios, explosões ou ferimentos graves.
- **Não exponha uma bateria ou máquina a fogo ou temperaturas excessivas.** A exposição a fogo ou a temperaturas superiores a 130 °C/265 °F pode provocar uma explosão.
- **Siga todas as instruções de carregamento e não carregue a bateria ou a máquina fora do intervalo de temperatura especificado nas instruções.** Os carregamentos impróprios ou a temperaturas fora do intervalo especificado podem danificar a bateria e aumentar o risco de incêndio.

Manutenção

- **Garanta que a manutenção da sua máquina é efetuada por um técnico de reparações qualificado e que utiliza apenas peças de substituição idênticas.** Desta forma, garante a manutenção da segurança da máquina.

- **Nunca efetue a manutenção de baterias danificadas.** A manutenção das baterias deve ser efetuada apenas pelo fabricante ou por prestadores de serviços autorizados.

Avisos de segurança do aparador de relva

- **Não utilize a máquina em más condições climatéricas, principalmente quando existir risco de ocorrência de relâmpagos.** Isto diminui o risco de ser atingido por relâmpagos.
- **Inspeccione cuidadosamente a área quanto à existência de vida selvagem no local onde a máquina será utilizada.** A vida selvagem pode ser ferida pela máquina durante o funcionamento.
- **Inspeccione minuciosamente a área onde a máquina será utilizada e retire todas as pedras, paus, fios, ossos e outros objetos estranhos.** Os objetos projetados podem causar ferimentos pessoais.
- **Antes de utilizar a máquina, efetue sempre uma inspeção visual para verificar se existem danos na roçadora, na lâmina ou no conjunto de roçadora e lâmina.** As peças danificadas aumentam o risco de ferimentos.
- **Siga as instruções de substituição de acessórios.** As porcas ou parafusos de fixação da lâmina que se encontrem apertados de forma inadequada podem danificar a lâmina ou resultar na sua libertação.
- **Use proteções para os olhos, ouvidos, cabeça e mãos.** A utilização de equipamento de proteção adequado irá reduzir o risco de ferimentos pessoais provocados por detritos arremessados ou por contacto acidental com as lâminas ou linhas.
- **Durante o funcionamento da máquina, utilize sempre calçado antiderrapante de proteção. Não opere a máquina se estiver descalço ou com sandálias abertas.** Isto reduz a possibilidade de ferimentos nos pés devido ao contacto com lâminas ou linhas em movimento.
- **Durante a utilização da máquina, use sempre calças compridas.** A pele exposta aumenta a probabilidade de ferimentos causados por objetos projetados.
- **Mantenha as pessoas afastadas durante o funcionamento da máquina.** A projeção de detritos pode causar ferimentos pessoais graves.
- **Utilize sempre ambas as mãos quando estiver a trabalhar com a máquina.** Segure a máquina com ambas as mãos para evitar perder o controlo.
- **Segure a máquina apenas pelas superfícies de agarrar isoladas, uma vez que a linha ou lâmina de corte pode entrar em contacto com fios elétricos ocultos.** O contacto da linha ou lâmina de corte com um fio com tensão pode energizar as peças metálicas expostas da máquina e, por conseguinte, provocar um choque elétrico no utilizador.
- **Mantenha sempre uma colocação dos pés adequada e utilize a máquina apenas quando se encontrar sobre o solo.** As superfícies escorregadias ou instáveis podem causar uma perda de equilíbrio ou do controlo da máquina.

- **Não utilize a máquina em declives excessivamente íngremes.** Isto reduz o risco de perda de controlo, escorregamento e queda, que pode resultar em ferimentos pessoais.
 - **Ao trabalhar em declives, certifique-se sempre da colocação dos pés, trabalhe sempre ao longo da face dos declives, nunca para cima ou para baixo, e tenha muito cuidado ao mudar de direção.** Isto reduz o risco de perda de controlo, escorregamento e queda, que pode resultar em ferimentos pessoais.
 - **Mantenha todas as partes do corpo afastadas da roçadora, linha ou lâmina quando a máquina se encontrar em funcionamento. Antes de ligar a máquina, certifique-se de que a roçadora, linha ou lâmina não estão em contacto com qualquer objeto.** Um momento de desatenção durante a utilização da máquina pode resultar em ferimentos em si ou em terceiros.
 - **Não opere a máquina acima da altura da cintura.** Isto ajuda a evitar o contacto accidental da roçadora ou lâmina com objetos e proporciona um melhor controlo da máquina em situações inesperadas.
 - **Ao cortar silvado ou árvores jovens que se encontrem sob tensão, tenha cuidado para que estes não sejam arremessados contra si.** Quando a tensão nas fibras da madeira é libertada, o silvado ou as árvores jovens podem ser arremessados contra o utilizador e/ou descontrolar a máquina.
 - **Tenha muito cuidado ao cortar silvado e árvores jovens.** Os materiais finos podem ficar presos na lâmina e ser projetados na sua direção ou fazer com que perca o equilíbrio.
 - **Mantenha o controlo da máquina e não toque em roçadoras, linhas ou lâminas e outras peças móveis perigosas enquanto estas ainda se encontrarem em movimento.** Isto reduz o risco de ferimentos provocados por peças móveis.
 - **Transporte a máquina desligada e afastada do seu corpo.** O manuseamento adequado da máquina irá reduzir a probabilidade de contacto accidental com uma roçadora, linha ou lâmina em movimento.
 - **Utilize apenas roçadoras, linhas, cabeças de corte e lâminas de substituição especificadas pelo fabricante.** As peças de substituição incorretas podem aumentar o risco de quebra e ferimentos.
 - **Quando estiver a remover material encravado ou a efetuar a manutenção da máquina, certifique-se de que o interruptor está desligado e de que a bateria foi removida.** A ativação inesperada da máquina enquanto é efetuada a remoção de material encravado ou a manutenção pode resultar em ferimentos pessoais graves.
- danos e proceda à respetiva reparação, conforme necessário.
- Inspeccione a área de trabalho. Remova todos os objetos soltos, como pedras, vidros partidos, pregos, arame, cordas, etc., que possam ser arremessados ou enredar-se na cortadora ou na respetiva proteção.
 - Verifique o motor quanto à existência de sujidade e fissuras. Limpe a relva e as folhas do motor com uma escova. Deve-se usar luvas quando necessário.
 - Certifique-se de que a cabeça do aparador se encontra totalmente ligada ao aparador.
 - Verifique se o produto está em perfeitas condições de funcionamento. Certifique-se de que todas as parcas e os parafusos estão bem apertados.
 - Verifique se a cabeça do aparador e a proteção do acessório de corte não apresentam danos e fissuras. Substitua a cabeça do aparador ou a proteção do acessório de corte se tiverem sido sujeitas a impactos ou se apresentarem fissuras. Utilize sempre a proteção recomendada para o acessório de corte específico. Consulte o capítulo de especificações técnicas.
 - O utilizador do produto tem de verificar se não se encontra qualquer pessoa ou animal num raio de 15 metros enquanto trabalha. Sempre que vários utilizadores se encontrem a trabalhar em simultâneo no mesmo local, a distância de segurança deve ser, no mínimo, de 15 metros.
 - Efetue uma inspeção geral do produto antes de o utilizar. Observe o esquema de manutenção.
 - A utilização pode estar sujeita a regulamentos nacionais ou locais. Respeite os regulamentos estabelecidos.

Use sempre o seu bom senso

Não é possível cobrir todas as situações possíveis que poderá enfrentar. Actue sempre com precaução e use de senso comum. Evite todas as situações que considere estarem para além das suas capacidades. Caso se sinta inseguro acerca dos procedimentos de operação depois de ler estas instruções, consulte um perito antes de prosseguir.



ATENÇÃO: Nunca permita que uma criança utilize a máquina ou se encontre na proximidade da mesma. Uma vez que a máquina se liga facilmente, as crianças podem conseguir ligá-la se não forem vigiadas em permanência. Isto pode implicar um risco de ferimentos pessoais graves. Por isso, desligue a bateria quando a máquina não estiver sob vigilância.

Verificação pré-arranque

- Retire sempre a bateria para evitar que o produto comece a funcionar accidentalmente. Retire sempre a bateria antes de realizar qualquer tipo de manutenção no produto.
- Antes de utilizar o produto e após um impacto, verifique se existem sinais de desgaste ou

Instruções de segurança gerais



ATENÇÃO: Leia as instruções de aviso que se seguem antes de utilizar o produto.

- Retire a bateria para evitar que o produto seja ligado acidentalmente.
- Se o utilizador não for cuidadoso ou se o produto for utilizado de forma incorreta, este produto é uma ferramenta perigosa. Este produto pode provocar ferimentos graves ou a morte do utilizador ou terceiros.
- Não utilize o produto se este for alterado da sua especificação inicial. Não altere uma parte do produto sem a aprovação do fabricante. Utilize apenas peças que sejam aprovadas pelo fabricante. Ferimentos ou morte são resultados possíveis de manutenção incorreta.
- Verifique o produto antes de o utilizar. Consulte *Dispositivos de segurança no produto na página 332 e Vista geral do produto na página 327*. Não utilize um produto que esteja danificado ou que não funcione corretamente. Efetue as verificações de segurança e cumpra as instruções de manutenção e assistência técnica descritas neste manual.
- As crianças devem ser vigiadas para garantir que não brinquem com o produto. Não permita em circunstância alguma que uma criança ou outras pessoas que não saibam utilizar o produto e/ou a bateria o utilizem ou realizem operações de manutenção. A legislação local pode regular a idade do utilizador permitida.
- Mantenha o produto numa área trancada para impedir o acesso a crianças ou pessoas que não disponham de aprovação.
- Mantenha o produto fora do alcance de crianças.
- Não é permitido modificar, em circunstância alguma, a configuração original do produto sem a autorização expressa do fabricante. Utilize sempre acessórios originais. A realização de modificações e/ou a utilização de acessórios não autorizados podem provocar ferimentos pessoais graves ou perigo de vida para o utilizador e terceiros.
- O valor total de vibração declarado foi medido de acordo com um método de teste padrão e pode ser utilizado para comparar ferramentas.
- O valor total de vibração declarado também pode ser utilizado para uma avaliação preliminar da exposição.
- A emissão de vibrações durante a utilização da ferramenta pode ser diferente do valor total declarado, dependendo da forma como a ferramenta é utilizada. Os utilizadores devem identificar as medidas de segurança necessárias à respetiva proteção, com base numa estimativa de exposição em condições reais de utilização (tendo em conta todas as fases do ciclo de funcionamento, tais como o número de vezes que a ferramenta é ligada e

desligada e quando está em marcha em vazio ou ativada).

Nota: A utilização pode estar sujeita a legislação nacional ou local. Respeite os regulamentos estabelecidos.

Equipamento de proteção pessoal



ATENÇÃO: Leia as instruções de aviso que se seguem antes de utilizar o produto.

- Utilize sempre equipamento de proteção pessoal aprovado ao utilizar o produto. O equipamento de proteção pessoal não previne totalmente os ferimentos mas diminui a respetiva gravidade em caso de acidente. Obtenha ajuda junto do seu revendedor para selecionar o equipamento certo.
- Utilize protetores acústicos aprovados.

(Fig. 19)

- Utilize proteção ocular aprovada. Mesmo com viseira, é necessário utilizar óculos de proteção aprovados. É necessário que os óculos de proteção aprovados estejam em conformidade com a norma ANSI Z87.1 nos EUA ou a norma EN 166 nos países da UE.

(Fig. 20)

- Utilize luvas sempre que necessário; por exemplo, ao fixar, examinar ou limpar o equipamento de corte.

(Fig. 21)

- Utilize botas de proteção com biqueira de aço e solas antiderrapantes.

(Fig. 22)

- Utilize vestuário fabricado com um tecido resistente. Utilize sempre calças e mangas compridas grossas. Não utilize vestuário largo que possa ficar preso em galhos e ramos. Não utilize joias, calções ou sandálias. Não realize as tarefas descalço(a). Coloque o seu cabelo acima dos ombros para maior segurança.
- Mantenha equipamentos de primeiros socorros sempre à mão.

(Fig. 23)

Dispositivos de segurança no produto



ATENÇÃO: Leia as instruções de aviso que se seguem antes de utilizar o produto.

Nesta secção, descrevem-se as características de segurança do produto, a sua função e ainda a forma de efetuar a verificação e manutenção para garantir o funcionamento correto do mesmo. Consulte as instruções na secção *Introdução na página 327* para conhecer a localização destas peças no seu produto.

Se a manutenção do produto não for devidamente efetuada, e se a assistência e/ou as reparações não forem realizadas por profissionais, a vida útil do produto pode ser afetada e o risco de acidentes pode aumentar. Para obter mais informações, contacte o seu distribuidor local.



ATENÇÃO: Nunca utilize um produto com componentes de segurança danificados. O equipamento de segurança do produto tem de ser inspecionado e a sua manutenção feita conforme se descreve nesta secção. Se o produto falhar alguma destas verificações, entre em contacto com uma oficina autorizada para a sua reparação.



CUIDADO: Todos os trabalhos de manutenção e reparação da máquina requerem formação especializada. Isto aplica-se especialmente ao equipamento de segurança da máquina. Se a máquina falhar alguma das verificações que se seguem, é necessário contactar a sua oficina autorizada. A compra de qualquer um dos nossos produtos garante-lhe a obtenção de reparação e assistência profissionais. Se o local da compra da máquina não for um dos nossos distribuidores com assistência técnica, solicite a morada do agente de assistência mais próximo.

Verificar o teclado

1. Prima e mantenha premido o botão de arranque/paragem (A). (Fig. 24)
 - a) O produto está ligado quando o LED (B) está aceso.
 - b) O produto está desligado quando o LED (B) está apagado.
2. Consulte *Teclado na página 339* se o indicador de aviso (C) se acender ou ficar intermitente.

Verificar o bloqueio do interruptor de alimentação

O bloqueio do interruptor de alimentação impede um arranque acidental. Ao premir o bloqueio do interruptor de alimentação (A), este solta o interruptor de alimentação (B). Quando solta o punho, o interruptor de alimentação e o respetivo bloqueio regressam às suas posições iniciais. (Fig. 25)

1. Certifique-se de que o interruptor de alimentação está bloqueado quando o bloqueio do interruptor de alimentação se encontra na respetiva posição inicial. (Fig. 26)
2. Empurre o interruptor de alimentação e certifique-se de que este regressa à respetiva posição inicial quando é libertado. (Fig. 27)

3. Certifique-se de que o interruptor de alimentação e o respetivo bloqueio se deslocam livremente e que a mola de retorno funciona corretamente. (Fig. 28)
4. Ligue o produto. Consulte *Arranque na página 337*.
5. Aplique a potência máxima.
6. Solte o interruptor de alimentação e certifique-se de que o acessório de corte para completamente.

Verificar a proteção do acessório de corte



ATENÇÃO: Não utilize um acessório de corte sem uma proteção para o acessório de corte aprovada e corretamente instalada. Utilize sempre a proteção do equipamento de corte recomendada para o equipamento de corte que utilizar; consulte *Especificações técnicas na página 341*. Caso esteja montada uma proteção do acessório de corte incorreta ou defeituosa, tal pode causar ferimentos pessoais graves.

A proteção do acessório de corte protege o utilizador dos objetos que são projetados na sua direção. A proteção do acessório de corte também evita ferimentos que podem ocorrer se tocar no acessório de corte.

1. Pare o motor.
2. Efetue uma inspeção visual para verificar se existem danos, como por exemplo fissuras.
3. Substitua a proteção do equipamento de corte, caso esteja danificada.

Equipamento de corte

Selecione o equipamento de corte correto e efetue a manutenção do equipamento de corte para:

- Obter o máximo desempenho de corte.
- Aumentar a vida útil do equipamento de corte.



ATENÇÃO: Utilize apenas acessórios de corte com as proteções recomendadas! Consulte *Acessórios aprovados na página 342*. Consulte as instruções do acessório de corte para encontrar a forma correta de carregar a linha do aparador e as lâminas de plástico.



ATENÇÃO: Um acessório de corte danificado pode aumentar o risco de acidentes.



ATENÇÃO: Desligue sempre a potência antes de efetuar o trabalho no acessório de corte. Este continua a girar depois de libertar o interruptor de alimentação. Certifique-se de que o acessório de corte parou completamente

e desligue a bateria do produto antes de realizar qualquer trabalho no mesmo.

Acessório de corte



ATENÇÃO: Certifique-se sempre de que a linha do aparador é enrolada firme e uniformemente à volta do tambor, para evitar a ocorrência de vibrações prejudiciais.

(Fig. 29)

- Utilize apenas acessórios de corte recomendados.
- O comprimento da linha do aparador é importante. Uma linha do aparador mais comprida requer maior potência do motor do que uma linha do aparador mais curta de igual diâmetro.
- Certifique-se de que a lâmina da proteção do acessório de corte está intacta. Isto corta a linha do aparador com o comprimento correto.
- Embeba a linha do aparador em água durante dois dias antes da utilização para aumentar a vida útil.

Segurança da bateria



ATENÇÃO: Leia as instruções de aviso que se seguem antes de utilizar o produto.

- Apenas utilize baterias das séries BLi e 40-B. Para obter mais informações, consulte *Especificações técnicas na página 341*. A bateria tem software encriptado.
- Utilize as baterias das séries BLi e 40-B recarregáveis como fonte de alimentação apenas para os produtos Husqvarna relacionados. Para evitar ferimentos, não utilize a bateria como fonte de alimentação para outros produtos.
- Risco de choque elétrico. Não ligue os terminais da bateria a chaves, moedas, parafusos ou outros metais. Caso contrário, pode provocar um curto-circuito da bateria.
- Não utilize baterias não recarregáveis.
- Não coloque objetos nas aberturas de ventilação da bateria.
- Mantenha a bateria afastada do sol, calor ou de chamas abertas. A bateria pode causar queimaduras e/ou queimaduras químicas.
- Mantenha a bateria afastada de chuva e condições de humidade.
- Mantenha a bateria afastada de micro-ondas e alta pressão.
- Não tente desmontar ou partir a bateria.
- Em caso de fuga da bateria, evite o contacto do líquido com a pele ou com os olhos. Em caso de contacto com o líquido, limpe a área com água e sabão abundantes e procure assistência médica. Se o líquido entrar em contacto com os olhos, não

- os esfregue; lave os olhos com água durante, pelo menos, 15 minutos e procure assistência médica.
- Utilize a bateria a temperaturas entre -10 °C (14 °F) e 40 °C (114 °F).
- Não limpe a bateria nem o carregador de bateria com água. Consulte *Limpar o produto, a bateria e o carregador da bateria na página 339*.
- Não utilize uma bateria danificada ou com defeito.
- Mantenha as baterias armazenadas afastadas de objetos metálicos como, por exemplo, pregos, parafusos ou joias.
- Mantenha as baterias afastadas de crianças.

Segurança do carregador de bateria



ATENÇÃO: Leia as instruções de aviso que se seguem antes de utilizar o produto.

- Risco de choque elétrico ou curto-circuito se as instruções de segurança não forem cumpridas.
- Não utilize outros carregadores de baterias que não o fornecido para o seu produto. Utilize apenas carregadores QC80 e 40-C80 para carregar as baterias de substituição das séries BLi e 40-B.
- Não tente desmontar o carregador de bateria.
- Não utilize um carregador de bateria que esteja com defeito ou danificado.
- Não utilize o cabo de alimentação para levantar o carregador de bateria. Para desligar o carregador de bateria de uma tomada elétrica, puxe a ficha. Não puxe o cabo de alimentação.
- Mantenha todos os cabos e cabos de extensão afastados de água, óleo e arestas afiadas. Certifique-se de que o cabo não fica entalado em objetos como, por exemplo, portas, cercas ou objetos equivalentes.
- Não utilize o carregador de bateria próximo de materiais inflamáveis ou materiais que possam provocar corrosão. Certifique-se de que o carregador de bateria não está coberto. Em caso de fumo ou fogo, desligue o carregador de bateria da tomada.
- Carregue a bateria apenas em espaços interiores, com um bom fluxo de ar e sem exposição à luz solar. Não carregue a bateria no exterior. Não carregue a bateria em condições de humidade.
- Utilize apenas o carregador de bateria onde a temperatura se encontrar entre 5 °C (41 °F) e 40 °C (104 °F). Utilize o carregador em ambientes bem ventilados, secos e isentos de poeiras.
- Não coloque objetos nas aberturas de arrefecimento do carregador de bateria.
- Não ligue os terminais do carregador de bateria a objetos metálicos, uma vez que pode provocar um curto-circuito no carregador de bateria.
- Utilize tomadas de parede aprovadas e que não se encontrem danificadas. Certifique-se de que o cabo do carregador de bateria não está danificado. Se

forem utilizados cabos de extensão, certifique-se de que os mesmos não estão danificados.

- Não carregue baterias não recarregáveis nos carregadores de bateria.

Instruções de segurança para manutenção



ATENÇÃO: Leia as instruções de aviso que se seguem antes de efetuar tarefas de manutenção no produto.

- Retire a bateria antes de efetuar tarefas de manutenção, outras verificações, ou de montar o produto.
- O operador só pode efetuar as tarefas de manutenção e assistência descritas neste manual

do utilizador. Contacte o seu revendedor com assistência técnica para tarefas de manutenção e assistência de maior extensão.

- Não limpe a bateria ou o carregador com água. Os detergentes fortes podem danificar o plástico.
- Se não proceder à manutenção, irá diminuir o ciclo de vida do produto e aumentar o risco de acidentes.
- É necessária formação especializada para todos os trabalhos de assistência e reparação, especialmente para os dispositivos de segurança do produto. Se, após efetuar tarefas de manutenção, nem todas as verificações deste manual forem aprovadas, contacte o seu revendedor com assistência técnica. Garantimos que existem reparações e assistência profissionais disponíveis para o seu produto.
- Utilize sempre peças sobresselentes originais.

Montagem

Introdução



ATENÇÃO: Certifique-se de que lê e compreende o capítulo sobre segurança antes de montar o produto.

Fixar a proteção do acessório de corte

1. Coloque a proteção do acessório de corte contra o alojamento do motor. (Fig. 30)
2. Verifique os ganchos de bloqueio. (Fig. 31)
3. Aperte o parafuso. Utilize uma chave combinada. (Fig. 32)
4. Aperte o parafuso.

Alterar o acessório de corte

1. Coloque a chave combinada no orifício para bloquear o eixo. (Fig. 33)
2. Rode o acessório de corte e empurre cuidadosamente a chave combinada até o eixo de saída estar bloqueado.
3. Rode o acessório de corte para a direita para o remover. Certifique-se de que o disco de acionamento está no devido lugar antes de instalar o acessório de corte. (Fig. 34)
4. Instale o novo acessório de corte pela ordem inversa. (Fig. 35) (Fig. 36)

Nota: Certifique-se de que o disco de acionamento está corretamente colocado antes de instalar o acessório de corte.

Instalar a proteção de plantas

1. Instale a proteção de plantas nos orifícios do compartimento do motor. (Fig. 37)
2. Certifique-se de que a proteção para plantas se pode deslocar livremente para a frente e para trás. (Fig. 38)

Montar o punho fechado

1. Instale o parafuso no punho fechado. (Fig. 39)
2. Monte o punho fechado no acessório do eixo.
3. Aperte os parafusos.
4. Ajuste o punho fechado para uma posição correta. Consulte *Ajustar o punho fechado e o eixo telescópico na página 337*.

Instalar o carregador de bateria 40-C80 na parede



CUIDADO: Não utilize uma chave de parafusos elétrica para instalar o carregador de bateria na parede. Uma chave de parafusos elétrica pode causar danos no carregador de bateria.

1. Instale o carregador de bateria na parede com os 2 parafusos (A). Utilize buchas (B), se necessário. (Fig. 40)
2. Instale os 2 tampões dos orifícios dos parafusos (C).
3. Ligue o cabo de alimentação (D) ao carregador de bateria e a uma tomada de parede.

Funcionamento

Introdução



ATENÇÃO: Certifique-se de que lê e compreende o capítulo sobre segurança antes de usar o produto.

Antes de utilizar o produto

- Inspeccione a área de trabalho para se certificar de que conhece o tipo de terreno. Examine a inclinação do terreno e se existem obstáculos como pedras, ramos e valas.
- Proceda a uma inspeção geral do produto.
- Efetue as inspeções de segurança, manutenção e assistência fornecidas neste manual.
- Examine o motor quanto a sujidades ou fissuras. Utilize uma escova para limpar o motor de relva ou folhas. Use luvas quando necessário.
- Examine a cabeça do aparador e a proteção do acessório de corte quanto a danos ou fissuras. Substitua a cabeça do aparador e a proteção do equipamento de corte, caso tenham sido atingidos ou se tiverem fissuras.
- Certifique-se de que todas as porcas e os parafusos estão bem apertados.
- Certifique-se de que todas as coberturas, proteções, punhos e equipamentos de corte estão devidamente

instalados e não danificados antes de colocar o produto a funcionar.

Bateria



ATENÇÃO: Certifique-se de que lê e compreende o capítulo sobre segurança antes de utilizar a bateria. Certifique-se de que lê e compreende o manual do utilizador da bateria e do carregador de bateria.

Mantenha a bateria e o carregador de bateria a temperaturas ambiente corretas.

	Temperatura ambiente
Funcionamento do produto	-5 °C–40 °C/23 °F–104 °F
Carregamento da bateria	5 °C–40 °C/41 °F–104 °F

Estado da bateria

O visor apresenta o estado de carga e a existência de problemas com a bateria.

(Fig. 41)

Indicador LED	Estado da bateria (estado de carga)	
	BLi10, BLi20	40-B70, 40-B140
4 luzes LED ligadas	N/A	A bateria tem uma carga entre 76% e 100%.
3 luzes LED ligadas	A bateria tem uma carga entre 76% e 100%.	A bateria tem uma carga entre 51% e 75%.
2 luzes LED ligadas	A bateria tem uma carga entre 51% e 75%.	A bateria tem uma carga entre 26% e 50%.
1 luz LED ligada	A bateria tem uma carga entre 26% e 50%.	A bateria tem uma carga entre 6% e 25%.
1 luz LED está intermitente	A bateria tem uma carga entre 0% e 25%.	A bateria tem uma carga entre 0% e 5%.

Carregar a bateria

Carregue a bateria se se tratar da primeira vez que a utiliza. Uma bateria nova tem apenas 30% de carga.



CUIDADO: Ligue o carregador de bateria a uma tomada de alimentação com a tensão e a frequência especificadas na etiqueta de tipo.

A bateria não carrega se a respetiva temperatura for superior a 50 °C (122 °F).

1. Ligue o cabo de alimentação ao carregador de bateria.
2. Ligue o carregador de bateria a uma tomada de alimentação com ligação à terra. O LED de carregamento pisca uma vez. (Fig. 42)

3. Ligue a bateria ao carregador de bateria. O LED de carregamento acende-se. Carregue a bateria no máximo durante 24 horas. (Fig. 43)
4. Prima o botão indicador da bateria; se todos os indicadores LED se acenderem, a bateria está totalmente carregada.
5. Puxe a ficha de alimentação para desligar o carregador de bateria da tomada de alimentação. Não puxe o cabo de alimentação.
6. Remova a bateria do carregador de bateria.

Para encaixar a bateria no produto



ATENÇÃO: Utilize apenas a bateria Husqvarna original para o produto.

1. Carregue totalmente a bateria.
2. Empurre a bateria para o suporte da bateria do produto. A bateria bloqueia na posição pretendida quando se ouve um clique. (Fig. 44)



CUIDADO: Se a bateria não se mover com facilidade no suporte da bateria, significa que não está instalada corretamente. Caso contrário, pode causar danos no produto.

Arranque

1. Prima e mantenha premido o botão Start/Stop até o LED verde se acender. (Fig. 45)
2. Prima o bloqueio do interruptor de alimentação e o interruptor de alimentação. O equipamento de corte começa a rodar.

Ajustar o punho fechado e o eixo telescópico

1. Desaperte o punho de bloqueio e ajuste o punho fechado para uma posição correta. (Fig. 46)
2. Feche o punho de bloqueio.
3. Solte a alavanca do eixo. (Fig. 47)
4. Defina o comprimento necessário no eixo. Certifique-se de que consegue ver o triângulo no eixo. (Fig. 48)
5. Feche a alavanca e aperte o parafuso.

Nota: Não fixe o punho fechado nos dísticos de aviso no eixo.

Utilizar a função SavE

Este produto tem uma função de poupança de energia, SavE.

Nota: A função SavE não diminui a potência de corte do produto.

1. Prima o botão SavE no teclado.
2. Certifique-se de que o LED verde se acende.
3. Prima o botão SavE novamente para desativar a função. O LED verde apaga-se. (Fig. 49)

Função de desativação automática

O produto tem uma função de desativação que para o produto, se este não for utilizado. O LED verde da indicação de arranque/paragem apaga-se e o produto para após 180 segundos.

Utilizar o produto

Cortar a relva

1. Certifique-se de que a linha do aparador ou as lâminas de plástico estão paralelas ao solo quando corta a relva. (Fig. 50)
2. Não empurre a cabeça do aparador ou Tri-Cut para o solo. Caso contrário, pode causar danos no produto.

Nota: Uma temperatura ambiente baixa, próxima de 0 °C, pode provocar a quebra da lâmina ou da linha do aparador.

3. Desloque o produto de um lado para o outro quando cortar relva. (Fig. 51)

Nota: Não utilize o produto com um acessório de corte que esteja danificado. Um acessório de corte danificado pode provocar um desequilíbrio que pode danificar o produto.

Varrer a relva

O fluxo de ar das lâminas de plástico ou da linha do aparador a girar pode ser utilizado para remover a relva cortada de uma área.

1. Mantenha a cabeça do aparador, as lâminas de plástico e a linha do aparador paralelamente ao solo e acima do mesmo.
2. Aplique a velocidade máxima.
3. Mova o acessório de corte de um lado para o outro e varra a relva.



ATENÇÃO: Limpe a cobertura do acessório de corte sempre que instalar novas lâminas de plástico ou linha do aparador para evitar desequilíbrios e vibrações nos punhos. Efetue também uma verificação das outras peças da acessório de corte e limpe-as, se necessário.

Aparar perto de objetos

1. Puxe a proteção de plantas para baixo. (Fig. 52)
2. Utilize a proteção de plantas para evitar danos noutros objetos. (Fig. 53)

Desligar o produto

1. Solte o interruptor de alimentação e o bloqueio do interruptor de alimentação.
2. Prima o botão de arranque/paragem até o LED verde se apagar.
3. Prima os botões de desengate da bateria e retire a bateria do produto. (Fig. 54)

Substituir as lâminas de plástico ou a linha do aparador

Consulte as últimas páginas deste manual do utilizador.

Manutenção

Introdução



ATENÇÃO: Certifique-se de que leu e compreendeu o capítulo sobre segurança antes de realizar tarefas de manutenção no produto.

Esquema de manutenção



ATENÇÃO: Remova a bateria antes de efetuar a manutenção.

A seguinte lista de tarefas de manutenção tem de ser realizada no produto. Para mais informações, consulte *Vista geral do produto na página 327*.

Manutenção	Diariamente	Semanalmente	Mensalmente
Limpe as peças externas do produto com um pano seco. Não utilize água.	X		
Certifique-se de que o botão Start/Stop funciona corretamente e não está danificado.	X		
Certifique-se de que o interruptor de alimentação e o bloqueio do interruptor de alimentação funcionam corretamente e com segurança.	X		
Certifique-se de que os punhos estão secos e limpos.	X		
Certifique-se de que a proteção do acessório de corte não está danificada. Substitua a proteção do acessório de corte, caso esteja danificada.	X		
Certifique-se de que o punho ou a barra de direção não apresenta danos e de que está corretamente fixado.	X		
Verifique o mecanismo de bloqueio do eixo telescópico. Consulte <i>Verificar o mecanismo de bloqueio do eixo telescópico na página 339</i> .	X		
Verifique o carregador de bateria para confirmar que funciona corretamente e que não está danificado.	X		
Certifique-se de que a bateria não está danificada.	X		
Certifique-se de que a bateria está carregada.	X		
Certifique-se de que o carregador de bateria não está danificado.	X		
Certifique-se de que os parafusos e porcas externos estão apertados.		X	
Certifique-se de que os botões de desengate da bateria funcionam corretamente e fixam a bateria no produto.		X	
Verifique se existe massa lubrificante no carretel da cabeça do aparador.		X	
Limpe e verifique as ligações entre a bateria e o produto.			X
Limpe e verifique a ligação entre a bateria e o carregador de bateria.			X

Examinar a bateria e o carregador da bateria

1. Examine a bateria quanto à existência de danos, por exemplo, fissuras.
2. Examine o carregador da bateria quanto à existência de danos, por exemplo, fissuras.
3. Certifique-se de que o cabo de ligação do carregador da bateria não está danificado nem apresenta fissuras.

Limpar o produto, a bateria e o carregador da bateria

1. Limpe o produto com um pano seco após a utilização.
2. Limpe a bateria e o carregador da bateria com um pano seco. Mantenha as calhas de guia da bateria limpas.

3. Certifique-se de que os terminais da bateria e do carregador da bateria se encontram limpos antes de colocar a bateria no carregador da bateria ou no produto.

Verificar e substituir o Tri-Cut

1. Verifique se o Tri-Cut apresenta danos e fissuras.
2. Remova o Tri-Cut. Consulte "Remover o Tri-Cut" na última página do manual do utilizador.
3. Monte o Tri-Cut. Consulte *Alterar o acessório de corte na página 335*.

Verificar o mecanismo de bloqueio do eixo telescópico

1. Verifique o mecanismo de bloqueio do eixo telescópico.
2. Ajuste o binário de aperto. (Fig. 55)

Resolução de problemas

Teclado

Ecrã de LED	Avarias possíveis	Soluções possíveis
LED de erro intermitente.	Sobrecarga	O acessório de corte não consegue mover-se livremente. Solte o acessório de corte.
	Desvio de temperatura	Deixe o produto arrefecer.
O produto não liga.	Prima o interruptor de alimentação e o botão de arranque ao mesmo tempo.	Solte o interruptor de alimentação e pare o produto.
LED de erro aceso com uma luz vermelha.	É necessário proceder à manutenção do produto	Contacte o seu revendedor de assistência.

Bateria

Ecrã LED	Avarias possíveis	Ação possível
LED verde intermitente.	Tensão da bateria baixa.	Carregue a bateria.
LED de erro intermitente.	Desvio de temperatura.	Utilize a bateria a temperaturas entre -10°C (14°F) e 40°C (104°F).
	Tensão excessiva.	Certifique-se de que a tensão da rede elétrica coincide com a tensão indicada na etiqueta de tipo do produto. Retire a bateria do carregador da bateria.
LED de erro aceso.	Diferença entre células demasiado elevada (1 V).	Contacte o seu revendedor com assistência técnica.

Carregador de bateria

Problema	Falhas possíveis	Solução possível
O LED de carregamento está vermelho.	Erro do carregador de bateria permanente.	Contacte o seu distribuidor.
O LED de carregamento fica verde intermitente.	Desvio de temperatura, a bateria encontra-se demasiado fria ou demasiado quente para utilizar ou carregar.	Deixe a bateria arrefecer ou aquecer. Quando a bateria estiver na temperatura correta, esta pode ser utilizada ou carregada novamente. Utilize o carregador de bateria a temperaturas ambiente entre 5 °C (41 °F) e 40 °C (104 °F).
O LED de carregamento fica vermelho intermitente.	Bateria defeituosa.	Contacte o seu distribuidor.

Transporte, armazenamento e eliminação

Transporte e armazenamento

- As baterias de íões de lítio fornecidas cumprem os requisitos da legislação sobre mercadorias perigosas.
- Cumpra o requisito especial sobre a embalagem e as etiquetas de transporte comercial, incluindo por terceiros e agentes transitários.
- Contacte uma pessoa com formação específica em material perigoso antes de enviar o produto. Cumpra todos os regulamentos nacionais aplicáveis.
- Utilize fita em contactos abertos quando colocar a bateria numa embalagem. Coloque a bateria na embalagem de forma fixa para impedir movimentos.
- Remova sempre a bateria para armazenamento ou transporte.
- Coloque a bateria e o carregador de bateria num espaço seco e sem humidade ou gelo.
- Não armazene a bateria numa área onde possa existir eletricidade estática. Não armazene a bateria numa caixa metálica.
- Armazene a bateria num local onde a temperatura varie entre 5 °C e 25 °C e afastado da exposição à luz solar.
- Armazene o carregador de bateria num local onde a temperatura varie entre 5 °C e 45 °C e afastado da exposição à luz solar.
- Utilize o carregador de bateria apenas quando a temperatura ambiente se encontrar entre os 5 °C e os 40 °C.

- Carregue a bateria entre 30% a 50% antes de a armazenar durante longos períodos de tempo.
- Armazene o carregador de bateria num espaço fechado e seco.
- Mantenha a bateria afastada do carregador de bateria durante o armazenamento. Não permita que crianças e outras pessoas não autorizadas entrem em contacto com o equipamento. Mantenha o equipamento num espaço que possa trancar.
- Antes de armazenar o produto durante longos períodos de tempo, limpe-o e efetue uma manutenção completa do mesmo.
- Utilize a proteção para transporte no produto para evitar ferimentos ou danos no produto durante o transporte e o armazenamento.
- Fixe o produto em segurança durante o transporte.

Eliminação da bateria, do carregador da bateria e do produto

Os símbolos no produto ou na respetiva embalagem indicam que o produto não é resíduo doméstico. Recicle o equipamento numa estação de reciclagem para equipamentos elétricos e eletrónicos. Isto ajuda a evitar danos no ambiente e em pessoas.

Contacte as autoridades locais, o serviço de recolha de resíduos domésticos ou o seu concessionário para obter mais informações sobre como reciclar o seu produto.

Especificações técnicas

Especificações técnicas

		215iL-TC
Motor		
Tipo de motor	BLDC	
Velocidade do eixo de saída, rpm	6800	
Largura de corte, mm	255	
Peso		
Peso sem bateria, kg	2,9	
Emissões de ruído ⁵⁸		
Nível de potência sonora, medido dB (A)	90,8	
Nível de potência sonora, garantido L _{WA} dB (A)	93	
Níveis sonoros ⁵⁹		
Nível de pressão sonora equivalente junto ao ouvido do utilizador, medido de acordo com a norma IEC 62841-4-4, dB(A)	81,3	
Níveis de vibração ⁶⁰		
Níveis de vibração nos punhos, medidos de acordo com a norma IEC 62841-4-4, m/s ²	3,0 / 2,7	
Equipado com cabeça do aparador (original), dianteira / traseira.		

Baterias aprovadas para o produto

Bateria	BLi10		BLi20		40-B70	40-B140
Tipo	lões de lítio		lões de lítio		lões de lítio	lões de lítio
Capacidade da bateria, Ah	Consulte o dístico de classificação da bateria		Consulte o dístico de classificação da bateria		Consulte o dístico de classificação da bateria	Consulte o dístico de classificação da bateria
Tensão nominal, V	36	36,5	36	36,5	36	36

⁵⁸ Emissões de ruído para as imediações, medidas sob forma de potência sonora (L_{WA}) em conformidade com a diretiva da CE 2000/14/CE. A diferença entre a potência sonora garantida e medida é que a potência sonora garantida inclui também a dispersão no resultado da medição e as variações entre diferentes produtos do mesmo modelo, consulte a diretiva 2000/14/CE.

⁵⁹ Os dados registados para o nível de pressão sonora equivalente para o produto têm uma dispersão estatística típica (desvio padrão) de 3 dB(A).

⁶⁰ Os dados comunicados relativamente ao nível de vibração têm uma dispersão estatística típica (desvio padrão) de 1,5 m/s².

Bateria	BLi10		BLi20		40-B70	40-B140
Peso, lb / kg	0,7	0,7	1,2	1,2	0,8	1,25

Carregadores de bateria aprovados para o produto

Carregador da bateria	QC80	40-C80
Tensão de corrente elétrica, V	100-240	100-240
Frequência, Hz	50-60	50-60
Potência, W	100	72
Tensão de saída, V CC/ Amps, A	36/2	43/1,6

Acessórios

Acessórios aprovados

Acessórios aprovados	Tipo	Proteção para acessório de corte, artigo n.º
Cabeça do aparador	R25B (cabo com Ø 2 mm)	529 96 69-01
Cabeça do aparador	Tri-Cut B (255 mm)	529 96 69-01

Declaração de conformidade

Declaração UE de conformidade

A **Husqvarna AB**, SE-561 82 Huskvarna, Suécia,
tel.: +46-36-146500, declara, sob sua inteira
responsabilidade, que o produto:

Descrição	Aparador de relva a bateria
Marca	Husqvarna
Tipo/Modelo	215iL-TC
Identificação	Os números de série referentes a 2025 e posteriores

estão em plena conformidade com as seguintes
diretivas e regulamentos da UE:

Diretiva/regulamento	Descrição
2006/42/CE	"relativa a máquinas"
2014/30/UE	"relativa à compatibilidade eletromagnética"
2000/14/CE	"relativa a emissões de ruído para o ambiente"
2011/65/UE	"relativa à restrição do uso de determinadas substâncias perigosas em equipamento elétrico e eletrônico"

e que as seguintes normas e/ou especificações
técnicas são aplicadas: EN 62841-1:2015+A11:2022,
IEC 62841-4-4:2020, EN ISO 12100:2010, EN
IEC 63000:2018, EN IEC 55014-1:2021; EN IEC
55014-2:2021.

Entidade competente: 0036 TÜV SÜD Industrie Service
GmbH, Westendstraße199,80686 München,Germany
atribuiu a certificação de conformidade com a Diretiva
2000/14/CE do Conselho, procedimento de avaliação de
conformidade: Anexo VI.

Para mais informações sobre a emissão de ruído,
consulte *Especificações técnicas na página 341*.

Huskvarna, 2025-01-10



Claes Losdal, gestor de I&D, Husqvarna AB

Responsável pela documentação técnica



CUPRINS

Introducere.....	344	Transportul, depozitarea și eliminarea.....	357
Siguranță.....	345	Date tehnice.....	357
Asamblarea.....	352	Accesorii.....	359
Funcționarea.....	352	Declarație de conformitate.....	360
Întreținerea.....	354	Anexă	478
Depanarea.....	356		

Introducere

Descrierea produsului

Husqvarna 215iL-TC este un trimmer pentru iarbă cu baterie, cu un motor electric.

Se depun eforturi constant pentru a vă spori siguranța și eficiența în timpul funcționării. Adresați-vă reprezentantului de service pentru informații suplimentare.

Destinația produsului

Produsul este utilizat cu lame din plastic nemetalice. Nu utilizați produsul pentru alte activități în afară de tăierea buruienilor, a ierbii sau a vegetației moi similare.

Prezentare generală a produsului

(Fig. 1)

1. Cap de trimmer Tri-Cut
2. Apărătoarea accesoriului de tăiere
3. Arbore
4. Reglarea arborelui (telescop)
5. Mâner semicircular
6. Tastatură
7. Indicator de avertisment tastatură
8. Buton de pornire/oprire
9. Butonul Save
10. Întrerupător
11. Mecanism de blocare întrerupător
12. Indicator de pornire și avertizare
13. Conector
14. Încărcător de baterie 40-C80
15. Apărătoare de plante
16. Indicator de avertisment baterie
17. Stare baterie
18. Buton indicator baterie
19. Butoane de eliberare a bateriei
20. Baterie
21. Unealtă combinată
22. Disc de antrenare
23. Manual de utilizare

Nota: Reglementările la nivel național pot stabili limite ale funcționării produsului.

Utilizați produsul numai cu accesorii furnizate de producător. Consultați *Accesorii la pagina 359*.

Simbolurile de pe produs

- (Fig. 2) **AVERTISMENT:** Acest produs poate fi periculos și poate cauza vătămări corporale grave sau decesul operatorului sau al altor persoane. Aveți grijă să utilizați corect produsul.
- (Fig. 3) Citiți cu atenție manualul operatorului și asigurați-vă că înțelegeți instrucțiunile înainte de utilizare.
- (Fig. 4) Purtați întotdeauna echipament de protecție pentru ochi și urechi.
- (Fig. 5) Nu expuneți la ploaie.
- (Fig. 6) Etichetă cu emisiile de zgomot în mediu înconjurător în conformitate cu directivele și cu reglementările din UE (incluzând și legislația din New South Wales) și din Regatul Unit. Datele privind emisiile de zgomot pot fi găsite pe eticheta utilajului și la capitolul Date tehnice. Se aplică numai atunci când produsul este echipat cu un fir pentru trimmer.
- (Fig. 7) Feriți-vă de obiectele aruncate.

(Fig. 8) Deconectați bateria înainte de a efectua lucrări de întreținere.

(Fig. 9) Nici produsul și nici ambalajul său nu sunt deșeurii menajere. Reciclați la un centru de reciclare pentru echipamente electrice și electronice.

(Fig. 16)

Distanța dintre mașină și persoanele aflate în preajmă trebuie să fie de cel puțin 15 m (50 ft).

(Fig. 17)

Nu folosiți lame din metal.

aaaassxxxxx

Plăcuța de identificare sau imprimarea laser indică numărul de serie. **aaaa** este anul fabricației și **ss** este săptămâna fabricației.

(Fig. 10) Produsul este în conformitate cu directivele EU aplicabile.

(Fig. 11) Produsul este în conformitate cu reglementările aplicabile din Regatul Unit.

(Fig. 12) Curent continuu.

Simbolurile de pe baterie și/sau de pe încărcătorul acesteia

(Fig. 18)

Reciclați acest produs la un centru de reciclare pentru echipamente electrice și electronice. (Este valabilă numai pentru Europa)

(Fig. 13)

Transformator autoprotejat.

(Fig. 14)

Utilizați și păstrați încărcătorul de baterie numai în interior.

(Fig. 15) Izolație dublă.

Deteriorarea produsului

Nu suntem responsabili pentru deteriorarea produsului dacă:

- produsul este reparat necorespunzător.
- produsul este reparat cu piese care nu provin de la producător sau care nu sunt aprobate de acesta.
- produsul are un accesoriu care nu provine de la producător sau care nu este aprobat de acesta.
- produsul nu este reparat la un centru de service omologat sau de o autoritate omologată.

Siguranță

Definiții privind siguranța

Avertismentele, atenționările și notele sunt utilizate pentru a desemna părți foarte importante din manual.



AVERTISMENT: Se utilizează dacă există risc de vătămare sau de deces pentru operator sau pentru trecători, în cazul în care instrucțiunile din manual nu sunt respectate.



ATENȚIE: Se utilizează dacă există un risc de deteriorare a produsului, a altor materiale sau a zonelor învecinate, dacă instrucțiunile din manual nu sunt respectate.

Nota: Se utilizează pentru a furniza mai multe informații care sunt necesare într-o situație dată.

Instrucțiuni generale de siguranță pentru utilaje



AVERTISMENT: Citiți toate instrucțiunile de siguranță și instrucțiunile de utilizare, ilustrațiile și specificațiile furnizate cu acest utilaj. *Nerespectarea instrucțiunilor enumerate mai jos poate avea ca rezultat electrocutare, incendii și/sau vătămări corporale grave.*

Păstrați toate avertismentele și instrucțiunile pentru consultare ulterioară.

Nota: *Noțiunea de „utilaj” folosită în instrucțiunile de siguranță se referă atât la utilajul alimentat de la rețea (cu cablu), cât și la utilajul cu acumulator (fără cablu).*

Siguranța zonei de lucru

- **Păstrați zona de lucru curată și bine iluminată.** Zonele dezordonate sau întunecoase provoacă accidente.

- **Nu folosiți utilajul în medii explozive în care sunt prezente lichide, gaze sau prafuri inflamabile.** Sculele electrice produc scântei care pot aprinde prafurile sau aburii.
- **În timpul folosirii utilajului țineți la distanță copii și orice alte persoane.** Distragerea atenției poate cauza pierderea controlului.

Siguranța privind echipamentele electrice

- **Mufa de conectare a utilajului trebuie să se potrivească la priză. Este interzisă modificarea de orice fel a fișei. Nu utilizați adaptoare de ștecăr cu utilajele cu împământare (legate la masă).** Fișele nemodificate și prizele potrivite reduc pericolul electrocutării.
- **Evitați contactul cu corpul a suprafețelor de împământare sau legate la masă, cum ar fi țevi, radiatoare, plite și răcitoare.** Există un pericol sporit de electrocutare dacă împământarea sau legarea la masă se face prin corpul dvs.
- **Nu expuneți utilajele la ploaie și la condiții de umiditate.** Pătrunderea apei în utilaj mărește riscul de electrocutare.
- **Nu folosiți cablul în mod abuziv. Nu utilizați niciodată cablul la transportarea, tragerea sau deconectarea utilajului. Feriți cablul de căldură, ulei, mυχii ascuțiți sau părțile în mișcare ale aparatului.** Cablurile deteriorate sau încurcate cresc riscul electrocutării.
- **Când lucrați cu utilajul afară, folosiți un cablu prelungitor potrivit pentru utilizarea la exterior.** Folosirea unui cablu adecvat pentru utilizarea la exterior reduce riscul de electrocutare.
- **Dacă întrebuițarea unui utilaj într-un loc cu umiditate mare nu poate fi evitată, utilizați o sursă cu dispozitiv de protecție împotriva curentului rezidual (RCD).** Folosirea unui RCD reduce pericolul de electrocutare.

Siguranța personală

- **Fiți mereu atent, uitați-vă la ce faceți și dați dovadă de simț practic când utilizați utilajul. Nu folosiți utilajul dacă sunteți obosit sau sub influența drogurilor, alcoolului sau medicamentelor.** Un moment de neatenție în timpul folosirii utilajului poate duce la leziuni grave.
- **Utilizați echipament individual de protecție. Purtați întotdeauna ochelari de protecție.** Purtarea echipamentelor de protecție individuală, cum ar fi masca împotriva prafului, încălțămîntea de protecție antiderapantă, casca de protecție sau căștile de protecție auditivă, corespunzător tipului și utilizării sculei electrice, reduce riscul răniilor.
- **Evitați pomirea accidentală. Înainte de a conecta utilajul la sursa de alimentare și/sau la baterie, de a-l ridica sau de a-l transporta, verificați comutatorul pentru a vă asigura că este în poziția oprit.** Transportul utilajelor cu degetul pe comutator sau conectarea la priză a utilajelor pornite poate duce la accidente.

- **Îndepărtați toate cheile de reglare sau cheile fixe înainte de a porni utilajul.** O cheie fixă care a rămas prinsă la o piesă rotativă a utilajului poate duce la răniri.
- **Nu vă întindeți prea mult. Să aveți întotdeauna o poziție stabilă și păstrați-vă întotdeauna echilibrul.** Acest lucru permite un control mai bun al utilajului în situații neașteptate.
- **Îmbrăcați-vă corespunzător. Nu purtați haine largi sau bijuterii. Țineți părul și îmbrăcămîntea la distanță de piesele în mișcare.** Hainele lejere, bijuteriile sau părul lung pot fi prinse de piesele aflate în mișcare.
- **Dacă este posibilă montarea dispozitivelor de aspirare și colectare a prafului, asigurați-vă că acestea sunt conectate și utilizate corespunzător.** Folosirea dispozitivelor de aspirare a prafului poate reduce pericolul legate de praf.
- **Nu vă bazați pe o siguranță greșită și nu ignorați regulile de siguranță pentru scule electrice, chiar dacă sunteți familiarizat prin utilizarea multiplă a sculei electrice.** Comportamentul neglijent poate cauza accidente grave în doar câteva fracțiuni de secundă.

Utilizarea și întreținerea utilajului

- **Nu suprasolicitați utilajul. Folosiți utilajul potrivit pentru munca pe care o efectuați.** Utilajul potrivit va efectua lucrarea mai rapid și în condiții de siguranță mai bune la viteza de lucru pentru care a fost proiectat.
- **Nu utilizați utilajul în cazul în care nu poate fi pornit sau oprit de la comutator.** Orice utilaj imposibil de controlat cu ajutorul comutatorului este periculos și trebuie reparat.
- **Deconectați ștecărul de la sursa de alimentare și/sau scoateți acumulatorul, dacă este detașabil, de la utilaj înainte de a face reglaje, de a schimba accesoriile sau de a depozita utilajul.** Aceste măsuri de prevenție împiedică pornirea accidentală a utilajului.
- **Nu lăsați utilajele nefolosite la îndemâna copiilor și nu permiteți persoanelor care nu sunt familiarizate cu ele sau cu instrucțiunile acestora să le folosească.** În mâinile unei persoane fără experiență aceste utilaje pot fi periculoase.
- **Întrețineți utilajele și accesoriile. Verificați centrarea sau legarea incorectă a pieselor în mișcare, ruperea pieselor și orice alte stări care pot afecta funcționarea utilajelor. Dacă este avariat, duceți utilajul la reparat înainte de a-l folosi.** Multe accidente sunt provocate de utilajele prost întreținute.
- **Păstrați uneltele de tăiere ascuțite și curate.** Utilajele de tăiere cu tășuri ascuțite întreținute corespunzător au mai puține șanse să se blocheze și, în plus, sunt mai ușor de controlat.
- **Folosiți utilajul, accesoriile și piesele etc. în conformitate cu aceste instrucțiuni, luând în considerare condițiile de lucru și activitatea care urmează să fie efectuată.** Folosirea utilajului pentru

operații diferite de cele pentru care este destinat poate duce la apariția unor situații periculoase.

- **Mențineți mânerele și suprafețele de prindere uscate, curate, fără ulei și unsoare.** Mânerile și suprafețele de prindere alunecoase nu permit operarea și controlul sigure ale utilajului în situații neprevăzute.

Utilizarea și întreținerea echipamentelor pe acumulator

- **Reîncărcați numai cu încărcătorul specificat de producător.** Un încărcător adecvat pentru un tip de baterie poate constitui pericol de incendiu atunci când este utilizat cu un alt tip de baterie.
- **Folosiți utilajele numai cu acumulatorii special indicați.** Utilizarea unui alt tip de acumulatori poate constitui pericol de vătămări corporale și de incendiu.
- **Când acumulatorul nu este utilizat, păstrați-l departe de alte obiecte metalice, precum agrafe de birou, monede, chei, cuie, șuruburi sau alte obiecte mici de metal, care pot crea o conexiune între borne.** Scurtcircuitarea bornelor bateriei poate cauza arsuri sau incendii.
- **În condiții de utilizare neadecvată, din baterie pot ieși stropi de lichid; evitați contactul. Totuși, dacă intrați accidental în contact cu lichidul respectiv, spălați cu apă. Dacă lichidul intră în contact cu ochii, consultați un medic.** Lichidul care se scurge din baterie poate cauza iritații sau arsuri.
- **Nu utilizați acumulatorul sau echipamentul dacă sunt deteriorate sau modificate.** Bateriile deteriorate sau modificate pot prezenta un comportament imprevizibil, care poate duce la incendii, explozii sau pericol de vătămări corporale.
- **Nu expuneți acumulatorul sau echipamentul la flăcări sau la temperaturi excesive.** Expunerea la flăcări sau la temperaturi de peste 130°C/265°F poate cauza explozii.
- **Respectați toate instrucțiunile de încărcare și nu încărcați acumulatorul sau echipamentul în afara intervalului de temperaturi specificat în instrucțiuni.** Încărcarea incorectă sau la temperaturi în afara intervalului specificat poate duce la deteriorarea bateriei și crește pericolul de incendiu.

Service

- **Cereți ca utilajul să fie reparat numai de un tehnician de reparații calificat, care să folosească numai piese de schimb identice.** În acest fel se asigură menținerea securității utilajului.
- **Nu reparați niciodată acumulatorii deteriorați.** Repararea acumulatorilor trebuie efectuată numai de către producător sau de către furnizorii de servicii autorizați.

Avvertimente de siguranță privind trimmerul pentru gazon

- **Nu utilizați mașina în condiții de vreme nefavorabilă, mai ales când există risc de descărcări electrice.** Aceasta reduce riscul de a fi lovit de trăsnet.
- **Verificați temeinic zona în care urmează a fi utilizată mașina, pentru a vedea dacă nu există animale sălbatice.** Animalele sălbatice ar putea fi rănite de mașină în timp ce este în funcțiune.
- **Verificați temeinic zona unde urmează a fi utilizată mașina și înălțurați toate pietrele, bețele, cablurile, oasele și alte obiecte străine.** Obiectele proiectate pot provoca vătămări corporale.
- **Înainte de a folosi mașina, întotdeauna verificați vizual dacă cuțitul sau lama și ansamblul de tăiere nu sunt deteriorate.** Componentele deteriorate sporesc riscul de vătămare corporală.
- **Respectați instrucțiunile pentru înlocuirea accesoriilor.** Șuruburile sau piulițele insuficient strânse care fixează lama pot deteriora lama sau o pot face să se desprindă.
- **Purtați protecție pentru ochi, urechi, cap și mâini.** Echipamentul de protecție adecvat reduce vătămările corporale provocate de resturile expulzate sau de contactul accidental cu firele sau cuțitele.
- **În timp ce folosiți mașina, purtați mereu încălțăminte antiderapantă de protecție. Nu operați aparatul în picioarele goale sau purtând sandale deschise.** Astfel reduceți riscul de rănire a picioarelor în eventualitatea contactului cu firele sau cuțitele în mișcare.
- **Când folosiți mașina, purtați întotdeauna pantaloni lungi.** Pielea expusă crește probabilitatea rănirii de către obiectele proiectate.
- **Țineți trecătorii la distanță în timp ce folosiți mașina.** Resturile proiectate pot duce la vătămări corporale grave.
- **Folosiți întotdeauna ambele mâini când folosiți utilajul.** Țineți utilajul cu ambele mâini, pentru a evita pierderea controlului.
- **Țineți utilajul de suprafețele de prindere izolate, deoarece cuțitul poate atinge cabluri ascunse.** Firele sau cuțitele care intră în contact cu un cablu sub tensiune pot alimenta electric părțile metalice expuse ale utilajului și pot electrocuta utilizatorul.
- **Mențineți întotdeauna contactul cu solul și folosiți utilajul numai cu picioarele pe sol.** Suprafețele alunecoase sau instabile pot cauza pierderea echilibrului sau a controlului utilajului.
- **Nu folosiți mașina pe pante prea înclinate.** Astfel scade riscul de a pierde controlul, de a aluneca sau de a cădea, care pot duce la vătămări corporale.
- **Când lucrați pe pante, asigurați-vă întotdeauna că aveți o poziție stabilă. Lucrați mereu orizontal pe suprafața pantei, niciodată în sus și în jos și aveți foarte mare grijă când schimbați direcția.** Astfel scade riscul de a pierde controlul, de a aluneca sau de a cădea, care pot duce la vătămări corporale.

- **Mențineți toate părțile corpului departe de lamă, fir sau cuțit când utilajul se află în funcțiune. Înainte de pornirea utilajului, asigurați-vă că lama, firul sau cuțitul nu intră în contact cu niciun obiect.** Un moment de neatenție în timpul folosirii utilajului poate cauza rănirea proprie sau a altor persoane.
- **Nu folosiți mașina deasupra înălțimii talei.** În acest mod se previne contactul neintenționat cu cuțitul sau lama și se controlează mai bine mașina în situații neașteptate.
- **Când tăiați o creangă întinsă sau puieti de arbori, fiți atenți la recul.** Când tensiunea din fibrele de lemn este eliberată, creanga sau puietul aflate sub tensiune elastică pot lovi operatorul și/sau pot face ca utilajul să se miște necontrolat.
- **Fiți extrem de atenți când tăiați tufișuri și puieti.** Materialul subțire se poate prinde și poate fi proiectat către dvs. sau vă poate dezechilibra.
- **Mențineți controlul utilajului și nu atingeți cuțitele, firele sau lamele și alte piese periculoase aflate în mișcare, cât timp sunt în mișcare.** Astfel reduceți riscul de vătămări corporale produse de componentele în mișcare.
- **Transportați mașina oprită și depărtată de corpul dvs.** Manevrarea adecvată a mașinii va reduce probabilitatea contactului accidental cu un cuțit, o lamă sau un fir aflate în mișcare.
- **Folosiți numai cuțite, fire, capete de tuns și lame specificate de producător.** Componentele de schimb neadecvate pot crește riscul de deteriorare și rănire.
- **Atunci când curățați materialul blocat sau efectuați service-ul utilajului, asigurați-vă că întrerupătorul este oprit și acumulatorul este scos.** Acționarea accidentală a utilajului în timpul îndepărtării materialului blocat sau lucrărilor de service poate cauza vătămări corporale grave.

- Verificați să nu fie deteriorate sau crăpate capul de trimmer și apărătoarea accesoriului de tăiere. Înlocuiți capul de trimmer sau apărătoarea accesoriului de tăiere dacă acestea au fost expuse la impact sau dacă sunt crăpate. Folosiți întotdeauna apărătoarea recomandată pentru accesoriul de tăiere pe care îl folosiți. Consultați capitolul Date tehnice.
- Operatorul produsului trebuie să se asigure că nicio persoană și niciun animal nu se apropie la mai mult de 15 metri în timpul lucrărilor. Când mai mulți operatori lucrează în aceeași locație, distanța de siguranță trebuie să fie de cel puțin 15 metri.
- Efectuați o inspecție generală a produsului înainte de utilizare. Consultați programul de întreținere.
- Este posibil ca utilizarea să fie reglementată de norme naționale sau locale. Respectați reglementările aplicabile.

Acționați întotdeauna cu discernământ.

Nu este posibil să prezentăm toate situațiile imaginabile cu care vă puteți confrunta. Lucrați întotdeauna cu atenție și folosiți-vă gândirea. Evitați toate situațiile pe care le considerați că vă depășesc capacitatea de reacție. Dacă totuși vă simiți nesiguri în legătură cu procedurile de operare după citirea acestor instrucțiuni, trebuie să consultați un specialist înainte de a continua.



AVERTISMENT: Nu permiteți copiilor să folosească utilajul sau să stea în apropierea acestuia. Deoarece utilajul poate fi pornit cu ușurință, copiii îl pot porni dacă nu sunt supravegheați atent. Există riscul unor vătămări corporale grave. Așadar, deconectați bateria dacă utilajul nu se află sub supraveghere atentă.

Verificare înainte de pornire

- Scoateți întotdeauna bateria, pentru a preveni pornirea accidentală a produsului. Îndepărtați întotdeauna bateria înainte de a efectua orice operații de întreținere asupra produsului.
- Înainte de a utiliza produsul după un impact, verificați să nu prezinte semne de uzură sau de deteriorare și reparați-le dacă este necesar.
- Inspectați zona de lucru. Îndepărtați toate obiectele libere, precum pietre, sticlă spartă, cuie, fire de oțel, sfoară etc. care pot fi proiectate sau se pot înfășura în jurul frezei sau apărătoarei frezei.
- Verificați ca motorul să nu prezinte murdărie sau fisuri. Eliminați iarba și frunzele din motor, cu ajutorul unei perii. Atunci când este necesar, trebuie purtate mănuși.
- Verificați fixarea completă a capului de tuns pe trimmer.
- Verificați ca produsul să fie în perfectă stare de funcționare. Verificați ca toate șuruburile și piulițele să fie bine strânse.



AVERTISMENT: Înainte de a utiliza produsul, citiți instrucțiunile de avertizare de mai jos.

- Scoateți bateria, pentru a preveni pornirea accidentală a produsului.
- Acest produs este o unealtă periculoasă dacă nu sunteți atent sau dacă utilizați produsul incorect. Acest produs poate cauza vătămări corporale grave sau decesul operatorului sau al altor persoane.
- Nu utilizați produsul dacă specificația sa inițială se modifică. Nu modificați o componentă a produsului fără aprobarea producătorului. Utilizați numai piese omologate de producător. Vătămrile corporale sau decesul constituie un posibil rezultat al întreținerii incorecte.
- Verificați produsul înainte de utilizare. Consultați *Dispozitivele de siguranță de pe produs la pagina 349 și Prezentare generală a produsului la pagina 344.* Nu folosiți produse deteriorate sau care

nu funcționează corect. Efectuați verificările de siguranță, instrucțiunile de întreținere și de service descrise în acest manual.

- Copiii trebuie supravegheați, pentru a vă asigura că nu se joacă cu produsul. Nu permiteți copiilor sau altor persoane neinstruite cu privire la operarea produsului și/sau a bateriei să le utilizeze sau să le depaneze. Este posibil ca reglementările locale să limiteze vârsta operatorului.
- Păstrați produsul într-o zonă restricționată, pentru a împiedica accesul copiilor sau al persoanelor neautorizate.
- Nu depozitați produsul la îndemâna copiilor.
- Nu modificați sub nicio formă designul produsului fără permisiunea producătorului. Utilizați întotdeauna accesoriile originale. Modificările și/sau accesoriile neautorizate pot avea drept rezultat vătămări corporale grave sau decesul operatorului și al altor persoane.
- Valoarea totală a vibrației declarate a fost măsurată în concordanță cu o metodă standard de testare și poate fi utilizată pentru compararea unelei cu alta.
- Valoarea totală declarată a vibrației poate fi utilizată, de asemenea, într-o evaluare preliminară a gradului de expunere.
- Emisiunea de vibrații din timpul folosirii efective a unelei electrice poate fi diferită față de valoarea declarată, în funcție de modul în care este utilizată unealta. Operatorii trebuie să identifice măsurile de siguranță necesare pentru a se proteja, pe baza estimării expunerii în condițiile de folosire efectivă (luând în calcul toate părțile ciclului de funcționare, ca de exemplu momentele în care unealta este oprită și cele în care funcționează în gol, fără ca întreprătorul să fie acționat).

Nota: Utilizarea poate fi reglementată de legislația națională sau locală. Respectați reglementările aplicabile.

Echipament de protecție personală



AVERTISMENT: Înainte de a utiliza produsul, citiți instrucțiunile de avertizare de mai jos.

- Utilizați întotdeauna echipamente de protecție personală atunci când folosiți produsul. Echipamentele de protecție personală nu pot elimina complet riscul de rănire, însă pot reduce gravitatea rănilor în cazul unui accident. Distribuitorul vă poate ajuta să alegeți echipamentul corect.
- Utilizați un sistem omologat de protecție a auzului.

(Fig. 19)

- Utilizați ochelari de protecție omologați. Dacă utilizați un vizor de protecție, trebuie să purtați și ochelari de protecție. Ochelarii de protecție trebuie să fie conformi cu standardul ANSI Z87.1 în S.U.A. sau EN 166 în țările din UE.

(Fig. 20)

- Purtați mănuși atunci când este necesar, de exemplu atunci când conectați, inspecțiți sau curățați echipamentul de tăiere.

(Fig. 21)

- Utilizați cizme de protecție cu bombeuri din oțel și tălpi antiderapante.

(Fig. 22)

- Purtați haine din țesături rezistente. Purtați întotdeauna pantaloni lungi, din material gros, și îmbrăcăminte cu mâneci lungi. Nu purtați haine largi, care se pot prinde în smicele și ramuri. Nu folosiți bijuterii, pantaloni scurți sau sandale. Nu utilizați produsul cu picioarele goale. Strângeți-vă părul în siguranță, deasupra nivelului umărului.
- Păstrați echipamentul de prim ajutor în apropiere.

(Fig. 23)

Dispozitivele de siguranță de pe produs



AVERTISMENT: Înainte de a utiliza produsul, citiți instrucțiunile de avertizare de mai jos.

În această secțiune sunt descrise caracteristicile de siguranță al produsului, scopul său și modul în care trebuie efectuate verificările și întreținerea pentru a asigura funcționarea corectă. A se vedea instrucțiunile din capitolul *Introducere la pagina 344* pentru a afla unde sunt amplasate aceste piese pe produsul dvs.

Durata de viață a produsului se poate reduce, iar riscul de accidente se poate mări dacă întreținerea produsului nu este efectuată corect, iar reglarea și/sau reparațiile nu sunt executate în mod profesional. Dacă aveți nevoie de informații suplimentare, contactați cel mai apropiat agent de service.



AVERTISMENT: Nu utilizați niciodată un produs cu componente de siguranță deteriorate. Echipamentul de siguranță al produsului trebuie inspectat și întreținut conform indicațiilor din acest capitol. Dacă produsul nu trece oricare dintre următoarele verificări, contactați agentul de service pentru reparații.



ATENȚIE: Toate activitățile de service și de reparații de pe aparat necesită instruire specială. Acest lucru este adevărat în special în legătură cu echipamentul de siguranță al aparatului. În cazul în care aparatul dvs. nu trece de oricare dintre verificările descrise mai jos, trebuie să vă contactați agentul de service. Atunci când achiziționați oricare dintre produsele noastre, garantăm disponibilitatea reparațiilor și service-ului profesionist. Dacă

vanzatorul cu amanuntul care va vinde aparatul nu este dealer de service, solicitati-i adresa celui mai apropiat agent de service.

3. Inlocuiti aparatoarea accesoriului de taiere, daca este deteriorata.

Accesoriu de taiere

Selectati echipamentul de taiere corect si efectuați întreținerea acestuia pentru a:

- Obține performanța maximă de tăiere.
- Prolungi durata de viață a echipamentului de tăiere.



AVERTISMENT: Utilizați accesoriile de tăiere numai împreună cu aparatoarele pe care le recomandăm! Consultați *Accesorii aprobate la pagina 359*. Consultați instrucțiunile pentru accesoriul de tăiere pentru a afla modul corect de încărcare a firului pentru trimmer și cuțitele din plastic.



AVERTISMENT: Un accesoriu de tăiere defect poate crește pericolul de accidente.



AVERTISMENT: Opriti întotdeauna alimentarea înainte de a efectua lucrări la accesoriul de tăiere. Acesta continuă să se rotească după eliberarea întreprătorului. Asigurați-vă că accesoriul de tăiere s-a oprit complet și deconectați acumulatorul de la produs înainte de a începe să lucrați la acesta.

Accesoriu de tăiere



AVERTISMENT: Asigurați-vă întotdeauna că firul trimmerului este înfășurat strâns și uniform în jurul tamburului pentru a evita vibrațiile dăunătoare.

(Fig. 29)

- Utilizați numai accesoriile de tăiere recomandate.
- Lungimea firului trimmerului este importantă. Un fir mai lung al trimmerului necesită o putere mai mare a motorului decât un fir mai scurt al trimmerului cu același diametru.
- Asigurați-vă că cuțitul de pe aparatoarea accesoriului de tăiere este intact. Acesta taie firul pentru trimmer la lungimea corectă.
- Înmuiați firul trimmerului în apă timp de câteva zile înainte de utilizare, pentru a-i prelungi durata de viață.

Siguranța bateriei



AVERTISMENT: Înainte de a utiliza produsul, citiți instrucțiunile de avertizare de mai jos.

Verificarea tastaturii

1. Apăsati și țineți apăsat butonul de start/oprire (A). (Fig. 24)
 - a) Produsul este pornit când este aprins LED-ul (B).
 - b) Produsul este oprit când este stins LED-ul (B).
2. Consultați *Tastatură la pagina 356* dacă indicatorul de avertisment (C) este aprins sau se aprinde intermitent.

Verificarea opritorului întreprătorului

Opritorul întreprătorului previne pornirea accidentală. Când apăsați opritorul întreprătorului (A), acesta eliberează întreprătorul (B). Dacă eliberați mânerul, întreprătorul și opritorul acestuia se deplasează înapoi în pozițiile lor inițiale. (Fig. 25)

1. Asigurați-vă că întreprătorul este blocat atunci când opritorul întreprătorului este în poziția sa inițială. (Fig. 26)
2. Apăsati întreprătorul și asigurați-vă că revine la poziția inițială atunci când îl eliberați. (Fig. 27)
3. Asigurați-vă că întreprătorul și dispozitivul său de blocare se mișcă liber și că arcul de rapel funcționează corect. (Fig. 28)
4. Porniți produsul. Consultați *Pornirea produsului la pagina 353*.
5. Aplicați puterea maximă.
6. Eliberați întreprătorul și asigurați-vă că accesoriul de tăiere se oprește complet.

Verificarea aparătorii accesoriului de tăiere



AVERTISMENT: Nu utilizați un accesoriu de tăiere fără o aparatoare aprobată și corect atașată a acestuia. Utilizați întotdeauna aparatoarea recomandată pentru accesoriul de tăiere pe care îl utilizați, consultați *Date tehnice la pagina 357*. Dacă este atașată o aparatoare incorectă sau defectă pentru accesoriul de tăiere, aceasta poate provoca vătămări corporale grave.

Aparatoarea accesoriului de tăiere oprește obiectele proiectate în direcția operatorului. Aparatoarea accesoriului de tăiere previne și vătămările corporale care pot apărea dacă atingeți accesoriul de tăiere.

1. Opriti motorul.
2. Verificați vizual eventualele deteriorări, de exemplu, crăpături.

- Folosiți numai bateria din seriile BLi și 40-B. Pentru detalii, consultați *Date tehnice la pagina 357*. Bateria este criptată prin software.
- Utilizați bateriile reîncărcabile din seriile BLi și 40-B ca sursă de alimentare numai pentru produsele Husqvarna asociate. Pentru a evita rănirea, nu folosiți bateria ca sursă de alimentare pentru alte dispozitive.
- Risc de electrocutare. Nu conectați bornele bateriei la chei, monede, șuruburi sau alte metale. Această poate cauza scurtcircuitarea bateriei.
- Nu utilizați baterii nereîncărcabile.
- Nu puneți obiecte în fantele de aerisire a bateriei.
- Feriți bateria de lumina solară, de căldură sau de flăcări deschise. Bateria poate provoca arsuri și/sau arsuri chimice.
- Feriți bateria de ploaie și de condiții de umezeală.
- Feriți bateria de microunde și de înaltă presiune.
- Nu încercați să demontați sau să spargeți bateria.
- Dacă există scurgeri de lichid dintr-o baterie, nu lăsați lichidul să intre în contact cu pielea sau ochii. Dacă ați atins lichidul, curățați zona cu săpun și apă din abundență și consultați medicul. Dacă lichidul pătrunde în ochi, nu frecați, ci spălați-vă cu multă apă timp de cel puțin 15 minute și consultați medicul.
- Utilizați bateria la temperaturi între -10 °C (14 °F) și 40 °C (114 °F).
- Nu curățați niciodată cu apă bateria sau încărcătorul de baterii. Consultați *Curățarea produsului, bateriei și încărcătorului la pagina 355*.
- Nu utilizați o baterie defectă sau deteriorată.
- Depozitați bateriile la distanță de obiecte de metal, de exemplu cuie, șuruburi sau bijuterii.
- Nu lăsați bateria la îndemâna copiilor.

Siguranța încărcătorului de baterii



AVERTISMENT: Înainte de a utiliza produsul, citiți instrucțiunile de avertizare de mai jos.

- Există riscul de electrocutare sau de scurtcircuit dacă nu sunt respectate instrucțiunile de siguranță.
- Nu utilizați alte încărcătoare de baterii decât cel furnizate pentru produsul dvs. Utilizați doar încărcătoare QC80 și 40-C80 când încărcați bateriile de schimb din seriile BLi și 40-B.
- Nu încercați să dezasamblați încărcătorul de baterii.
- Nu utilizați un încărcător de baterii defect sau deteriorat.
- Nu ridicați încărcătorul de baterii ținând de cablul de alimentare. Pentru a deconecta încărcătorul de baterii de la priza de perete, trageți de ștecăr. Nu trageți de cablul de alimentare.
- Feriți toate cablurile și prelungitoarele de apă, ulei și muchii ascuțite. Asigurați-vă că acest cablu nu este

prins între obiecte, de exemplu uși, garduri sau în alte locuri similare.

- Nu utilizați încărcătorul de baterii în apropiere de materiale inflamabile sau materiale care pot cauza coroziune. Asigurați-vă că încărcătorul de baterii nu este acoperit. În caz de fum sau de incendiu, scoateți ștecărul încărcătorului de baterii.
- Încărcați bateria numai în interior, într-un loc cu aerisire adecvată și departe de lumina soarelui. Nu încărcați bateria în exterior. Nu încărcați bateria în medii umede.
- Utilizați încărcătorul de baterii la temperaturi între 5 °C (41 °F) și 40 °C (104 °F). Utilizați încărcătorul într-un mediu foarte bine ventilat, uscat și fără praf.
- Nu puneți obiecte în fantele de răcire a încărcătorului de baterii.
- Nu atingeți niciodată bornele încărcătorului de baterii cu obiecte metalice, deoarece se pot crea scurtcircuite.
- Utilizați prize aprobate care nu sunt deteriorate. Asigurați-vă că nu este deteriorat cablul încărcătorului. Dacă sunt utilizate cabluri prelungitoare, asigurați-vă că acestea nu sunt deteriorate.
- Nu încărcați baterii nereîncărcabile în încărcătorul de baterii.

Instrucțiuni de siguranță pentru întreținere



AVERTISMENT: Înainte de a efectua lucrări de întreținere asupra produsului, citiți instrucțiunile de avertisment de mai jos.

- Scoateți bateria înainte de a efectua întreținerea, alte verificări sau de a asambla produsul.
- Operatorul trebuie să efectueze numai operațiile de întreținere și service indicate în acest manual al operatorului. Apelați la reprezentantul de service pentru întreținerea și service-ul de mai mare amploare.
- Nu curățați niciodată bateria sau încărcătorul cu apă. Detergentul puternic poate deteriora plasticul.
- Dacă nu efectuați operații de întreținere, durata de viață a produsului scade, iar pericolul de accidente crește.
- Este necesară instruirea profesională specială pentru toate lucrările de service și reparații, mai ales pentru dispozitivele de siguranță de pe produs. Dacă nu toate verificările din acest manual al operatorului sunt aprobate; după ce ați efectuat operațiile de întreținere, apelați la reprezentantul de service. Vă garantăm că există servicii profesionale de reparații și service disponibile pentru produsul dvs.
- Utilizați doar piese de schimb originale.

Asamblarea

Introducere



AVERTISMENT: Citiți și înțelegeți capitoul referitor la siguranță înainte de asamblarea produsului.

Pentru a atașa apărătoarea accesoriului de tăiere

1. Puneți apărătoarea accesoriului de tăiere pe carcasa motorului. (Fig. 30)
2. Verificați cârligele de blocare. (Fig. 31)
3. Strângeți șurubul. Utilizați o cheie combinată. (Fig. 32)
4. Strângeți șurubul.

Verificarea accesoriului de tăiere

1. Introduceți cheia combinată în orificiu pentru a bloca arborele. (Fig. 33)
2. Rotiți accesoriul de tăiere și împingeți cu atenție cheia combinată până când arborele de ieșire se blochează.
3. Rotiți accesoriul de tăiere în sensul acelor de ceasornic pentru a-l scoate. Asigurați-vă că discul de antrenare este montat înainte de a instala accesoriul de tăiere. (Fig. 34)
4. Instalați noul accesoriu de tăiere urmând pașii în ordinea inversă. (Fig. 35) (Fig. 36)

Nota: Asigurați-vă că discul de antrenare este montat corect înainte de a instala accesoriul de tăiere.

Montarea apărătoarei de plante

1. Montați apărătoarea de plante în orificiile de pe carcasa motorului. (Fig. 37)
2. Asigurați-vă că apărătoarea de plante se poate deplasa liber înainte și înapoi. (Fig. 38)

Montarea mânerului semicircular

1. Montați șurubul în mânerul semicircular. (Fig. 39)
2. Asamblați mânerul semicircular în accesoriul de pe arbore.
3. Strângeți șuruburile.
4. Reglați mânerul semicircular în poziția corectă. Consultați *Pentru a regla mânerul semicircular și arborele telescopic la pagina 354.*

Instalarea încărcătorului de acumulatori 40-C80 pe perete



ATENȚIE: Nu utilizați o șurubelniță electrică pentru a monta încărcătorul de acumulatori pe perete. Șurubelnița electrică poate cauza deteriorarea încărcătorului de acumulatori.

1. Montați încărcătorul de acumulatori pe perete cu cele 2 șuruburi (A). Utilizați fișe de perete (B) dacă este necesar. (Fig. 40)
2. Montați cele 2 șuruburi în dibluri (C).
3. Conectați cablul de alimentare (D) la încărcătorul de acumulatori și la o priză.

Funcționarea

Introducere



AVERTISMENT: Citiți și înțelegeți capitoul referitor la siguranță înainte de utilizarea produsului.

Înainte de a utiliza produsul

- Examinați zona de lucru pentru a vă asigura că știți despre ce tip de teren este vorba. Examinați panta și dacă există obstacole, precum pietre, ramuri și șanțuri.
- Efectuați o inspecție generală a produsului.
- Efectuați inspecțiile de siguranță, întreținerea și operațiile de service indicate în acest manual.

- Inspectați dacă motorul prezintă murdărie sau fisuri. Utilizați o perie pentru a curăța motorul de iarbă și frunze. Utilizați mănuși dacă este necesar.
- Examinați capul de tuns și apărătoarea accesoriului de tăiere pentru a vedea dacă nu prezintă deteriorări sau fisuri. Înclocuiți capul de tuns și apărătoarea accesoriului de tăiere dacă au suferit șocuri sau dacă prezintă fisuri.
- Verificați dacă toate șuruburile și piulițele sunt strânse bine.
- Asigurați-vă că toate capacele, apărătoarele, mânerele și echipamentul de tăiere sunt corect atașate și nu sunt deteriorate, înainte de a porni produsul.

Acumulator



AVERTISMENT: Citiți cu atenție capitolul referitor la siguranță înainte de a utiliza acumulatorul. Citiți cu atenție informațiile privind acumulatorul și încărcătorul din manualul operatorului.

Păstrați acumulatorul și încărcătorul la temperaturile ambiante corecte.

	Temperatură ambiantă
Utilizarea produsului	-5 °C-40 °C/23 °F-104 °F

Indicator cu LED	Starea bateriei (starea de încărcare)	
	BLI10, BLI20	40-B70, 40-B140
4 LED-uri aprinse	N/A	Bateria este încărcată în proporție de 76-100%.
3 LED-uri aprinse	Bateria este încărcată în proporție de 76-100%.	Bateria este încărcată în proporție de 51-75%.
2 LED-uri aprinse	Bateria este încărcată în proporție de 51-75%.	Bateria este încărcată în proporție de 26-50%.
1 LED este aprins	Bateria este încărcată în proporție de 26-50%.	Bateria este încărcată în proporție de 6-25%.
1 LED luminează intermitent	Bateria este încărcată în proporție de 0-25%.	Bateria este încărcată în proporție de 0-5%.

Încărcarea bateriei

Încărcați bateria dacă este prima dată când o folosiți. O baterie nouă este încărcată doar până la 30%.



ATENȚIE: Conectați încărcătorul de baterii la o priză de alimentare cu tensiunea și frecvența specificate pe plăcuța de identificare.

Bateria nu se încarcă dacă temperatura sa depășește 50 °C / 122 °F.

1. Conectați cablul de alimentare la încărcător.
2. Conectați încărcătorul la o priză cu împământare. Ledul de încărcare luminează o dată. (Fig. 42)
3. Conectați bateria la încărcător. Ledul de încărcare se aprinde. Încărcați bateria timp de maximum 24 de ore. (Fig. 43)
4. Apăsăți butonul indicator al bateriei dacă indicatoarele cu LED se aprind, bateria fiind complet încărcată.
5. Trageți fișa de alimentare pentru a deconecta încărcătorul de baterii de la priză. Nu trageți de cablul de alimentare.
6. Scoateți bateria din încărcător.

	Temperatură ambiantă
Încărcarea acumulatorului	5 °C-40 °C/41 °F-104 °F

Stare baterie

Afișajul arată starea de încărcare și dacă există probleme cu bateria.

(Fig. 41)

Conectarea bateriei la produs



AVERTISMENT: Utilizați numai bateria Husqvarna inițială pentru produs.

1. Încărcați complet bateria.
2. Împingeți bateria în suportul de baterie al produsului. Când auziți un clic, înseamnă că bateria s-a blocat în poziția corectă. (Fig. 44)



ATENȚIE: Dacă bateria nu se deplasează cu ușurință în suportul de baterie, înseamnă că bateria nu este instalată corect. Aceasta poate deteriora produsul.

Pornirea produsului

1. Apăsăți și țineți apăsat butonul de pornire/oprire până când LED-ul verde se aprinde. (Fig. 45)
2. Apăsăți opritorul întrerupătorului și întrerupătorul. Echipamentul de tăiere începe să se rotească.

Pentru a regla mânerul semicircular și arborele telescopic

1. Slăbiți mânerul de blocare și reglați mânerul semicircular în poziția corectă. (Fig. 46)
2. Închideți mânerul de blocare.
3. Slăbiți pârghia pe arbore. (Fig. 47)
4. Reglați lungimea necesară a arborelui. Asigurați-vă că puteți vedea triunghiul pe arbore. (Fig. 48)
5. Închideți pârghia și strângeți șurubul.

Nota: Nu atașați mânerul semicircular pe autocolantele de avertisment de pe arbore.

Utilizarea funcției Save

Acest produs are o funcție de economisire energie, SavE.

Nota: Funcția SavE nu reduce puterea de tăiere a produsului.

1. Apăsăți butonul SavE de pe tastatură.
2. Asigurați-vă că LED-ul verde se aprinde.
3. Apăsăți din nou butonul SavE pentru a dezactiva funcția. LED-ul verde se stinge. (Fig. 49)

Funcția de oprire automată

Produsul dispune de o funcție de oprire, care oprește produsul dacă acesta nu este utilizat. LED-ul verde care indică pornirea/oprirea se stinge, iar produsul se oprește după 180 de secunde.

Utilizarea produsului

Pentru a tăia iarba

1. Asigurați-vă că cuțitele din plastic sau firul pentru trimmer este paralel cu solul atunci când tăiați iarba. (Fig. 50)
2. Nu împingeți capul de trimmer sau Tri-Cut în sol. Acest lucru poate deteriora produsul.

Nota: Temperatura ambientă scăzută aproape de 0° C poate cauza ruperea cuțitului sau a firului pentru trimmer.

3. Mișcați produsul dintr-o parte în alta când tăiați iarba. (Fig. 51)

Nota: Nu utilizați produsul dacă accesoriul de tăiere este deteriorat. Un accesoriu de tăiere deteriorat poate crea un dezechilibru care poate deteriora produsul.

Pentru a mătura iarba

Fluxul de aer de la cuțitele din plastic sau firul pentru trimmer poate fi utilizat pentru eliminarea ierbii tăiate dintr-o zonă.

1. Mențineți capul de trimmer, cuțitele de plastic sau firul pentru trimmer paralel cu solul și deasupra acestuia.
2. Aplicați viteza maximă.
3. Mișcați accesoriul de tăiere dintr-o parte în alta și măturați iarba.



AVERTISMENT: Curățați capacul accesoriului de tăiere la fiecare asamblare a unor cuțite de plastic noi sau unui fir pentru trimmer nou, pentru a preveni dezechilibrarea mânerelor și resimțirea vibrațiilor în acestea. De asemenea, verificați celelalte componente ale accesoriului de tăiere și curățați-le dacă este necesar.

Tăierea aproape de obiecte

1. Trageți în jos apărătoarea de plante. (Fig. 52)
2. Utilizați apărătoarea de plante pentru a evita deteriorarea altor obiecte. (Fig. 53)

Oprirea produsului

1. Eliberați întrerupătorul sau opritorul întrerupătorului.
2. Apăsăți butonul de pornire/oprire până când LED-ul verde se stinge.
3. Apăsăți butoanele de eliberare ale bateriei și scoateți bateria din produs. (Fig. 54)

Înlocuirea cuțitelor din plastic sau a firului pentru trimmer

Consultați ultima pagină a manualului operatorului.

Întreținerea

Introducere



AVERTISMENT: Citiți și înțelegeți capitolul privind siguranța înainte de a efectua operații de întreținere asupra produsului.

Program de întreținere



AVERTISMENT: Scoateți bateria înainte de a efectua operații de întreținere.

În continuare prezentăm o listă de pași de întreținere care trebuie efectuați asupra aparatului. Consultați

Prezentare generală a produsului la pagina 344 pentru mai multe informații.

Întreținere	Zilnic	Săptămănal	Lunar
Curățați componentele externe ale produsului cu o cârpă uscată. Nu folosiți apă.	X		
Asigurați-vă că butoanele Start și Stop funcționează corect și nu sunt deteriorate.	X		
Asigurați-vă că întrerupătorul și opritorul acestuia funcționează corect din punct de vedere al siguranței.	X		
Asigurați-vă că mânerul este uscat și curat.	X		
Asigurați-vă că apărătoarea accesoriului de tăiere nu este deteriorată. Înlocuiți apărătoarea accesoriului de tăiere, dacă este deteriorată.	X		
Asigurați-vă că mânerul sau ghidonul nu este deteriorat și este atașat corect.	X		
Verificați mecanismul de blocare al arborelui telescopic. Consultați <i>Verificarea mecanismului de blocare al arborelui telescopic la pagina 355</i> .	X		
Verificați încărcătorul de acumulatori și asigurați-vă că funcționează corect și că nu este deteriorat.	X		
Asigurați-vă că bateria nu este deteriorată.	X		
Asigurați-vă că bateria este încărcată.	X		
Asigurați-vă că încărcătorul de baterii nu este deteriorat.	X		
Asigurați-vă că șuruburile și piulițele exterioare sunt strânse.		X	
Asigurați-vă că butoanele de eliberare de pe baterie funcționează corect și că fixează bateria în produs.		X	
Verificați dacă există vaselină în bobina capului de trimmer.		X	
Curățați și verificați conexiunile dintre acumulator și produs.			X
Curățați și verificați conexiunea dintre acumulator și încărcător.			X

Examinarea bateriei și încărcătorului

1. Examinați bateria pentru a identifica defecțiunile, de exemplu fisuri.
2. Examinați încărcătorul de baterii pentru a identifica defecțiunile, de exemplu fisuri.
3. Asigurați-vă că cablul de conectare al încărcătorului de baterii nu este deteriorat și că nu prezintă fisuri.

Curățarea produsului, bateriei și încărcătorului

1. Curățați produsul cu o cârpă uscată după utilizare.
2. Curățați bateria și încărcătorul de baterii cu o cârpă uscată. Mențineți curate șinele de ghidaj al bateriei.
3. Asigurați-vă că bornele bateriei și încărcătorul de baterii sunt curate, înainte ca bateria să fie introdusă în încărcător sau produs.

Verificarea și înlocuirea capului Tri-Cut

1. Verificați capul Tri-Cut pentru a vedea dacă prezintă semne de deteriorare și fisuri.
2. Scoateți capul Tri-Cut. Consultați „Demontarea Tri-Cut de pe ultima pagină a manualului operatorului.”
3. Asamblați capul Tri-Cut. Consultați *Verificarea accesoriului de tăiere la pagina 352*.

Verificarea mecanismului de blocare al arborelui telescopic

1. Verificați mecanismul de blocare al arborelui telescopic.
2. Reglați forța de cuplu. (Fig. 55)

Depanarea

Tastatură

Ecraan cu LED-uri	Erori posibile	Soluții posibile
LED-ul de eroare se aprinde intermitent.	Suprasarcină	Accesorii de tăiere nu se mișcă liber. Eliberați accesoriul de tăiere.
	Deviație de temperatură	Lăsați produsul să se răcească.
Produsul nu pornește.	Apăsați întrerupătorul și în același timp apăsați butonul de pornire.	Eliberați întrerupătorul și opriți produsul.
LED-ul de eroare se aprinde cu lumină roșie.	Este necesar să se efectueze lucrări de service asupra produsului	Adresați-vă reprezentantului de servicii.

Baterie

Afișaj LED	Erori posibile	A acțiune posibilă
LED-ul verde se aprinde intermitent.	Tensiune joasă a bateriei.	Încărcați bateria.
LED-ul de eroare se aprinde intermitent.	Deviație de temperatură.	Utilizați bateria la temperaturi între -10°C (14°F) și 40°C (104°F).
	Tensiune prea mare.	Asigurați-vă că tensiunea rețelei de alimentare corespunde celei indicate pe plăcuța de identificare a produsului.
		Scoateți bateria din încărcător.
LED-ul de eroare este aprins.	Diferența între baterii este prea mare (1 V).	Adresați-vă reprezentantului de service.

Încărcător de baterii

Problemă	Erori posibile	Soluție posibilă
LED-ul de încărcare este roșu.	Eroare permanentă încărcător baterii.	Adresați-vă distribuitorului.
LED-ul de încărcare luminează intermitent verde.	Deviație de temperatură, bateria este prea rece sau prea fierbinte pentru a fi utilizată sau încărcată.	Lăsați bateria să se răcească sau încălziți-o. Când bateria are temperatura corectă, aceasta poate fi utilizată sau încărcată din nou. Utilizați încărcătorul de baterii la temperaturi ambiante cuprinse între 5 °C (41 °F) și 40 °C (104 °F).
LED-ul de încărcare luminează intermitent roșu.	Bateria este defectă.	Adresați-vă distribuitorului.

Transportul, depozitarea și eliminarea

Transportul și depozitarea

- Bateriile cu ioni de litiu furnizate respectă cerințele legislației privind bunurile periculoase.
- Respectați cerințele speciale de pe ambalaj și etichete privind transportul comercial, inclusiv cele emise de către terțe părți și companiile de expediție.
- Discutați cu o persoană care a beneficiat de instruire specială privind materialele periculoase înainte de a trimite produsul. Respectați toate reglementările naționale aplicabile.
- Aplicați bandă adezivă pe contactele expuse atunci când introduceți bateria într-un pachet. Bateria trebuie ambalată astfel încât să nu se poată deplasa în interiorul pachetului.
- La depozitare și la transport, scoateți întotdeauna bateria.
- Puneți bateria și încărcătorul de baterii într-un spațiu uscat și ferit de umezeală și îngheț.
- Nu păstrați bateria într-un loc în care poate apărea electricitate statică. Nu depozitați bateria într-o cutie metalică.
- Depozitați bateria la temperaturi între 5°C (41°F) și 25°C (77°F), într-un loc ferit de radiațiile solare directe.
- Depozitați încărcătorul de baterii la temperaturi între 5°C (41°F) și 45°C (113°F), într-un loc ferit de lumină solară directă.
- Utilizați încărcătorul de baterii numai la temperaturi ambiante cuprinse între 5°C/41°F și 40°C/104°F.

- Încărcați bateria în proporție de 30-50% înainte de a o depozita pe o perioadă lungă.
- Depozitați încărcătorul de baterii într-un spațiu închis și uscat.
- Nu depozitați bateria lângă încărcătorul bateriei. Nu lăsați copii și alte persoane neautorizate să atingă echipamentul. Păstrați echipamentul într-un spațiu pe care îl puteți înclui.
- Curățați produsul și efectuați un service complet înainte de a depozita produsul pentru o perioadă lungă de timp.
- Utilizați apărătoarea de transport pe produs pentru a preveni accidentarea sau deteriorarea produsului în timpul transportului și depozitării.
- Fixați foarte bine produsul în timpul transportului.

Eliminarea bateriei, încărcătorului acesteia și a produsului

Simbolurile de pe produs sau de pe ambalajul acestuia înseamnă că produsul nu este deșeu menajer. Reciclați-l la un centru de reciclare pentru echipamente electrice și electronice. Această măsură ajută la protejerea mediului și a oamenilor.

Luăți legătura cu autoritățile locale, centrul de colectare a reziduurilor menajere sau distribuitorul pentru mai multe informații despre modul de reciclare a produsului dvs.

Date tehnice

Date tehnice

	215IL-TC
Motor	
Tip de motor	BLDC
Turația arborelui de ieșire, rpm	6800
Lățime de tăiere, mm	255
Greutate	
Greutate fără baterie, kg	2,9
Emisiile de zgomot ⁶¹	

⁶¹ Emisiile de zgomot în mediu măsurate ca putere acustică (L_{WA}) în conformitate cu directiva CE 2000/14/CE. Diferența dintre puterea garantată a zgomotului și cea măsurată este aceea că puterea garantată a zgomotului include, de asemenea, dispersia în rezultatul de măsurare și variațiile dintre diferitele produse ale aceluiași model conform Directivei 2000/14/CE.

	215iL-TC
Nivel de putere acustică, măsurat dB(A)	90,8
Nivel de putere acustică, garantat L _{WA} dB(A)	93
Niveluri de zgomot ⁶²	
Nivel echivalent de presiune acustică la urechea operatorului, măsurat conform IEC 62841-4-4, dB (A)	81,3
Niveluri de vibrații ⁶³	
Nivelurile de vibrații în mâner, măsurate în conformitate cu IEC 62841-4-4, m/s ²	3,0/2,7
Dotat cu cap de tuns (original), față / spate.	

Baterii aprobate pentru produs

Baterie	BLI10		BLI20		40-B70	40-B140
Tip	Litiu-ion		Litiu-ion		Litiu-ion	Litiu-ion
Capacitate baterie, Ah	Consultați autocolan- tul de identificare a bateriei		Consultați autocolan- tul de identificare a bate- riei		Consultați autocolan- tul de identificare a bateriei	Consultați autocolan- tul de identificare a bateriei
Tensiune no- minală, V	36	36,5	36	36,5	36	36
Greutate, lb/kg	0,7	0,7	1,2	1,2	0,8	1,25

Încărcătoare de baterii aprobate pentru produs

Încărcător baterie	QC80	40-C80
Tensiune rețea, V	100-240	100-240
Frecvență, Hz	50-60	50-60
Putere, W	100	72
Tensiune de ieșire, V cc/ amperi, A	36/2	43/1,6

⁶² Datele raportate pentru nivelul echivalent de presiune acustică pentru produs prezintă o dispersie statistică tipică (abatere standard) de 3 dB (A).

⁶³ Datele raportate pentru nivelul de vibrații prezintă o dispersie statistică tipică (abatere standard) de 1,5 m/s².

Accesorii

Accesorii aprobate

Accesorii aprobate	Tip	Apărătoare accesoriu de tăiere, nr. piesă
Cap de trimmer	R25B (fir Ø 2 mm)	529 96 69-01
Cap de trimmer	Tri-Cut B (255 mm)	529 96 69-01

Declarație de conformitate

Declarație de conformitate UE

Noi, **Husqvarna AB**, SE-561 82 Huskvarna, Suedia, tel.:
+46-36-146500, declarăm pe propria răspundere, că
produsul:

Descriere	Trimmer pentru iarba cu baterie
Marcă	Husqvarna
Tip/Model	215iL-TC
Identificare	Numerele de serie începând cu 2025

respectă în totalitate următoarele directive și
reglementări UE:

Directivă/Reglemen- tare	Descriere
2006/42/CE	„privind echipamentele tehnice”
2014/30/UE	„privind compatibilitatea electromagnetică”
2000/14/CE	„privind emisiile de zgomot în mediul înconjurător”
2011/65/UE	„privind restricțiile de utilizare a anumitor substanțe periculoase în echipamentele electrice și electronice”

și că au fost aplicate următoarele standarde
și/sau specificații tehnice: EN 62841-1:2015+A11:2022,
IEC 62841-4-4:2020, EN ISO 12100:2010, EN
IEC 63000:2018, EN IEC 55014-1:2021; EN IEC
55014-2:2021.

Organismul notificat: 0036 TÜV SÜD Industrie Service
GmbH, Westendstraße199,80686 München,Germany
a certificat conformitatea cu directiva 2000/14/CE a
consiliului, procedura de evaluare a conformității: Anexa
VI.

Pentru informații privind emisiile de zgomot, consultați
Date tehnice la pagina 357.

Huskvarna, 2025-01-10



Claes Losdal, Manager Cercetare și dezvoltare,
Husqvarna AB

Responsabil pentru documentația tehnică



Содержание

Введение.....	361	Транспортировка, хранение и утилизация.....	376
Безопасность.....	362	Технические данные.....	376
Сборка.....	370	Принадлежности.....	378
Эксплуатация.....	371	Декларация о соответствии.....	379
Техническое обслуживание.....	373	Приложение	478
Поиск и устранение неисправностей.....	375		

Введение

Описание изделия

Husqvarna 215iL-TC представляет собой аккумуляторный триммер для травы с электродвигателем.

Мы постоянно совершенствуем свою продукцию с целью повысить вашу безопасность и эффективность во время работы. Для получения более подробной информации обратитесь к своему дилеру по обслуживанию.

Использование по назначению

Изделие предназначено для использования с неметаллическими пластиковыми ножами. Изделие

предназначено только для кошения травы, сорняков и других видов мягкой растительности. Запрещается использовать его в иных целях.

Примечание: Государственные нормативы могут накладывать ограничения на эксплуатацию изделия.

Используйте с данным изделием только одобренные производителем принадлежности. См. раздел *Принадлежности на стр. 378*.

Обзор изделия

(Рис. 1)

1. Триммерная головка Tri-Cut
2. Щиток режущего оборудования
3. Штанга
4. Регулировка штанги (телескопической)
5. Петельная рукоятка
6. Панель управления
7. Предупреждающий индикатор на клавиатуре
8. Кнопка запуска/остановки
9. Кнопка SavE
10. Курок
11. Предохранитель нажатия курка
12. Индикатор включения питания / предупреждающий индикатор
13. Разъем
14. Зарядное устройство для аккумулятора 40-C80
15. Ограничитель для защиты растений
16. Предупреждающий индикатор аккумулятора
17. Состояние аккумулятора
18. Кнопка-индикатор аккумулятора
19. Кнопки извлечения аккумулятора
20. Аккумулятор
21. Комбинированный инструмент
22. Ведущий диск
23. Руководство по эксплуатации

Символы на изделии

(Рис. 2) **ПРЕДУПРЕЖДЕНИЕ.** Изделие может представлять опасность и стать причиной тяжелой травмы или смерти оператора или окружающих. Соблюдайте осторожность и правила эксплуатации изделия.

(Рис. 3) Перед началом работы внимательно прочитайте руководство по эксплуатации и убедитесь, что понимаете приведенные в нем инструкции.

(Рис. 4) Используйте средства защиты глаз и органов слуха.

(Рис. 5) Запрещается эксплуатировать или оставлять изделие под дождем.

(Рис. 6) Табличка с уровнем эмиссии шума в окружающую среду в соответствии с директивами и нормативами Великобритании и ЕС (в том числе в соответствии с требованиями законодательства Нового Южного Уэльса). Данные об эмиссии шума приведены на паспортной табличке

изделия и в разделе "Технические данные". Данные актуальны только при использовании изделия с триммерным кордом.

(Рис. 7) Остерегайтесь отбрасываемых предметов.

(Рис. 8) Перед техническим обслуживанием отсоедините аккумулятор.

(Рис. 9) Запрещается утилизировать данное изделие и его упаковку в качестве бытовых отходов. Изделие необходимо

передать в пункт переработки электрического и электронного оборудования.

(Рис. 10) Изделие соответствует действующим директивам ЕС.

(Рис. 11) Данное изделие соответствует действующим директивам Великобритании.

(Рис. 12) Постоянный ток.

(Рис. 16) Расстояние между изделием и людьми должно быть не менее 15 м (50 футов).

(Рис. 17) Не используйте металлические ножи.

yyyywwxxxxx

На паспортной табличке или лазерной гравировке указан серийный номер. **yyuu** означает год производства, **ww** — производственную неделю.

Условные обозначения на аккумуляторе и/или зарядном устройстве аккумулятора

(Рис. 18) После завершения срока службы изделие необходимо передать в пункт переработки электрического и электронного оборудования. (Только для Европы)

(Рис. 13) Надежный трансформатор.

(Рис. 14) Зарядное устройство должно использоваться и храниться только внутри помещений.

(Рис. 15) Двойная изоляция.

Повреждение изделия

Мы не несем ответственности за повреждение изделия в следующих случаях:

- ненадлежащий ремонт изделия;
- использование для ремонта изделия неоригинальных деталей или деталей, не одобренных производителем;
- использование неоригинальных дополнительных принадлежностей или принадлежностей, не одобренных производителем;
- ремонт изделия в неавторизованном сервисном центре или неквалифицированным специалистом.

Безопасность

Инструкции по технике безопасности

Предупреждения, предостережения и примечания используются для выделения особо важных пунктов руководства.



ПРЕДУПРЕЖДЕНИЕ:

Используется, когда несоблюдение инструкций руководства может привести к травмам или смерти оператора или находящихся рядом посторонних лиц.



ВНИМАНИЕ: Используется, когда несоблюдение инструкций руководства

может привести к повреждению изделия, других материалов или прилегающей территории.

Примечание: Используется для предоставления дополнительных сведений о конкретной ситуации.

Общие указания техники безопасности при работе с изделием



ПРЕДУПРЕЖДЕНИЕ:

Ознакомьтесь со всеми предупреждениями, инструкциями, иллюстрациями и положениями, касающимися техники безопасности и прилагаемыми к данному изделию. Несоблюдение всех указанных ниже инструкций может привести к поражению электрическим током, пожару и/или тяжелым травмам.

Сохраните все предупреждающие указания и инструкции для последующего обращения.

Примечание: Под словом "изделие" в данном документе понимается электрическое (проводное) либо аккумуляторное (беспроводное) оборудование.

Техника безопасности на рабочем месте

- Рабочее место должно содержаться в чистоте и быть хорошо освещено. Загромождения или ненадлежащее освещение могут стать причиной несчастных случаев.
- Запрещается использовать изделие во взрывоопасной атмосфере, например в присутствии легковоспламеняющихся жидкостей, газов или пыли. Изделия образуют искры, которые могут вызвать возгорание пыли или паров.
- Не позволяйте детям и посторонним лицам приближаться к вам во время использования изделия. Это может отвлечь ваше внимание и привести к потере управления.

Электрическая безопасность

- Вилка изделия должна соответствовать электрической розетке. Запрещается вносить изменения в конструкцию вилки. Запрещается использовать переходники с заземленными изделиями. Отсутствие изменений в конструкции вилок и их соответствие розеткам снижает риск поражения электрическим током.
- Избегайте контакта любых частей тела с заземленными поверхностями, такими как трубы, радиаторы, плиты и холодильники. Заземление тела увеличивает риск поражения электрическим током.
- Не подвергайте изделия воздействию воды или высокой влажности. Попадание воды в изделие повышает риск поражения электрическим током.
- Используйте шнур только по прямому назначению. Никогда не носите и не тяните изделие за шнур и не дергайте за него при извлечении вилки из розетки. Держите шнур вдали от источников тепла,

масла, острых углов или движущихся деталей. Эксплуатация поврежденного или спутанного шнура увеличивает риск поражения электрическим током

- При работе с изделием вне помещения используйте специальный удлинительный шнур для уличного применения. Использование шнура, предназначенного для уличного применения, снижает риск поражения электрическим током.
- Если работа с изделием во влажной среде неизбежна, используйте источник питания, оснащенный устройством защитного отключения (УЗО). Использование УЗО снижает риск поражения электрическим током.

Личная безопасность

- При работе с изделием будьте бдительны, следите за своими действиями и руководствуйтесь здравым смыслом. Не используйте изделие, если вы устали или находитесь под воздействием наркотических средств, алкоголя или лекарств. Малейшая невнимательность при работе с изделиями может обернуться серьезными травмами.
- Пользуйтесь средствами индивидуальной защиты. Всегда носите защитные очки. Средства индивидуальной защиты, такие как респиратор, нескользящая защитная обувь, каска или средства защиты органов слуха, существенно снижают риск получения травм.
- Примите меры по предотвращению случайного запуска. Перед подключением изделия к источнику питания и/или аккумуляторному блоку, его подъемом или переноской убедитесь, что переключатель находится в положении выключения. Не переносите изделия, держа палец на переключателе, а также не подавайте питание на изделия с включенным переключателем, т. к. это может привести к несчастному случаю.
- Перед включением изделия уберите все регулировочные и гаечные ключи. Ключ, оставленный на вращающейся части изделия, может стать причиной травмы.
- Не тянитесь слишком далеко. Сохраняйте равновесие и устойчивое положение ног. Благодаря этому вы сможете лучше контролировать изделие в непредвиденных ситуациях.
- Надевайте соответствующую одежду. Не надевайте свободную одежду и украшения. Не допускайте попадания волос и одежды в движущиеся части изделия. Свободная одежда, украшения и длинные волосы могут попасть в движущиеся части.
- Если инструмент может дополнительно оснащаться устройствами для сбора и удаления пыли, убедитесь, что они подключаются и используются надлежащим образом. Такие

устройства способствуют снижению опасностей, связанных с наличием пыли.

- **Не допускайте, чтобы чувство уверенности, приобретенное вследствие частой работы с изделиями, позволило вам забыть об опасностях и игнорировать принципы обеспечения безопасности.** Неосторожные действия могут привести к тяжелой травме за долю секунды.

Эксплуатация и обслуживание изделия

- **Не перегружайте изделие.** Убедитесь, что изделие подходит для выполнения конкретной задачи. Правильно выбранное изделие лучше и надежнее справится с задачей, соответствующей его конструктивным характеристикам.
- **Не пользуйтесь изделием, если его переключатель не работает.** Если управление изделием с помощью переключателя невозможно, такое изделие представляет опасность и подлежит обязательному ремонту.
- **Прежде чем производить регулировки на изделии, заменять принадлежности или убирать его на хранение, отключите изделие от источника питания и/или снимите аккумуляторный блок (если снимается).** Эти меры предосторожности позволяют исключить риск случайного запуска изделия.
- **Храните неиспользуемые изделия в недоступном для детей месте и не позволяйте работать с изделиями лицам, не ознакомленным с ними и с данными инструкциями по эксплуатации.** В руках неопытных пользователей изделия являются источником опасности.
- **Выполняйте обслуживание изделий и принадлежностей.** Проверяйте точность регулировки и отсутствие заедания движущихся частей, отсутствие поломанных деталей и иных неисправностей, которые могут нарушить работу изделия. При наличии повреждений выполните необходимый ремонт, прежде чем использовать изделие. Причиной многих несчастных случаев является ненадлежащее техническое обслуживание изделий.
- **Поддерживайте остроту и чистоту режущих инструментов.** Исправное режущее оборудование с острыми режущими кромками меньше подвержено поломкам и проще в управлении.
- **Используйте изделие, принадлежности, наконечники и т. д. в соответствии с данными инструкциями, принимая во внимание условия работы и специфику выполняемой задачи.** Использование изделия не по назначению может привести к опасным ситуациям.
- **Рукоятки и поверхности захвата должны быть сухими и чистыми, без следов масла и смазки.** Скользкие рукоятки и поверхности захвата не обеспечивают надежного управления и контроля за изделием в непредвиденных ситуациях.

Эксплуатация и обслуживание аккумуляторного изделия

- **Выполняйте зарядку только с помощью зарядного устройства, указанного производителем.** Зарядное устройство, подходящее для одного типа аккумуляторного блока, может создать опасность возгорания при использовании с аккумуляторным блоком другого типа.
- **Используйте изделие только с совместимыми аккумуляторными блоками.** Использование других аккумуляторных блоков может создать опасность травмы или возгорания.
- **Когда аккумуляторный блок не используется, храните его вдали от металлических предметов, таких как скрепки, монеты, ключи, гвозди, винты или иные мелкие предметы, которые могут замкнуть клеммы аккумулятора.** Замыкание клемм аккумулятора может привести к ожогам или пожару.
- **При неправильном обращении из аккумулятора может вытечь жидкость; избегайте контакта с вытекшей жидкостью.** При случайном контакте промойте место соприкосновения водой. При попадании жидкости в глаза обратитесь за медицинской помощью. Вытекшая из аккумулятора жидкость может привести к раздражению или ожогу.
- **Запрещается использовать аккумуляторный блок или изделие, если они повреждены или модифицированы.** Поврежденные или подвергнутые модификации аккумуляторы могут работать неправильно, что приведет к возникновению пожара, взрыва или риску получения травм.
- **Не подвергайте аккумуляторный блок или изделие воздействию огня или чрезмерно высоким температурам.** Воздействие огня или температуры выше 130 °C (265 °F) может привести к взрыву.
- **Точно следуйте всем инструкциям по зарядке и ни в коем случае не заряжайте аккумуляторный блок или изделие при температуре, выходящей за пределы указанного в инструкциях диапазона.** Ненадлежащая зарядка или зарядка при температуре выше или ниже указанного диапазона может привести к повреждению аккумулятора и повышенному риску пожара.

Сервисное обслуживание

- **Обслуживание изделия должны выполнять квалифицированные специалисты по ремонту оборудования с использованием только идентичных запчастей.** Благодаря этому безопасность изделия сохраняется на надлежащем уровне.
- **Никогда не выполняйте обслуживание поврежденных аккумуляторных блоков.** Обслуживание аккумуляторных блоков должно

выполняться только производителем или специалистами авторизованных сервисных центров.

Указания техники безопасности при работе с триммером

- **Не используйте изделие в плохих погодных условиях, особенно если существует риск удара молнии.** Это позволяет уменьшить риск поражения молнией.
- **Внимательно осмотрите участок, где будет использоваться изделие, на наличие диких животных.** Во время работы изделие может травмировать диких животных.
- **Внимательно осмотрите место эксплуатации изделия, уберите все камни, палки, провода, кости и прочие посторонние предметы.** Отбрасываемые предметы могут стать причиной травмы.
- **Каждый раз перед эксплуатацией осматривайте режущее оборудование или нож и соответствующие крепления на наличие повреждений.** Поврежденные детали повышают риск получения травмы.
- **Соблюдайте инструкции по замене принадлежностей.** Неправильная затяжка крепежных гаек или болтов ножа может стать причиной повреждения ножа или его отсоединения.
- **Используйте средства защиты глаз, органов слуха, головы и рук.** Надлежащие средства защиты способствуют снижению риска получения травм из-за разлетающегося мусора или случайного контакта с кордом или ножом.
- **При работе с изделием всегда надевайте защитную обувь с нескользящей подошвой. Запрещается работать с изделием босиком или в открытых сандалиях.** Эта мера необходима для снижения вероятности получения травм ног от контакта с вращающимся кордом или ножом.
- **При эксплуатации изделия обязательно надевайте длинные брюки.** Непокрытые участки тела подвержены большему риску получения травмы от отбрасываемых предметов.
- **Не допускайте приближения посторонних лиц к вам во время работы изделия.** Отбрасываемый мусор может привести к серьезным травмам.
- **Во время работы всегда держите изделие двумя руками.** Изделие требуется удерживать обеими руками во избежание потери управления.
- **Держите изделие только за изолированные поверхности, поскольку корд или нож может войти в контакт со скрытой электропроводкой.** При контакте корда или ножей с проводом, находящимся под напряжением, неизолированные металлические детали изделия также окажутся под напряжением и могут поразить оператора электрическим током.
- **При использовании изделия всегда сохраняйте устойчивое положение и работайте только стоя на земле.** Скользкие или неустойчивые поверхности могут привести к потере равновесия или контролю над изделием.
- **Запрещается использовать изделие на очень крутых склонах.** Это снижает риск потери управления, поскользывания и падения и, как следствие, получения травм.
- **При работе на склонах всегда сохраняйте устойчивое положение, перемещайтесь поперек склона, никогда не двигайтесь вверх или вниз и будьте предельно осторожны при изменении направления движения.** Это снижает риск потери управления, поскользывания и падения и, как следствие, получения травм.
- **Во время работы изделия держите все части тела на безопасном расстоянии от режущего полотна, корда или ножа. Перед запуском изделия убедитесь, что режущее полотно, корд или нож не касаются никаких предметов.** Малейшая невнимательность при работе с изделием может обернуться серьезными травмами оператора или окружающих.
- **Запрещается эксплуатировать изделие выше уровня пояса.** Это поможет предотвратить случайный контакт режущего полотна или ножа с предметами и обеспечит более надежное управление изделием в непредвиденных ситуациях.
- **При обрезке кустарника или молодых деревьев, ветки которых находятся в напряженном состоянии, будьте готовы к тому, что ветки могут отскочить.** Из-за внутреннего напряжения, накопленного в волокнах древесины, ветка кустарника или молодого дерева может ударить оператора и/или привести к потере контроля над изделием.
- **Соблюдайте предельную осторожность при обрезке кустарника и молодых деревьев.** Тонкие ветки могут быть захвачены ножом и отброшены в сторону оператора, из-за чего оператор может потерять равновесие.
- **Сохраняйте контроль над изделием и не прикасайтесь к режущему полотну, корду, ножам и другим опасным движущимся частям во время их работы.** Это снижает риск получения травм от движущихся частей.
- **Переносите изделие, предварительно выключив его и направляя в сторону от себя.** Надлежащее обращение с изделием уменьшает вероятность случайного контакта с движущимся режущим полотном, кордом или ножом.
- **Используйте только сменные режущие полотна, корды, режущие головки и ножи, указанные производителем.** Установка неподходящих деталей при замене может повысить риск поломки и получения травм.
- **При удалении застрявшего материала или обслуживании изделия убедитесь,**

что выключатель выключен и аккумулятор извлечен. Непредвиденное включение изделия при удалении застрявшего материала или техобслуживании может привести к тяжелой травме.

Проверка перед запуском

- Во избежание случайного запуска изделия необходимо всегда извлекать из него аккумулятор. Перед проведением техобслуживания изделия необходимо всегда извлекать из него аккумулятор.
- Перед началом эксплуатации изделия, а также после каких-либо нагрузок необходимо проверить его на наличие признаков износа или повреждений и при необходимости выполнить ремонт.
- Осмотрите рабочую зону. Уберите все свободно лежащие предметы, например, камни, разбитое стекло, гвозди, стальную проволоку, веревки и прочее, поскольку они могут быть отброшены или намотаны на режущее оборудование или его щиток.
- Проверьте двигатель на наличие загрязнений и трещин. Очистите двигатель от травы и листьев с помощью щетки. При необходимости наденьте перчатки.
- Убедитесь, что триммерная головка надежно установлена на травососилку.
- Убедитесь, что изделие находится в надлежащем рабочем состоянии. Проверьте надежность затяжки всех гаек и винтов.
- Проверьте триммерную головку и щиток режущего оборудования на отсутствие повреждений и трещин. При наличии трещин или после удара триммерную головку или щиток режущего оборудования необходимо заменить. Всегда пользуйтесь рекомендуемой защитой для каждого типа режущего оборудования. См. раздел "Технические данные".
- Пользователь должен следить за тем, чтобы во время работы в радиусе 15 м не было людей или животных. Когда на одном участке одновременно работают несколько операторов, безопасное расстояние между ними должно быть не менее 15 м.
- Перед началом эксплуатации изделия проведите его общий осмотр. См. график техобслуживания.
- Использование может ограничиваться государственными или региональными нормативными требованиями. Соблюдайте действующие требования.

Всегда руководствуйтесь здравым смыслом

Невозможно предвидеть все ситуации, с которыми вы можете столкнуться. Всегда соблюдайте осторожность и руководствуйтесь здравым смыслом. Не выполняйте работу, если вам кажется, что уровень вашей квалификации недостаточен. Переделывание объекта и/или ремонт машины

обойдутся дороже правильного решения. Если после изучения руководства у вас остались вопросы относительно эксплуатации агрегата, прежде чем приступить к работе, обратитесь за консультацией к специалисту.



ПРЕДУПРЕЖДЕНИЕ: Никогда не позволяйте детям пользоваться инструментом или находиться рядом с ним. Поскольку инструмент можно запустить без особого труда, это могут сделать дети, находящиеся без должного присмотра. Это создает риск получения тяжелых травм. Поэтому следует отсоединять аккумулятор, когда инструмент остается без присмотра.

Общие инструкции по технике безопасности



ПРЕДУПРЕЖДЕНИЕ: В обязательном порядке прочитайте следующие инструкции по технике безопасности, прежде чем приступить к эксплуатации изделия.

- Во избежание случайного запуска изделия необходимо извлекать из него аккумулятор.
- Изделие представляет опасность при небрежном или неправильном обращении. Изделие может стать причиной тяжелой травмы или смерти оператора и окружающих.
- Запрещается пользоваться изделием, в начальную конструкцию которого внесены какие-либо изменения. Запрещается вносить изменения в конструкцию изделия без одобрения производителя. Используйте только рекомендованные производителем детали. Неправильное техобслуживание может привести к травме или смерти.
- Перед началом эксплуатации проверьте изделие. См. разделы *Защитные устройства на изделии на стр. 367* и *Обзор изделия на стр. 361*. Не используйте изделие, если оно повреждено или работает неправильно. Проверяйте состояние защитных устройств и проводите техобслуживание в соответствии с инструкциями настоящего руководства.
- Не позволяйте детям играть с изделием. Ни при каких обстоятельствах не позволяйте детям или иным лицам, не знакомым с правилами эксплуатации изделия и/или аккумулятора, работать с этим изделием или выполнять его техобслуживание. Местные законы могут устанавливать требования к возрасту оператора.
- Храните изделие в запечатом помещении для предотвращения доступа к изделию детей или посторонних лиц.
- Храните изделие в недоступном для детей месте.

- Ни при каких обстоятельствах не допускается внесение изменений в конструкцию изделия без разрешения производителя. Использование только оригинальные принадлежности. Внесение не одобренных изменений и/или использование неразрешенных принадлежностей может привести к тяжелой травме или смерти оператора или других лиц.
- Заявленное суммарное значение вибрации измерено в соответствии со стандартным методом испытания и может быть использовано для сравнения одного инструмента с другим.
- Заявленное суммарное значение вибрации может также использоваться для предварительной оценки воздействия.
- Вибрации во время фактического использования электроинструмента могут отличаться от заявленного суммарного значения в зависимости от того, каким образом инструмент используется. Операторы должны определять меры безопасности для собственной защиты, основываясь на оценке воздействия в конкретных условиях эксплуатации (с учетом всех этапов рабочего цикла, таких как время отключения изделия и время вращения на холостом ходу в дополнение к триггеру).
- При необходимости надевайте перчатки, например, при закреплении, проверке или очистке режущего оборудования.
(Рис. 21)
- Надевайте защитные ботинки со стальным носком и нескользящей подошвой.
(Рис. 22)
- Надевайте одежду из прочного материала. Всегда надевайте длинные прочные брюки и верхнюю одежду с длинными рукавами. Запрещается надевать свободную одежду, которая может зацепиться за ветви или кустарник. Не надевайте ювелирные украшения, короткие брюки или сандалии. Не ходите босиком. Зафиксируйте волосы выше уровня плеч.
- Средства оказания первой помощи всегда должны быть под рукой.

(Рис. 23)

Защитные устройства на изделии



ПРЕДУПРЕЖДЕНИЕ: В обязательном порядке прочитайте следующие инструкции по технике безопасности, прежде чем приступать к эксплуатации изделия.

Примечание: Эксплуатация данного изделия может регулироваться государственными или региональными законами. Соблюдайте действующие требования.

Средства индивидуальной защиты



ПРЕДУПРЕЖДЕНИЕ: В обязательном порядке прочитайте следующие инструкции по технике безопасности, прежде чем приступать к эксплуатации изделия.

- Каждый раз при работе с изделием следует использовать одобренные средства индивидуальной защиты. Средства индивидуальной защиты не могут полностью исключить риск получения травмы, но при несчастном случае они снижают тяжесть травмы. Обратитесь к дилеру за помощью в подборе надлежащих средств защиты.
- Используйте одобренные средства защиты органов слуха.

(Рис. 19)

- Используйте одобренные средства защиты глаз. При использовании защитной маски следует пользоваться также одобренными защитными очками. Под одобренными защитными очками подразумеваются очки, отвечающие требованиям стандарта ANSI Z87.1 для США или EN 166 для стран ЕС.

(Рис. 20)



ПРЕДУПРЕЖДЕНИЕ: Ни в коем случае не пользуйтесь изделием с поврежденными защитными приспособлениями. Техобслуживание и проверка защитных приспособлений должны выполняться в соответствии с инструкциями в данном разделе. Если в рамках этих проверок обнаружены неисправности изделия, обратитесь в сервисный центр для проведения ремонта.



ВНИМАНИЕ: Для обслуживания и ремонта изделия требуется специальная подготовка. Это в частности относится к защитным приспособлениям изделия.

Если одна или несколько проверок, описанных ниже, не пройдены, обратитесь в сервисный центр. При приобретении любой нашей продукции вы получаете доступ к профессиональной помощи по ремонту и обслуживанию. Если изделие было приобретено у дилера, не имеющего сервисного центра, узнайте у дилера адрес ближайшего сервисного центра.

используемого в данный момент режущего оборудования, см. раздел *Технические данные на стр. 376*. Установка неправильного или неисправного щитка режущего оборудования может привести к тяжелой травме.

Проверка клавиатуры

1. Нажмите и удерживайте нажатой кнопку запуска/остановки (A). (Рис. 24)
 - a) Изделие включено, когда горит светодиодный индикатор (B).
 - b) Изделие выключено, когда светодиодный индикатор (B) не горит.
2. Если загорается или мигает предупреждающий индикатор (C), см. раздел *Кнопочная панель на стр. 375*.

Проверка стопора переключателя

Стопор переключателя предотвращает случайный запуск инструмента. При нажатии на стопор (A) выполняется разблокировка переключателя (B). При отпускании рукоятки стопор переключателя и сам переключатель возвращаются в исходные положения. (Рис. 25)

1. Проверьте, чтобы переключатель был зафиксирован, когда его стопор находится в исходном положении. (Рис. 26)
2. Нажмите на переключатель и убедитесь, что он возвращается в исходное положение при его отпускании. (Рис. 27)
3. Убедитесь, что стопор переключателя и сам переключатель свободно перемещаются, а возвратная пружина работает надлежащим образом. (Рис. 28)
4. Запустите агрегат. См. раздел *Запуск агрегата на стр. 372*.
5. Включите режим полной мощности.
6. Отпустите переключатель и убедитесь, что режущее оборудование полностью останавливается.

Проверка щитка режущего оборудования



ПРЕДУПРЕЖДЕНИЕ:

Запрещается использовать режущее оборудование без одобренного и правильно установленного щитка режущего оборудования. Всегда используйте щиток режущего оборудования, рекомендованный для

Щиток режущего оборудования предотвращает выброс предметов в сторону оператора. Щиток режущего оборудования также предотвращает травмы, которые могут возникнуть при прикосновении к режущему оборудованию.

1. Остановите электродвигатель.
2. Осмотрите на наличие повреждений, например, трещин.
3. Если щиток режущего оборудования поврежден, замените его.

Режущее оборудование

Выбирайте подходящее режущее оборудование и выполняйте его техническое обслуживание, чтобы:

- добиться максимально эффективного кошения;
- продлить срок службы режущего оборудования.



ПРЕДУПРЕЖДЕНИЕ:

Используйте режущее оборудование только с рекомендованной защитой! См. раздел *Одобренные принадлежности на стр. 378*. См. инструкции по эксплуатации режущего оборудования, где описана процедура установки триммерного корда и пластиковых ножей.



ПРЕДУПРЕЖДЕНИЕ:

Поврежденное режущее оборудование увеличивает риск несчастных случаев.



ПРЕДУПРЕЖДЕНИЕ:

Всегда отключайте питание, прежде чем приступить к работе с режущим оборудованием. Оно продолжает вращаться даже после того, как вы отпустите курок. Убедитесь, что режущее оборудование полностью остановилось, и отсоедините аккумулятор от изделия, прежде чем приступить к работе с ним.

Режущее оборудование



ПРЕДУПРЕЖДЕНИЕ:

В обязательном порядке убедитесь, что триммерный корд плотно и равномерно намотан на барабан во избежание опасной вибрации.

(Рис. 29)

- Используйте только рекомендованное режущее оборудование.
- Крайне важна длина триммерного корда. Более длинный корд требует больше мощности двигателя, чем короткий корд такого же диаметра.
- Убедитесь, что нож на щитке режущего оборудования не поврежден. Он обрезает триммерный корд до необходимой длины.
- Для продления срока службы триммерного корда его можно вымачивать в воде в течение нескольких дней перед использованием.

Техника безопасности при работе с аккумулятором



ПРЕДУПРЕЖДЕНИЕ: В обязательном порядке прочитайте следующие инструкции по технике безопасности, прежде чем приступить к эксплуатации изделия.

- Используйте только аккумуляторы серий BLi и 40-V. Подробнее см. в разделе *Технические данные на стр. 376*. Для аккумуляторов используется программное обеспечение с криптографической защитой.
- Используйте перезаряжаемые аккумуляторы серий BLi и 40-V в качестве источника питания только для тех изделий Husqvarna, для которых они предназначены. Во избежание травм запрещается использовать аккумулятор в качестве источника питания для других устройств.
- Риск поражения электрическим током. Не допускайте контакта клемм аккумулятора с ключами, монетами, винтами или другими металлическими предметами. Это может привести к короткому замыканию аккумулятора.
- Запрещается использовать одноразовые аккумуляторы.
- Не размещайте посторонние предметы на воздухозаборниках аккумулятора.
- Аккумулятор не должен подвергаться воздействию солнечного света, тепла или открытого пламени. Аккумулятор может стать причиной ожогов, в том числе химических.
- Защищайте аккумулятор от дождя и сырости.
- Не подвергайте аккумулятор воздействию микроволн и высокого давления.
- Не пытайтесь разбирать или ломать аккумулятор.
- При возникновении утечки из аккумулятора не допускайте попадания жидкости на кожу или в глаза. В случае контакта с жидкостью промойте участок контакта большим количеством воды с мылом и обратитесь за медицинской помощью. При попадании жидкости в глаза нельзя их

тереть. Необходимо промывать глаза обильным количеством воды на протяжении не менее 15 минут, а затем обратиться за медицинской помощью.

- Используйте аккумулятор при температуре в диапазоне от -10 до 40 °C (от 14 до 114 °F).
- Очистка аккумулятора или зарядного устройства водой запрещена. См. раздел *Очистка изделия, аккумулятора и зарядного устройства на стр. 374*.
- Запрещается использовать неисправный или поврежденный аккумулятор.
- Храните аккумуляторы вдали от металлических предметов, таких как гвозди, винты или ювелирные изделия.
- Храните аккумулятор в недоступном для детей месте.

Техника безопасности при работе с зарядным устройством для аккумулятора



ПРЕДУПРЕЖДЕНИЕ: В обязательном порядке прочитайте следующие инструкции по технике безопасности, прежде чем приступить к эксплуатации изделия.

- Риск поражения электрическим током или короткого замыкания в случае несоблюдения инструкций по технике безопасности.
- Используйте только то зарядное устройство, которое входит в комплект поставки изделия. Используйте зарядные устройства QC80 и 40-C80 только для зарядки сменных аккумуляторов серий BLi и 40-V.
- Не пытайтесь разбирать зарядное устройство.
- Запрещается использовать неисправное или поврежденное зарядное устройство.
- Не поднимайте зарядное устройство за кабель питания. Для отсоединения зарядного устройства от сетевой розетки потяните за вилку. Не тяните за шнур питания.
- Кабели и удлинители не должны контактировать с водой, маслом и острыми краями. Убедитесь, что кабель не застрял в препятствии, например, в двери, заборе и т.д.
- Запрещается использовать зарядное устройство вблизи легковоспламеняющихся материалов и материалов, которые вызывают коррозию. Убедитесь, что зарядное устройство ничем не накрыто. В случае появления дыма или огня извлеките вилку зарядного устройства из розетки.
- Заряжайте аккумулятор только в хорошо проветриваемом помещении вдали от солнечных лучей. Запрещается заряжать аккумулятор вне помещения. Запрещается заряжать аккумулятор в условиях высокой влажности.

- Используйте зарядное устройство только при температуре в диапазоне от 5 до 40 °C (от 41 до 104 °F). Используйте зарядное устройство в хорошо проветриваемых сухих помещениях, защищенных от пыли.
- Не вставляйте посторонние предметы в воздухозаборники зарядного устройства, предназначенные для его охлаждения.
- Не подсоединяйте металлические предметы к клеммам зарядного устройства, т.к. это может привести к короткому замыканию зарядного устройства.
- Используйте одобренные сетевые розетки, которые находятся в исправном состоянии. Убедитесь, что шнур зарядного устройства не поврежден. В случае использования удлинительных кабелей следите за их целостностью.
- Не пытайтесь заряжать одноразовые аккумуляторы в зарядных устройствах.

безопасности, прежде чем приступать к техобслуживанию изделия.

- Перед сборкой изделия, проведением техобслуживания или иных проверок извлекайте из него аккумулятор.
- Оператор может выполнять только те работы по техническому и сервисному обслуживанию, которые описаны в данном руководстве по эксплуатации. Для проведения более сложных работ по техническому и сервисному обслуживанию обращайтесь к своему дилеру по обслуживанию.
- Очистка аккумулятора или зарядного устройства водой запрещена. Использование сильного моющего средства может повредить пластмассу.
- При невыполнении работ по техобслуживанию срок службы изделия сокращается, а риск возникновения несчастных случаев увеличивается.
- Для выполнения любых работ по сервисному обслуживанию и ремонту, особенно защитных приспособлений изделия, необходимо пройти специальное обучение. Если после выполнения обслуживания при проведении проверок были выявлены неисправности, обратитесь к своему дилеру по обслуживанию. Мы гарантируем, что ремонт и обслуживание вашего изделия будут выполнять квалифицированные профессионалы.
- Пользуйтесь только оригинальными запасными частями.

Инструкции по технике безопасности во время технического обслуживания



ПРЕДУПРЕЖДЕНИЕ: В обязательном порядке прочитайте следующие инструкции по технике

Сборка

Введение



ПРЕДУПРЕЖДЕНИЕ: Перед сборкой изделия внимательно изучите раздел техники безопасности.

Установка щитка режущего оборудования

1. Установите щиток режущего оборудования на корпус двигателя. (Рис. 30)
2. Проверьте фиксаторы. (Рис. 31)
3. Затяните болт. Используйте комбинированный ключ. (Рис. 32)
4. Затяните болт.

Замена режущего оборудования

1. Вставьте комбинированный ключ в отверстие, чтобы зафиксировать вал. (Рис. 33)
2. Поворачивайте режущее оборудование и осторожно нажимайте на комбинированный ключ, пока выходной вал не будет заблокирован.

3. Поверните режущее оборудование по часовой стрелке, чтобы снять его. Перед установкой режущего оборудования убедитесь, что ведущий диск установлен на место. (Рис. 34)
4. Установка нового режущего оборудования выполняется в обратном порядке. (Рис. 35) (Рис. 36)

Примечание: Перед установкой режущего оборудования убедитесь, что ведущий диск установлен на место.

Установка ограничителя для защиты растений

1. Установите ограничитель для защиты растений в отверстие на корпусе двигателя. (Рис. 37)
2. Убедитесь, что ограничитель для защиты растений может свободно перемещаться вперед и назад. (Рис. 38)

Сборка петельной рукоятки

1. Установите винт в петельную рукоятку. (Рис. 39)

- Установите петельную рукоятку в крепление на штанге.
- Затяните винты.
- Отрегулируйте положение петельной рукоятки. См. раздел *Регулировка петельной рукоятки и телескопической штанги на стр. 372*.

зарядного устройства на стену.
Электрическая отвертка может повредить зарядное устройство.

Монтаж зарядного устройства 40-С80 на стену



ВНИМАНИЕ: Не используйте электрическую отвертку для монтажа

- Установите зарядное устройство на стену с помощью 2 винтов (А). При необходимости используйте дюбели (В). (Рис. 40)
- Установите 2 заглушки на винты (С).
- Подсоедините шнур питания (D) к зарядному устройству и сетевой розетке.

Эксплуатация

Введение



ПРЕДУПРЕЖДЕНИЕ: Перед эксплуатацией изделия внимательно изучите раздел техники безопасности.

Перед началом эксплуатации изделия

- Изучите участок работы и его рельеф. Проверьте уклон участка и наличие препятствий, например, камней, веток и ям.
- Осмотрите изделие.
- Проведите проверку безопасности и процедуры технического и сервисного обслуживания, приведенные в данном руководстве.
- Проверьте двигатель на наличие загрязнений и трещин. С помощью щетки очистите двигатель от травы и листьев. При необходимости наденьте перчатки.
- Осмотрите триммерную головку и щиток режущего оборудования на наличие повреждений и трещин. Если триммерная головка и щиток режущего оборудования повреждены или имеют трещины, замените их.
- Проверьте затяжку всех гаек и винтов.
- Перед запуском изделия проверьте правильность установки и целостность всех кожухов, щитков, рукояток и режущего оборудования.

Аккумулятор



ПРЕДУПРЕЖДЕНИЕ: Перед эксплуатацией аккумулятора внимательно изучите раздел по технике безопасности. Прочтите и усвойте все сведения, приведенные в руководстве по эксплуатации аккумулятора и зарядного устройства.

Храните аккумулятор и зарядное устройство при допустимой температуре окружающей среды.

	Температура окружающей среды
Эксплуатация изделия	-5–40 °C / 23–104 °F
Зарядка аккумулятора	5–40 °C / 41–104 °F

Состояние аккумулятора

На дисплее отображается состояние заряда и информация о проблемах с аккумулятором при их наличии.

(Рис. 41)

Светодиодный индикатор	Состояние аккумулятора (состояние заряда)	
	BLI10, BLI20	40-B70, 40-B140
Горят 4 светодиодных индикатора	Неприменимо	Аккумулятор заряжен на 76–100%.
Горят 3 светодиодных индикатора	Аккумулятор заряжен на 76–100%.	Аккумулятор заряжен на 51–75%.
Горят 2 светодиодных индикатора	Аккумулятор заряжен на 51–75%.	Аккумулятор заряжен на 26–50%.

Светодиодный индикатор	Состояние аккумулятора (состояние заряда)	
	BLi10, BLi20	40-B70, 40-B140
Горит 1 светодиодный индикатор	Аккумулятор заряжен на 26–50%.	Аккумулятор заряжен на 6–25%.
Мигает 1 светодиодный индикатор	Аккумулятор заряжен на 0–25%.	Аккумулятор заряжен на 0–5%.

Зарядка аккумулятора

Зарядите аккумулятор, если он используется в первый раз. Уровень заряда нового аккумулятора составляет 30%.



ВНИМАНИЕ: Подключайте зарядное устройство только к сети питания с напряжением и частотой, указанными на паспортной табличке устройства.

Аккумулятор не будет заряжаться, если его температура превышает 50 °C / 122 °F.

1. Подсоедините шнур питания к зарядному устройству.
2. Подключите зарядное устройство к заземленной сетевой розетке. Светодиодный индикатор зарядки мигает один раз. (Рис. 42)
3. Подключите аккумулятор к зарядному устройству. Загорается светодиодный индикатор зарядки. Длительность зарядки аккумулятора не должна превышать 24 часа. (Рис. 43)
4. Нажмите кнопку индикатора аккумулятора. Если все светодиодные индикаторы загорятся, аккумулятор полностью заряжен.
5. Чтобы отсоединить зарядное устройство от розетки, потяните за вилку питания. Не тяните за шнур питания.
6. Извлеките аккумулятор из зарядного устройства.

Подключение аккумулятора к изделию



ПРЕДУПРЕЖДЕНИЕ: Используйте с данным агрегатом только оригинальный аккумулятор Husqvarna.

1. Полностью зарядите аккумулятор.
2. Вставьте аккумулятор в держатель аккумулятора на изделии. При фиксации аккумулятора на месте слышится щелчок. (Рис. 44)



ВНИМАНИЕ: Если аккумулятор не вставляется в держатель без усилий, аккумулятор установлен

неправильно. Это может привести к повреждению агрегата.

Запуск агрегата

1. Нажмите и удерживайте нажатой кнопку запуска/остановка, пока не загорится зеленый светодиодный индикатор. (Рис. 45)
2. Нажмите на стопор переключателя и на переключатель. Режущее оборудование начнет вращаться.

Регулировка петельной рукоятки и телескопической штанги

1. Ослабьте фиксатор и установите петельную рукоятку в требуемое положение. (Рис. 46)
2. Закройте фиксатор.
3. Ослабьте рычаг на штанге. (Рис. 47)
4. Установите штангу на необходимую длину. Убедитесь, что виден треугольник на штанге. (Рис. 48)
5. Закройте рычаг и затяните винт.

Примечание: Не закрепляйте петельную рукоятку на предупреждающих табличках на штанге.

Использование функции SavE

Изделие оснащено функцией экономии энергии SavE.

Примечание: Функция SavE не снижает режущую мощность инструмента.

1. Нажмите кнопку SavE на клавиатуре.
2. Должен обязательно загореться зеленый светодиод.
3. Чтобы отключить эту функцию, повторно нажмите кнопку SavE. Зеленый светодиод погаснет. (Рис. 49)

Функция автоматической остановки

Изделие оснащено функцией остановки, которая обеспечивает остановку изделия, когда оно не используется. Зеленый светодиодный индикатор

запуска/останова гаснет, и изделие останавливается через 180 секунд.

Эксплуатация изделия

Кошение травы

1. При кошении травы держите пластиковые ножи или триммерный корд параллельно земле. (Рис. 50)
2. Не прижимайте Tri-Cut или триммерную головку к земле. Это может привести к повреждению изделия.

Примечание: Низкая температура окружающей среды, близкая к 0 °С, может привести к поломке ножа или повреждению режущего корда.

3. При кошении травы перемещайте изделие из стороны в сторону. (Рис. 51)

Примечание: Не используйте изделие с поврежденным режущим оборудованием. Поврежденное режущее оборудование может привести к разбалансировке и повреждению изделия.

Уборка травы

Воздушный поток от вращающихся пластиковых ножей или триммерного корда можно использовать для уборки скошенной травы.

1. Держите триммерную головку вместе с пластиковыми ножами или триммерным кордом параллельно земле, не касаясь ее.
2. Включите полные обороты.

3. Перемещайте режущее оборудование из стороны в сторону, чтобы убрать траву.



ПРЕДУПРЕЖДЕНИЕ: Во избежание разбалансировки и вибраций на ручках каждый раз при установке новых пластиковых ножей или триммерного корда очищайте щиток режущего оборудования. Кроме того, проверяйте другие детали режущего оборудования и при необходимости очищайте их.

Кошение вблизи объектов

1. Опустите ограничитель для защиты растений. (Рис. 52)
2. Во избежание повреждения объектов используйте ограничитель для защиты растений. (Рис. 53)

Остановка изделия

1. Отпустите переключатель и стопор переключателя.
2. Нажмите и удерживайте нажатой кнопку запуска/остановки, пока зеленый светодиодный индикатор не погаснет.
3. Нажмите кнопки извлечения аккумулятора и снимите аккумулятор с изделия. (Рис. 54)

Замена пластиковых ножей или триммерного корда

См. последние страницы данного руководства по эксплуатации.

Техническое обслуживание

Введение



ПРЕДУПРЕЖДЕНИЕ: Перед техническим обслуживанием изделия внимательно изучите раздел техники безопасности.

График технического обслуживания



ПРЕДУПРЕЖДЕНИЕ: Перед проведением технического обслуживания извлеките аккумулятор.

Ниже приведен перечень обязательных работ по техническому обслуживанию изделия. Дополнительную информацию см. в разделе *Обзор изделия на стр. 361*.

Техническое обслуживание	Еже-дневно	Ежене-дельно	Ежеме-сячно
Очистите внешние детали изделия сухой тряпкой. Не используйте воду.	X		

Техническое обслуживание	Еже-дневно	Еже-дельно	Ежеме-сячно
Проверьте исправность и отсутствие повреждений кнопки запуска и остановки.	X		
Убедитесь, что курок и предохранитель нажатия курка работают в соответствии с требованиями безопасности.	X		
Убедитесь, что ручки сухие и чистые.	X		
Проверьте кожух режущего оборудования на наличие повреждений. Если щиток режущего оборудования поврежден, замените его.	X		
Убедитесь, что ручка или рукоятка не повреждены и установлены надлежащим образом.	X		
Проверьте механизм блокировки телескопической штанги. См. раздел <i>Про-верка механизма блокировки телескопической штанги на стр. 374.</i>	X		
Проверьте исправность и отсутствие повреждений зарядного устройства для аккумулятора.	X		
Проверьте аккумулятор на наличие повреждений.	X		
Убедитесь, что аккумулятор заряжен.	X		
Проверьте зарядное устройство на наличие повреждений.	X		
Проверьте затяжку внешних винтов и гаек.		X	
Проверьте работу кнопок извлечения аккумулятора и надежность фиксации аккумулятора.		X	
Проверьте наличие смазки в катушке триммерной головки.		X	
Очистите и проверьте соединения между аккумулятором и изделием.			X
Очистите и проверьте соединение между аккумулятором и зарядным ус-тройством.			X

Проверка аккумулятора и зарядного устройства

1. Проверьте аккумулятор на наличие повреждений, например, трещин.
2. Проверьте зарядное устройство на наличие повреждений, например, трещин.
3. Проверьте соединительный шнур зарядного устройства на наличие повреждений или трещин.

Очистка изделия, аккумулятора и зарядного устройства

1. После использования очистите изделие сухой тканью.
2. Очистите аккумулятор и зарядное устройство сухой тканью. Направляющие аккумулятора должны быть очищены от грязи.
3. Перед установкой аккумулятора в зарядное устройство или изделие убедитесь, что клеммы аккумулятора и зарядного устройства не загрязнены.

Проверка и замена Tri-Cut

1. Проверьте Tri-Cut на наличие повреждений и трещин.
2. Снимите Tri-Cut. См. раздел *"Снятие Tri-Cut" на последней странице руководства по эксплуатации.*
3. Установите Tri-Cut. См. раздел *Замена режущего оборудования на стр. 370.*

Проверка механизма блокировки телескопической штанги

1. Проверьте механизм блокировки телескопической штанги.
2. Отрегулируйте натяжку. (Рис. 55)

Поиск и устранение неисправностей

Кнопочная панель

Светодиодный экран	Возможные неисправности	Возможные решения
Мигает светодиодный индикатор ошибки.	Перегрузка	Режущее оборудование не может свободно перемещаться. Освободите режущее оборудование.
	Отклонение температуры	Дайте изделию остыть.
Изделие не запускается.	Одновременно нажмите переключатель и кнопку запуска.	Отпустите переключатель и оставьте изделие.
Светодиодный индикатор ошибки загорается красным светом.	Необходимо выполнить техническое обслуживание изделия.	Обратитесь к своему дилеру по обслуживанию.

Аккумулятор

Светодиодный дисплей	Возможные неисправности	Возможные действия
Мигает зеленый светодиодный индикатор.	Аккумулятор разряжен.	Зарядите аккумулятор.
Мигает светодиодный индикатор ошибки.	Отклонение температуры.	Используйте аккумулятор при температуре в диапазоне от -10 °C (14 °F) до 40 °C (104 °F).
	Слишком высокое напряжение.	Убедитесь, что напряжение в сети соответствует значению, указанному на паспортной табличке изделия. Извлеките аккумулятор из зарядного устройства.
Горит светодиодный индикатор ошибки.	Слишком большая разница в напряжении ячеек (1 В).	Обратитесь к своему дилеру по обслуживанию.

Зарядное устройство

Проблема	Возможные неисправности	Возможное решение
Светодиодный индикатор зарядки горит красным.	Постоянная ошибка зарядного устройства.	Обратитесь в дилерский центр.
Светодиодный индикатор зарядки мигает зеленым.	Отклонение температуры: аккумулятор слишком холодный или слишком горячий для использования или зарядки.	Дайте аккумулятору остыть или прогрейте его. Когда температура аккумулятора будет соответствовать норме, его можно снова использовать или заряжать. Используйте зарядное устройство при температуре окружающей среды в диапазоне от 5 до 40 °C.

Проблема	Возможные неисправности	Возможное решение
Светодиодный индикатор зарядки мигает красным.	Неисправность аккумулятора.	Обратитесь в дилерский центр.

Транспортировка, хранение и утилизация

Транспортировка и хранение

- Входящие в комплект литий-ионные аккумуляторы соответствуют требованиям законодательства в отношении опасных товаров.
- Соблюдайте особые требования к упаковке и маркировке для коммерческих перевозок, в том числе третьими лицами и экспедиторами.
- Перед отправкой/транспортировкой изделия обратитесь к человеку, прошедшему специальную подготовку по работе с опасными материалами. Соблюдайте все применимые государственные нормативы.
- Перед помещением аккумулятора в упаковку заклейте открытые контакты изолентой. Плотно упакуйте аккумулятор для предотвращения его перемещения.
- Перед хранением или транспортировкой аккумулятор необходимо извлечь из изделия.
- Храните аккумулятор и зарядное устройство в сухом месте, не подверженном воздействию влаги и низких температур.
- Не допускается хранение аккумулятора в местах, где существует риск возникновения статического электричества. Запрещается хранить аккумулятор в металлической коробке.
- Храните аккумулятор при температуре в диапазоне 5–25 °C (41–77 °F), вдали от прямых солнечных лучей.
- Храните зарядное устройство для аккумулятора при температуре в диапазоне 5–45 °C (41–113 °F), вдали от прямых солнечных лучей.
- Используйте зарядное устройство только при температуре окружающей среды в диапазоне 5–40 °C (41–104 °F).

- Перед помещением аккумулятора на длительное хранение зарядите его на 30–50%.
- Храните зарядное устройство в сухом закрытом помещении.
- Храните аккумулятор отдельно от зарядного устройства. Не позволяйте притрагиваться к оборудованию детям и другим лицам, не имеющим соответствующего разрешения. Храните оборудование в месте, которое можно запереть.
- Перед помещением изделия на длительное хранение очистите его от загрязнений и проведите полное обслуживание.
- Во избежание травм или повреждений во время транспортировки и хранения изделия используйте транспортировочный щиток.
- Надежно закрепляйте изделие на время транспортировки.

Утилизация аккумулятора, зарядного устройства и изделия

Символы на изделии или упаковке изделия указывают на то, что изделие запрещается утилизировать как бытовые отходы. Изделие необходимо передать в пункт переработки электрического и электронного оборудования. Это поможет предотвратить отрицательное воздействие на окружающую среду и здоровье людей.

Свяжитесь с местными органами власти, службой по утилизации бытовых отходов или дилером для получения дополнительной информации о том, как направить изделие на вторичную переработку.

Технические данные

Технические данные

	215iL-TC
Электродвигатель	
Тип двигателя	BLDC (бесщеточный, постоянного тока)
Частота вращения выходного вала, об/мин	6800

	215iL-TC
Ширина кошения, мм	255
Вес	
Вес без аккумулятора, кг	2,9
Излучение шума ⁶⁴	
Уровень мощности звука, измеренный, дБ(А)	90,8
Уровень мощности звука, гарантированный, L _{WA} , дБ(А)	93
Уровни шума ⁶⁵	
Эквивалентный уровень звукового давления, воздействующего на органы слуха оператора, измеренный согласно IEC 62841-4-4, дБ(А)	81,3
Уровни вибрации ⁶⁶	
Уровни вибрации на рукоятках, измеренные согласно IEC 62841-4-4, м/с ²	3,0 / 2,7
С триммерной головкой (оригинальной), спереди/сзади.	

Рекомендованные аккумуляторы для изделия

Аккумулятор	BLi10		BLi20		40-B70	40-B140
Тип	Литий-ионный		Литий-ионный		Литий-ионный	Литий-ионный
Емкость аккумулятора, А·ч	См. паспортную табличку аккумулятора		См. паспортную табличку аккумулятора		См. паспортную табличку аккумулятора	См. паспортную табличку аккумулятора
Номинальное напряжение, В	36	36,5	36	36,5	36	36
Масса, фунт / кг	0,7	0,7	1,2	1,2	0,8	1,25

Рекомендованные зарядные устройства для изделия

Зарядное устройство	QC80	40-C80
Напряжение сети, В	100-240	100-240
Частота, Гц	50-60	50-60

⁶⁴ Излучение шума в окружающую среду измеряется как мощность звука (L_{WA}) согласно директиве ЕС 2000/14/ЕС. Разница между гарантированной и измеренной мощностью звука заключается в том, что гарантированная мощность звука включает результаты измерений как диапазон и их отклонение для устройств одной и той же модели согласно директиве 2000/14/ЕС.

⁶⁵ Указанные данные об эквивалентном уровне звукового давления для изделия имеют типичный статистический разброс (стандартное отклонение) 3 дБ(А).

⁶⁶ Указанные данные об уровне вибрации имеют типичный статистический разброс (стандартное отклонение) 1,5 м/с².

Зарядное устройство	QC80	40-C80
Мощность, Вт	100	72
Выходное напряжение, В пост. тока / ампер (А)	36/2	43 / 1,6

Принадлежности

Одобрённые принадлежности

Одобрённые принадлежности	Тип	Кожух режущего оборудования, артикул
Триммерная головка	R25B (корд Ø 2 мм)	529 96 69-01
Триммерная головка	Tri-Cut B (255 мм)	529 96 69-01

Декларация о соответствии

Декларация соответствия ЕС

Мы, компания **Husqvarna AB**, SE-561 82
Husqvarna, Швеция, тел.: +46-36-146500, с полной
ответственностью заявляем, что изделие:

Описание	Аккумуляторный триммер для травы
Марка	Husqvarna
Тип / Модель	215iL-TC
Идентификация	Серийные номера начиная с 2025 года и далее

полностью соответствует следующим директивам и
нормативам ЕС:

Директива / Норматив	Описание
2006/42/ЕС	"О механическом оборудовании"
2014/30/EU	"Об электромагнитной совместимости"
2000/14/ЕС	"Об излучении шума в окружающую среду"
2011/65/EU	"Об ограничении использования определенных опасных веществ в электрическом и электронном оборудовании"

а также требованиям следующих стандартов
и/или технических регламентов: EN
62841-1:2015+A11:2022, IEC 62841-4-4:2020, EN
ISO 12100:2010, EN IEC 63000:2018, EN IEC
55014-1:2021; EN IEC 55014-2:2021.

Уполномоченная организация: 0036 TÜV SÜD
Industrie Service GmbH, Westendstraße199,80686
München, Germany подтвердила соответствие
Директиве Совета ЕС 2000/14/ЕС, процедура оценки
соответствия: Приложение VI.

Информацию по излучению шума см. в разделе
Технические данные на стр. 376.

Husqvarna, 2025-01-10



Клаес Лосдал (Claes Losdal), директор отдела
разработок, Husqvarna AB

Ответственный за техническую документацию



Obsah

Úvod.....	380	Preprava, skladovanie a likvidácia.....	392
Bezpečnosť.....	381	Technické údaje.....	393
Montáž.....	387	Príslušenstvo.....	394
Prevádzka.....	388	Vyhlasenie o zhode.....	395
Údržba.....	390	Príloha	478
Riešenie problémov.....	391		

Úvod

Popis výrobku

Husqvarna 215iL-TC je akumulátorový vyžinač na trávu s elektrickým motorom.

Neustále pracujeme na tom, aby sme zabezpečili vyššiu bezpečnosť a efektívnosť počas prevádzky. Ak potrebujete ďalšie informácie, obráťte sa na servisného predajcu.

Plánované použitie

Výrobok sa používa s nekovovými plastovými nožmi. Výrobok nepoužívajte na iné práce ako na kosenie buriny, trávy alebo podobnej jemnej vegetácie.

Prehľad výrobku

(Obr. 1)

1. Vyžínacia hlava Tri-Cut
2. Kryt rezacieho nadstavca
3. Hriadeľ
4. Nastavenie hriadeľa (teleskopické)
5. Oblúková rukoväť
6. Klávesnica
7. Výstražný indikátor klávesnice
8. Štartovacie/vypínacie tlačidlo
9. Tlačidlo Save
10. Vypínač
11. Blokovanie páčky vypínača
12. Indikátor zapnutia a upozornenia
13. Spojka
14. Nabíjačka batérie 40-C80
15. Ramienko na ochranu rastlín
16. Výstražný indikátor batérie
17. Stav akumulátora
18. Tlačidlo indikátora stavu akumulátora
19. Tlačidlá uvoľnenia akumulátora
20. Akumulátor
21. Kombinovaný nástroj
22. Hnací disk
23. Návod na obsluhu

Poznámka: Používanie tohto výrobku môže byť obmedzené vnútroštátnymi predpismi.

S výrobkom používajte iba príslušenstvo schválené výrobcom. Pozrite si časť *Príslušenstvo na strane 394*.

Symbole na výrobku

- (Obr. 2) UPOZORNENIE: Tento výrobok môže byť nebezpečný a spôsobiť vážne poranenie alebo usmrtenie obsluhujúceho pracovníka alebo iných osôb. Postupujte opatrne a používajte výrobok správnym spôsobom.
- (Obr. 3) Skôr než začnete produkt používať, pozorne si prečítajte návod na obsluhu a dôsledne sa oboznámte s pokynmi.
- (Obr. 4) Nasadte si ochranu očí a uší.
- (Obr. 5) Výrobok nevystavujte dažďu.
- (Obr. 6) Označenie emisií hluku do životného prostredia podľa smerníc a nariadení EÚ a Spojeného kráľovstva (vrátane legislatívy Nového Južného Walesu). Údaje o emisií hluku možno nájsť na štítku stroja a v kapitole s technickými údajmi. Platí len vtedy, ak je výrobok vybavený žacím lankom.
- (Obr. 7) Dávajte si pozor na odhodené predmety.
- (Obr. 8) Pred vykonávaním údržby odpojte batériu.

(Obr. 9) Výrobok alebo jeho obal nepredstavuje komunálny odpad. Recykľujte ho v recyklačnej stanici určenej pre elektrické a elektronické zariadenia.

(Obr. 10) Tento výrobok je v súlade s príslušnými smernicami EÚ.

(Obr. 16) Vzdialenosť medzi strojom a okolostojacimi osobami musí byť aspoň 15 m (50 stôp).

(Obr. 17) Nepoužívajte kovové čepele.

rrrtbxxxx

Výkonový štítok alebo laserová tlač zobrazuje výrobné číslo. **yyyy** je rok výroby a **ww** je týždeň výroby.

(Obr. 11) Tento výrobok je v súlade s príslušnými právnymi predpismi Spojeného kráľovstva.

(Obr. 12) Jednosmerný prúd.

Symbole na batérii a/alebo na nabíjačke batérií

(Obr. 18) Tento výrobok recykľujte v recyklačnej stanici určenej pre elektrické a elektronické zariadenia. (Uplatňuje sa iba na Európu)

(Obr. 13) Transformátor odolný voči poruchám.

(Obr. 14) Nabíjačku batérie používajte a skladujte len v interiéri.

(Obr. 15) Dvojité izolácia.

Poškodenie výrobku

Nie sme zodpovední za škody na našom výrobku v prípade:

- nesprávne vykonanej opravy výrobku,
- opravy výrobku, pri ktorej neboli použité diely od výrobcu alebo diely schválené výrobcom,
- používania príslušenstva od iného výrobcu alebo príslušenstva, ktoré nie je schválené výrobcom,
- opravy výrobku, ktoré neboli vykonané v schválenom servisnom stredisku alebo schválenými kompetentnými osobami.

Bezpečnosť

Bezpečnostné definície

Výstrahy, upozornenia a poznámky slúžia na zdôraznenie mimoriadne dôležitých častí návodu.



VÝSTRAHA: Používa sa, ak pre obsluhu alebo osoby v okolí existuje nebezpečenstvo poranenia alebo smrti v prípade nedodržania pokynov v návode.



VAROVANIE: Používa sa, ak hrozí nebezpečenstvo poškodenia produktu, iných materiálov alebo okolitej oblasti v prípade nedodržania pokynov v návode.

Poznámka: Používa sa na poskytnutie informácií nad rámec nevyhnutných informácií v danej situácii.

Všeobecné bezpečnostné upozornenia k stroju



VÝSTRAHA: Prečítajte si všetky bezpečnostné upozornenia a pokyny a pozrite si ilustrácie a uvedené špecifikácie tohto stroja. Nedodržanie všetkých nižšie uvedených pokynov môže spôsobiť zásah elektrickým prúdom, požiar alebo ťažké zranenia.

Uchovajte si všetky upozornenia a pokyny pre budúce použitie.

Poznámka: Výraz „stroj“ použitý v upozorneniach označuje stroj napájaný z elektrickej siete (s káblom) alebo z akumulátora (bez kábla).

Bezpečnosť na pracovisku

- **Pracovisko udržiavajte v čistote a dobre osvetlené.** Neporiadok aj tmavé osvetlenie vedú k nehodám.
- **So strojom nepracujte v prostredí, kde sa nachádzajú horľavé tekutiny, plyny alebo prach.**

Stroje spôsobujú iskrenie, ktorým sa môže vznietiť prach alebo výpary.

- **Nedovoľte, aby sa v blízkosti práce so strojom zdržiavali deti alebo iné osoby.** Rušivé podnety môžu spôsobiť stratu kontroly.

Elektrická bezpečnosť

- **Zástrčky stroja musia byť vhodné na pripojenie do zásuvky.** Nikdy a žiadnym spôsobom nemodifikujte elektrickú zástrčku. Pri uzemnených strojoch nepoužívajte žiadne adaptérové zástrčky. Nemodifikované zástrčky a vhodné zásuvky znižujú riziko úrazu elektrickým prúdom.
- **Zabráňte telesnému kontaktu s uzemnenými plochami, napríklad s potrubím, radiátormi, sporákmi a chladničkami.** Ak je vaše telo uzemnené, riziko úrazu elektrickým prúdom je zvýšené.
- **Stroje nevystavujte pôsobeniu dažďa ani vlhkosti.** Vniknutie vody do stroja zvyšuje riziko zásahu elektrickým prúdom.
- **Nepoužívajte kábel nesprávnym spôsobom.** Kábel nikdy nepoužívajte na prenášanie, ťhanie ani odpájanie stroja. Kábel chráňte pred teplom, olejom, ostrými hranami alebo pohyblivými časťami. Poškodené alebo zamotané káble zvyšujú riziko úrazu elektrickým prúdom.
- **Pokiaľ pracujete so strojom vonku, používajte len taký predizolovaný kábel, ktorý je určený pre exteriér.** Používanie kábla určeného do vonkajšieho prostredia znižuje riziko zásahu elektrickým prúdom.
- **Pokiaľ sa nemôžete vyhnúť prevádzke stroja vo vlhkom prostredí, použite zásuvku s prúdovým chráničom.** Použitie prúdového chrániča znižuje riziko úrazu elektrickým prúdom.

Osobná bezpečnosť

- **Pracujte obozretné, dávajte pozor a pri používaní stroja postupujte rozumne.** Stroj nepoužívajte, ak ste unavení alebo pod vplyvom drog, alkoholu alebo liekov. Chvilka nepozornosti pri používaní stroja môže viesť k vážnemu zraneniu.
- **Používajte osobné ochranné pomôcky.** Vždy noste ochranné prostriedky očí. Používanie osobných ochranných prostriedkov, ako je maska proti prachu, protišmyková bezpečnosťná obuv, ochranná prilba alebo ochrana sluchu podľa druhu a spôsobu použitia elektrického náradia, znižujú riziko poranenia.
- **Zabráňte neúmyselnému spusteniu zariadenia.** Pred pripojením k elektrickej sieti alebo akumulátoru, zdvihnutím alebo prenášaním stroja overte, či je vypínač vo vypnutej polohe. Pokiaľ máte pri prenášaní stroja prst na spínači alebo pokiaľ sú stroje v zapnutom stave pripojené na zdroj prúdu, môže dôjsť k úrazom.
- **Predtým, ako stroj zapnete, odstráňte z neho nastavovací kľúč alebo kľúč na matice.** Nástroje alebo kľúče, ktoré sa nachádzajú v rotujúcich častiach stroja, môžu spôsobiť úraz.

- **Nenaťahujte sa príliš ďaleko.** Vždy si udržiavajte rovnováhu a správny postoj. Tým môžete stroj v neočakávaných situáciách lepšie kontrolovať.
- **Vhodne sa oblečte.** Nenoste voľné oblečenie alebo šperky. Udržujte svoje vlasy a oblečenie mimo dosahu pohyblivých častí. Voľné oblečenie, šperky alebo dlhé vlasy sa môžu zachytiť v pohyblivých častiach.
- **Ak je možné pripojiť zariadenia na odsávanie a zber prachu, overte, či sú tieto zariadenia pripojené a či sa správne používajú.** Používanie zberača prachu môže obmedziť nebezpečenstvá týkajúce sa prachu.
- **Aj keď ste po viacnásobnom používaní so strojom oboznámení, nenechajte sa ukolísť falošným pocitom bezpečia a neprestaňte dbať na bezpečnostné pravidlá pre stroj.** Nepozorné konanie môže v zlomku sekundy viesť k ťažkým poraneniam.

Používanie a starostlivosť o stroj

- **Stroj nepreťažujte.** Pre svoju prácu používajte vždy len na to určený stroj. S vhodným strojom sa vám v danom rozsahu výkonu bude pracovať lepšie a bezpečnejšie.
- **Nepoužívajte stroj, ktorý má pokazený spínač.** Stroj, ktorý sa nedá zapnúť a vypnúť, je nebezpečný a musí sa opraviť.
- **Pred akýmkoľvek nastavením, výmenou príslušenstva alebo skladovaním stroja odpojte zástrčku od zdroja napájania alebo vyberte akumulátor zo stroja, ak je vyberateľný.** Toto bezpečnostné opatrenie zabráni neúmyselnému štartu stroja.
- **Nepoužívaný stroj uskladnite mimo dosahu detí.** Nedovoľte, aby stroj používali osoby, ktoré s ním nie sú oboznámené alebo si neprečítali tieto pokyny. Stroje sú nebezpečné, pokiaľ ich používajú neskúsené osoby.
- **Vykonávajte údržbu strojov a príslušenstva.** Kontrolujte, či sa pohyblivé diely voľne pohybujú a nezasekávajú sa, či nie sú niektoré diely zlomené alebo tak poškodené, že by mohli ovplyvniť funkciu stroja. Poškodené diely stroja nechajte pred použitím opraviť. Mnohé úrazy sú spôsobené nesprávnou údržbou strojov.
- **Rezacie nástroje udržiavajte nabrušené a v čistote.** Správne udržiavané rezacie stroje s ostrými hranami sú menej náchylné na uviaznutie a ľahšie sa ovládajú.
- **Stroj, príslušenstvo, ostrie a pod. používajte v súlade s týmito pokynmi, pričom vezmite do úvahy pracovné podmienky a typ vykonávanej práce.** Použitie stroja na iné ako určené účely môže viesť k nebezpečným situáciám.
- **Rukováti a úchytné povrchy udržiavajte suché, čisté a neznečistené olejom a mazivom.** Klzké rukoväte a plochy rukoväte znemožňujú bezpečnú obsluhu a kontrolu elektrického náradia v nepredvídateľných situáciách.

Používanie akumulátorového stroja a starostlivosť oň

- **Nabíjajte iba pomocou nabíjačky špecifikovanej výrobcom.** Nabíjačka, ktorá je vhodná pre jeden typ akumulátora, môže pri použití s iným akumulátorom predstavovať nebezpečenstvo požiaru.
- **Stroje používajte iba s presne určenými akumulátormi.** Pri použití akéhokoľvek iného akumulátora môže hroziť nebezpečenstvo poranenia a požiaru.
- **Keď sa akumulátor nepoužíva, udržiajte ho mimo dosahu kovových predmetov, ako sú spony na papier, mince, kľúče, klince, skrutky alebo iné drobné kovové predmety, ktoré môžu vytvoriť spoj medzi svorkami.** Skratovanie svoriek akumulátora môže spôsobiť popáleniny alebo požiar.
- **Pri neopatrnom zaobchádzaní môže z akumulátora uniknúť tekutina. Nedotýkajte sa jej.** V prípade náhodného kontaktu umyte postihnuté miesto vodou. Ak sa dostane kvapalina z akumulátora do očí, vyhľadajte aj lekársku pomoc. Kvapalina vystrekujúca z akumulátora môže spôsobiť podráždenie alebo popáleniny.
- **Nepoužívajte poškodený alebo upravený akumulátor alebo stroj.** Poškodené alebo upravené akumulátory môžu mať za následok nepredvídateľné fungovanie a spôsobiť požiar, výbuch alebo predstavovať nebezpečenstvo poranenia.
- **Nevystavujte akumulátor ani stroj ohňu ani príliš vysokým teplotám.** Pri vystavení ohňu alebo teplote nad 130 °C (265 °F) môže dôjsť k výbuchu.
- **Dodržiavajte všetky pokyny na nabíjanie a akumulátor ani stroj nenabíjajte mimo teplotného rozsahu uvedeného v pokynoch.** Pri nesprávnom nabíjaní alebo pri vonkajších teplotách mimo uvedeného rozsahu hrozi poškodenie akumulátora a zvyšuje sa nebezpečenstvo požiaru.

Služba

- **Stroj zverte do opravy iba kvalifikovanému odborníkovi a používajte iba originálne náhradné diely.** Iba tak je možné zaistiť zachovanie bezpečnosti stroja.
- **Poškodené akumulátory nikdy neservisujte sami.** Servis akumulátora smie vykonávať len výrobca alebo autorizovaný servis.

Bezpečnostné upozornenia vzťahujúce sa na výžinač na trávnik

- **Zariadenie nepoužívajte počas nepriaznivých poveternostných podmienok, najmä ak hrozí riziko bleskov.** Zníži sa tým riziko zasiahnutia bleskom.
- **Skontrolujte, či sa v priestore, kde sa má zariadenie používať, nenachádzajú voľne žijúce živočíchy.** Počas prevádzky zariadenia môže dôjsť k zraneniu voľne žijúcich živočíchov.
- **Pozorne skontrolujte priestor, v ktorom sa bude zariadenie používať, a odstráňte všetky kamene, konáre, káble, kosti a iné cudzie predmety.**

Vymrštené predmety môžu spôsobiť poranenie osôb.

- **Pred používaním zariadenia vždy vizuálne skontrolujte, či nie sú rezný nástroj alebo nôž a rezný nástroj alebo zostava noža poškodené.** Poškodené diely zvyšujú riziko poranenia.
- **Pri výmene príslušenstva sa riaďte pokynmi.** Nesprávne utiahnuté upevňovacie matice alebo skrutky noža môžu poškodiť nôž alebo spôsobiť jeho uvoľnenie.
- **Noste ochranu očí, uší, hlavy a rúk.** Vhodné ochranné pomôcky obmedzia zranenia spôsobené lietajúcimi úlomkami alebo náhodným kontaktom s rezacími zubmi alebo lankami.
- **Počas prevádzky stroja vždy noste protišmykovú ochrannú obuv. Ak ste bosí alebo máte obuté otvorené sandále, toto zariadenie nepoužívajte.** Zníži sa tým riziko poranenia chodidiel kontaktom s pohybujúcimi sa rezacími zubmi alebo lankami.
- **Pri práci so zariadením vždy noste dlhé nohavice.** Odhalená pokožka zvyšuje pravdepodobnosť poranenia vymrštenými predmetmi.
- **Počas používania zariadenia nedovoľte okolostojacim približovať sa.** Vymrštené úlomky môžu mať za následok vážne zranenie.
- **Pri používaní držte zariadenie vždy oboma rukami.** Držaním zariadenia oboma rukami sa vyhnete strate kontroly nad ním.
- **Zariadenie držte iba za izolovanú časť určenú na držanie, pretože žacie lanko alebo nôž sa môžu dostať do kontaktu so skrytými káblami.** Žacie lanko alebo nože, ktorý príde do styku s vodičom pod napätím, môže viesť pod napätie exponované kovové časti zariadenia a môže používateľovi spôsobiť úraz elektrickým prúdom.
- **Vždy udržiajte správny postoj a zariadenie obsluhujte iba vtedy, keď stojíte na zemi.** Klzké alebo nestabilné povrchy môžu spôsobiť stratu rovnováhy alebo kontroly nad zariadením.
- **Zariadenie nepoužívajte na nadmerne strmých svahoch.** Znižuje sa tým riziko straty kontroly, pošmyknutia, spadnutia a následného zranenia.
- **Pri práci na svahoch vždy dbajte na to, aby ste mali pevné postavenie, vždy pracujte naprieč svahom, nikdy smerom nahor alebo nadol a buďte mimoriadne opatrní pri zmene smeru.** Znižuje sa tým riziko straty kontroly, pošmyknutia, spadnutia a následného zranenia.
- **Keď je zariadenie v prevádzke, držte všetky časti tela mimo dosahu rezného nástroja, lanka alebo noža.** Pred spustením zariadenia sa uistite, že sa rezný nástroj, lanko alebo nôž ničoho nedotýkajú. Chvilka nepozornosti pri obsluhu zariadenia môže viesť k zraneniu vás alebo iných osôb.
- **Zariadenie nepoužívajte nad výškou pásu.** Pomôže to zabrániť neúmyselnému kontaktu rezného nástroja alebo noža a umožníže to lepšiu kontrolu nad zariadením v neočakávaných situáciách.

- **Pri rezaní kríkov a mladých stromov, ktoré sú napnuté, dávajte pozor na ich vymrštenie.** Keď sa uvoľní napnutie vo vláknoch dreva, kríky alebo mladé stromy môžu zasiahnuť používateľa a/alebo neovládateľne odhodiť zariadenie.
- **Mimoriadny pozor dávajte pri rezaní krovín a mladých stromov.** Pružný materiál môže nôž zachytiť a vymrštiť smerom k vám alebo spôsobiť stratu rovnováhy.
- **Udržujte zariadenie pod kontrolou a nedotýkajte sa rezných nástrojov, laniek a nožov ani iných nebezpečných pohyblivých častí, keď sú stále v pohybe.** Znižuje sa tým riziko poranenia pohyblivými časťami.
- **Zariadenie prenášajte vypnuté a mimo tela.** Správnu manipuláciu so zariadením sa zníži pravdepodobnosť náhodného kontaktu s pohyblivým sa rezným nástrojom, lankom alebo nožom.
- **Používajte iba náhradné rezné nástroje, lanká, rezné hlavy a nože špecifikované výrobcom.** Nesprávne náhradné diely môžu zvýšiť riziko poškodenia a poranenia.
- **Pri odstraňovaní zaseknutého materiálu alebo pri údržbe stroja skontrolujte, či je vypínač vypnutý a či je vybratý akumulátor.** Neočakávané uvedenie zariadenia do činnosti v priebehu odstraňovania zachyteného materiálu alebo vykonávania servisu môže spôsobiť vážne poranenie.

Skontrolujte pred naštartovaním

- Akumulátor vždy vyberte, aby nedošlo k náhodnému zapnutiu výrobku. Pred akoukoľvek údržbou zariadenia vždy vyberte akumulátor.
- Pred použitím výrobku a po akomkoľvek náraze skontrolujte známky opotrebovania alebo poškodenia a podľa potreby vykonajte opravu.
- Skontrolujte pracovnú oblasť. Odstráňte všetky voľné predmety, ako sú kamene, úlomky skla, kince, oceľové drôty, šnúry a pod., ktoré by mohli pri strihaní vyletúvať alebo sa namotať na rezáci nástroj alebo kryt rezacieho nástroja.
- Skontrolujte, či motor nie je znečistený a prasknutý. Očistite motor od trávy a listia pomocou kefy. V prípade potreby noste rukavice.
- Skontrolujte, či je výžinacia hlava úplne pripevnená k vyžínaču.
- Skontrolujte, či je výrobok v úplnom poriadku. Skontrolujte, či sú všetky matice a skrutky zatiahnuté.
- Skontrolujte či výžinacia hlava a kryt rezacieho nadstavca nie sú poškodené alebo prasknuté. Výžinaciu hlavu alebo kryt rezacieho nadstavca vymeňte, pokiaľ boli vystavené nárazom, alebo ak sú prasknuté. Vždy používajte správny odporúčaný ochranný kryt zodpovedajúci používanému rezaciemu nadstavcu. Pozri kapitolu Technické dáta.
- Používateľ výrobku musí zabezpečiť, aby sa počas práce nemohli žiadni ľudia ani zvieratá

priblížiť do vzdialenosti 15 metrov od výrobku. Pokiaľ v rovnakom priestore pracujú niekoľkí používatelia, bezpečná vzdialenosť medzi nimi musí byť minimálne 15 metrov.

- Pred použitím vykonajte celkovú kontrolu výrobku. Pozrite si plán údržby.
- Použitie môže byť regulované národnými alebo miestnymi predpismi. Dodržiavajte príslušné predpisy.

Vždy sa riadte zdravým rozumom

Nie je možné predvídať každú situáciu, ktorá môže nastať. Vždy konajte opatrne a riadte sa zdravým rozumom. Vyvarujte sa každej situácie, ktorá podľa vás presahuje vaše možnosti. Ak si ani po prečítaní týchto pokynov nie ste istý, ako so strojom zaobchádzať, obráťte sa na odborníka.



VÝSTRAHA: Nikdy nedovoľte deťom používať stroj alebo sa zdržiavať v jeho blízkosti. Keďže stroj sa ľahko štartuje, deti môžu byť schopné naštartovať ho, pokiaľ nie sú pod neustálym dohľadom. To môže znamenať riziko vážneho poranenia. Preto odpojte batériu, keď stroj nie je pod dohľadom.

Všeobecné bezpečnostné pokyny



VÝSTRAHA: Skôr než budete výrobok používať, prečítajte si nasledujúce výstrahy.

- Batériu vyberte, aby nedošlo k náhodnému zapnutiu výrobku.
- Tento výrobok môže byť nebezpečný, ak nie ste opatrní alebo ho používate nesprávne. Tento výrobok môže spôsobiť vážne poranenie alebo usmrtenie obsluhujúceho pracovníka alebo iných osôb.
- Výrobok nepoužívajte, ak sa zmenili jeho pôvodné technické špecifikácie. Nevymieňajte diely výrobku bez schválenia výrobcu. Používajte len diely schválené výrobcom. Nesprávna údržba môže mať za následok poranenie alebo smrť.
- Pred používaním výrobku skontrolujte. Pozrite si časti *Bezpečnostné zariadenia na výrobku na strane 385* a *Prehľad výrobku na strane 380*. Nepoužívajte výrobok, ktorý je poškodený alebo nefunguje správne. Vykonávajte bezpečnostné kontroly, údržby a dodržiavajte servisné pokyny uvedené v tomto návode.
- Deti musia byť pod dohľadom, aby sa zabezpečilo, že sa s výrobkom nehrajú. Nikdy nedovoľte deťom a iným osobám, ktoré nie sú vyškolené v používaní výrobku a/alebo batérie, používať alebo opravovať výrobok alebo batériu. Vek operátora môžu stanovovať miestne zákony.

- Výrobok skladujte v uzamknutom priestore mimo dosahu detí a neoprávnených osôb.
- Výrobok skladujte mimo dosahu detí.
- Za žiadnych okolností nemeňte pôvodnú konštrukciu výrobku bez schválenia od výrobcu. Vždy používajte originálne príslušenstvo. Nepovolené zmeny alebo príslušenstvo môžu viesť k vážnemu poraneniu alebo smrti obsluhy a ostatných osôb.
- Deklarovaná celková hodnota vibrácií bola meraná v súlade so štandardne používanou testovacou metódou, pričom tieto hodnoty môžu slúžiť na porovnanie jedného nástroja s iným.
- Deklarovanú celkovú hodnotu vibrácií možno použiť aj pri predbežnom vyhodnotení účinkov.
- Emisia vibrácií počas používania elektrického nástroja sa môže líšiť od deklarovanej celkovej hodnoty v závislosti od spôsobu, akým je elektrický nástroj použitý. Obsluha je povinná identifikovať a prijať opatrenia pre zaistenie vlastnej bezpečnosti, ktoré sú založené na odhade podmienok pri danom použití nástroja (prítom je potrebné vziať do úvahy všetky časti prevádzkového cyklu, ako napríklad čas, keď je nástroj vypnutý, čas, keď je nástroj vo voľnobehu a čas, keď je nástroj spustený).
- Používajte odev vyrobený z pevnej tkaniny. Vždy noste pevné, dlhé nohavice a dlhé rukávy. Nepoužívajte voľný odev, ktorý sa môže zachytiť v konároch a vetvách. Nepoužívajte šperky, krátke nohavice ani sandále. Nechoďte bosí. Vlasy si bezpečne uchyťte nad úrovňou ramien.
- Majte poruke vybavenie prvej pomoci.

(Obr. 23)

Bezpečnostné zariadenia na výrobku



VÝSTRAHA: Skôr než budete výrobok používať, prečítajte si nasledujúce výstrahy.

V tejto časti je opísané bezpečnostné vybavenie výrobku, jeho účel a postup, ako vykonávať kontroly a údržbu, aby bola zabezpečená jeho správna činnosť. Pozrite si pokyny v časti *Úvod na strane 380* kde nájdete informácie o umiestnení týchto častí na výrobku.

Ak údržba výrobku nebude vykonávaná správne, skráti sa tým jeho životnosť a zvýši sa riziko nehodovosti. Servis a/alebo opravy musia byť vykonané odborne. Ak potrebujete podrobnejšie informácie, obráťte sa na najbližší servis.



VÝSTRAHA: Nikdy nepoužívajte výrobok, ktorý má chybné bezpečnostné prvky. Bezpečnostné vybavenie výrobku sa musí kontrolovať a udržiavať tak, ako je to opísané v tejto časti. Ak výrobok neprejde niektorou z kontrol, obráťte sa na servisného zástupcu na účel opravy.



VAROVANIE: Všetky servisné a opravné práce na stroji si vyžadujú špeciálne školenie. Toto najmä platí o bezpečnostnom vybavení výrobku. Ak stroj neprejde niektorou z kontrol popísaných nižšie, doneste ho do servisnej dielne. Pri kúpe ktoréhokoľvek z našich výrobkov vám zaručujeme dostupnosť odborných opráv a servis. Ak maloobchodný predajca, ktorý vám predáva stroj nie je servisný zástupca, požiadajte ho o adresu najbližšej servisnej dielne.

Poznámka: Používanie môže byť regulované vnútroštátnymi alebo miestnymi právnymi predpismi. Dodržiavajte príslušné predpisy.

Osobné ochranné prostriedky



VÝSTRAHA: Skôr než budete výrobok používať, prečítajte si nasledujúce výstrahy.

- Pri používaní produktu vždy používajte schválené osobné ochranné prostriedky. Osobné ochranné prostriedky nedokážu úplne vylúčiť riziko, ale môžu znížiť vážnosť zranenia v prípade nehody. Váš predajca vám pomôže pri výbere správnych prostriedkov.
 - Používajte schválené chrániče sluchu.
- (Obr. 19)
- Používajte schválené chrániče očí. Ak používate štít, musíte tiež používať schválené ochranné okuliare. Schválené ochranné okuliare musia zodpovedať norme ANSI Z87.1 platnej v USA alebo norme EN 166 platnej v krajinách EÚ.
- (Obr. 20)
- Keď je to potrebné, používajte rukavice, ako napríklad pri montáži, kontrole alebo čistení rezného zariadenia.
- (Obr. 21)
- Používajte ochrannú obuv s oceľovou špičkou a protišmykovými podrážkami.
- (Obr. 22)

Kontrola klávesnice

1. Stlačte a držte štartovacie/vypínacie tlačidlo (A). (Obr. 24)
 - a) Produkt je zapnutý, keď svieti dióda LED (B).
 - b) Produkt je vypnutý, keď nesvieti dióda LED (B).
2. Ak svieti alebo bliká indikátor (C), pozrite si časť *Klávesnica na strane 391*.

Kontrola poistky páčky vypínača

Poistka páčky vypínača zabraňuje náhodnému spusteniu. Po stlačení poistky páčky vypínača (A) sa uvoľní páčka vypínača (B). Keď uvoľníte rukoväť, páčka vypínača aj poistka páčky vypínača sa vrátia späť do svojej východiskovej polohy. (Obr. 25)

1. Ubezpečte sa, či je páčka vypínača zaistená, keď je poistka páčky vypínača vo svojej východiskovej polohe. (Obr. 26)
2. Stlačte páčku vypínača a uistite sa, či sa po uvoľnení vráti do pôvodnej polohy. (Obr. 27)
3. Dbajte na to, aby sa páčka vypínača a poistka páčky vypínača pohybovala voľne a aby spätná pružina správne fungovala. (Obr. 28)
4. Zapnite výrobok. Pozrite si časť *Zapnutie výrobku na strane 389*.
5. Pridajte na plný výkon.
6. Uvoľníte páčku vypínača a skontrolujte, či sa rezací nadstavec úplne zastavil.

Kontrola krytu rezacieho nadstavca



VÝSTRAHA: Nepoužívajte rezací nadstavec bez schváleného a správne nasadeného krytu rezacieho nadstavca. Vždy používajte odporúčaný ochranný kryt zodpovedajúci používanému rezaciemu nadstavcu, pozrite si časť *Technické údaje na strane 393*. Použitie nesprávneho alebo poškodeného krytu rezacieho nadstavca by mohlo zapríčiniť osobné poranenie.

Kryt rezacieho nadstavca slúži na zastavenie predmetov vymrštených smerom k obsluhu. Kryt rezacieho nadstavca tiež zamedzuje vzniku zranení spôsobených dotykom s rezacím nadstavcom.

1. Vypnite motor.
2. Pohľadom skontrolujte prítomnosť prípadných poškodení, napríklad prasklín.
3. Ak je kryt rezacieho nadstavca poškodený, vymeňte ho.

Rezné zariadenie

Vyberte správne rezné zariadenie a vykonajte údržbu rezného zariadenia s cieľom:

- získať maximálny výkon rezania,
- zvýšiť životnosť rezného zariadenia.



VÝSTRAHA: Používajte len rezacie nástavce s odporúčanými ochrannými prvkami! Pozrite si časť *Schválené príslušenstvo na strane 394*. Vyhľadajte si pokyny týkajúce sa rezacích nadstavcov,

aby ste našli správne uchytenie vyžínacej struny a plastových nožov.



VÝSTRAHA: Poškodené rezacie nadstavce môžu zvýšiť riziko nehôd.



VÝSTRAHA: Pred akoukoľvek prácou na rezacom nadstavci vždy zastavte napájanie. Po uvoľnení páčky vypínača sa budú naďalej otáčať. Pred prácou s rezacím nadstavcom zabezpečte, aby bol úplne zastavený, a odpojte od výrobku akumulátor.

Rezací nadstavec



VÝSTRAHA: Vždy zaistíte, aby bolo žacie lanko v cievke navinuté tesne a rovnomerne, aby sa zabránilo nebezpečným vibráciám.

(Obr. 29)

- Používajte iba odporúčané rezacie nadstavce.
- Dĺžka žacieho lanka je dôležitá. Dlhšia vyžínacia struna si vyžaduje väčší výkon motora než kratšia vyžínacia struna s rovnakým priemerom.
- Uistite sa, že nie je poškodený rezací zub na kryte rezacieho nadstavca. Rezací zub presne odrezáva vyžínacia struna na potrebnú dĺžku.
- Ak chcete predĺžiť životnosť žacieho lanka, pred použitím ho namočte na pár dní do vody.

Bezpečnosť akumulátorov



VÝSTRAHA: Skôr než budete výrobok používať, prečítajte si nasledujúce výstrahy.

- Používajte iba akumulátory série BLi a 40-B. Podrobnosti nájdete v časti *Technické údaje na strane 393*. Batéria je zakódovaná softvérom.
- Nabíjateľné akumulátory série BLi a 40-B používajte iba na napájanie príslušných výrobkov značky Husqvarna. V prípade iných zariadení nepoužívajte batériu ako zdroj napájania, aby ste zabránili riziku zranenia.
- Nebezpečenstvo zásahu elektrickým prúdom. Nepripájajte konektory batérie ku kľúčom, minciam, skrutkám ani k iným kovovým predmetom. Môže dôjsť k skratu batérie.
- Nepoužívajte nenabíjateľné akumulátory.
- Do vetracích otvorov batérie nekladajte žiadne predmety.
- Batériu nevystavuje priamemu slnečnému žiareniu, teplu ani otvorenému ohňu. Batéria môže spôsobiť popálenie alebo poleptanie.
- Batériu nevystavuje dažďu ani vlhku.

- Batériu nevystavuje mikrovlnnému žiareniu ani vysokému tlaku.
- Nepokúšajte sa rozoberať ani rozdrviť batériu.
- V prípade úniku kvapaliny z batérie zabráňte zasiahnutiu pokožky a očí kvapalinou. V prípade kontaktu s kvapalinou umyte zasiahnutú oblasť veľkým množstvom vody s mydlom a vyhladajte lekársku pomoc. Ak sa vám kvapalina dostane do očí, nepretierajte si ich, ale si ich minimálne 15 minút vyplachujte vodou. Následne vyhladajte lekársku pomoc.
- Batériu používajte v prostredí, v ktorom sa teplota pohybuje od $-10\text{ }^{\circ}\text{C}$ ($14\text{ }^{\circ}\text{F}$) do $40\text{ }^{\circ}\text{C}$ ($114\text{ }^{\circ}\text{F}$).
- Batériu ani nabíjačku batérií nečistite vodou. V časti *Čistenie výrobku, batérie a nabíjačky batérií na strane 391*.
- Nepoužívajte chybnú ani poškodenú batériu.
- Batérie uchovávajte v bezpečnej vzdialenosti od kovových predmetov, ako sú napr. klince, skrutky alebo šperky.
- Batériu uchovávajte mimo dosahu detí.
- Batériu nabíjajte len v interiéri na miestach s dobrým prúdením vzduchu a mimo slnečného svetla. Batériu nenabíjajte vonku. Batériu nenabíjajte vo vlhkom prostredí.
- Nabíjačku batérií používajte iba pri teplotách od $5\text{ }^{\circ}\text{C}$ ($41\text{ }^{\circ}\text{F}$) do $40\text{ }^{\circ}\text{C}$ ($104\text{ }^{\circ}\text{F}$). Nabíjačku používajte v prostredí, ktoré je dobre vetrané, suché a bez prachu.
- Do chladiacich otvorov nabíjačky batérií nevkladajte žiadne predmety.
- Nikdy nepripájajte koncovky nabíjačky batérií ku kovovým predmetom, pretože tak môže nabíjačka skratovať.
- Používajte schválené elektrické zásuvky, ktoré nie sú poškodené. Skontrolujte, či nie je poškodený kábel nabíjačky batérií. Ak používate predlžovacie káble, uistite sa, že nie sú poškodené.
- Nenabíjateľné batérie v nabíjačkách batérií nenabíjajte.

Bezpečnosť nabíjačky batérií



VÝSTRAHA: Skôr než budete výrobok používať, prečítajte si nasledujúce výstrahy.

- V prípade nedodržania bezpečnostných pokynov hrozí nebezpečenstvo zásahu elektrickým prúdom alebo skratu.
- Používajte len nabíjačku batérií dodanú s vaším výrobkom. Na nabíjanie náhradných batérií série BL1 a 40-B používajte iba nabíjačky QC80 a 40-C80.
- Nabíjačku batérií sa nepokúšajte rozoberať.
- Nepoužívajte chybnú alebo poškodenú nabíjačku batérií.
- Nabíjačku batérií nedvíhajte za napájací kábel. Pri odpájaní nabíjačky batérií od sieťovej zásuvky ťahajte za zástrčku. Neťahajte za napájací kábel.
- Udržiavajte všetky káble a predlžovacie káble mimo dosahu vody, oleja a ostrých hrán. Dbajte, aby sa kábel nezachytil vo dverách, plotoch a podobne.
- Nabíjačku batérií nepoužívajte v blízkosti horľavých materiálov alebo materiálov, ktoré spôsobujú koróziu. Skontrolujte, či nabíjačka batérií nie je zakrytá. V prípade výskytu dymu alebo ohňa odpojte zástrčku nabíjačky batérií.



VÝSTRAHA: Skôr než začnete s údržbou výrobku, prečítajte si nasledujúce výstrahy.

- Pred vykonávaním údržby, inými kontrolami alebo zmontovaním produktu vyberte batériu.
- Obsluha je povinná vykonávať iba údržbu a servisné úkony uvedené v tomto návode na obsluhu. O vykonanie rozsiahlejšej údržby alebo servisu požiadajte svojho servisného zástupcu.
- Batériu ani nabíjačku batérií nečistite vodou. Silné čistiace prostriedky môžu spôsobiť poškodenie plastov.
- V prípade zanedbania údržby sa skracuje životnosť výrobku a zvyšuje sa riziko vzniku nehôd.
- Na vykonávanie všetkých servisných a opravných úkonov, najmä na bezpečnostných zariadeniach na výrobku, je potrebné špeciálne odborné vzdelanie. Ak po vykonaní údržby nie je možné úspešne vykonať všetky kontroly v tomto návode na obsluhu, požiadajte o pomoc servisného predajcu. Zaručujeme, pre tento výrobok sú k dispozícii profesionálne opravné a servisné služby.
- Používajte iba originálne náhradné diely.

Montáž

Úvod



VÝSTRAHA: Pred montážou výrobku si prečítajte kapitolu o bezpečnosti a uistite sa, že rozumiete informáciám, ktoré sa v nej uvádzajú.

Pripevnenie krytu rezacieho nadstavca

1. Priložte kryt rezacieho nadstavca ku krytu motora. (Obr. 30)
2. Skontrolujte poistné háčiky. (Obr. 31)
3. Utiahnite skrutku. Použite kombinovaný kľúč. (Obr. 32)

4. Utiahnite skrutku.

Výmena rezacieho nastavca

1. Zasuňte kombinovaný kľúč do otvoru na zaistenie hriadeľa. (Obr. 33)
2. Otáčajte rezacím nastavcom a opatrne zatlačte na kombinovaný kľúč, kým sa výstupný hriadeľ nezablokuje.
3. Otočením v smere hodinových ručičiek rezací nastavec vyberte. Pred inštaláciou rezacieho nastavca sa uistite, že je hnací disk na svojom mieste. (Obr. 34)
4. Nový rezací nastavec nainštalujte v opačnom poradí. (Obr. 35) (Obr. 36)

Poznámka: Pred inštaláciou rezacieho nastavca sa uistite, že je správne nainštalovaný pohon disku.

Montáž ochranného krytu rastlín

1. Namontujte ochranný kryt rastlín do otvorov na kryte motora. (Obr. 37)
2. Skontrolujte, či sa ochranný kryt rastlín môže voľne pohybovať dopredu a dozadu. (Obr. 38)

Prevádzka

Úvod



VÝSTRAHA: Pred používaním výrobku si prečítajte kapitolu o bezpečnosti a uistite sa, že rozumiete informáciám, ktoré sa v nej uvádzajú.

Pred obsluhou zariadenia

- Preskúmajte pracovnú oblasť, aby ste spoznali typ terénu. Skontrolujte sklon terénu a to, či sa v okolí nenachádzajú prekážky (napríklad skaly, konáre a jamy).
- Vykonajte celkovú kontrolu výrobku.
- Vykonajte bezpečnostné opatrenia, údržbu a servis uvedené v tomto návode.
- Skontrolujte, či motor nie je znečistený alebo prasknutý. Pomocou kefy očistite motor od trávy a lístia. V prípade potreby používajte ochranné rukavice.
- Skontrolujte, či sa na vyžínacej hlave alebo rezacom nastavci nenachádzajú známky poškodenia alebo praskliny. Ak sú vyžínacia hlava alebo rezací nastavec narazené alebo prasknuté, vymeňte ich.
- Skontrolujte, či sú všetky matice a skrutky dotiahnuté.
- Pred spustením výrobku skontrolujte, či sú všetky kryty, ochranné prvky, rukoväť a rezné zariadenia správne nasadené a nie sú poškodené.

Montáž oblúkovej rukoväti

1. Nainštalujte skrutku do oblúkovej rukoväte. (Obr. 39)
2. Oblúkovú rukoväť primontujte k nastavcu na hriadeľ.
3. Utiahnite skrutky.
4. Nastavte oblúkovú rukoväť do správnej polohy. Pozrite si časť *Nastavenie oblúkovej rukoväte a teleskopického hriadeľa na strane 389.*

Montáž nabíjačky 40-C80 na stenu



VAROVANIE: Na montáž nabíjačky na stenu nepoužívajte elektrický skrutkovač. Elektrický skrutkovač môže spôsobiť poškodenie nabíjačky.

1. Namontujte nabíjačku na stenu pomocou 2 skrutiek (A). V prípade potreby použite príchytky (B). (Obr. 40)
2. Namontujte 2 závitové uzávery (C).
3. Napájací kábel (D) pripojte do nabíjačky a do elektrickej zásuvky.

Batéria



VÝSTRAHA: Pred používaním akumulátora si prečítajte kapitolu o bezpečnosti a uistite sa, že rozumiete informáciám, ktoré sa v nej uvádzajú. Prečítajte si návod na obsluhu akumulátora a nabíjačky a uistite sa, že mu rozumiete.

Akumulátor a nabíjačku udržiavajte pri správnej teplote okolia.

	Teplota okolitého prostredia
Prevádzka výrobku	-5 °C – 40 °C/23 °F – 104 °F
Nabíjanie akumulátora	5 °C – 40 °C/41 °F – 104 °F

Stav batérie

Na displeji sa zobrazuje stav nabitia a prípadné problémy s batériou.

(Obr. 41)

Indikátor LED	Stav batérie (stav nabitia)	
	BLi10, BLi20	40-B70, 40-B140
Svietia 4 diódy LED	–	Batéria je nabitá na 76 % – 100 %.
Svietia 3 diódy LED	Batéria je nabitá na 76 % – 100 %.	Batéria je nabitá na 51 % – 75%.
Svietia 2 diódy LED	Batéria je nabitá na 51 % – 75%.	Batéria je nabitá na 26 % – 50%.
Svieti 1 dióda LED	Batéria je nabitá na 26 % – 50%.	Batéria je nabitá na 6 % – 25%.
Bliká 1 dióda LED	Batéria je nabitá na 0 % – 25 %.	Batéria je nabitá na 0 % – 5 %.

Nabíjanie akumulátora

Ak batériu používate prvýkrát, nabite ju. Nová batéria je nabitá iba na 30 %.



VAROVANIE: Nabíjačku akumulátora pripájajte k sieťovej zásuvke s napätím a frekvenciou uvedenými na výkonovom štítku.

Akumulátor sa nenabíja, pokiaľ je jej teplota vyššia než 50 °C (122 °F).

1. Pripojte napájací kábel k nabíjačke akumulátora.
2. Pripojte nabíjačku akumulátora k uzemnenej sieťovej zásuvke. Indikátor LED nabíjania raz zabliká. (Obr. 42)
3. Pripojte akumulátor k nabíjačke akumulátorov. Rozsvietia sa indikátor LED nabíjania. Akumulátor nabíjajte maximálne 24 hodín. (Obr. 43)
4. Stlačte tlačidlo indikátora batérie, ak sa všetky indikátory LED batérie rozsvietia, akumulátor je úplne nabitý.
5. Vytiahnutím zástrčky odpojte nabíjačku batérií z napájacej zásuvky. Neťahajte za napájací kábel.
6. Vyberte akumulátor z nabíjačky.

Pripojenie batérie k výrobku



VÝSTRAHA: Vo výrobku používajte iba pôvodnú batériu Husqvarna.

1. Úplne nabite batériu.
2. Zatlacíte batériu do držiaka na batériu na výrobku. Akumulátor sa zaistí na mieste, keď sa ozve cvaknutie. (Obr. 44)



VAROVANIE: Ak sa batéria do držiaka nedá ľahko zasunúť, nie je správne vložená. Mohlo by to viesť k poškodeniu výrobku.

Zapnutie výrobku

1. Stlačte a podržte štartovacie/vypínacie tlačidlo, kým sa nerozsvieti zelený indikátor LED. (Obr. 45)
2. Stlačte poistku páčky vypínača a páčku vypínača. Rezné zariadenie sa začne otáčať.

Nastavenie oblúkovej rukoväte a teleskopického hriadeľa

1. Povoľte rukoväť poistky a nastavte oblúkovú rukoväť do správnej polohy. (Obr. 46)
2. Zaisťte rukoväť poistky.
3. Povoľte páku na hriadeľ. (Obr. 47)
4. Nastavte potrebnú dĺžku hriadeľa. Uistite sa, či vidíte trojuholník na hriadeľ. (Obr. 48)
5. Zaisťte páku a utiahnite skrutku.

Poznámka: Nepripevňujte oblúkovú rukoväť na výstražné štítky na hriadeľ.

Používanie funkcie SavE

Tento výrobok je vybavený funkciou na úsporu energie SavE.

Poznámka: Funkcia SavE neznižuje rezný výkon výrobku.

1. Stlačte tlačidlo SavE na klávesnici.
2. Skontrolujte, či sa rozsvieti zelený indikátor LED.
3. Funkciu vypnete opätovným stlačením tlačidla SavE. Zelený indikátor LED zhasne. (Obr. 49)

Funkcia automatického vypnutia

Výrobok je vybavený funkciou vypnutia pre prípad, že sa nepoužíva. Zelený indikátor LED na signalizáciu spustenia/zastavenia sa vypne a výrobok sa po 180 sekundách zastaví.

Prevádzka produktu

Kosenie trávnik

1. Pri kosení trávy sa uistite, že sú plastové nože alebo vyžínacia struna rovnobežné so zemou. (Obr. 50)
2. Netlačte hlavu Tri-Cut alebo vyžínaciu hlavu k zemi. Mohlo by to viesť k poškodeniu výrobku.

Poznámka: Nízka teplota okolia približujúca sa k 0 °C môže spôsobiť zlomenie noža alebo vyžínacej struny.

3. Pri kosení trávnik posúvajte výrobok zo strany na stranu. (Obr. 51)

Poznámka: Výrobok s poškodeným rezacím nadstavcom nepoužívajte. Poškodený rezací nadstavec môže spôsobiť narušenie rovnováhy, ktorá môže výrobok poškodiť.

Odpratávanie trávy

Prúd vzduchu z rotujúcich plastových nožov alebo vyžínacej struny je možné použiť na odpratávanie trávy z požadovanej plochy.

1. Podržte vyžínaciu hlavu, plastové nože alebo vyžínaciu strunu rovnobežne so zemou a nad zemou.
2. Aktivujte plné otáčky.

3. Pohybom rezacieho nadstavca zo strany do strany môžete trávu odfukovať.



VÝSTRAHA: Pri každom založení nových plastových nožov alebo vyžínacej struny očistite kryt rezacieho nadstavca, aby ste zamedzili narušeniu rovnováhy a vibrovaniu rukovätí. Taktiež skontrolujte ostatné časti rezacieho nadstavca a v prípade potreby ich očistite.

Na zastrhávanie v blízkosti objektov

1. Stiahnite ramienko na ochranu rastlín. (Obr. 52)
2. Použite ramienko na ochranu rastlín, aby ste zabránili poškodeniu iných objektov. (Obr. 53)

Zastavenie výrobku

1. Uvoľníte páčku vypínača a poistku páčky vypínača.
2. Držte štartovacie/vypínacie tlačidlo stlačené dovtedy, kým zelený indikátor LED nezhasne.
3. Stlačte tlačidlá uvoľnenia na batérii a odstráňte batériu z výrobku. (Obr. 54)

Výmena plastových nožov alebo žacieho lanka

Pozrite si posledné strany tohto návodu na obsluhu.

Údržba

Úvod



VÝSTRAHA: Pred údržbou výrobku si prečítajte kapitolu o bezpečnosti a uistite sa, že rozumiete informáciám, ktoré sú v nej uvedené.

Plán údržby



VÝSTRAHA: Pred vykonaním údržby vyberte akumulátor.

Nasleduje zoznam postupov údržby, ktoré na výrobku musíte vykonávať. Ďalšie informácie nájdete v časti *Prehľad výrobku na strane 380*.

Údržba	Denne	Týždenné	Mesačne
Očistite externé súčasti výrobku suchou handričkou. Nepoužívajte vodu.	X		
Skontrolujte, či štartovacie a vypínacie tlačidlo funguje správne a či nie je poškodené.	X		
Skontrolujte, či páčka vypínača a poistka páčky vypínača fungujú správne z hľadiska bezpečnosti.	X		
Skontrolujte, či sú rukoväte suché a čisté.	X		
Skontrolujte, či ochranný kryt rezacieho nadstavca nie je poškodený. Ak je kryt rezacieho nadstavca poškodený, vymeňte ho.	X		
Skontrolujte, či nie sú rukoväť a riadičlá poškodené a že sú správne nasadené.	X		

Údržba	Denne	Týždenne	Mesačne
Skontrolujte zaist'ovací mechanizmus teleskopického hriadeľa. Pozrite si časť <i>Kontrola zaist'ovacieho mechanizmu teleskopického hriadeľa na strane 391.</i>	X		
Skontrolujte nabíjačku a uistite sa, či správne funguje a či nie je poškodená.	X		
Skontrolujte, či akumulátor nie je poškodený.	X		
Uistite sa, že je batéria nabitá.	X		
Skontrolujte, či nabíjačka batérie nie je poškodená.	X		
Uistite sa, že sú externé skrutky a matice dotiahnuté.		X	
Skontrolujte, či uvoľňovacie tlačidlá na batérii fungujú správne a riadne zaistia batériu vo výrobku.		X	
Skontrolujte, či je v cievke vyžínacej hlavy mazivo.		X	
Vyčistite a skontrolujte pripojenia medzi akumulátorom a výrobkom.			X
Vyčistite a skontrolujte pripojenie medzi akumulátorom a nabíjačkou.			X

Kontrola batérie a nabíjačky batérií

1. Skontrolujte, či nie je batéria poškodená, napríklad prasknutá.
2. Skontrolujte, či nie je nabíjačka batérií poškodená, napríklad prasknutá.
3. Skontrolujte, či pripájací kábel nabíjačky batérie nie je poškodený a či na ňom nie sú praskliny.

Čistenie výrobku, batérie a nabíjačky batérií

1. Výrobok po použití očistite suchou handričkou.
2. Očistite batériu a nabíjačku batérií čistou handričkou. Vodiace dráhy batérie udržiavajte čisté.
3. Než vložíte batériu do nabíjačky alebo výrobku, skontrolujte, či sú koncovky na batérii a nabíjačke batérií čisté.

Kontrola a výmena vyžínacej hlavy Tri-Cut

1. Skontrolujte, či sa na vyžínacej hlave Tri-Cut nenachádzajú známky poškodenia alebo praskliny.
2. Odstráňte vyžínaciu hlavu Tri-Cut. *Pozrite si časť „Odstránenie vyžínacej hlavy Tri-Cut“ na poslednej strane návodu na obsluhu.*
3. Zmontujte vyžínaciu hlavu Tri-Cut. *Pozrite si časť Výmena rezacieho nadstavca na strane 388.*

Kontrola zaist'ovacieho mechanizmu teleskopického hriadeľa

1. Skontrolujte zaist'ovací mechanizmus teleskopického hriadeľa.
2. Upravte silu krútiaceho momentu. (Obr. 55)

Riešenie problémov

Klávesnica

Displej LED	Možné poruchy	Možné riešenia
Bliká indikátor LED, ktorý signalizuje poruchu.	Preťaženie	Rezací nadstavec sa voľne nepohybuje. Uvoľnite rezací nadstavec.
	Teplotná odchýlka	Nechajte výrobok vychladnúť.
Výrobok sa nedá spustiť.	Zatlačte páčku vypínača a súčasne stlačte štartovacie tlačidlo.	Uvoľnite páčku vypínača a zastavte výrobok.
Indikátor LED, ktorý signalizuje poruchu, sa rozsvieti načerveno.	Na výrobku je potrebné vykonať servisný zásah	Obráťte sa na servisného predajcu.

Batéria

LED displej	Možné poruchy	Možná činnosť
Bliká zelený indikátor LED.	Nízke napätie batérie.	Nabite batériu.
Bliká indikátor LED, ktorý signalizuje poruchu.	Teplotná odchýlka.	Batériu používajte v prostredí, v ktorom sa teplota pohybuje od -10°C (14°F) do 40°C (104°F).
	Príliš vysoké napätie.	Skontrolujte, či sieťové napätie zodpovedá napätiu uvedenému na výkone štítiku výrobku. Vyberte batériu z nabíjačky batérií.
Svieti indikátor LED, ktorý signalizuje poruchu.	V článkoch je príliš veľký rozdiel (1 V).	Obráťte sa na servisného predajcu.

Nabíjačka batérie

Problém	Možné poruchy	Možné riešenie
Indikátor LED nabíjania svieti načerveno.	Trvalá chyba nabíjačky batérií.	Obráťte sa na predajcu.
Indikátor LED nabíjania bliká nazeľno.	Odchýlka teploty, batéria je príliš studená alebo príliš horúca na použitie alebo nabíjanie.	Nechajte batériu vychladnúť alebo zahriať. Keď má batéria správnu teplotu, môžete ju znova použiť na nabíjanie. Nabíjačku batérií používajte v rozmedzí teploty okolitého prostredia od 5 °C (41 °F) do 40 °C (104 °F).
Indikátor LED nabíjania bliká načerveno.	Chybná batéria.	Obráťte sa na predajcu.

Preprava, skladovanie a likvidácia

Preprava a uskladnenie

- Dodávané lítium-iónové batérie spĺňajú požiadavky právnych predpisov, ktoré sa týkajú nebezpečného tovaru.
- Dodržiavajte špeciálne požiadavky na balení a štítkoch pri obchodnej preprave. Táto požiadavka platí aj pre tretie strany a prepravcov.
- Pred odoslaním výrobku sa poraďte s osobou s osobitým vzdelaním v oblasti nebezpečných materiálov. Dodržiavajte všetky príslušné vnútroštátne právne predpisy.
- Odhalené kontakty zaistíte páskou pri vkladaní akumulátora do balenia. Batériu v balení pevne zabezpečte, aby sa nemohla posúvať.
- Pred skladovaním alebo prepravou batériu vyberte.
- Umiestnite batériu a nabíjačku batérií do suchého priestoru bez výskytu vlhkosti a mrazov.
- Neskladujte batériu na mieste, kde sa môže vyskytovať statická elektrina. Batériu nekladajte do kovovej skrinky.
- Batériu uložte na mieste, kde sa teplota pohybuje v intervale 5°C (41°F) až 25°C (77°F) a kde je chránená pred priamym slnečným svetlom.
- Nabíjačku batérií uložte na mieste, kde sa teplota pohybuje v intervale 5 °C (41 °F) až 45°C (113°F) a kde je chránená pred priamym slnečným svetlom.
- Nabíjačku batérií používajte iba vtedy, keď je teplota okolitého prostredia v rozsahu 5°C (41 °F) až 40°C (104°F).

- Pred dlhodobým skladovaním batériu nabite na 30 – 50 % kapacity.
- Nabíjačku batérií uchovajte na uzavretom a suchom mieste.
- Batériu skladujte mimo nabíjačky batérií. Nedovoľte deťom ani iným nepovolaným osobám, aby sa dotýkali zariadenia. Uchovávajúajte zariadenia na mieste, ktoré je možné uzamknúť.
- Pred dlhodobým uskladnením výrobok vyčistite a vykonajte kompletný servis.
- Pomocou prepravného krytu na výrobku zamedzte vzniku zranení alebo poškodenia produktu počas prepravy a uskladnenia.

- Pred prepravou výrobok bezpečne upevnite.

Likvidácia batérie, nabíjačky batérií a výrobku

Symbole na výrobku alebo na obale výrobku označujú, že tento výrobok nepredstavuje komunálny odpad. Recyklujte ho v recyklačnej stanici určenej pre elektrické a elektronické zariadenia. Napomôže tým zamedziť vzniku poškodeniu životného prostredia a osôb.

Ďalšie informácie o recyklácii výrobku získate od miestnych úradov, služby na likvidáciu komunálneho odpadu alebo predajcu.

Technické údaje

Technické údaje

	215IL-TC
Motor	
Typ motora	BLDC
Otáčky výstupného hriadeľa, ot./min	6800
Šírka rezu, mm	255
Hmotnosť	
Hmotnosť bez akumulátora, kg	2,9
Emisie hluku ⁶⁷	
Nameraná hladina akustického výkonu, dB (A)	90,8
Zaručená úroveň hlučnosti L _{WA} dB(A)	93
Hladiny hluku ⁶⁸	
Ekvivalentná úroveň akustického tlaku pri uchu obsluhy meraná podľa normy IEC 62841-4-4, dB (A)	81,3
Úrovně vibrácií ⁶⁹	
Úrovně vibrácií na rukovätiach merané podľa normy IEC 62841-4-4, m/s ²	3,0/2,7
Vybavené vyžínacou hlavou (originálnou), predná/zadná.	

⁶⁷ Hladina hluku meraná ako akustický tlak (L_{WA}) v súlade s európskou smernicou 2000/14/ES. Rozdiel medzi zaručeným a nameraným akustickým výkonom spočíva v tom, že zaručený akustický výkon zahŕňa aj rozptyl výsledkov merania a rozdiely medzi jednotlivými výrobkami rovnakého modelu v súlade so smernicou 2000/14/ES.

⁶⁸ Uvedené údaje pre ekvivalentnú hladinu akustického tlaku majú typický štatistický rozptyl (štandardnú odchýlku) 3 dB (A).

⁶⁹ Uvádzané údaje pre ekvivalentný stupeň vibrácií majú typický štatistický rozptyl (štandardnú odchýlku) 1,5 m/s².

Schválené batérie pre výrokok

Batéria	BLi10		BLi20		40-B70	40-B140
Typ	Lítium-iónová		Lítium-iónová		Lítium-iónová	Lítium-iónová
Kapacita batérie, Ah	Pozrite si výkonový štítok batérie		Pozrite si výkonový štítok batérie		Pozrite si výkonový štítok batérie	Pozrite si výkonový štítok batérie
Menovité napätie, V	36	36,5	36	36,5	36	36
Hmotnosť, kg (lb)	0,7	0,7	1,2	1,2	0,8	1,25

Schválené nabíjačky batérií pre výrokok

Nabíjačka batérie	QC80	40-C80
Sieťové napätie, V	100 – 240	100 – 240
Frekvencia, Hz	50 – 60	50 – 60
Výkon, W	100	72
Výstupné napätie, V d.c./ Ampérov, A	36/2	43/1,6

Príslušenstvo

Schválené príslušenstvo

Schválené príslušenstvo	Typ	Kryt rezacieho nadstavca, diel č.
Vyžínacia hlava	R25B (šnúra s Ø 2 mm)	529 96 69-01
Vyžínacia hlava	Tri-Cut B (255 mm)	529 96 69-01

Vyhlásenie o zhode

Vyhlásenie o zhode EÚ

My, spoločnosť **Husqvarna AB**, SE-561 82 Huskvarna, Švédsko, tel.: +46-36-146500, vyhlasujeme s plnou zodpovednosťou, že výrobok:

Popis	Akumulátorový vyžinač na trávu
Značka	Husqvarna
Typ/model	215iL-TC
Identifikácia	Výrobné čísla od roku 2025 a novšie

plne spĺňa nasledujúce smernice a nariadenia EÚ:

Smernice/Nariadenia	Popis
2006/42/ES	„o strojových zariadeniach“
2014/30/EÚ	„o elektromagnetickej kompatibilite“
2000/14/ES	„týkajúca sa emisie hluku v prostredí pochádzajúceho zo zariadení používaných vo voľnom priestranstve“
2011/65/EÚ	„o obmedzení používania určitých nebezpečných látok v elektrických a elektronických zariadeniach“

a že sa pri ňom uplatňujú nasledujúce normy a technické špecifikácie: EN 62841-1:2015+A11:2022, IEC 62841-4-4:2020, EN ISO 12100:2010, EN IEC 63000:2018, EN IEC 55014-1:2021; EN IEC 55014-2:2021.

Notifikovaný orgán: 0036 TÜV SÜD Industrie Service GmbH, Westendstraße199,80686 München,Germany osvedčil zhodu so smernicou Rady 2000/14/ES, posudzovanie zhody: príloha VI.

Informácie týkajúce sa emisii hluku nájdete v časti *Technické údaje na strane 393*.

Husqvarna, 2025-01-10



Claes Losdal, manažér pre vývoj a výskum, Husqvarna AB

Zodpovedný za technickú dokumentáciu



VSEBINA

Uvod.....	396	Transport skladiščenje in odstranitev.....	408
Varnost.....	397	Tehnični podatki.....	408
Montaža.....	403	Dodatki.....	410
Delovanje.....	404	Izjava o skladnosti.....	411
Vzdrževanje.....	406	Dodatek.....	478
Odpravljanje težav.....	407		

Uvod

Opis izdelka

Husqvarna 215iL-TC je baterijska kosa z elektromotorjem.

Stalno delamo na tem, da bi povečali varnost in učinkovitost med delovanjem. Če potrebujete več informacij, se obrnite na servisnega zastopnika.

Namen uporabe

Izdelek se uporablja v povezavi s plastičnimi rezili. Izdelek uporabljajte samo za košnjo plevela, trave ali podobnega mehkejšega rastlinja.

Pregled izdelka

(Sl. 1)

1. Kosilna glava Tri-Cut
2. Ščitnik rezalnega priključka
3. Gred
4. Nastavitev gredi (teleskopske)
5. Okrogli ročaj
6. Tipkovnica
7. Opozorilni indikator za tipkovnico
8. Gumb za vklop/izklop
9. Gumb SavE
10. Sprožilnik
11. Zaklep sprožilca plina
12. Indikator vklopa in opozoril
13. Priključek
14. Polnilnik baterije 40-C80
15. Ščitnik za rastline
16. Opozorilni indikator za baterije
17. Stanje akumulatorja
18. Indikatorski gumb stanja akumulatorja
19. Gumbi za sprostitvev baterij
20. Akumulator
21. Kombiniran ključ
22. Pogonski disk
23. Navodila za uporabo

Opomba: Uporaba tega izdelka je lahko omejena z nacionalnimi predpisi.

Izdelek uporabljajte samo z dodatki, ki jih je odobril proizvajalec. Glejte *Dodatki na strani 410*.

Simboli na izdelku

- (Sl. 2) OPOZORILO: Ta izdelek je lahko nevaren in lahko povzroči hude poškodbe oziroma smrt uporabnika ali drugih. Bodite previdni in uporabljajte izdelek pravilno.
- (Sl. 3) Pred začetkom uporabe izdelka natančno preberite navodila za uporabo in se prepričajte, da ste jih razumeli.
- (Sl. 4) Namestite si zaščitno oči in sluha.
- (Sl. 5) Izdelek ne sme biti izpostavljen dežju.
- (Sl. 6) Emisije hrupa za oznako okolja v skladu z EU (vključno z zakonodajo avstralske zvezne države New South Wales) ter direktivami in uredbami Združenega kraljestva. Podatke o emisijah hrupa najdete na oznaki stroja in v poglavju Tehnični podatki. Velja samo, ko je izdelek opremljen s kosilno nitko.
- (Sl. 7) Pazite na leteče predmete.
- (Sl. 8) Pred vzdrževanjem odklopite baterijo.
- (Sl. 9) Izdelek ali embalaža izdelka ne spadata med gospodinjske odpadke. Treba ga je

	reciklirati v zbirnem centru za reciklažo električne in elektronske opreme.	(Sl. 11)	Izdelek je skladen z veljavnimi predpisi Združenega kraljestva.
(Sl. 10)	Izdelek je skladen z veljavnimi direktivami EU.	(Sl. 12)	Enosmerni tok.
(Sl. 16)			Razdalja med strojem in mimoidočimi mora biti najmanj 15 m (50 ft).
(Sl. 17)			Ne uporabljajte kovinskih rezil.
yyyywwxxxx			Na tipski ploščici ali laserskemu natisu je navedena serijska številka. yyyy je proizvodno leto in ww je proizvodni teden.

Simboli na bateriji in/ali polnilniku baterije

(Sl. 18)	Izdelek je treba reciklirati v zbirnem centru za reciklažo električne in elektronske opreme. (velja samo za Evropo)
(Sl. 13)	Pretvornik za varno odpoved.
(Sl. 14)	Polnilnik baterije hranite in uporabljajte samo v zaprtih prostorih.

(Sl. 15) Dvojna izolacija.

Škoda izdelka

Za škodo na izdelku ne odgovarjamo, če:

- Izdelek ni pravilno popravljen.
- Izdelek je popravljen z deli, ki jih ni izdelal ali odobril proizvajalec.
- Na izdelku je nameščena dodatna oprema, ki je ni izdelal ali odobril proizvajalec.
- Izdelek ni bil popravljen v pooblaščenem servisnem centru ali pri pooblaščenem organu.

Varnost

Varnostne definicije

Opozorila, svarila in opombe opozarjajo na posebej pomembne dele priročnika.



OPOZORILO: Se uporabi, če obstaja nevarnost telesne poškodbe ali smrti uporabnika ali opazovalcev ob neupoštevanju navodil v tem priročniku.



POZOR: Se uporabi, če obstaja nevarnost poškodbe izdelka, drugih materialov ali okolice ob neupoštevanju navodil v tem priročniku.

Opomba: Se uporabi za podajanje podrobnejših informacij, potrebnih v dani situaciji.

Splošni varnostni napotki za napravo



OPOZORILO: Preberite vsa varnostna opozorila, navodila, slike in specifikacije, dobavljene s tem strojem. Neupoštevanje vseh spodaj navedenih navodil lahko povzroči električni udar, požar in/ali težko telesno poškodbo.

Shranite vsa opozorila in navodila za bodočo uporabo.

Opomba: *Izraz "stroj" v opozorilih se nanaša na (ožičen) stroj na omrežni pogon ali (brezžičen) stroj na akumulatorski pogon.*

Varnost delovnega področja

- **Poskrbite za čistočo in dobro osvetlitev delovnega področja.** V prenatrpanih ali mračnih prostorih lahko hitro pride do nesreče.
- **Stroja ne uporabljajte v eksplozijsko ogroženih okoljih, v katerih so prisotne gorljive tekočine, plini ali prah.** Stroji sprožajo iskre, ki lahko vžgejo prah ali hlape.
- **Med uporabo stroja se otroci ali opazovalci ne smejo zadrževati v bližini.** Odvratanje pozornosti lahko povzroči izgubo nadzora.

Električna varnost

- **Priključni vtič orodja mora biti primeren za vtičnico. Vtiča na noben način ne spreminjajte. Z ozemljenim strojem ne uporabljajte adapterjev za vtič.** Nепredelani vtiči in ustrezne vtičnice poskrbijo za zmanjšano nevarnost električnega udara.
- **Izogibajte se telesnega stika z ozemljenimi površinami, kot so cevi, radiatorji, štedilniki in hladilniki.** Če je vaše telo ozemljeno, se nevarnost električnega udara poveča.

- **Orodja ne smejo biti izpostavljena dežju ali mokrim pogojem.** Vlaga, ki vdre v stroj, povečuje nevarnost električnega udara.
- **Ne ravajte grobo s kablom.** Kabla nikoli ne uporabljajte za prenašanje, vlečenje ali odklapanje stroja iz vtičnice. Kabel ne sme priti v stik z vročino toplote, oljem, ostrimi robovi ali premikajočimi deli. Poškodovani ali zavozlani kabli povečujejo nevarnost električnega udara.
- **Če orodje uporabljate na prostem, uporabljajte samo podaljške, ki so primerni tudi za uporabo na prostem.** Za zmanjšanje nevarnosti električnega udara uporabljajte kabel, primeren za zunanjo uporabo.
- **Če se ne morete izogniti upravljanju orodja v vlažnem okolju, uporabite napajanje z zaščitno napravo na diferencialni tok (RCD).** Uporaba naprave RCD zmanjšuje nevarnost električnega udara.
- **Ne uporabljajte orodja s pokvarjenim stikalom za vklop in izklop.** Stroj, ki ga ni mogoče upravljati s stikalom, je nevaren in ga je treba popraviti.
- **Pred izvajanjem nastavitve, menjavo priključkov ali shranjevanjem orodja izvlecite vtič iz električne vtičnice in/ali odstranite baterijo iz orodja, če je to mogoče.** Tovrstni preventivni ukrepi pomagajo zmanjšati nevarnost nenamernega vklopa stroja.
- **Orodje, ki ga ne uporabljate, hranite zunaj dosega otrok.** Ne dovolite, da bi orodje uporabljale osebe, ki niso seznanjene z njegovo uporabo ali niso prebrale teh navodil. Stroj je v rokah nepoučenih uporabnikov nevaren.
- **Vzdržujte orodje in dodatno opremo. Preverite poravnavo ali zatikanje gibljivih delov. Prepričajte se, da noben del ni poškodovan, in preverite vsa druga stanja, ki bi lahko vplivala na delovanje orodja. Če je stroj poškodovan, ga pred uporabo odnesite v popravilo.** Veliko nesreč povzročijo slabo vzdrževani stroji.
- **Rezila naj bodo vedno ostra in čista.** Pravilno vzdrževani stroji z ostrimi rezalnimi robovi se manj zatikajo in jih je lažje kontrolirati.
- **Orodje, dodatno opremo, nastavke itd. uporabljajte v skladu s temi navodili. Pri tem upoštevajte delovne pogoje in delo, ki ga želite opraviti.** Uporaba stroja za opravila, za katera ta stroj ni namenjen, je lahko nevarna.
- **Ročaji in prijemalne površine naj bodo suhi, čisti in brez ostankov olja in masti.** Če so ročaji in prijemalne površine spolzki, ne omogočajo varne uporabe in upravljanja stroja v nepričakovanih razmerah.

Osebnostna zaščita

- **Bodite pozorni, pazite, kaj počnete, in pri delu z orodjem ravnajte razumno. Ne uporabljajte orodja, ko ste utrujeni ali pod vplivom drog, alkohola ali zdravil.** Trenutek nepozornosti med uporabo stroja lahko povzroči hudo telesno poškodbo.
- **Uporabljajte osebno zaščitno opremo. Vedno uporabljajte zaščito za oči.** Zaščitna oprema, na primer prašna maska, čevlji z nedrsečimi podplati, čelada ali zaščita za sluh, uporabljena v pravih okoliščinah, zmanjšuje nevarnost osebnih poškodb.
- **Izogibajte se neželenu zagonu. Pred priklopom izdelka na vir napajanja ali namestitvijo baterije, dvigom ali prenašanjem se prepričajte, da je stikalo v položaju za izklop.** Prenašanje strojev s prstom na stikalo ali priklop stroja z vklopljenim stikalom lahko povzroči nesrečo.
- **Pred vklopom orodja, odstranite nastavitvena ključa ali izvijalce.** Če ostane ključ na vrtljivem delu stroja, lahko ta povzroči telesne poškodbe.
- **Rok ne stegujte predaleč. Vedno zanesljivo stopajte in pazite na ravnotežje.** To vam omogoča boljši nadzor nad strojem ob nepričakovanih dogodkih.
- **Primerno se oblecite. Ne nosite ohlapnih oblačil in nakita. Z lasmi in oblačili ne segajte v območje gibljivih delov.** Ohlapne obleke, nakit ali dolgi lasje se lahko zapletejo v premične dele.
- **Če so naprave opremljene s priključkom za odvajanje in zbiranje prahu, mora biti ta zaseden in pravilno uporabljen.** Zbiranje prahu lahko zmanjša nevarnost zaradi vdihavanja tega.
- **Kljub morebitni pogosti uporabi stroja bodite previdni in upoštevajte varnostna opozorila za stroja.** Brezbržna uporaba lahko v trenutku povzroči hudo telesno poškodbo.

Uporaba in ravnanje z orodjem

- **Pri delu z napravo ne uporabljajte sile. Pri delu uporabljajte ustrezen stroj.** Pravi stroj bo delo opravil bolje in varneje, če deluje pri hitrosti, za katero je bil zasnovan.

Uporaba in nega akumulatorskega stroja

- **Baterijo polnite le s polnilnikom, ki ga določi proizvajalec.** Polnilnik, ki je primeren za eno vrsto baterij, lahko poveča nevarnost požara pri drugih baterijah.
- **V orodja vstavljajte samo posebej zasnovane akumulatorske baterije.** Če uporabite druge baterije, se lahko poveča nevarnost poškodb in požara.
- **Ko baterije ne uporabljate, ne sme priti v stik z drugimi kovinskimi predmeti, kot so sponke za papir, kovanci, ključiči, žebliji, vijaki ali drugi majhni kovinski predmeti, ki lahko vzpostavijo povezavo med dvema poloma.** Kratek stik med poloma baterije lahko povzroči opekline ali požar.
- **Ob nepravilni in grobi uporabi lahko iz baterije izteka tekočina; izogibajte se stiku s tekočino. Če se tekočine nehote dotaknete, sperite roke z vodo. Če pride tekočina v stik z očmi, poiščite zdravniško pomoč.** Tekočina, ki izteka iz baterije, lahko povzroči draženje ali opekline.
- **Ne uporabljajte poškodovane ali spremenjene akumulatorske baterije ali akumulatorskega stroja.** Poškodovani ali predelani akumulatorji se lahko obnašajo nepredvidljivo in lahko posledično zagorijo, eksplodirajo ali predstavljajo nevarnost poškodb.

- **Akumulatorske baterije ali akumulatorskega stroja ne izpostavljajte ognju ali prekomernim temperaturam.** Izpostavljenost ognju ali temperaturam nad 130 °C (265 °F) lahko povzroči eksplozijo.
- **Upoštevajte vsa navodila za polnjenje in ne polnite akumulatorske baterije ali akumulatorskega stroja pri temperaturah zunaj temperaturnega območja, navedenega v navodilih.** Neustrezna zamenjava ali temperature zunaj dovoljenega območja lahko povzročijo poškodbe baterije in povečajo nevarnost požara.

Servis

- **Popravila stroja sme izvajati usposobljen serviser, pri tem pa mora uporabljati originalne nadomestne dele.** S tem zagotovite ohranitev kakovosti in varnosti stroji.
- **Ne servisirajte poškodovanih baterijskih enot.** Baterijske pakete lahko servisirajo samo proizvajalec in pooblaščen servisni ponudniki.

Varnostna opozorila obrezovalnika trave

- **Orodja ne uporabljajte v slabem vremenu, zlasti ko obstaja nevarnost bliskanja.** S tem zmanjšate nevarnost udara strele.
- **Prepričajte se, da na območju, na katerem nameravate uporabiti stroj, ni prostoživečih živali.** Stroj lahko med delovanjem poškoduje prostoživeče živali.
- **Skrbno preglejte območje, na katerem boste uporabljali stroj, ter odstranite vse kamne, veje, kable, kosti in druge predmete.** Zaradi izmeta predmetov lahko pride do telesnih poškodb.
- **Pred uporabo stroja se vedno vizualno prepričajte, da rezalnik in rezilo ter sklop rezalnika in rezila nista poškodovana.** Poškodovani deli povečajo nevarnost poškodb.
- **Upoštevajte navodila za zamenjavo dodatne opreme.** Nepravilno zategnjene matice ali vijaki za pritrditev rezila lahko poškodujejo rezilo ali ga odtrgajo.
- **Nosite zaščito za oči, ušesa, glavo in roke.** Ustrezna zaščitna oprema zmanjša nevarnost telesnih poškodb zaradi letečih ostankov ali nenamerne stika z rezili ali nitkami.
- **Med uporabo stroja vedno nosite neдрsečo zaščitno obutev. Stroja ne uporabljajte bos ali v sandalih.** S tem zmanjšate možnost poškodb stopal zaradi stika z vrtečimi rezili ali nitkami.
- **Med uporabo stroja obvezno nosite dolge hlače.** Izpostavljena koža poveča verjetnost poškodb zaradi letečih predmetov.
- **Poskrbite, da se mimoidoči ne približajo stroju med njegovo uporabo.** Zaradi izmeta predmetov lahko pride do hudih telesnih poškodb.
- **Stroj vedno upravljajte z obema rokama** Če stroj držite z obema rokama, se izognete izgubi nadzora.
- **Stroj držite samo za izolirane površine, ker lahko rezalna nitka ali rezilo prideta v stik s skritimi kablji.**

Če se rezalna nitka ali rezila dotaknejo kabla pod napetostjo, lahko napetost preide tudi na ostale kovinske dele stroja, zaradi česar lahko uporabnik doživi električni udar.

- **Vedno imejte ustrezno podlago za noge in stroj upravljajte le, če stojite na tleh.** Na drsečih in nestabilnih površinah lahko izgubite ravnotežje ali nadzor nad strojem.
- **Stroja ne uporabljajte na strminah z izjemno velikim naklonom.** S tem zmanjšate tveganje izgube nadzora, zdrsra in padca, ki lahko povzročijo telesne poškodbe.
- **Pri delu na strminah se vedno prepričajte, da stojite na stabilni podlagi, vedno delajte v vodoravni smeri, nikoli navzgor ali navzdol, in bodite izjemno previdni pri spreminjanju smeri.** S tem zmanjšate tveganje izgube nadzora, zdrsra in padca, ki lahko povzročijo telesne poškodbe.
- **Med delovanjem stroja se z nobenim delom telesa ne približujte rezalniku, rezalni nitki ali rezilu.** Pred zagonom stroja se prepričajte, da rezalni, rezalna nitka ali rezilo ni v stiku z nobenim predmetom. Trenutek nepozornosti med uporabo stroja lahko povzroči težko osebno poškodbo vas ali drugih.
- **Stroja ne uporabljajte nad višino pasu.** Tako preprečite neželen stik z rezalnikom in omogočite boljši nadzor nad strojem v nepričakovanih okoliščinah.
- **Pri rezanju napetega grmičevja ali mladik bodite pozorni, saj lahko švigne nazaj.** Ko se napetost v lesnih vlaknih sprosti, lahko grmičevje ali mladika oplazita upravljavca, ki posledično izgubi nadzor nad strojem.
- **Bodite še posebej pazljivi pri zaganju grmičevja in mladih dreves.** Drobne veje se lahko zataknejo v rezilo in vas oplazijo ali vržejo iz ravnotežja.
- **Vzdržujte nadzor nad strojem in se ne dotikajte rezalnika, rezalne nitke ali rezila ter drugih nevarnih gibljivih delov, ko se še premikajo.** Tako zmanjšate tveganje telesnih poškodb zaradi gibljivih delov.
- **Pri prenašanju stroja mora biti stroj izklopljen in stran od telesa.** Pravilno ravnanje s strojem zmanjša verjetnost nenamerne stika s premikajočim se rezalnikom, rezalno nitko ali rezilom.
- **Uporabljajte samo nadomestne rezalnike, rezalne nitke, rezalne glave in rezila, ki jih je določil proizvajalec.** Nepravilni nadomestni deli lahko povečajo nevarnost zloma in telesnih poškodb.
- **Pri odstranjevanju zagozdenega materiala ali servisiranju stroja se prepričajte, da je stikalo za vklop/izklop v izklopljenem položaju in akumulatorska baterija odstranjena.** Nepričakovani zagon stroja med odstranjevanjem zataknenega materiala ali med servisiranjem lahko privede do resnih telesnih poškodb.

Pregled pred vžigom

- Obvezno odstranite baterijo in tako preprečite neželeni zagon izdelka. Pred vzdrževanjem izdelka obvezno odstranite baterijo.

- Pred začetkom uporabe in po kakršnem koli trku preglejte izdelek in poiščite morebitne poškodbe ter jih po potrebi popravite.
- Preglejte delovno območje. Odstranite vse trde dele, na primer kamenje, razbito steklo, žebelje, jeklene žice, vrvi ipd., ki bi jih rezilo lahko izvrglo ali pa se lahko navijejo okrog rezila ali ščitnika.
- Preverite, ali je motor umazan ali počen. S krtačko z motorja odstranite travo in listje. Po potrebi uporabljajte rokavice.
- Prepričajte se, da je kosilna glava pravilno nameščena na obrezovalnik.
- Preverite, ali je izdelek v brezhibnem delovnem položaju. Preverite ali so vsi vijaki in maticе zatesnjeni.
- Preverite, ali sta kosilna glava in ščitnik rezalnega priključka nepoškodovana in brez razpok. Menjajte kosilno glavo ali ščitnik rezalnega priključka, če sta bila izpostavljena udarcem ali sta razpokana. Vedno uporabljajte ščitnik, priporočen za rezalni priključek, ki ga uporabljate. Glejte poglavje Tehnični podatki.
- Uporabnik izdelka mora poskrbeti, da v območju 15 metrov od delovnega mesta ni ljudi ali živali. Če sočasno v območju dela več uporabnikov, mora biti varnostna razdalja med njimi vsaj 15 metrov.
- Pred uporabo v celoti preglejte izdelek. Oglejte si urnik vzdrževanja.
- Uporabo lahko urejajo državni ali lokalni predpisi. Upošteвайте veljavne predpise.
- Izdelka ne uporabljajte, če so se spremenile njegove originalne specifikacije. Ne spreminjajte delov izdelka brez vnaprejšnje odobritve proizvajalca izdelka. Uporabljajte samo dele, ki jih je odobril proizvajalec. Zaradi neustreznega vzdrževanja lahko pride do poškodb ali smrti.
- Pred uporabo preverite izdelek. Glejte *Varnostne naprave na izdelku na strani 401 in Pregled izdelka na strani 396*. Ne uporabljajte izdelkov, ki so poškodovani ali ne delujejo pravilno. Izvajajte varnostne preglede in vzdrževalna dela ter upoštevajte servisna navodila, opisana v tem priročniku.
- Otroci se z izdelkom ne smejo igrati. Izdelka in/ali akumulatorja ne smejo uporabljati, vzdrževali ali popravljali otroci ali druge osebe, ki za to niso usposobljene. Starost uporabnika je morda določena z lokalnimi zakoni.
- Izdelek skladiščite v zaklenjenem prostoru, tako da otroci ali osebe, ki niso primerne za rokovanje z izdelkom, do izdelka ne morejo dostopati.
- Izdelek shranjujte izven dosega otrok.
- Nikoli ne smete spreminjati prvotne izvedbe izdelka brez predhodnega dovoljenja proizvajalca. Uporabljajte samo originalno dodatno opremo. Spremembe brez pooblastila in/ali neoriginalni deli lahko povzročijo resne poškodbe ali smrt uporabnika in drugih oseb.
- Navedena skupna vrednost vibracij je bila izmerjena v skladu s standardnim načinom preizkušanja in jo lahko uporabljate za medsebojno primerjavo orodij.
- Navedeno skupno vrednost vibracij lahko uporabljate tudi pri predhodni oceni izpostavljenosti.
- Emisije vibracij med dejansko uporabo električnega orodja se lahko razlikujejo od navedene skupne vrednosti, kar je odvisno od načina uporabe orodja. Upravljavci se morajo zaščititi z varnostnimi ukrepi, ki temeljijo na oceni izpostavljenosti pri dejanskih pogojih uporabe (pri čemer se upoštevajo vsi deli delovnega cikla, npr. poleg časa, ko je orodje sproženo, tudi čas, ko je orodje izklopljeno, in čas, ko deluje v prostem teku).

Vedno uporabljajte zdravo pamet

Vseh možnih situacij ni mogoče predvideti. Pri delu s strojem bodite vedno previdni in prisebni. Izogibajte se situacijam, ki se vam zdijo prezahtevne. Če po branju teh navodil še vedno niste prepričani o delovnih postopkih, se pred nadaljevanjem posvetujte s strokovnjakom.



OPOZORILO: Nikoli ne dovolite otrokom, da uporabljajo napravo ali da so v njeni bližini. Ker je zagon naprave zelo enostaven, jo lahko zaženejo tudi otroci, če jih ne nadzorujete. To lahko pomeni tveganje resne osebne poškodbe. Zaradi tega izklopite baterijo, ko naprave ne morete natančno nadzorovati.

Splošna varnostna navodila



OPOZORILO: Pred uporabo izdelka preberite navodila v povezavi z opozorili v nadaljevanju.

- Odstranite baterijo in tako preprečite neželeni zagon izdelka.
- Izdelek je nevarno orodje, če niste previdni ali če ga ne uporabljate pravilno. Ta izdelek lahko povzroči hude poškodbe oziroma smrt upravljavca ali drugih.

Opomba: Uporabo lahko ureja državna ali lokalna zakonodaja. Upošteвайте veljavne predpise.

Osebna zaščitna oprema



OPOZORILO: Pred uporabo izdelka preberite navodila v povezavi z opozorili v nadaljevanju.

- Pri uporabi izdelka vedno uporabljajte odobreno osebno zaščitno opremo. Osebna zaščitna oprema ne more popolnoma preprečiti poškodb, vendar v primeru nesreče omili posledice. Prodajalec naj vam pomaga izbrati primerno opremo.
- Uporabljajte odobreno zaščito za sluh.

(Sl. 19)

vprašajte prodajalca, kje je najbližja pooblaščen servisna delavnica.

- Uporabljajte odobreno zaščitno oči. Tudi če uporabljate vizir, morate vedno uporabljati tudi homologirana zaščitna očala. Homologirana zaščitna očala morajo biti skladna s standardom ANSI Z87.1 za ZDA ali s standardom EN 166 za države EU.

(Sl. 20)

- Po potrebi uporabite rokavice, npr. kadar pritrjujete, pregledujete ali čistite rezalno opremo.

(Sl. 21)

- Uporabljajte zaščitne škornje z ojačano konico in nestrsečim podplatom.

(Sl. 22)

- Uporabljajte oblačila iz trpežnih materialov. Vedno uporabljajte trpežne dolge hlače in dolge rokave. Ne uporabljajte ohlapnih oblačil, ki se lahko zataknejo za vejice ali veje. Ne nosite nakita, kratkih hlač ali sandalov. Ne hodite bos. Lase si varno spnite nad rameni.

- Opremo za prvo pomoč hranite v bližini.

(Sl. 23)

Varnostne naprave na izdelku



OPOZORILO: Pred uporabo izdelka preberite navodila v povezavi z opozorili v nadaljevanju.

V tem poglavju so opisane varnostne funkcije izdelka, njihov namen ter kako je stroj treba pregledovati in vzdrževati, da bo deloval pravilno. Glejte navodila v poglavju *Uvod na strani 396* za mesta delov na izdelku.

Življenjska doba izdelka se lahko zaradi nepravilnega vzdrževanja oziroma zaradi nestrokovnih popravil ali servisiranja skrajša, poveča pa se tudi nevarnost nesreč. Če potrebujete več informacij, se obrnite na najbližjega pooblaščenega servisnega trgovca.



OPOZORILO: Nikoli ne uporabljajte izdelka s poškodovanimi varnostnimi deli. Varnostno opremo stroja je treba pregledovati in vzdrževati v skladu z navodili, ki so podana v tem poglavju. Če izdelek ob pregledu ne izpolnjuje vseh opisanih pogojev, se nemudoma obrnite na pooblaščenega serviserja za popravilo.



POZOR: Vsa servisna dela in popravila na stroju zahtevajo posebno usposabljanje. To še posebej velja za varnostno opremo stroja. Če pri spodaj opisanem pregledu ugotovite, da kateri koli del stroja ne deluje tako, kot je opisano spodaj, se nemudoma obrnite na pooblaščen servisno delavnico. Pri nakupu vseh naših izdelkov vam jamčimo dostop do strokovnih popravil in servisa. Če stroja niste kupili v kateri od naših pooblaščenih servisnih prodajal,

Preverjanje tipkovnice

1. Pritisnite in pridržite gumb za vklop/izklop (A). (Sl. 24)
 - a) Izdelek je vklopljen, ko lučka LED (B) sveti.
 - b) Izdelek je izklopljen, ko lučka LED (B) ne sveti.
2. Če sveti ali utripa opozorilni indikator (C), glejte *Tipkovnica na strani 407*.

Preverjanje delovanja zaklepa ročice plina

Blokada sprožilca plina preprečuje neželeno sprožitev. Ko pritisnete blokado sprožilca plina (A), se sprožilec plina (B) sprosti. Če ročaj sprostite, se sprožilec plina in zaklep sprožilca plina vrmeta v izhodiščna položaja. (Sl. 25)

1. Ko je blokada sprožilca plina v izhodiščnem položaju, se prepričajte, da je sprožilec plina res blokiran. (Sl. 26)
2. Pritisnite ročico plina in se prepričajte, da se vrne nazaj v začetni položaj, ko jo sprostite. (Sl. 27)
3. Sprožilnik plina in zaklep sprožilnika plina se morata prosto premikati in povratna vzmet mora delovati pravilno. (Sl. 28)
4. Zaženite izdelek. Glejte *Zagon izdelka na strani 405*.
5. Uporabite polno moč.
6. Sprostite sprožilec plina in se prepričajte, da se rezalna dodatna oprema popolnoma ustavi.

Preverjanje ščitnika rezalnega priključka



OPOZORILO: Rezalnega priključka ne uporabljajte brez odobrenega in pravilno nameščenega ščitnika rezalnega priključka. Vedno uporabljajte priporočen ščitnik za nameščen rezalni priključek; glejte *Tehnični podatki na strani 408*. Če namestite pokvarjen ali napačen ščitnik rezalnega priključka, lahko pride do resnih telesnih poškodb.

Ščitnik rezalnega priključka preprečuje izmet predmetov v smer uporabnika. Preprečuje tudi poškodbe, do katerih bi prišlo, če bi se dotaknili rezalnega priključka.

1. Izklopite motor.
2. Vizualno preverite, da ni prisotnih poškodb, npr. razpok.
3. Če je ščitnik rezalnega priključka poškodovan, ga zamenjajte.

Rezalna oprema

Izberite ustrezno rezalno opremo in jo vzdržujte, da:

- omogočite najboljše rezanje,

- podaljšate življenjsko dobo rezalne opreme.



OPOZORILO: Uporabljajte samo priporočene rezalne priključke s ščitniki! Glejte *Odobren pribor na strani 410*. Za preverjanje pravega načina navijanja kosilne nitke in plastična rezila si oglejte navodila za rezalni priključek.



OPOZORILO: Poškodovan rezalni priključek povečuje nevarnost nesreč pri delu.



OPOZORILO: Pred deli na rezalnem priključku obvezno izklopote motor. Vrtil se namreč tudi po tem, ko sprostite ročico za plin. Pred deli na rezalnem priključku se prepričajte, da se je ta popolnoma zaustavil, nato pa iz izdelka odstranite akumulator.

Rezalni priključek



OPOZORILO: Kosilna nitka mora biti vedno trdno in enakomerno navita okrog koluta in tako preverite škodljive tresljaje.

(Sl. 29)

- Uporabljajte samo priporočene rezalne priključke.
- Pomembna je dolžina kosilne nitke. Daljša kosilna nitka zahteva večjo moč motorja kot krajša nitka z enakim premerom.
- Prepričajte se, da je rezilo na ščitniku rezalnega priključka brezhibno. Uporablja se za rezanje kosilne nitke na pravilno dolžino.
- Če želite podaljšati življenjsko dobo kosilne nitke, jo lahko za nekaj dni namočite v vodo.

Varna uporaba baterije



OPOZORILO: Pred uporabo izdelka preberite navodila v povezavi z opozorili v nadaljevanju.

- Uporabite samo serijo BLi in serijo baterij 40-B. Za več informacij si oglejte *Tehnični podatki na strani 408*. Baterija je šifrirana s programsko opremo.
- Serijo baterije 40-B, ki jih je mogoče polniti, in serijo BLi uporabljajte kot vir napajanja samo za ustrezne izdelke Husqvarna. Za preprečevanje poškodb baterije ne uporabljajte za napajanje drugih naprav.
- Nevarnost električnega udara. Poli baterije ne smejo priti v stik s ključi, kovanci, vijaki ali drugimi kovinskimi deli. To lahko povzroči kratek stik baterije.
- Ne uporabljajte baterij za enkratno uporabo.
- V zračne reže baterije ne vstavljajte predmetov.

- Baterije ne izpostavljajte neposredni sončni svetlobi, vročini ali odprtemu ognju. Baterija lahko povzroči opekline in/ali kemične opekline.
- Baterije ne izpostavljajte dežju in vlagi.
- Baterije ne izpostavljajte mikrovalovom in visokemu tlaku.
- Baterije ne poskušajte razstaviti ali odpreti.
- Če baterija pušča, pazite, da tekočina ne pride v stik s telesom ali očmi. Če ste se tekočine dotaknili, območje očistite z obilo vode in mila in poiščite zdravniško pomoč. Če pride tekočina v oči, ne drgnite oči, temveč jih spirajte z vodo vsaj 15 minut in poiščite zdravniško pomoč.
- Baterijo uporabljajte v okolju s temperaturami med $-10\text{ }^{\circ}\text{C}$ ($14\text{ }^{\circ}\text{F}$) in $40\text{ }^{\circ}\text{C}$ ($114\text{ }^{\circ}\text{F}$).
- Baterije ali polnilnika nikoli ne čistite z vodo. Glejte, *Čiščenje izdelka, baterije in polnilnika baterije na strani 407*.
- Ne uporabljajte poškodovane ali pokvarjene baterije.
- Baterije med skladiščenjem ne smejo priti v stik s kovinskimi predmeti, na primer žebli, vijaki ali nakitom.
- Baterijo hranite zunaj dosega otrok.

Varna uporaba polnilnika baterije



OPOZORILO: Pred uporabo izdelka preberite navodila v povezavi z opozorili v nadaljevanju.

- Nevarnost električnega udara ali kratkega stika, če ne upoštevate varnostnih navodil.
- Ne uporabljajte polnilnikov, ki niso bili priloženi izdelku. Za polnjenje serije nadomestnih baterij serije BLi in 40-B uporabljajte samo polnilnike QC80 in 40-C80.
- Polnilnika baterije ne poskušajte razstaviti.
- Ne uporabljajte poškodovanega ali pokvarjenega polnilnika baterije.
- Baterijskega polnilnika ne dvigujte za napajalni kabel. Polnilnik baterije odklopote iz stenske vtičnice tako, da povlečete vtič. Nikoli ne vlecite za napajalni kabel.
- Pazite, da kabli in kabelski podaljški ne pridejo v stik z vodo, oljem in ostrimi robovi. Kabel ne sme biti zataknen med stavbno pohištvo, na primer vrata ali za ograje, ali podobne predmete.
- Baterijskega polnilnika ne uporabljajte v bližini gorljivih materialov ali materialov, ki povzročajo korozijo. Pazite, da polnilnik baterije ni pokrit. V primeru dima ali požara izvlecite vtič polnilnika baterije.
- Baterijo polnite le v zaprtih prostorih z dobrim prezračevanjem in zaščito pred neposrednim soncem. Baterije ne polnite na prostem. Baterijske enote ne polnite v stiku z vodo ali vlago.
- Polnilnik baterije uporabljajte samo v okolju s temperaturami med $5\text{ }^{\circ}\text{C}$ ($41\text{ }^{\circ}\text{F}$) in $40\text{ }^{\circ}\text{C}$ ($104\text{ }^{\circ}\text{F}$).

Polnilnik uporabljajte v dobro prezračenem, suhem in brezprašnem okolju.

- V hladilne reže polnilnika baterije ne vstavljajte predmetov.
- Poli polnilnika baterije se ne smejo dotikati kovinskih predmetov, ker lahko to povzroči kratki stik.
- Uporabljajte nepoškodovane in odobrene omrežne vtičnice. Prepričajte se, da kabel polnilnika baterije ni poškodovan. V primeru uporabe podaljškov se prepričajte, da ti niso poškodovani.
- V baterijskem polnilniku ne polnite baterij za enkratno uporabo.

Varnostna navodila za vzdrževanje



OPOZORILO: Pred vzdrževanjem izdelka preberite naslednja opozorilna navodila.

- Pred vzdrževanjem, drugimi pregledi ali sestavljanjem izdelka odstranite baterijo.
- Uporabnik sme sam izvajati le tista vzdrževalna in servisna dela, ki so navedena v teh navodilih za uporabo. Za obsežnejša vzdrževalna in servisna dela se obrnite na servisnega zastopnika.
- Baterije ali polnilnika nikoli ne čistite z vodo. Močno čistilo lahko poškoduje plastiko.
- Če ne vzdržujete izdelka, skrajšate njegovo življenjsko dobo in povečate nevarnost nesreč.
- Za servisiranje in popravila izdelka, zlasti za varnostne naprave na izdelku, je potrebno posebno usposabljanje. Če po izvedenem vzdrževanju niso vsa preverjanja uspešno opravljena, se obrnite na servisnega zastopnika. Zagotavljamo vam, da so za vaš izdelek na voljo strokovna popravila in servisne storitve.
- Uporabljajte samo originalne nadomestne dele.

Montaža

Uvod



OPOZORILO: Preden začnete sestavljati izdelek, morate prebrati in razumeti poglavje o varnosti.

Namestitev ščitnika rezalnega priključka

1. Ščitnik rezalnega priključka pristonite ob ohišje motorja. (Sl. 30)
2. Preverite zaklepne kavlje. (Sl. 31)
3. Zategnite vijak. Uporabite kombiniran ključ. (Sl. 32)
4. Zategnite vijak.

Za menjavo rezalnega priključka

1. Kombinirani ključ vstavite v odprtino in tako blokirajte gred. (Sl. 33)
2. Rezalni priključek obrnite in previdno potisnite kombinirani ključ, dokler izhodna gred ni blokirana.
3. Rezalni priključek za odstranitev obrnite v smeri vrtenja urinih kazalcev. Pred namestitvijo rezalnega priključka se prepričajte, da je pogonski disk na mestu. (Sl. 34)
4. Nov rezalni priključek namestite v obratnem zaporedju. (Sl. 35) (Sl. 36)

Opomba: Preden namestitvijo rezalnega priključka se prepričajte, da je pogonski disk pravilno nameščen.

Namestitev ščitnika za rastline

1. Ščitnik za rastline vstavite v odprtine na ohišju motorja. (Sl. 37)
2. Pazite, da se bo lahko ščitnik za rastline prosto premikal naprej in nazaj. (Sl. 38)

Namestitev okroglega ročaja

1. Vstavite vijak v okrogli ročaj. (Sl. 39)
2. Okrogli ročaj namestite na nastavek na gredi.
3. Zategnite vijake.
4. Okrogli ročaj premaknite v pravi položaj. Glejte razdelek *Namestitev okroglega ročaja in teleskopske gredi na strani 405*.

Namestitev polnilnika akumulatorskih baterij (40-C80) na steno



POZOR: Pri namestitvi baterijskega polnilnika na steno ne uporabljajte električnih vijačnikov. Električni vijačniki lahko poškodujejo baterijski polnilnik.

1. Z 2 vijakoma (A) na steno namestite baterijski polnilnik. Po potrebi uporabite stensko vtičnico (B). (Sl. 40)
2. Namestite 2 čepka za luknje vijakov (C).
3. Napajalni kabel (D) baterijskega polnilnika priključite v primerno glavno omrežno vtičnico.

Delovanje

Uvod



OPOZORILO: Preden začnete uporabljati izdelek, morate prebrati in razumeti poglavje o varnosti.

Pred uporabo izdelka

- Preglejte delovno območje, da se seznanite z vrsto terena. Preverite naklon terena in se seznanite z morebitnimi ovirami, na primer kamenjem, vejami in jarki.
- Opravite splošni pregled izdelka.
- Opravite varnostne preglede, vzdrževanje in servisiranje, ki so navedeni v tem priročniku.
- Preverite, ali je motor umazan ali ima razpoke. S krtačo z motorja odstranite travo in listje. Po potrebi uporabite rokavice.
- Preverite, ali sta kosilna glava in ščitnik rezalnega priključka poškodovana ali razpokana. Če sta kosilna glava in ščitnik rezalnega priključka udarjena ali razpokana, ju zamenjajte.
- Prepričajte se, da so vse matice in vsi vijaki dobro priviti.
- Pred začetkom uporabe izdelka se prepričajte, da so vsi pokrovi, ščitniki, ročaji in rezalna oprema pravilno nameščeni in da niso poškodovani.

Akumulatorska baterija



OPOZORILO: Preden začnete uporabljati baterijo, morate prebrati in razumeti poglavje o varnosti. Preberite in razumite tudi navodila za uporabo, ki so priložena bateriji in polnilniku.

Baterijo in polnilnik baterije shranjujte v prostoru z ustrežno temperaturo.

	Temperatura okolice
Delovanje izdelka	-5–40 °C/23–104 °F
Polnjenje baterije	5–40 °C/41–104 °F

Stanje baterije

Na zaslonu je prikazana napolnjenost baterije in podatki o morebitnih težavah z baterijo.

(Sl. 41)

Indikator LED	Stanje baterije (napolnjenost)	
	BLi10, BLi20	40-B70, 40-B140
Svetijo 4 indikatorji LED	Ni navedeno	Baterija je napolnjena med 76 in 100 %.
Svetijo 3 indikatorji LED	Baterija je napolnjena med 76 in 100 %.	Baterija je napolnjena med 51 in 75 %.
Svetijo 2 indikatorji LED	Baterija je napolnjena med 51 in 75 %.	Baterija je napolnjena med 26 in 50 %.
Sveti 1 indikator LED	Baterija je napolnjena med 26 in 50 %.	Baterija je napolnjena med 6 in 25 %.
1 indikator LED utripa	Baterija je napolnjena med 0 in 25 %.	Baterija je napolnjena med 0 in 5 %.

Polnjenje akumulatorja

Baterijo pred prvo uporabo napolnite. Nova baterija je napolnjena samo 30-odstotno.



POZOR: Baterijski polnilnik priklonite na vtičnico z napetostjo in frekvenco, ki sta navedeni na tipski ploščici.

Če temperatura baterije presega 50 °C/122 °F, se baterija ne bo polnila.

1. Napajalni kabel priključite na polnilnik akumulatorske baterije.
2. Priključite baterijski polnilnik v ozemljeno vtičnico. Indikator LED za polnjenje enkrat utripne. (Sl. 42)
3. Baterijo priključite na baterijski polnilnik. Zasveti indikator polnjenja. Akumulator polnite največ 24 ur. (Sl. 43)

4. Pritisnite gumb stanja baterije. Baterija je popolnoma napolnjena, če zasvetijo vsi indikatorji.
5. Izvlecite napajalni priključek, da odklopite baterijski polnilnik iz električne vtičnice. Nikoli ne vlecite za napajalni kabel.
6. Akumulator odstranite iz polnilnika.

Vstavitve baterije v izdelek



OPOZORILO: Izdelek uporabljajte samo z originalno baterijo Husqvarna.

1. Baterijo napolnite do konca.
2. Potisnite baterijo v držalo baterije v izdelku. Baterija se zaskoči, ko slišite klik. (Sl. 44)



POZOR: Če baterije ni mogoče preprosto potisniti v držalo baterije, pomeni, da baterija ni pravilno nameščena. Izdelek se lahko tako poškoduje.

Zagon izdelka

1. Pritisnite in pridržite gumb za vklop/izklop, dokler ne zasveti zelena lučka LED. (Sl. 45)
2. Pritisnite blokado sprožilca plina in sprožilec plina. Rezalna oprema se začne vrteti.

Namestitev okroglega ročaja in teleskopske gredi

1. Sprostite zaporni ročaj in nastavite okrogli ročaj na pravi položaj. (Sl. 46)
2. Zaprite zaklepno ročico.
3. Popustite ročico na gredi. (Sl. 47)
4. Nastavite primerno dolžino na gredi. Prepričajte se, da na gredi vidite trikotnik. (Sl. 48)
5. Zaprite ročico in privijte vijak.

Opomba: Okroglega ročaja ne namestite na opozorilne nalepke na gredi.

Uporaba funkcije SavE

Ta izdelek ima funkcijo varčevanja z energijo, SavE.

Opomba: Funkcija SavE ne zmanjša zmogljivosti rezanja izdelka.

1. Na tipkovnici pritisnite gumb SavE.
2. Prepričajte se, da sveti zeleni indikator LED.
3. Znova pritisnite gumb SavE za izklop funkcije. Zelen indikator LED preneha svetiti. (Sl. 49)

Funkcija samodejnega izklopa

Izdelek ima funkcijo samodejnega izklopa, ki izdelek zaustavi, če se ta ne uporablja. Zelena lučka LED, ki prikazuje stanje vklopa/izklopa, preneha svetiti in izdelek se po 180 sekundah izklopi.

Uporaba izdelka

Košenje trave

1. Pri košnji trave morajo biti plastična rezila ali kosilne nitke vedno vzporedne s tlemi. (Sl. 50)
2. Glave Tri-Cut ali kosilne glave ne pritiskajte ob tla. Izdelek se lahko tako poškoduje.

Opomba: Nizke temperature, blizu 0° C, lahko povzročijo zlom rezila ali kosilne nitke.

3. Pri košnji izdelek premikajte iz ene strani na drugo. (Sl. 51)

Opomba: Ne uporabljajte izdelka s poškodovanim rezalnim priključkom. Rezalni priključek, ki je poškodovan, lahko povzroči neravnovesje, kar lahko poškoduje izdelek.

Pometanje trave

Zračni tok iz vrtečih plastičnih rezil ali kosilne nitke je mogoče uporabiti za izpihovanje trave z določenega območja.

1. Kosilno glavo, plastična rezila ali kosilno nitko držite vzporedno tik nad tlemi.
2. Aktivirajte polno hitrost.
3. Rezalni priključek premikajte od ene strani na drugo in tako odpihnite travo.



OPOZORILO: Očistite pokrov rezalnega priključka vsakič, ko nameščate nova plastična rezila ali kosilno nitko, in tako preprečite neravnovesje in vibracije pri ročajih. Preglejte tudi druge dele rezalnega priključka in jih po potrebi očistite.

Za košnjo v bližini predmetov

1. Ščitnik za rastline povlecite navzdol. (Sl. 52)
2. Z uporabo ščitnika za rastline se lahko izognete poškodbam drugih predmetov. (Sl. 53)

Izklop izdelka

1. Sprostite sprožilec plina in zaklep sprožilca plina.
2. Pritisnite in pridržite gumb za vklop/izklop, dokler ne zasveti zelena lučka LED.
3. Pritisnite gumba za sprostitvev na bateriji in baterijo vzemite iz izdelka. (Sl. 54)

Za zamenjavo plastičnih rezil ali kosilne nitke

Glejte zadnje strani navodil za uporabo.

Vzdrževanje

Uvod



OPOZORILO: Pred izvajanjem vzdrževalnih del na izdelku morate prebrati in razumeti poglavje o varnosti.

V nadaljevanju je naveden seznam vzdrževalnih korakov, ki jih je treba opraviti pri izdelku. Za dodatne informacije glejte *Pregled izdelka na strani 396*.

Urnik vzdrževanja



OPOZORILO: Pred vzdrževanjem odstranite akumulator.

Vzdrževanje	Dnevno	Teden- sko	Mesečno
Zunanje dele izdelka očistite s suho krpo. Ne uporabljajte vode.	X		
Preverite pravilno delovanje in nepoškodovanost gumba za vklop in izklop.	X		
Z varnostnega vidika se prepričajte, da vklopni sprožilnik in zaklep vklopnega sprožilnika delujeta pravilno.	X		
Ročaji mora jo biti suhi in čisti.	X		
Prepričajte se, da ščitnik rezalnega priključka ni poškodovan. Če je ščitnik rezalnega priključka poškodovan, ga zamenjajte.	X		
Prepričajte se, da vzvod ali ročaj nista poškodovana ter sta pravilno pritrjena.	X		
Izvedite pregled zaklepnega mehanizma teleskopske gredi. Glejte <i>Za pregled zaklepnega mehanizma teleskopske gredi na strani 407</i> .	X		
Preverite polnilnik akumulatorja in se prepričajte, da deluje pravilno ter ni poškodovan.	X		
Baterija ne sme biti poškodovana.	X		
Baterija mora biti napolnjena.	X		
Prepričajte se, da polnilnik baterije ni poškodovan.	X		
Prepričajte se, da so zunanji vijaki in matice dobro priviti.		X	
Preverite, ali gumba za sprostitev na bateriji delujeta pravilno in omogočata pravi zaklep baterije v izdelek.		X	
Če je prisotna mast v navitju kosilne glave, opravite pregled.		X	
Očistite in preverite spoje med akumulatorjem in izdelkom.			X
Očistite in preverite priključek med akumulatorjem in polnilnikom akumulatorja.			X

Pregled baterije in polnilnika baterije

1. Preverite, ali je baterija poškodovana, na primer razpokana.
2. Preverite, ali je polnilnik baterije poškodovan, na primer razpokan.
3. Prepričajte se, da povezovalni kabel polnilnika baterije ni poškodovan in nima razpok.

Čiščenje izdelka, baterije in polnilnika baterije

1. Izdelek po uporabi očistite s suho krpo.
2. Baterijo in polnilnik baterije očistite s suho krpo. Vodila baterije morajo biti vedno čista.
3. Poli na bateriji in polnilniku baterije morajo biti čisti, ko vstavite baterijo v polnilnik ali izdelek.

Preglejte in zamenjajte glavo Tri-Cut

1. Preverite, ali je glava Tri-Cut poškodovana ali razpokana.
2. Odstranite glavo Tri-Cut. *Glejte "Za odstranjevanje glave Tri-Cut na zadnji strani navodil za uporabo."*
3. Sestavite glavo Tri-Cut. *Glejte "Za menjavo rezalnega priključka na strani 403."*

Za pregled zaklepnega mehanizma teleskopske gredi

1. Izvedite pregled zaklepnega mehanizma teleskopske gredi.
2. Prilagodite zatezno silo. (Sl. 55)

Odpravljanje težav

Tipkovnica

Zaslon LED	Možne napake	Možne rešitve
Indikator LED za napako utripa.	Preobremenitev	Rezalni priključek se ne more prosto premikati. Sprostite ga.
	Odstopanje temperature	Počakajte, da se izdelek ohladi.
Izdelka ni mogoče zagnati.	Sočasno pritisnete sprožilec plina in startni gumb.	Sprostite sprožilec plina in zaustavite izdelek.
Indikator LED za napako sveti rdeče.	Izdelek je treba servisirati.	Obrnite se na servisnega zastopnika.

Baterija

Indikatorji LED	Možne napake	Možen ukrep
Zeleni indikator LED utripa	Nizka napetost baterije.	Napolnite baterijo.
Indikator LED za napako utripa.	Odstopanje temperature.	Baterijo uporabljajte v okolju s temperaturami med -10°C (14°F) in 40°C (104°F).
	Previsoka napetost.	Omrežna napetost mora biti skladna z vrednostjo na tipski ploščici na izdelku. Odstranite baterijo iz polnilnika.
Indikator LED za napako sveti.	Prevelika razlika med celicami (1 V).	Obrnite se na servisnega zastopnika.

Polnilnik baterije

Težava	Možne napake	Možna rešitev
Indikator polnjenja sveti rdeče.	Trajna napaka polnilnika baterije.	Obrnite se na svojega prodajalca.

Težava	Možne napake	Možna rešitev
Indikator polnjenja utripa zeleno.	Odstopanje temperature; baterija je premrzla ali prevroča za uporabo ali polnjenje.	Počakajte, da se baterija ohladi ali ogreje. Ko bo temperatura baterije ustrezna, jo lahko spet uporabljate ali polnite. Baterijski polnilnik uporabljajte v okolju s temperaturami med 5 °C in 40 °C (41–104 °F).
Indikator polnjenja utripa rdeče.	Pokvarjena baterija.	Obrnite se na svojega prodajalca.

Transport skladiščenje in odstranitev

Prevoz in skladiščenje

- Priložene litij-ionske baterije so skladne z zahtevami zakonodaje o nevarnem blagu.
- Pri transportu, tudi če ga izvaja tretja oseba ali posrednik, je treba upoštevati posebna navodila na embalaži in nalepkah.
- Pred pošiljanjem izdelka se posvetujte z osebo, ki je posebej usposobljena za nevarne snovi. Upoštevajte vse veljavne nacionalne predpise.
- Ob vstavljanju baterije v paket prelepite izpostavljene kontakte. Baterijo vstavite v paket tako, da se ne more premikati.
- Pri skladiščenju ali prevozu vedno odstranite baterijo.
- Baterijo in polnilnik baterije hranite v suhem prostoru, kjer ni vlage in zmrzali.
- Baterije ne shranjujte v prostoru, v katerem je lahko prisotna statična elektrika. Baterije ne shranjujte v kovinski škatli.
- Baterijo shranite v prostor s temperaturami med 5 in 25 °C (41–77°F), v katerem ne sme biti izpostavljena neposredni sončni svetlobi.
- Polnilnik baterije shranite v prostor s temperaturami med 5 in 45 °C (41–113 °F) tako, da ne bo izpostavljen neposredni sončni svetlobi.
- Polnilnik baterije uporabljajte samo v okolju s temperaturami od 5 do 40 °C (41–104 °F).
- Pred dolgotrajnejšim skladiščenjem mora biti baterija napolnjena med 30 % in 50 %.
- Polnilnik baterije shranite v zaprt in suh prostor.
- Med shranjevanjem baterija ne sme biti v bližini polnilnika. Otroci in druge nepooblaščen osebe se ne smejo dotikati opreme. Oprema mora biti shranjena v prostoru, ki ga je mogoče zakleniti.
- Pred dolgotrajnejšim skladiščenjem izdelek očistite in opravite popoln servis.
- Pred prevozom in skladiščenjem na izdelek namestite transportno zaščito, da preprečite telesne poškodbe ali škodo na izdelku.
- Med prevozom varno pritrdite izdelek.

Odstranitev baterije, polnilnika baterije in izdelka

Simboli na izdelku ali njegovi embalaži opozarjajo, da izdelka ne smete obravnavati kot gospodinjstvega odpadka. Treba ga je reciklirati v zbirnem centru za reciklažo električne in elektronske opreme. Tako se pomaga preprečiti škodovanje okolju in ogrožanje zdravja ljudi.

Za več informacij o recikliranju svojega izdelka se obrnite na lokalne oblasti, službo za gospodinjstvega odpadke ali prodajalca.

Tehnični podatki

Tehnični podatki

	215IL-TC
Motor	
Tip motorja	BLDC
Hitrost pogonske gredi, vrt/min	6800
Širina rezanja, mm	255

	215IL-TC
Teža	
Teža brez akumulatorja v kg	2,9
Emisije hrupa ⁷⁰	
Raven zvočne moči, izmerjena v dB (A)	90,8
Raven zvočne moči, zajamčena L _{WA} dB (A)	93
Ravni hrupa ⁷¹	
Ekvivalentna raven zvočnega tlaka pri uporabnikovem ušesu, merjena po IEC 62841-4-4, dB (A)	81,3
Ravni vibracij ⁷²	
Ravni vibracij pri ročajih, izmerjene v skladu s standardom IEC 62841-4-4, m/s ²	3,0/2,7
S kosilno glavo (originalno), spredaj/zadaj.	

Odobrene baterije za izdelek

Baterija	BLi10		BLi20		40-B70	40-B140
Vrsta	Litij-ionska		Litij-ionska		Litij-ionska	Litij-ionska
Zmogljivost akumulatorja v Ah	Oglejte si nalepko s podatki o zmogljivosti baterije		Oglejte si nalepko s podatki o zmogljivosti baterije		Oglejte si nalepko s podatki o zmogljivosti baterije	Oglejte si nalepko s podatki o zmogljivosti baterije
Nazivna napetost, V	36	36,5	36	36,5	36	36
Teža, lb/kg	0,7	0,7	1,2	1,2	0,8	1,25

Odobreni polnilniki baterij za izdelek

Baterjski polnilnik	QC80	40-C80
Omrežna napetost, V	100–240	100–240
Frekvenca, Hz	50-60	50-60
Moč, W	100	72
Izhodna napetost, V DC/ moč, A	36/2	43/1,6

⁷⁰ Emisije hrupa v okolje, merjene kot moč zvoka (L_{WA}), v skladu z direktivo ES 2000/14/ES. Razlika med zajamčeno in izmerjeno ravno zvočne moči je v tem, da zajamčena raven zvočne moči, v skladu z direktivo 2000/14/ES, vključuje tudi razpršitev izmerjenih vrednosti in razlike med različnimi izdelki istega modela.

⁷¹ Podatki za ekvivalentno raven zvočnega tlaka za napravo imajo tipično statistično razpršitev (standardni odklon) v vrednosti 3 dB (A).

⁷² Zabeleženi podatki za raven vibracij imajo tipično statistično razpršitev (standardni odklon) 1,5 m/s².

Dodatki

Odobren pribor

Odobren pribor	Vrsta	Ščitnik rezalnega priključka, št. izdelka
Kosilna glava	R25B (2-milimetrska nitka)	529 96 69-01
Kosilna glava	Glava Tri-Cut B (255 mm)	529 96 69-01

Izjava o skladnosti

Izjava EU o skladnosti

Mi, **Husqvarna AB**, SE--561 82 Huskvarna, Švedska,
tel.: +46-36-146500, izjavljamo na lastno odgovornost,
da je izdelek:

Opis	Baterijski obrezovalniki trave
Znamka	Husqvarna
Vrsta/model	215iL-TC
Identifikacija	Serijske številke od letnika 2025 dalje

v celoti skladen z naslednjimi direktivami in uredbami
EU:

Direktiva/uredba	Opis
2006/42/ES	"o strojih"
2014/30/EU	"o elektromagnetni združljivosti"
2000/14/ES	"o emisijah hrupa v okolico"
2011/65/EU	"o omejevanju uporabe nekaterih nevarnih snovi v električni in elektronski opremi"

in so pri tem v veljavi naslednji standardi in/ali
tehnične specifikacije: EN 62841-1:2015+A11:2022,
IEC 62841-4-4:2020, EN ISO 12100:2010, EN
IEC 63000:2018, EN IEC 55014-1:2021; EN IEC
55014-2:2021.

Priglašeni organ: 0036 TÜV SÜD Industrie Service
GmbH, Westendstraße199,80686 München,Germany je
potrdil skladnost z direktivo Sveta 2000/14/ES; postopki
ugotavljanja skladnosti: Priloga VI.

Za informacije o emisijah hrupa glejte poglavje *Tehnični
podatki na strani 408*.

Huskvarna, 2025-01-10



Claes Losdal, Vodja oddelka za raziskave in razvoj,
Husqvarna AB

Odgovorni za tehnično dokumentacijo



Sadržaj

Uvod.....	412	Transport, skladištenje i odlaganje.....	424
Bezbednost.....	413	Tehnički podaci.....	425
Sklapanje.....	419	Dodaci.....	426
Rukovanje.....	420	Deklaracija o usaglašenosti.....	427
Održavanje.....	422	Appendix	478
Rešavanje problema.....	423		

Uvod

Opis proizvoda

Husqvarna 215iL-TC je akumulatorski trimmer za travu sa elektromotorom.

Neprestano radimo na povećanju bezbednosti i efikasnosti rada. Obratite se serviseru za više informacija.

Namena

Proizvod se upotrebljava s nemetalnim plastičnim reznim listovima. Nemojte koristiti proizvod za druge

zadatke osim skraćivanja korova, trave ili druge meke vegetacije.

Napomena: Državni propisi mogu da definišu ograničenja pri radu proizvoda.

Koristite proizvod samo sa opremom koja je odobrena od strane proizvođača. Pogledajte *Dodaci na stranici 426*.

Pregled proizvoda

(Sl. 1)

1. Glava trimera Tri-Cut
2. Štitnik priključka za košenje
3. Osovina
4. Podešavanje osovine (teleskopske)
5. Kružna drška
6. Tastatura
7. Indikator upozorenja za tastaturu
8. Dugme za pokretanje/zaustavljanje
9. Dugme SavE
10. Obarač gasa
11. Zaključavanje obarača gasa
12. Indikator napajanja i upozorenja
13. Priključak
14. Punjač baterije 40-C80
15. Štitnik za biljke
16. Indikator upozorenja baterije
17. Status baterije
18. Dugme indikatora baterije
19. Dugme za otpuštanje baterije
20. Baterija
21. Kombinovani alat
22. Pogonski disk
23. Korisničko uputstvo

smrt rukovaoca ili drugih osoba. Budite pažljivi i koristite proizvod na pravilan način.

(Sl. 3)

Pre korišćenja pažljivo pročitajte korisničko uputstvo i uverite se da razumete njegov sadržaj.

(Sl. 4)

Stavite zaštitu za oči i uši.

(Sl. 5)

Nemojte izlagati kiši.

(Sl. 6)

Nalepnica za emisiju buke u okruženje je u skladu sa direktivama i propisima EU (uključujući zakonodavstvo Novog Južnog Velsa) i UK. Podaci o emisiji su navedeni na nalepnici mašine i u poglavlju Tehnički podaci. Primenljivo samo kada je proizvod opremljen trimi niti.

(Sl. 7)

Pazite se izbačenih predmeta.

(Sl. 8)

Iskopčajte bateriju pre radova na održavanju.

(Sl. 9)

Ovaj proizvod ili pakovanje ne treba tretirati kao kućni otpad. Reciklirajte ga na lokaciji za recikliranje električne i elektronske opreme.

Simboli na proizvodu

(Sl. 2) **UPOZORENJE:** Ovaj proizvod može biti opasan i prouzrokovati teške povrede ili

(Sl. 10) Proizvod je usaglašen sa važećim direktivama EU.

(Sl. 12) Jednosmerna struja.

(Sl. 11) Proizvod je usaglašen sa važećim direktivama UK.

(Sl. 16) Udaljenost između mašine i osoba u blizini treba da bude najmanje 15 m (50 stopa).

(Sl. 17) Nemojte koristiti metalne noževe.

yyyywwxxxx

Pločica tipa ili lasersko štampanje prikazuje serijski broj. **yyyy** je godina proizvodnje, a **ww** je nedelja proizvodnje.

Simboli na akumulatoru i/ili punjaču akumulatora

(Sl. 18) Reciklirajte ovaj proizvod u pogonu za recikliranje električne i elektronske opreme. (Odnosi se samo na Evropu)

(Sl. 13) Sigurnosni transformator.

(Sl. 14) Koristite i čuvajte punjač akumulatora samo u zatvorenom prostoru.

(Sl. 15) Dvostruka izolacija.

Oštećenje proizvoda

Nismo odgovorni za oštećenja proizvoda u sledećim slučajevima:

- proizvod je popravljen na pogrešan način
- proizvod je popravljen korišćenjem delova koji nisu napravljeni ili odobreni od strane proizvođača
- proizvod ima opremu koja ne potiče ili nije odobrena od strane proizvođača
- proizvod nije popravljen u ovlašćenom servisnom centru ili od strane ovlašćenog stručnjaka

Bezbednost

Bezbednosne definicije

Upozorenja, mere opreza i napomene se koriste da ukažu na naročito važne delove korisničkog uputstva.



UPOZORENJE: Koristi se ako, usled nepoštovanja uputstva, postoji rizik od nastanka telesnih povreda ili smrti kod rukovaoca ili prisutnih osoba.



OPREZ: Koristi se ako, usled nepoštovanja uputstva, postoji rizik od nastanka oštećenja na proizvodu, drugim materijalima ili susednim oblastima.

Napomena: Koristi se za pružanje više informacija koje su neophodne u datoj situaciji.

Opšte bezbednosne napomene za mašine



UPOZORENJE: Pročitajte sva bezbednosna upozorenja, uputstva, ilustracije i specifikacije koje su obezbeđene uz ovu mašinu. *Nepridržavanje svih*

uputstava navedenih u nastavku može da dovede do strujnog udara, požara i/ili teških telesnih povreda.

Sačuvajte sve bezbednosne napomene i instrukcije za kasnije.

Napomena: *Pojam „mašina“ koji se koristi u bezbednosnim napomenama odnosi se na mašinu koji se napaja sa strujne mreže (putem kabla) ili onu koji radi na baterijski pogon (bez kabla).*

Bezbednost u radnoj oblasti

- **Držite radnu oblast čistom i dobro osvetljenom.** U neurednim ili mračnim oblastima nezgode se češće dešavaju.
- **Nemojte da koristite mašinu u oblastima u kojima postoji opasnost od eksplozije odnosno u onim oblastima u kojima su prisutne zapaljive tečnosti, gasovi ili prašina.** Mašine mogu varničenjem da zapale prašinu ili isparenja.
- **Pobrinite se da se tokom upotrebe mašine deca i druge osobe nalaze na bezbednoj udaljenosti.** Odvlačenje pažnje može dovesti do gubitka kontrole nad uređajem.

Električna bezbednost

- **Utikač za priključenje elektroalata u struju mora da odgovara utičnici. Nikad nemojte ni na koji način da modifikujete utikač. Nemojte da koristite adaptere pri radu sa uzemljenim mašinama.** Nemodifikovani utikači i odgovarajuće utičnice smanjuju rizik od strujnog udara.
- **Izbegavajte telesni kontakt sa uzemljenim površinama kao što su cevi, radijatori, šporeti i frižideri.** Ako vam je telo uzemljeno, postoji povišeni rizik od strujnog udara.
- **Elektroalate nemojte izlagati kiši ili vlazi.** Ako voda prodre u mašinu, povećaće se opasnost od strujnog udara.
- **Nemojte nepropisno da postupate sa kablom. Ne koristite kabl za nošenje, vuču ili isključivanje proizvoda. Držite kabl dalje od izvora toplote, ulja, oštrih ivica i pokretnih delova.** Oštećeni ili upleteni kabl povećava rizik od strujnog udara.
- **Kad elektroalatom radite na otvorenom koristite samo produžne kablove koji su prikladni i za rad na otvorenom.** Korišćenje kabla koji je pogodan za upotrebu na otvorenom smanjuje rizik od strujnog udara.
- **Ako ne može da se izbegne korišćenje proizvoda na vlažnom mestu, koristite napajanje preko zaštitnog uređaja diferencijalne struje (RCD).** Upotreba RCD-a smanjuje rizik od strujnog udara.

Lična bezbednost

- **Budite koncentrisani, pazite na ono što radite i ponašajte se oprezno kada radite elektroalatom. Elektroalat ne koristite ako ste umorni ili pod uticajem droga, alkohola ili lekova.** Trenutak nepažnje prilikom korišćenja mašine može da dovede do teških telesnih povreda.
- **Koristite ličnu zaštitnu opremu. Uvek nosite zaštitu za oči.** Zaštitna oprema poput zaštitne maske od prašine, sigurnosnih neklizajućih cipela, kacige ili zaštitne za sluh koja se koristi u odgovarajućim uslovima smanjuje telesne povrede.
- **Sprečite slučajno pokretanje. Pobrinite se da je prekidač u isključenom položaju (OFF) pre priključivanja na izvor napajanja i/ili bateriju, podizanja ili nošenja alata.** Nošenje mašine sa prstom na prekidaču ili napajanje mašine sa prekidačem u položaju za uključivanje može da dovede do nezgode.
- **Pre nego što uključite elektroalat, uklonite alate za podešavanje uređaja i ključeve za odvijanje.** Alat ili ključ, ako se nađu u rotirajućem delu mašine, mogu izazvati povrede.
- **Nemojte se preterano naginjati. Uvek budite oslonjeni na obe noge i pazite na ravnotežu.** To će vam omogućiti bolju kontrolu nad mašinom u nepredviđenim situacijama.
- **Budite propisno odeveni. Nemojte nositi široku odeću niti nakit. Vodite računa da vam kosa i odeća ne dođu u dodir sa pokretnim delovima.**

Pokretni delovi uređaja mogu da zahvate delove široke odeće, nakit ili dugu kosu.

- **Ukoliko su obezbeđeni uređaji za povezivanje aparata za izbacivanje ili sakupljanje prašine, proverite da li su povezani i da li se pravilno koriste.** Korišćenjem usisivača za prašinu smanjuje se opasnost od oštećenja koja mogu nastati zbog delovanja prašine.
- **Nemojte dozvoliti da vam iskustvo koje ste stekli kroz čestu upotrebu mašine stvori osećaj samopouzdanja i da se ne pridržavate principa u vezi sa bezbednošću.** Nemarno rukovanje može u trenutku dovesti do teških povreda.

Upotreba i održavanje mašine

- **Ne silite mašinu. Koristite mašinu koja odgovara nameni.** Adekvatna mašina će bolje i sigurnije obaviti posao u meri za koju je napravljena.
- **Ne koristite mašinu ako je prekidač ne uključuje ili ne isključuje.** Svaka mašina koja ne može da se kontroliše putem prekidača je opasna i mora da se popravi.
- **Isključite utikač iz izvora električne energije i/ili uklonite akumulator, ako se može odvojiti, sa mašine pre nego što pristupite bilo kakvom podešavanju, promeni dodatne opreme ili skladištenju mašine.** Takve bezbednosne preventivne mere smanjuju rizik od slučajnog uključivanja mašine.
- **Čuvajte mašinu koja se ne koristi dalje od domašaja osebe i nemojte da dozvoljavate rad sa mašinom osobama koje nisu upoznate sa njom ili ovim uputstvima.** Mašine su opasne kada njima rukuju neobučeni korisnici.
- **Održavajte mašine i dodatnu opremu. Proverite da li su pokretni i vezni delovi pravilno postavljeni, da li postoje pukotine na delovima ili druga stanja koja mogu uticati na rad mašine. Ako je oštećena, odnesite mašinu na popravku pre korišćenja.** Mnoge nezgode su prouzrokovale loše održavane mašine.
- **Održavajte alat za sečenje oštrim i čistim.** Mašine za sečenje koje se pravilno održavaju i imaju oštre rezne vrhove se ređe krive i lakše kontrolišu.
- **Koristite mašinu, dodatnu opremu, nastavke itd. u skladu sa ovim uputstvima, uzimajući u obzir radne uslove i posao koji treba da se obavi.** Korišćenje proizvoda za operacije za koje nije namenjen može da dovede do opasnih situacija.
- **Ručke i prihvatne površine bi trebalo da budu suve, čiste i bez ostatka ulja i maziva.** Klizave ručke i prihvatne površine ne dozvoljavaju bezbedno rukovanje i kontrolu nad mašinom u neočekivanim situacijama.

Upotreba i održavanje baterijske mašine

- **Punite samo punjačem koji je naznačen od strane proizvođača.** Punjač koji je odgovarajući za jedan tip baterije može stvoriti rizik od požara kada se koristi sa drugom baterijom.

- **Koristite samo punjive baterije koje su predviđene za mašine.** Korišćenje drugih baterija može stvoriti rizik od telesne povrede i požara.
- **Kad se baterija ne koristi držite je dalje od metalnih predmeta, kao što su spajalice, novčići, ključevi, ekseri, zavrtnji ili slični mali metalni predmeti koji mogu da naprave spoj između polova baterije.** Kratko spajanje polova baterije može da izazove opekotine ili požar.
- **U opasnim uslovima, tečnost može da prsne iz baterije; izbegavajte kontakt. Ako do kontakta slučajno dođe, isperite to mesto vodom. Ako tečnost dođe u kontakt sa očima, dodatno potražite lekarsku pomoć.** Tečnost koja prsne iz baterije može da prouzrokuje iritaciju ili opekotine.
- **Nemojte koristiti baterije ili mašinu koji su oštećeni ili izmenjeni.** Oštećeni ili modifikovani akumulatori mogu biti nepredvidivi što može dovesti do vatre, eksplozije i rizika od povrede.
- **Baterije ili mašinu nemojte da izlažete vatri ili previsokoj temperaturi.** Izlaganje vatri ili temperaturi iznad 130 °C / 265 °F može dovesti do eksplozije.
- **Pridržavajte se svih uputstava za punjenje i nemojte da punite bateriju ili mašinu izvan opsega temperature koji je naveden u uputstvima.** Nepravilno punjenje ili temperature izvan navedenog opsega mogu oštetiti bateriju i povećati rizik od požara.

Servis

- **Popravke mašine prepustite kvalifikovanom stručnom osoblju uz primenu isključivo originalnih rezervnih delova.** Na taj način ćete da osigurate da se održi trajna sigurnost mašine.
- **Nikad ne servisirajte oštećene baterije.** Servisiranje baterije treba da vrši samo proizvođač ili ovlašćeni serviseri.

Bezbednosna upozorenja za trimer za travu

- **Nemojte koristiti mašinu po lošim vremenskim uslovima, naročito kada postoji opasnost od groma.** Time se smanjuje rizik od udara groma.
- **Temeljito pregledajte oblast u pogledu faune tamo gde će se mašina koristiti.** Mašina može tokom rada prouzrokovati povrede životinja.
- **Pažljivo pregledajte oblast u kojoj će se mašina koristiti i uklonite sve kamenje, grane, žice, kosti i ostale strane predmete.** Izbačeni predmeti mogu da nanesu telesne povrede.
- **Pre korišćenja mašine, uvek vizuelno proverite kako biste utvrdili da rezač i sklop rezača nisu oštećeni.** Oštećeni delovi povećavaju rizik od povrede.
- **Pridržavajte se uputstava za zamenu dodatne opreme.** Neispravno pričvršćene navratke ili zavrtnji na nožu mogu izazvati oštećenje noža ili dovesti do toga da se otkači.
- **Nosite zaštitu za oči, sluh i glavu.** Adekvatna zaštitna oprema će smanjiti stepen telesne povrede

prouzrokovane letećim izbačenim otpacima ili slučajnim kontaktom sa sekačima ili linijama.

- **Dok rukujete mašinom, uvek nosite neklizuću zaštitnu obuću. Ne rukujte mašinom bosii ili u otvorenim sandalima.** Time se smanjuje mogućnost povrede stopala usled kontakta sa pokretnim sekačima ili linijama.
- **Dok rukujete mašinom, uvek nosite duge nogavice.** Izložena koža povećava verovatnoću povrede izbačenim predmetima.
- **Neka prisutne osobe budu udaljene dok rukujete mašinom.** Delovi isečene vegetacije koji su izbačeni mogu da imaju za rezultat tešku telesnu povredu.
- **Uvek koristite obe ruke kada rukujete mašinom.** Ako mašinu držite sa obe ruke nećete izgubiti kontrolu nad njom.
- **Mašinu držite isključivo za izolovane rukohvate, budući da linija sečenja ili sečivo mogu da dođe u kontakt sa skrivenim kablovima.** Linija sečenja ili noževi koji su u kontaktu sa žicom pod naponom dovode do toga da izloženi metalni delovi mašine budu pod naponom i mogu da zadaju strujni udar rukovaoocu.
- **Uvek držite ispravan položaj nogu i koristite mašinu samo kada stojite na tlu.** Klizave ili nestabilne površine mogu da izazovu gubitak ravnoteže ili kontrole nad teleskopskom testerom.
- **Nemojte rukovati mašinom na previše strmim nagibima.** Tako ćete smanjiti rizik od gubitka kontrole, klizanja i pada koji može da dovede do povrede.
- **Prilikom rada na nagibima, uvek osigurajte siguran oslonac stopala, uvek radite preko lica nagiba, nikada gore ili dole nagiba i budite naročito pažljivi kada se okrećete.** Tako ćete smanjiti rizik od gubitka kontrole, klizanja i pada koji može da dovede do povrede.
- **Držite sve delove tela podalje od rezača, linije sečenja ili noža dok mašina radi. Pre pokretanja mapine, proverite da rezač, linija sečenja ili nož ne dodiruju ništa.** Trenutak nepažnje prilikom korišćenja mašine može da dovede do teških telesnih povreda za vas ili druge.
- **Nemojte rukovati mašinom iznad visine struka.** To pomaže u sprečavanju slučajnog kontakta rezača ili noža i omogućava bolju kontrolu nad mašinom u neočekivanim situacijama.
- **Prilikom rezanja žbunja ili mladice koja je napeta budite na oprezu zbog odskakanja.** Kada se napetost u vlaknima otpusti, žbunje ili mladica mogu udariti rukovaoaca i/ili izbaciti mašinu iz ravnoteže.
- **Budite izuzetno pažljivi prilikom rezanja žbunja i mladica.** Tanak materijal može zakačiti nož i oštinuti u vašem pravcu ili vas izbaciti iz ravnoteže.
- **Držite kontrolu nad mašinom i nemojte dodirivati rezače, liniju sečenja ili noževe i druge opasne pokretne delove dok se još kreću.** Time se smanjuje rizik od povrede pokretnim delovima.

- **Nosite mašinu samo kada je isključena i to tako da je odmaknuta od vašeg tela.** Pravilno rukovanje mašinom će umanjiti verovatnoću slučajnog kontakta sa rezačem linijom sečenja ili nožem.
- **Koristite samo zamenske rezače, linije, rezne glave i noževe koje je naveo prodavac.** Neodgovarajući zamenski delovi mogu povećati rizik od lomljenja i povrede.
- **Prilikom uklanjanja zaglavljenog materijala ili servisiranja mašine, uverite se da su svi prekidači za pokretanje isključeni i da je baterija uklonjena.** Neočekivano pokretanje mašine prilikom uklanjanja zaglavljenog materijala ili servisiranja može dovesti do teških telesnih povreda.

Kontrola pre starta

- Uvek uklonite akumulator da biste sprečili slučajno pokretanje proizvoda. Uvek uklonite akumulator pre održavanja proizvoda.
- Pre korišćenja proizvoda i posle svakog udara proverite ima li znaka habanja ili oštećenja i izvršite popravke ako je neophodno.
- Pregledajte radno područje. Uklonite sve slobodne predmete kao što je kamenje, slomljeno staklo, ekseri, čelične žice, vrpce itd. koji bi mogli da budu odbačeni ili da se obmotaju oko rezača ili štitnika rezača.
- Proverite da li je motor zaprljan ili naprsao. Očistite travu i lišće sa motora četkom. Po potrebi nosite rukavice.
- Proverite da li je glava trimera potpuno spojena sa trimenom.
- Uverite se da je proizvod u besprekornom radnom stanju. Proverite da li su sve navrtke i zavrtnji dobro pričvršćeni.
- Proverite da li su glava trimera i štitnik dodatka za rezanje oštećeni ili napukli. Promenite glavu trimera ili štitnik dodatka za rezanje ukoliko su bili izloženi udaru ili imaju naprsline. Uvek upotrebite preporučeni štitnik za specifičan nastavak za rezanje. Vidite odeljak Tehnički podaci.
- Rukovalac proizvodom mora da obezbedi da nema ljudi ili životinja bliže od 15 metara tokom rada. Kada nekoliko rukovaoca radi u istoj oblasti, bezbedno rastojanje treba da bude bar 15 metara.
- Izvršite detaljan pregled proizvoda pre njegovog korišćenja. Pridržavajte se šeme održavanja.
- Državni ili lokalni propisi mogu da regulišu korišćenje. Poštujte date propise.

Uvek upotrebljavajte zdrav razum

Nije moguće obuhvatiti sve situacije s kojima se možete suočiti. Uvek budite pažljivi i koristite zdrav razum. Izbegavajte sve situacije za koje smatrate da nisu u okviru vaših sposobnosti. Ako nakon čitanja ovog uputstva i dalje imate nedoumice u vezi s radnim postupcima, pre nastavka rada obratite se stručnjaku.



UPOZORENJE: Ne dozvolite deci da koriste mašinu ili budu u njenoj blizini. Pošto se mašina lako pokreće, deca mogu da je pokrenu ako nisu pod nadzorom. To nosi rizik od teških telesnih povreda. Zato odvojite akumulator kad mašina nije pod nadzorom.

Opšta bezbednosna uputstva



UPOZORENJE: Pročitajte upozoravajuća uputstva koja slede pre korišćenja proizvoda.

- Uklonite bateriju da biste sprečili slučajno pokretanje proizvoda.
- Ovaj proizvod je opasan ako se koristi nepažljivo ili nepravilno. Ovaj proizvod može prouzrokovati teške telesne povrede ili smrt rukovaoca i drugih osoba.
- Nemojte koristiti proizvod ako je izmenjen u odnosu na originalne specifikacije. Nemojte menjati deo na proizvodu bez odobrenja proizvođača. Koristite samo delove koji je proizvođač odobrio. Telesna povreda ili smrt su mogući rezultat nepravilnog održavanja.
- Proverite proizvod pre upotrebe. Pogledajte *Bezbednosni uređaji na proizvodu na stranici 417* i *Pregled proizvoda na stranici 412*. Nemojte koristiti uređaj koji je oštećen ili neispravan. Pratite uputstva za bezbednosne provere, održavanje i servisiranje opisana u ovom priručniku.
- Potrebno je vršiti stalni nadzor nad decom da biste bili sigurni da se ne igraju sa proizvodom. Ne dozvolite deci ili osobama koje nisu obučene da koriste proizvod i/ili bateriju ili da ih servisiraju. Uzrast korisnika je možda propisan lokalnim zakonima.
- Čuvajte proizvod u zaključanoj prostoriji da biste sprečili neodobren pristup deci i drugim osobama.
- Proizvod odložite izvan domašaja dece.
- Ni u kom slučaju ne smete bez odobrenja proizvođača prepravljati prvobitnu konstrukciju proizvoda. Uvek upotrebljavajte originalnu opremu. Neovlašćene modifikacije i/ili oprema mogu dovesti do teške povrede ili smrti rukovaoca ili drugih osoba.
- Deklarisana ukupna jačina vibracija izmerena je u skladu sa metodom standardnog testa i može da se koristi za poređenje alata.
- Deklarisana ukupna jačina vibracija može da se koristi i za preliminarnu procenu izloženosti.
- Emisija vibracija tokom stvarnog korišćenja električnog alata može da se razlikuje od deklarisane ukupne vrednosti zavisno od načina na koji se alat koristi. Rukovaoci bi trebali da utvrde mere zaštite zasnovane na proceni izlaganja u stvarnim uslovima upotrebe (uzimajući u obzir sve delove operativnog ciklusa npr. vremena kad je alat isključen i kad radi u praznom hodu, uz rad pri korišćenju obarača).

Napomena: Državni ili lokalni propisi mogu da regulišu korišćenje. Poštujte date propise.

Lična zaštitna oprema



UPOZORENJE: Pročitajte upozoravajuća uputstva koja slede pre korišćenja proizvoda.

- Uvek koristite odobrenu ličnu zaštitnu opremu kada koristite proizvod. Lična zaštitna oprema ne može da u potpunosti spreči telesnu povredu, ali ona umanjuje stepen telesne povrede ako dođe do nesrećnog slučaja. Neka vam vaš prodavac pomogne u izboru odgovarajuće opreme.
 - Koristite odobrenu zaštitu za sluh.
- (Sl. 19)
- Koristite odobrenu zaštitu za oči. Prilikom korišćenja vizira istovremeno se moraju koristiti odobrene zaštitne naočare. Odobrene zaštitne naočare jesu takve koje ispunjavaju standard ANSI Z87.1 u SAD ili EN 166 u zemljama Evropske unije.

(Sl. 20)

- Nosite rukavice po potrebi, na primer, kada pričvršćujete, pregledate ili čistite opremu za rezanje.

(Sl. 21)

- Nosite zaštitne čizme sa čeličnim delom na prstima i neklizućim đonovima.

(Sl. 22)

- Nosite odeću napravljenu od jake tkanine. Uvek nosite debele, dugačke pantalone i dugačke rukave. Nemojte nositi široku odeću koja može da se zakači o grančice i grane. Nemojte nositi nakit, kratke pantalone ili sandale. Nemojte hodati bosonogi. Sklonite kosu tako da vam bude iznad ramena.
- Neka vam komplet za prvu pomoć bude u blizini.

(Sl. 23)

Bezbednosni uređaji na proizvodu



UPOZORENJE: Pročitajte upozoravajuća uputstva koja slede pre korišćenja proizvoda.

U ovom odeljku je objašnjena bezbednosna oprema proizvoda, njena svrha, te način kako treba obaviti provere i održavanje da bi se osigurao ispravan rad. Vidite uputstva pod naslovom *Uvod na stranici 412* da biste saznali gde se na vašem proizvodu nalaze ovi delovi.

Vek trajanja proizvoda se može skratiti, a rizik od nastupanja nesreća povećati ako se održavanje proizvoda ne vrši na pravi način i ako se servisiranje ili popravljnje ne vrše stručno. Ako su vam potrebne

dodatne informacije, kontaktirajte najbliži ovlašćeni servis.



UPOZORENJE: Nikada ne upotrebljavajte proizvod sa neispravnim delovima bezbednosne opreme. Bezbednosna oprema za proizvod mora da se pregleda i održava kako je opisano u ovom odeljku. Ako proizvod ne zadovolji bilo koju od tih provera, obratite se ovlašćenom servisu radi popravke.



OPREZ: Potrebna je posebna obuka za servisiranje i popravku mašina. Ovo se posebno odnosi na bezbednosnu opremu mašine. Ako mašina ne zadovolji bilo koju od dole opisanih provera odnesite je svom servisnom agentu. Za bilo koji proizvod kupljen od nas garantujemo raspoloživost profesionalne popravke i servisiranja. Ako prodavac na malo koji je prodao mašinu nije serviser, zatražite od njega adresu najbližeg servisnog agenta.

Provera tastature

1. Pritisnite i držite dugme za pokretanje/zaustavljanje (A). (Sl. 24)
 - a) Proizvod je uključen kad LED lampica (B) svetli.
 - b) Proizvod je isključen kad LED lampica (B) ne svetli.
2. Pogledajte *Tastatura na stranici 423* ako indikator upozorenja (C) svetli ili trepće.

Provera zaključavanja obarača gasa

Zaključavanje obarača gasa sprečava neželjeno pokretanje. Kad pritisnete zaključavanje obarača gasa (A), oslobađate obarač gasa (B). Kad otpustite ručku, obarač gasa i zaključavanje obarača gasa se vraćaju u prvobitne položaje. (Sl. 25)

1. Proverite da li je obarač gasa blokiran kada je zaključavanje obarača gasa u originalnom položaju. (Sl. 26)
2. Pritisnite obarač gasa i uverite se da se vraća u početni položaj kada ga otpustite. (Sl. 27)
3. Uverite se da se obarač gasa i zaključavanje obarača gasa slobodno pomeraju i da povratna opruga ispravno radi. (Sl. 28)
4. Pokrenite proizvod. Pogledajte *Pokretanje proizvoda na stranici 421*
5. Dajte pun gas.
6. Otpustite obarač gasa i uverite se da se priključak za rezanje zaustavio.

Da biste proverili štitičnik nastavka za rezanje



UPOZORENJE: Nemojte koristiti nastavak za rezanje bez odobrenog i pravilno pričvršćenog štitičnika nastavka za rezanje. Uvek koristite preporučeni štitičnik nastavka za rezanje za nastavak za rezanje koji koristite, pogledajte *Tehnički podaci na stranici 425*. Ako postavite pogrešan ili neispravan štitičnik nastavka za rezanje, to može da prouzrokuje tešku telesnu povredu.

Štitičnik priključka za košenje sprečava predmete koji se izbacuju u smeru rukovaoca. Štitičnik nastavka za rezanje sprečava i telesne povrede koje se mogu pojaviti ako dodirnete nastavak za rezanje.

1. Zaustavite motor.
2. Izvršite vizuelni pregled u pogledu oštećenja, na primer, naprslina.
3. Zamenite štitičnik nastavka za rezanje ako je oštećen.

Oprema za košenje

Izaberite odgovarajuću opremu za rezanje i održavajte je da biste:

- Dobili maksimalne radne karakteristike pri rezanju.
- Produžili vek trajanja opreme za rezanje.



UPOZORENJE: Koristite samo priključke za košenje sa štitičnicima koje smo preporučili! Pogledajte *Odobrena oprema na stranici 426*. Pogledajte uputstva za priključak za košenje da biste našli pravilan način postavljanja niti trimera i plastičnih noževa.



UPOZORENJE: Oštećen nastavak za rezanje može povećati opasnost od nesrećnih slučajeva.



UPOZORENJE: Uvek zaustavite napajanje pre obavljanja ikakvog posla na dodatku za rezanje. On nastavlja da se rotira i kad obarač gasa. Uverite se da se nastavak za rezanje potpuno zaustavio i bateriju iz proizvoda pre nego što budete radili na njemu.

Dodatak za rezanje



UPOZORENJE: Uvek vodite računa da je trimi nit čvrsto i ravnomerno omotana oko bubnja da bi se sprečile štetne vibracije.

(Sl. 29)

- Koristite samo preporučene priključke za košenje.

- Dužina strune trimera je važna. Duži gajtan trimera zahteva veću jačinu motora nego što je to slučaj kod kratkog gajtana sa istim prečnikom gajtana.
- Uverite se da je rezač na štitičniku dodatka za rezanje neoštećen. Time se reže struna trimera skraćuje na ispravnu dužinu.
- Potopite trimi nit u vodu tokom nekoliko dana pre korišćenja kako biste povećali dužinu radnog veka.

Bezbedna upotreba baterije



UPOZORENJE: Pročitajte upozoravajuća uputstva koja slede pre korišćenja proizvoda.

- Koristite samo baterije serije BLI i 40-B. Detalje potražite pod *Tehnički podaci na stranici 425*. Baterija je softverski kodirana.
- Koristite punjive baterije iz serije BLI i 40-B kao izvor napajanja samo za odgovarajuće Husqvarna proizvode. Kako bi se sprečila telesna povreda, nemojte koristiti bateriju kao izvor napajanja za druge uređaje.
- Opasnost od strujnog udara. Nemojte povezivati terminale baterije na ključeve, kovanice, vijke ili druge metalne predmete. To može dovesti do kratkog spoja baterije.
- Ne koristite baterije za jednokratnu upotrebu.
- Nemojte stavljati predmete u proreze za vazduh baterije.
- Držite bateriju tako da ne bude izložen sunčevoj svetlosti, toploti ili otvorenom plamenu. Baterija može da izazove opekotine i/ili hemijske opekotine.
- Držite bateriju tako da ne bude izložena kiši i vlažnim uslovima.
- Držite bateriju dalje od mikrotalasnih pećnica i visokog pritiska.
- Nemojte pokušavati da rastavite ili lomite bateriju.
- Ako baterija curi, ne dozvolite da vam ta tečnost dospe na kožu ili u oči. Ako ste dodirnuti tečnost, isperite površinu velikom količinom vode sa sapunom i obratite se doktoru. Ako vam tečnost dospe u oči, nemojte ih trljati, već ih ispirajte vodom najmanje 15 minuta i potražite medicinsku pomoć.
- Koristite bateriju na temperaturama između -10 °C (14 °F) i 40 °C (114 °F).
- Nemojte čistiti bateriju ili punjač baterija vodom. Pogledajte *Čišćenje proizvoda, akumulatora i punjača akumulatora na stranici 423*.
- Nemojte koristiti defektnu ili oštećenu bateriju.
- Držite baterije uskladištene tako da budu udaljeni od metalnih predmeta kao što su ekseri, vijci ili nakit.
- Držite bateriju van domašaja dece.

Bezbedna upotreba punjača baterije



UPOZORENJE: Pročitajte upozoravajuća uputstva koja slede pre korišćenja proizvoda.

- Opasnost od strujnog udara ili kratkog spoja ako se ne poštuju bezbednosne mere.
- Ne koristite druge punjače baterije osim onog namenjenog za proizvod. Koristite samo QC80 i 40-C80 punjače kad puniti zamenske baterije iz serije BLi i 40-B.
- Nemojte pokušavati da rasklopite punjač baterije.
- Nemojte koristiti defektan ili oštećen punjač baterije.
- Nemojte podizati punjač baterije za kabl za napajanje. Da biste iskopčali punjač baterije sa mrežne utičnice, povucite utikač. Ne vucite kabl za napajanje.
- Držite sve kablove i produžne kablove dalje od vode, ulja i oštirih ivica. Uverite se da kabl nije priklješten između predmeta, npr. vratima, ogradom ili drugo.
- Nemojte koristiti punjač baterije u blizini zapaljivih materijala ili materijala koji mogu da izazovu koroziju. Uverite se da punjač baterija nije pokriven. Izvucite utikač kabla iz punjača baterije ako se pojave dim ili vatra.
- Baterije puniti samo u zatvorenom prostoru u prostoriji sa dobrom ventilacijom i podalje od sunčeve svetlosti. Nemojte puniti bateriju na otvorenom. Nemojte puniti bateriju u vlažnim uslovima.
- Koristite punjač baterije samo na temperaturama između 5 °C (41 °F) i 40 °C (104 °F). Punjač koristite u okruženju koje je dobro provetreno, suvo i bez prašine.

- Nemojte stavljati predmete u proreze za hlađenje punjača baterije.
- Nemojte povezivati terminale punjača na metalne predmete jer to može dovesti do kratkog spoja.
- Koristite odobrene i neoštećene utičnice za strujnu mrežu. Uverite se da kabl punjača baterije nije oštećen. Ako koristite produžni kabl, uverite se da nije oštećen.
- Nemojte puniti baterije koje se ne pune u punjačima baterije.

Bezbednosna uputstva za održavanje



UPOZORENJE: Pročitajte upozoravajuća uputstva koja slede pre održavanja proizvoda.

- Uklonite bateriju pre održavanja, provere i sklapanja proizvoda.
- Rukovalac sme da vrši samo održavanje i servisiranje opisano u priručniku za rukovaoca. Obratite se serviseru radi održavanja i servisiranja većih dodataka.
- Nemojte čistiti akumulator ili punjač akumulatora vodom. Jak deterdžent može da ošteti plastiku.
- Neodržavanje smanjuje radni vek proizvoda i povećava rizik od nezgoda.
- Za poslove servisiranja i popravke potrebna je posebna obuka, naročito kad je reč o bezbednosnim uređajima na proizvodu. Ako posle odobravanja uređaj ne prođe sve provere opisane u korisničkom uputstvu, obratite se serviseru. Garantujemo da su za vaš proizvod dostupne profesionalne popravke i servisiranje.
- Koristite samo originalne rezervne delove.

Sklapanje

Uvod



UPOZORENJE: Pre sklapanja proizvoda je potrebno da pročitate i razumete poglavlje o bezbednosti.

Provera štitnika dodatka za rezanje

1. Postavite štitnik dodatka za rezanje nasuprot kućišta motora. (Sl. 30)
2. Proverite kuke za zaključavanje. (Sl. 31)
3. Pritegnite vijak. Upotrebite kombinovani ključ. (Sl. 32)
4. Pritegnite vijak.

Promena dodatka za rezanje

1. Stavite kombinovani ključ u otvor tako da se osovina osigura. (Sl. 33)

2. Okrenite dodatak za rezanje i pažljivo gurnite kombinovani ključ dok se izlazna osovina ne blokira.
3. Okrenite dodatak za rezanje u smeru kazaljke na satu da biste ga uklonili. Uverite se da je pogonski disk na svom mestu pre nego što postavite dodatak za rezanje. (Sl. 34)
4. Postavite novi dodatak za rezanje suprotnim redosledom. (Sl. 35) (Sl. 36)

Napomena: Uverite se da je pogonski disk ispravno postavljen pre nego što postavite dodatak za rezanje.

Postavljanje štitnika za biljke

1. Postavite štitnik za biljke u otvore na kućištu motora. (Sl. 37)
2. Uverite se da štitnik za biljke može da se slobodno pomera unapred i unazad. (Sl. 38)

Sklopavanje kružne drške

1. Postavite zavrtanj u kružnu dršku. (Sl. 39)
2. Postavite kružnu dršku na nastavak na osovini.
3. Pritegnite zavrtnje.
4. Pomerite kružnu u ispravan radni položaj. Pogledajte *Podešavanje kružne drške i teleskopske osovine na stranici 421.*

Postavljanje punjača baterije 40-C80 na zid



OPREZ: Ne koristite električni šrafčiger za postavljanje punjača baterije na zid. Električni šrafčiger može da ošteti punjač baterija.

1. Postavite punjač baterije na zid pomoću dva vijka (A). Po potrebi koristite tiplove (B). (Sl. 40)
2. Postavite dva tipla za zavrtnje (C).
3. Povežite kabl za napajanje (D) za punjač baterije i mrežnu utičnicu.

Rukovanje

Uvod



UPOZORENJE: Pre korišćenja proizvoda je potrebno da pročitate i razumete poglavlje o bezbednosti.

Pre rada sa proizvodom

- Pregledajte radnu oblast kako biste se upoznali sa tipom terena. Pregledajte nagib tla i da li postoje prepreke kao što je kamenje, grane i jarci.
- Izvršite opšti pregled proizvoda.
- Izvršite bezbednosne preglede, održavanje i servisiranje koji su dati u ovom priručniku.
- Proverite da li je motor zaprljan ili naprsao. Četkom očistite motor od trave i lišća. Koristite rukavice kada je to neophodno.
- Pregledajte glavu trimera i štitnik priključka za košenje u pogledu oštećenja ili naprsline. Zamenite glavu trimera i štitnik priključka za košenje ako su bili udareni ili ako imaju naprsline.
- Uverite se da su sve navrtke i zavrtnji pritegnuti.
- Uverite se da su svi poklopci, štitnici, ručice i oprema za rezanje ispravno postavljeni i da nisu oštećeni pre pokretanja proizvoda.

Baterija



UPOZORENJE: Pre korišćenja proizvoda je potrebno da pročitate i razumete poglavlje o bezbednosti. Pročitajte sa razumevanjem korisničko uputstvo za akumulator i punjač akumulatora.

Akumulator i punjač akumulatora čuvajte na odgovarajućoj temperaturi.

	Temperatura sredine
Rad proizvoda	-5–40 °C / 23–104 °F
Punjenje akumulatora	5–40 °C / 41–104 °F

Status baterije

Displej prikazuje status punjenja i da li postoje problemi u vezi sa baterijom.

(Sl. 41)

LED indikator	Status baterije (status napunjenosti)	
	Bli10, Bli20	40-B70, 40-B140
4 LED lampice su uključene	N/A	Baterija je 76% – 100% napunjena.
3 LED lampice su uključene	Baterija je 76% – 100% napunjena.	Baterija je 51% – 75% napunjena.
2 LED lampice su uključene	Baterija je 51% – 75% napunjena.	Baterija je 26% – 50% napunjena.
1 LED lampica je uključena	Baterija je 26% – 50% napunjena.	Baterija je 6% – 25% napunjena.

LED indikator	Status baterije (status napunjenosti)	
	BLI10, BLI20	40-B70, 40-B140
1 LED lampica trepče	Baterija je 0% – 25% napunjen.	Baterija je 0% – 5% napunjena.

Punjenje baterije

Napunite bateriju ako je to prvi put da se koristi. Nov akumulator je napunjen samo 30%.



OPREZ: Povežite punjač baterije na strujnu utičnicu čiji su napon i frekvencija naznačeni na pločici tipa.

Baterija se neće puniti ako je temperatura baterije veća od 50 °C / 122 °F.

1. Povežite kabl za napajanje sa punjačem akumulatora.
2. Povežite punjač baterije na strujnu utičnicu. LED lampica punjenja trepče jedanput. (Sl. 42)
3. Stavite bateriju na punjač baterije. LED lampica punjenja se uključuje. Puniti bateriju najviše 24 sata. (Sl. 43)
4. Pritisnite dume indikatora baterije, ako se svi LED indikatori upale, baterija je potpuno napunjena.
5. Povucite strujni utikač da biste isključili punjač baterije sa strujne utičnice. Ne vucite kabl za napajanje.
6. Izvadite bateriju iz punjača baterije.

Da biste povezali akumulator na proizvod



UPOZORENJE: Koristite samo originalan Husqvarna akumulator za proizvod.

1. Napunite akumulator do kraja.
2. Gurnite akumulator u držač akumulatora na proizvodu. Akumulator je u dobrom položaju kad čujete klik. (Sl. 44)



OPREZ: Ako je teško staviti akumulator u držač, niste ga pravilno postavili. To može da ošteti proizvod.

Pokretanje proizvoda

1. Pritisnite i držite dugme za pokretanje/zaustavljanje dok ne zasveti zelena LED lampica. (Sl. 45)
2. Pritisnite zaključavanje obarača gasa i obarač gasa. Oprema za rezanje počinje da se rotira.

Podešavanje kružne drške i teleskopske osovine

1. Otpustite blokirajuću dršku i podesite kružnu dršku u odgovarajući položaj. (Sl. 46)
2. Zatvorite blokirajuću dršku.
3. Otpustite ručku na osovini. (Sl. 47)
4. Podesite dužinu osovine. Trokut na osovini mora da bude vidljiv. (Sl. 48)
5. Zatvorite ručku i pritegnite zavrtanj.

Napomena: Ne postavljajte kružnu dršku na nalepnice upozorenja na osovini.

Korišćenje funkcije SavE

Ovaj proizvod ima funkciju za uštedu energije, SavE.

Napomena: Funkcija SavE ne smanjuje moć sečenja proizvoda.

1. Pritisnite dugme SavE na tastaturi.
2. Uverite se da se zelena LED lampica uključila.
3. Ponovo pritisne taster SavE da biste isključili funkciju. Zelena LED lampica se isključuje. (Sl. 49)

Funkcija automatskog isključivanja

Proizvod ima funkciju isključivanja koja ga isključuje kad se ne koristi. Zelena LED lampica pokretanja/zaustavljanja se isključuje i proizvod se zaustavlja posle 180 sekundi.

Rad sa proizvodom

Košenje trave

1. Uverite se da su plastični noževi ili trimi nit paralelni sa tlom prilikom košenja trave. (Sl. 50)
2. Nemojte pritiskati Tri-Cut ili glavu trimera o tlo. To može da ošteti proizvod.

Napomena: Niska temperatura okoline blizu 0 °C može uzrokovati lomljenje noževa ili trimi niti.

3. Pomerajte proizvod levo-desno prilikom košenja trave. (Sl. 51)

Napomena: Ne koristite proizvod sa oštećenim dodatkom za rezanje. Oštećeni dodatak za rezanje može izazvati neravnotežu koja može oštetiti proizvod.

Pometanje trave

Protok vazduha iz rotirajućih plastičnih noževa ili trimi niti može se koristiti za uklanjanje isečene trave iz područja.

1. Držite glavu trimera, plastične noževe ili trimi nit paralelno sa tlom i iznad tla.
2. Dajte pun gas.
3. Pomerajte dodatak za rezanje sa strane u stranu i raščišćavajte travu.



UPOZORENJE: Očistite poklopac dodatka za rezanje svaki put kada postavljate nove plastične noževe ili trimi nit kako biste sprečili neravnotežu i vibracije u ručicama. Takođe izvršite pregled drugih

delova dodatka za rezanje i očistite ga po potrebi.

Rezanje blizu objekata

1. Izvucite štitnik za biljke. (Sl. 52)
2. Koristite štitnik za biljke da biste izbegli oštećenje drugih objekata. (Sl. 53)

Zaustavljanje proizvoda

1. Pustite obarač gasa i zaključavanje obarača gasa.
2. Pritisnite dugme za pokretanje/zaustavljanje dok se ne ugasi zelena LED lampica.
3. Pritisnite dugmad za otpuštanje na akumulatoru i izvadite ga iz proizvoda. (Sl. 54)

Zamena plastičnih noževa ili trimi niti

Pogledajte poslednje stranice korisničkog uputstva.

Održavanje

Uvod



UPOZORENJE: Pre održavanja proizvoda je potrebno da pročitate i razumete poglavlje o bezbednosti.

Sledi lista koraka održavanja koje treba izvršiti na proizvodu. Pogledajte *Pregled proizvoda na stranici 412* za više informacija.

Šema održavanja



UPOZORENJE: Skinite bateriju pre održavanja.

Održavanje	Dnevno	Nedeljno	Mesečno
Očistite spoljne površine proizvoda suvom krpom. Ne koristite vodu.	X		
Proverite da li je prekidač za pokretanje i zaustavljanje oštećen i da li pravilno radi.	X		
Uverite se da obarač gasa i zaključavanje obarača gasa rade pravilno po pitanju bezbednosti.	X		
Postarajte se da ručke budu suve i čiste.	X		
Uverite se da štitnik nastavka za rezanje nije oštećen. Zamenite štitnik priključka za košenje ako je oštećen.	X		
Uverite se da ručka ili upravljač nisu oštećeni i da su pravilno postavljeni.	X		
Proverite mehanizam za zaključavanje teleskopske osovine. Pogledajte <i>Provera mehanizma za zaključavanje teleskopske osovine na stranici 423</i> .	X		
Proverite punjač baterije i uverite se da radi pravilno i da nije oštećen.	X		
Uverite se da baterija nije oštećena.	X		
Uverite se da je baterija napunjena.	X		
Uverite se da punjač baterije nije oštećen.	X		

Održavanje	Dnevno	Nedeljno	Mesečno
Uverite se da su spoljni zavrtnji i navrtke pritegnuti.		X	
Uverite se da dugmad za otpuštanje na bateriji ispravno rade i da zaključavaju bateriju na proizvod.		X	
Proverite da li ima masti u kalemu glave trimera.		X	
Očistite i proverite kontakte između baterije i proizvoda.			X
Očistite i proverite kontakte između baterije i punjača baterije.			X

Pregled akumulatora i punjača akumulatora

1. Pregledajte da li je akumulator oštećen, npr. naprsao.
2. Pregledajte da li je punjač akumulatora oštećen, npr. naprsao.
3. Proverite da kabl za napajanje punjača akumulatora nije oštećen i da na njemu ne postoje naprsline.

Čišćenje proizvoda, akumulatora i punjača akumulatora

1. Proizvod čistite nakon upotrebe pomoću suve krpe.
2. Za čišćenje akumulatora i punjača akumulatora koristite suhu krpu. Održavajte vodice baterija čistim.
3. Uverite se da su polovi na akumulatoru i punjaču akumulatora čisti pre nego što stavite akumulator u punjač ili u proizvod.

Provera i zamena Tri-Cut

1. Proverite da li je Tri-Cut oštećen ili naprsao.
2. Uklonite Tri-Cut. *Pogledajte odeljak „Uklanjanje Tri-Cut“ na poslednjoj stranici korisničkog uputstva.*
3. Sklopite Tri-Cut. *Pogledajte Promena dodatka za rezanje na stranici 419.*

Provera mehanizma za zaključavanje teleskopske osovine

1. Proverite mehanizam za zaključavanje teleskopske osovine.
2. Podesite silu obrtnog momenta. (Sl. 55)

Rešavanje problema

Tastatura

LED ekran	Moguće greške	Moguća rešenja
LED lampica greške trepće.	Preopterećenje	Nastavak za rezanje ne može da se slobodno okreće. Otpustite nastavak za rezanje.
	Odstupanje temperature	Pustite proizvod da se ohladi.
Proizvod ne može da se pokrene.	Pritisnite obarač gasa i dugme za pokretanje u isto vreme.	Otpustite obarač gasa i zaustavite proizvod.
LED lampica greške se uključuje sa crvenim svetlom.	Neophodno je servisirati proizvod	Obratite se serviseru.

Akumulator

LED displej	Moguće greške	Moguća radnja
Zelena LED lampica trepće.	Nizak napon akumulatora.	Napunite akumulator.

LED displej	Moguće greške	Moguća radnja
LED lampica greške trepće.	Odstupanje temperature.	Koristite akumulator na temperaturama između -10 °C (14 °F) i 40 °C (104 °F).
	Preveliki napon.	Uverite se da je napon električne mreže usklađen sa naponom navedenim na pločici tipa proizvoda. Izvadite akumulator iz punjača akumulatora.
LED lampica greške je uključena.	Razlika između ćelija je prevelika (1 V).	Obratite se serviseru.

Punjač baterije

Problem	Moguće greške	Moguće rešenje
LED lampica punjenja svetli crveno.	Trajna greška punjača baterije.	Obratite se prodavcu.
LED lampica punjenja treperi zeleno.	Odstupanje temperature, baterija je previše hladna ili previše vruća za korišćenje ili punjenje.	Pustite da se baterija ohladi ili zagreje. Kada baterija dostigne ispravnu temperaturu, možete je ponovo koristiti ili puniti. Koristite punjač baterija na temperaturama okoline između 5 °C (41 °F) i 40 °C (104 °F).
LED lampica punjenja trepće crveno.	Neispravna baterija.	Obratite se prodavcu.

Transport, skladištenje i odlaganje

Transport i skladištenje

- Isporučene litijum-jonske baterije su usaglašene sa zakonskim propisima o opasnoj robi.
- Poštujte specijalne zahteve date na pakovanju i oznakama za komercijalni transport, uključujući i one od trećih strana i špeditera.
- Pre slanja proizvoda se konsultujte sa osobom stručnom za opasne materijale. Poštujte sve važeće državne propise.
- Stavite izolir-traku na gole kontakte kad stavljate bateriju u paket. Bateriju treba tesno upakovati, da bi se sprečilo pomeranje.
- Izvadite bateriju tokom transporta i skladištenja.
- Stavite bateriju i punjač baterije u suv prostor koji ne mrzne.
- Ne čuvajte bateriju na mestima gde može doći do statičkog pražnjenja. Ne čuvajte bateriju u metalnoj kutiji.
- Skladištite bateriju samo na mestima na kojima je temperatura okoline između 5 °C / 41 °F i 25 °C / 77 °F i dalje od direktne sunčeve svetlosti.

- Skladištite punjač baterije samo na mestima na kojima je temperatura okoline između 5 °C / 41 °F i 45 °C / 113 °F i dalje od direktne sunčeve svetlosti.
- Koristite punjač baterije samo kad je temperatura okoline između 5 °C / 41 °F i 40 °C / 104 °F.
- Napunite bateriju od 30% do 50% pre dužeg skladištenja.
- Skladištite punjač baterije na zatvorenom i suvom mestu.
- Držite bateriju van punjača baterije tokom skladištenja. Ne dozvolite da deca i neovlašćene osobe diraju opremu. Čuvajte opremu na mestu koje može da se zaključa.
- Očistite proizvod i izvršite kompletno servisiranje pre nego što uskladištite proizvod na duži vremenski period.
- Koristite štitičnik za transport na proizvodu da biste sprečili povrede ili oštećenje proizvoda tokom transporta i skladištenja.
- Pričvrstite proizvod tokom transporta.

Odbacivanje baterije, punjača baterije i proizvoda

Simboli na proizvodu ili njegovom pakovanju ukazuju na to da ovaj proizvod nije otpad iz domaćinstva. Reciklirajte ga na lokaciji za recikliranje električne i

elektronske opreme. Time se čuva životna sredina i zdravlje ljudi.

Stupite u kontakt sa lokalnim vlastima, servisom za otpad iz domaćinstva ili prodavcem za više informacija o recikliranju ovog proizvoda.

Tehnički podaci

Tehnički podaci

	215IL-TC
Motor	
Tip motora	BLDC
Brzina izlazne osovine, o/min	6800
Širina košenja, mm	255
Težina	
Težina bez baterije, kg	2,9
Emisije buke ⁷³	
Nivo zvučne snage, mereno u dB (A)	90,8
Nivo zvučne snage, garantovano L _{WA} dB (A)	93
Nivoi buke ⁷⁴	
Ekvivalent nivoa pritiska zvuka na uho rukovaoca, mereno prema standardu IEC 62841-4-4, dB (A)	81,3
Nivoi vibracije ⁷⁵	
Nivoi vibracija na ručkama, mereni prema IEC 62841-4, m/s ²	3,0 / 2,7
Opremljeno glavom trimera (original), napred/pozadi.	

Odobrene baterije za proizvod

Baterija	BLI10	BLI20	40-B70	40-B140
Tip	Litijum-jonska	Litijum-jonska	Litijum-jonska	Litijum-jonska
Kapacitet baterije, Ah	Pogledajte nalepnicu tipa baterije	Pogledajte nalepnicu tipa baterije	Pogledajte nalepnicu tipa baterije	Pogledajte nalepnicu tipa baterije

⁷³ Emisije buke u životnoj sredini merene kao zvučna snaga (L_{WA}) u skladu sa direktivom 2000/14/EZ. Razlika između garantovanog i izmerenog nivoa zvučne snage je da garantovana zvučna snaga takođe obuhvata raspršenje rezultata merenja i razlike između različitih proizvoda istog modela u skladu sa Direktivom 2000/14/EC.

⁷⁴ Prijavljeni podaci za ekvivalentni nivo zvučnog pritiska za proizvod uključuju tipično statističko raspršenje (standardno odstupanje) od 3 dB (A).

⁷⁵ Podaci o nivou vibracije imaju tipičnu statističku disperziju (standardnu devijaciju) od 1,5 m/s².

Baterija	BLi10		BLi20		40-B70	40-B140
Nazivni napon, V	36.	36,5	36.	36,5	36.	36.
Težina, lb/kg	0,7	0,7	1,2	1,2	0,8	1,25

Odobreni punjači akumulatora za proizvod

Punjač akumulatora	QC80	40-C80
Mrežni napon, V	100–240	100–240
Frekvencija, Hz	50–60	50–60
Snaga, W	100	72
Izlazni napon, V jednosmerne struje/ ampera, A	36/2	43/1,6

Dodaci

Odobrena oprema

Odobrena oprema	Tip	Štitnik priključka za rezanje, br. dela
Trimi glava	R25B (Ø 2 mm kabl)	529 96 69-01
Trimi glava	Tri-Cut B (255 mm)	529 96 69-01

Deklaracija o usaglašenosti

EU deklaracija o usaglašenosti

Mi, **Husqvarna AB**, SE-561 82 Huskvarna, Švedska, tel: +46-36-146500, izjavljujemo pod punom odgovornošću da je proizvod:

Opis	Akumulatorski trimer za travu
Marka	Husqvarna
Tip/model	215iL-TC
Identifikacija	Serijski brojevi od 2025 i nadalje

u potpunosti usaglašen sa sledećim EU direktivama i propisima:

Direktiva/Propis	Opis
2006/42/EZ	„koji se odnose na mašine“
2014/30/EU	„koji se odnose na elektromagnetsku kompatibilnost“
2000/14/EZ	„koji se odnose na emisiju buke u okruženju“
2011/65/EU	„koji se odnose na ograničenje upotrebe određenih opasnih supstanci u električnoj i elek-tronskoj opremi“

i da su sledeći standardi i/ili tehničke specifikacije primenjeni: EN 62841-1:2015+A11:2022, IEC 62841-4-4:2020, EN ISO 12100:2010, EN IEC 63000:2018, EN IEC 55014-1:2021; EN IEC 55014-2:2021.

Ovlašćeno telo: 0036 TÜV SÜD Industrie Service GmbH, Westendstraße199,80686 München,Germany je sertifikovalo usaglašenost sa direktivom veća 2000/14/EZ, postupak za procenu usaglašenosti: Aneks VI.

Za informacije o emisiji buke pogledajte *Tehnički podaci na stranici 425.*

Huskvarna, 2025-01-10



Claes Losdal, menadžer sektora za istraživanje i razvoj, Husqvarna AB

Odgovoran za tehničku dokumentaciju



Innehåll

Introduktion.....	428	Transport, förvaring och kassering.....	440
Säkerhet.....	429	Tekniska data.....	440
Montering.....	435	Tillbehör.....	442
Drift.....	436	Försäkran om överensstämmelse.....	443
Underhåll.....	438	Bilaga	478
Felsökning.....	439		

Introduktion

Produktbeskrivning

Husqvarna 215iL-TC är en batteridrivna grästrimmer med elmotor.

Arbetet med att öka din säkerhet och effektivitet under användning pågår ständigt. Prata med en serviceverkstad för mer information.

Avsedd användning

Produkten används med plastblad som inte är gjorda av metall. Använd inte produkten för annat än att klippa ogräs, gräs eller liknande mjuk vegetation.

Produktöversikt

(Fig. 1)

1. Trimmerhuvud Tri-Cut
2. Skärutrustningens skydd
3. Skaft
4. Ratt för axeljustering (teleskop)
5. Loophandtag
6. Knappsats
7. Varningsindikator för knappsats
8. Start-/stopppknapp
9. SavE-knapp
10. Gasreglage
11. Gasreglagespärr
12. Ström- och varningsindikator
13. Koppling
14. Batteriladdare 40-C80
15. Växtskyddsbygel
16. Varningsindikator för batteri
17. Batteristatus
18. Batteriindikatorknapp
19. Frigöringsknappar för batteri
20. Batteri
21. Kombinationsverktyg
22. Medbringare
23. Bruksanvisning

Notera: Nationella regler kan begränsa användningen av produkten.

Använd endast produkten med tillbehör som är godkända av tillverkaren. Se *Tillbehör på sida 442*.

Symboler på produkten

- (Fig. 2) **WARNING!** Den här produkten kan vara farlig och kan orsaka allvarlig eller livshotande skada för användaren och andra. Var försiktig och använd produkten på rätt sätt.
- (Fig. 3) Läs igenom bruksanvisningen noggrant och se till att du förstår instruktionerna innan användning.
- (Fig. 4) Sätt på ögon- och hörselskydd.
- (Fig. 5) Utsätt inte för regn.
- (Fig. 6) Miljömärkning för bulleremission enligt EU- (inklusive lagstiftning för New South Wales) och brittiska direktiv och bestämmelser. Information om bulleremission finns på maskinens etikett och i avsnittet Tekniska data. Gäller endast när produkten är utrustad med en trimmerlina.
- (Fig. 7) Se upp för slungade föremål.
- (Fig. 8) Koppla bort batteriet före underhåll.

(Fig. 9) Produkten eller dess förpackning är inte hushållsavfall. Återvinn den vid en återvinningsstation för elektrisk och elektronisk utrustning.

(Fig. 10) Produkten överensstämmer med gällande EU-direktiv.

(Fig. 16)

Avståndet mellan maskinen och åskådare ska vara minst 15 m.

(Fig. 17)

Använd inte metallknivar.

yyyywwxxxx

Typskylten eller laserskriften visar serienumret. **yyyy** är produktionsåret och **ww** är produktionsveckan.

(Fig. 11) Produkten överensstämmer med gällande brittiska direktiv.

(Fig. 12) Likström.

Symboler på batteriet och/eller på batteriladdaren

(Fig. 18)

Återvinn produkten vid en återvinningsstation för elektrisk och elektronisk utrustning. (Gäller endast Europa)

(Fig. 13)

Transformator med automatisk säkerhetsanordning.

(Fig. 14)

Använd och förvara endast batteriladdaren inomhus.

(Fig. 15) Dubbelisolerad.

Produktskada

Vi ansvarar inte för skador på vår produkt om:

- produkten repareras felaktigt
- produkten repareras med delar som inte kommer från tillverkaren eller inte har godkänts av tillverkaren
- produkten har ett tillbehör som inte kommer från tillverkaren eller inte har godkänts av tillverkaren
- produkten inte repareras vid ett godkänt servicecenter eller av en godkänd person.

Säkerhet

Säkerhetsdefinitioner

Varningar, försiktighetsåtgärder och anmärkningar används för att betona speciellt viktiga delar i bruksanvisningen.



VARNING: Används om det finns risk för skador eller dödsfall för användaren eller kringstående om anvisningarna i bruksanvisningen inte följs.



OBSERVERA: Används om det finns risk för skada på produkten, annat material eller det angränsande området om anvisningarna i bruksanvisningen inte följs.

Notera: Används för att ge mer information som är nödvändig i en viss situation.

Allmänna maskinsäkerhetsvarningar



VARNING: Gå igenom alla säkerhetsvarningar, instruktioner, illustrationer och specifikationer som

medföljer maskinen. Om du inte följer instruktionerna nedan kan det leda till elektriska stötar, brand och/eller allvarliga skador.

Spara alla varningar och instruktioner som referens.

Notera: I varningarna syftar begreppet "maskin" på en maskin som antingen är ansluten till en strömkälla (med sladd) eller drivs av batteri (sladdlöst).

Säkerhet i arbetsområdet

- **Arbetsområdet ska hållas välordnat och väl belyst.** I röriga eller mörka arbetsområden händer det lätt olyckor.
- **Använd inte maskinen i explosiva miljöer, t.ex. där det finns brandfarliga vätskor, gaser eller damm.** Gnistor från maskiner kan antända damm eller ångor.
- **Håll barn och personer i närheten på avstånd när du använder en maskin.** Om du blir distraherad kan du tappa kontrollen.

Elsäkerhet

- **Maskinens kontakter måste passa i uttaget. Förändra aldrig kontakten på något sätt. Använd inga adapterkontakter med jordade maskiner.** Oförändrade stickproppar och motsvarande vägguttag minskar riskerna för elektriska stötar.
- **Undvik kroppskontakt med jordade ytor, t.ex. rörledningar, värmeelement, spisar och kylskåp.** Risken för elektriska stötar ökar om kroppen är jordad.
- **Utsätt inte maskiner för regn eller våta förhållanden.** Om vatten tränger in i en maskin ökar risken för elektriska stötar.
- **Använd inte sladden på fel sätt. Använd inte sladden för att bära eller dra maskinen eller för att koppla ur produkten från eluttaget. Håll sladden borta från värme, olja, vassa kanter och rörliga delar.** Skadade eller trassliga sladdar ökar risken för elektrisk stöt.
- **När du använder en maskin utomhus ska du även använda en förlängningssladd för utomhusbruk.** Om du använder en sladd för utomhusbruk minskar risken för elektriska stötar.
- **Om det är oundvikligt att köra en maskin i en fuktig miljö ska du använda en jordfelsbrytare (RCD).** Med jordfelsbrytare minskar risken för elektriska stötar.

Personligt skydd

- **Var på din vakt, var uppmärksam på vad du gör och använd sunt förnuft när du använder en maskin. Använd inte en maskin om du är trött eller påverkad av droger, alkohol eller mediciner.** Ett ögonblick av ouppmärksamhet när du använder maskiner kan leda till allvarlig personskada.
- **Använd personlig skyddsutrustning. Använd alltid ögonskydd.** Lämplig skyddsutrustning som ansiktsmask, halkfria skyddsskor, hjälm och hörselskydd minskar risken för personskador.
- **Förhindra oavsiktlig start. Se till att strömbrytaren är fränslagen innan du ansluter maskinen till en strömkälla eller ett batteripack samt innan du tar upp eller bär maskinen.** Risken för olyckor är stor om du bär maskiner med fingret på strömbrytaren eller tillför ström till maskiner med strömbrytare påslagen.
- **Ta bort eventuella justeringsnycklar eller skiftnycklar innan du slår på maskinen.** Skiftnycklar som lämnas kvar i maskinens rörliga delar kan orsaka personskada.
- **Sträck dig inte för långt. Ha alltid stadigt fotfäste och god balans.** Det ger dig större kontroll över maskinen i oväntade situationer.
- **Använd ordentliga arbetskläder. Använd inte löst sittande kläder eller smycken. Håll hår och kläder borta från rörliga delar.** Lösa kläder, smycken och långt hår kan fastna i rörliga delar.
- **Om det finns anordningar för anslutning av enheter för uppsamling av damm ska du se till att dessa är ordentligt anslutna och att de används på rätt sätt.** Dammuppsamling kan minska dammrelaterad fara.

- **Tillåt inte dig själv att bli för avslappnad, även om du har erfarenhet av regelbunden användning av maskiner, så att du börjar strunta i maskinsäkerheten.** En slarvig handling kan orsaka allvarlig skada på mindre än en sekund.

Användning och skötsel av maskinen

- **Använd inte onödig kraft. Använd den maskin som är rätt för aktuellt syfte.** Med rätt maskin utför du ett bättre och säkrare jobb med den hastighet som maskinen är utformad för.
- **Använd inte maskinen om du inte kan starta och stänga av den med strömbrytaren.** Maskiner som inte kan regleras med strömbrytaren är farliga och måste repareras.
- **Koppla bort kontakten från strömkällan och/eller ta bort batteriet (om det kan tas bort) innan du gör några justeringar, byter tillbehör eller förvarar maskiner.** Sådana förebyggande säkerhetsåtgärder minskar risken för att maskinen startas oavsiktligt.
- **Förvara maskiner utom räckhåll för barn när de inte används. Se till att personer som inte tidigare har hanterat maskinerna eller som inte har läst instruktionerna inte använder dem.** Maskiner är farliga om de används av ovana användare.
- **Underhåll maskiner och tillbehör. Kontrollera att rörliga delar ligger i linje och inte kärvar. Kontrollera även om det finns skadade delar eller om det föreligger andra förhållanden som kan påverka maskinens funktion. Om maskinen är skadad ska den repareras innan den används igen.** Många olyckor sker på grund av att rätt underhåll inte har utförts på maskinerna.
- **Håll skärverktyg vassa och rena.** Kapmaskiner med vassa eggjar som underhålls på rätt sätt kärvar mer sällan och är lättare att styra.
- **Använd maskinen, tillbehören och delarna enligt de här instruktionerna. Tänk på att ta hänsyn till arbetsförhållandena och det arbete som ska utföras.** Användning av maskinen för andra syften än de avsedda kan resultera i en farlig situation.
- **Håll handtagen och greppytorna torra, rena och fria från olja och fett.** Hala handtag och greppyor innebär att det inte är säkert att hantera och styra maskinen i oväntade situationer.

Använda och underhålla batteridrivna maskiner

- **Ladda endast upp med den laddare som anges av tillverkaren.** En laddare som är lämplig för en typ av batteripack kan utgöra en brandrisk när den används med ett annat batteripack.
- **Använd endast maskiner med särskilt avsedda batteripack.** Användning av andra batterier kan innebära risk för skada och brand.
- **När batteriet inte används ska du hålla det borta från andra metallföremål, som gem, mynt, nycklar, spikar, skruvar och andra små metallföremål, som kan skapa en anslutning mellan kontakterna.** Kortslutning

av batteriets kontakter kan orsaka brännskador eller brand.

- **Vid felaktig användning kan vätska spruta ut från batteriet. Undvik kontakt. Om kontakt inträffar av misstag ska du skölja med vatten. Om du får vätska i ögonen ska du kontakta vården.** Vätska som sprutar ut från batteriet kan orsaka irritation eller sveda.
- **Använd inte ett batteripack eller en maskin som har skador eller har modifierats.** Skadade eller modifierade batterier kan uppvisa oförutsägbart beteende vilket kan leda till brand, explosion eller risk för skada.
- **Utsätt inte ett batteripack eller en maskin för eld eller för höga temperaturer.** Om de utsätts för brand eller temperatur över 130 °C kan de explodera.
- **Följ alla anvisningar för laddning och ladda aldrig batteripack eller maskinen utanför det temperaturintervall som anges i anvisningarna.** Felaktig laddning eller temperaturer utanför det specificerade intervallet kan skada batteriet och öka risken för brand.

Service

- **Låt en kvalificerad reparatör, som endast använder identiska reservdelar, serva din maskin.** På så sätt garanterar du att säkerheten för din maskin upprätthålls.
- **Utför aldrig underhåll på skadade batteripack.** Underhåll på batteripack bör endast utföras av tillverkaren eller auktoriserade tjänsteleverantörer.

Säkerhetsvarningar för grässtrimmern

- **Använd inte maskinen i dåligt väder, i synnerhet inte vid risk för blixtnedslag.** Det minskar risken att träffas av blixten.
- **Kontrollera om det finns vilda djur i området där maskinen ska användas.** Vilda djur kan skadas av maskinen under drift.
- **Kontrollera noga området där maskinen ska användas och ta bort alla stenar, kvistar, kablar, ben och andra främmande föremål.** Utslungade föremål kan orsaka personskador.
- **Innan du använder maskinen ska du alltid inspektera den visuellt för att kontrollera att klingan eller kniven, och kling- eller knivenheten inte är skadade.** Skadade delar ökar skaderisken.
- **Följ anvisningarna för byte av tillbehör.** Felaktigt åtdragna klingmuttrar eller -bultar kan antingen skada klingan eller leda till att den lossnar.
- **Använd ögon-, öron-, huvud- och handskydd.** Lämplig skyddsutrustning minskar personskador på grund av skräp som slungas ut eller oavsiktlig kontakt med klingorna eller linorna.
- **Ha alltid halksäkra skyddsskor på dig när du använder maskinen. Använd aldrig maskinen barfota eller med öppna sandaler.** Detta minskar risken för skador på fötterna på grund av rörliga klingor eller linor.
- **Ha alltid på dig långbyxor när du använder maskinen.** Exponerad hud ökar risken för skador från utkastade föremål.
- **Håll kringstående personer på avstånd när du använder maskinen.** Skräp som slungas iväg kan orsaka allvarliga personskador.
- **Använd alltid båda händerna när du använder maskinen.** Om du håller maskinen med båda händerna undviker du att förlora kontrollen över den.
- **Håll endast maskinen i de isolerade greppytorna eftersom trimmerlinan eller klingan kan komma i kontakt med dolda ledningar.** Om trimmerlinan eller klingan kommer i kontakt med en strömförande ledning kan maskinens metalldelar strömsättas och ge användaren en elektrisk stöt.
- **Stå alltid stadigt och använd endast maskinen när du står på marken.** Hala eller instabila ytor kan få dig att tappa balansen eller kontrollen över maskinen.
- **Använd inte maskinen i för branta lutningar.** Detta minskar risken för att du tappar kontrollen, halkar eller ramlar, som kan resultera i personskador.
- **När du arbetar i lutningar ska du alltid stå stadigt, alltid arbeta tvärs över lutningen snarare än uppifrån och ner och vara oerhört försiktig när du byter riktning.** Detta minskar risken för att du tappar kontrollen, halkar eller ramlar, som kan resultera i personskador.
- **Håll alla kroppsdelar borta från kniven, linan eller klingan när maskinen är i drift. Innan du startar maskinen ska du se till att kniven, linan eller klingan inte kommer i kontakt med något.** Ett ögonblick av ouppmärksamhet när du använder maskinen kan leda till allvarlig personskada på dig och andra.
- **Kör inte maskinen över midjehöjd.** Detta hjälper till att förhindra oavsiktlig kontakt med klingan eller kniven och ger ökad kontroll över maskinen i oväntade situationer.
- **När du sågar snårskog och ungråd som är spända ska du se upp för återfjädring.** När spänningen i träfibren frigörs kan grenen eller trädet träffa användaren eller göra att maskinen blir okontrollerbar.
- **Var mycket försiktig när du kapar snårskog och ungråd.** Smala växtdelar kan fastna i klingan och piska mot dig eller få dig ur balans.
- **Behåll kontrollen över maskinen och rör inte vid knivar, linor eller klingor och andra farliga rörliga delar medan de fortfarande är i rörelse.** Detta minskar risken för skador som orsakas av rörliga delar.
- **Se till att maskinen är avstängd när du bär den och håll den borta från kroppen.** Korrekt hantering av maskinen minskar risken för oavsiktlig kontakt med den rörliga klingan, linan eller kniven.
- **Använd endast knivar, linor, skårhuvuden och klingor som specificerats av tillverkaren.** Felaktiga reservdelar kan orsaka haveri och skador.
- **När du tar bort material som har fastnat eller utför service på maskinen måste du se till att**

strömbrytaren är avstängd och att batteriet är borttaget. Om maskinen startar när du tar bort material som har fastnat eller när du utför service kan du skada dig allvarligt.

Kontroll före start

- För att undvika ofrivillig start av produkten ska alltid batteriet avlägsnas. Ta alltid ur batteriet innan du utför underhåll på produkten.
- När produkten har utsatts för stötar reparerar du eventuellt slitage och skador innan du använder den.
- Inspektera arbetsområdet. Avlägsna alla lösa föremål, exempelvis stenar, krossat glas, spikar, ståltråd och snören, som kan slungas iväg eller sno in sig i skärutrustningen eller dess skydd.
- Kontrollera motorn med avseende på smuts och sprickor. Gör motorn ren från gräs och löv med hjälp av en borste. Handskar ska användas när det behövs.
- Kontrollera att trimmerhuvudet sitter fast ordentligt på trimmern.
- Kontrollera produkten så att den är i fullgott skick. Kontrollera att alla muttrar och skruvar är åtdragna.
- Kontrollera att trimmerhuvudet och skärutrustningen inte har skador eller sprickor. Byt trimmerhuvud eller skärutrustning om de utsatts för slag eller har sprickor. Använd alltid rekommenderat skydd för den specifika skärutrustningen. Se kapitlet om Tekniska data.
- Användare av produkten ska se till att inga människor eller djur kommer närmare än 15 meter under arbetet. När flera användare arbetar inom samma område ska säkerhetsavståndet vara minst 15 meter.
- Gör en total kontroll av produkten före användning. Se underhållsschemat.
- Nationella eller lokala föreskrifter kan reglera användningen. Följ givna föreskrifter.

Använd alltid sunt förnuft

Det är omöjligt att täcka alla tänkbara situationer du kan ställas inför. Var alltid försiktig och använd sunt förnuft. Undvik situationer som du anser dig otillräckligt kvalificerad för. Om du efter att ha läst dessa instruktioner fortfarande känner dig osäker angående tillvägagångssätt ska du rådfråga en expert innan du fortsätter.



VARNING: Tillåt aldrig barn att använda eller vara i närheten av maskinen. Eftersom maskinen är lätt att starta kan barn starta den om de inte hålls under uppsikt. Detta kan innebära risk för allvarlig personskada. Avlägsna därför alltid batteriet när maskinen inte är under uppsikt.

Allmänna säkerhetsanvisningar



VARNING: Läs varningsinstruktionerna nedan innan du använder produkten.

- För att undvika ofrivillig start av maskinen ska batteriet avlägsnas.
- Denna produkt är ett farligt verktyg om du inte är försiktig eller om du använder produkten felaktigt. Den här produkten kan orsaka allvarlig eller livshotande skada för användaren och andra.
- Använd inte produkten om den ändras från dess första specifikation. Byt inte ut en del av produkten utan tillverkarens godkännande. Använd endast reservdelar som godkänts av tillverkaren. Felaktigt underhåll kan leda till skador eller dödsfall.
- Kontrollera produkten före användning. Se *Säkerhetsanordningar på produkten på sida 433* och *Produktöversikt på sida 428*. Använd inte en produkt som har skador eller inte fungerar korrekt. Utför de säkerhets-, underhålls- och serviceinstruktioner som beskrivs i denna bruksanvisning.
- Barn ska övervakas för att garantera att de inte leker med produkten. Låt aldrig barn eller andra personer som inte utbildats i handhavande av produkten och/eller batteriet använda eller underhålla den. Lokala föreskrifter kan reglera användarens ålder.
- Förvara produkten i ett låst utrymme för att förhindra åtkomst för barn eller personer som inte är behöriga.
- Förvara produkten oåtkomlig för barn.
- Enhetens ursprungliga utformning får inte under några omständigheter ändras utan tillstånd från tillverkaren. Använd alltid originaltillbehör. Ändringar och/eller tillbehör som inte är godkända kan medföra allvarliga personskador eller dödsfall för användaren och andra.
- Det deklarerade totala vibrationsvärdet har uppmätts i enlighet med en standardtestmetod och kan användas för jämförelse av ett verktyg med ett annat.
- Det deklarerade totala vibrationsvärdet kan även användas vid en preliminär bedömning av exponering.
- Vibrationsnivån vid användning av elverktyget kan skilja sig från det angivna totala värdet beroende på hur verktyget används. Användarna bör fastställa säkerhetsåtgärder för att skydda sig själva som är baserade på en uppskattning av exponeringen vid faktiska användningsförhållanden (med beaktande av alla delar av arbetscykeln, som när verktyget är avstängt, när det går på tomgång och när det används).

Notera: Nationella eller lokala lagar kan reglera användningen. Följ givna föreskrifter.

Personlig skyddsutrustning



VARNING: Läs varningsinstruktionerna nedan innan du använder produkten.

- Använd alltid godkänd personlig skyddsutrustning när du använder produkten. Personlig skyddsutrustning kan inte eliminera skaderisken helt, men den reducerar effekten av en skada vid ett eventuellt olyckstillbud. Be din återförsäljare om hjälp med att välja rätt utrustning.
- Använd godkända hörselskydd.

(Fig. 19)

- Använd godkänt ögonskydd. Används visir måste även godkända skyddsglasögon användas. Godkända skyddsglasögon måste uppfylla standarden ANSI Z87.1 i USA och SS-EN 166 i EU-länder.

(Fig. 20)

- Använd handskar vid behov, till exempel när du ansluter, undersöker eller rengör skärutrustningen. (Fig. 21)
- Använd skyddskängor med stålhätta och halkfri sula.

(Fig. 22)

- Ha på dig kläder i slitstarkt material. Bär alltid kraftiga långbyxor och överdel med långa ärmar. Använd inte löst sittande kläder som kan fastna i kvistar och grenar. Använd inte smycken, korta byxor eller sandaler. Gå inte barfota. Sätt upp håret ordentligt så att det inte hänger nedanför axlarna.
- Ha första förband nära till hands.

(Fig. 23)

Säkerhetsanordningar på produkten



VARNING: Läs varningsinstruktionerna nedan innan du använder produkten.

I detta avsnitt beskrivs produktens säkerhetsfunktioner, dess syfte samt hur kontroller och underhåll ska utföras för att säkerställa att den fungerar korrekt. Se anvisningar under rubrik *Introduktion på sida 428* för att ta reda på var dessa delar finns på din produkt.

Produktens livslängd kan förkortas och risken för olyckor kan öka om underhåll av produkten inte utförs på rätt sätt och om service och/eller reparationer inte utförs av specialutbildade tekniker. Kontakta din serviceverkstad om du behöver ytterligare information.



VARNING: Använd aldrig en produkt med skadade säkerhetskomponenter. Produktens säkerhetsutrustning ska kontrolleras och underhållas som beskrivs i detta avsnitt. Om din produkt inte klarar alla

kontrollerna ska serviceverkstad uppsökas för reparation.



OBSERVERA: All service och reparation av maskinen kräver specialutbildning. Detta gäller särskilt maskinens säkerhetsutrustning. Om maskinen inte klarar någon av nedan listade kontroller ska du uppsöka en serviceverkstad. Ett köp av någon av våra produkter garanterar att du kan få en fackmannamässig reparation och service utförd. Om inköpsstället för maskinen inte är en av våra serviceverkstäder ska du fråga dem efter närmaste serviceverkstad.

Kontrollera knappsatsen

1. Tryck in och håll start-/stoppknappen (A) intryckt. (Fig. 24)
 - a) Produkten är påslagen när lysdioden (B) lyser.
 - b) Produkten är avstängd när lysdioden (B) är släckt.
2. Se *Knappsats på sida 439* om varningsindikatorn (C) lyser eller blinkar.

Kontrollera gasreglagespärren

Gasreglagespärren förhindrar oavsiktlig start. När du trycker på gasreglagespärren (A) frikopplas gasreglaget (B). När greppet om handtaget släpps återgår både gasreglaget och gasreglagespärren till sina respektive ursprungslägen. (Fig. 25)

1. Se till att gasreglaget är låst när gasreglagespärren är i sitt ursprungsläge. (Fig. 26)
2. Tryck på gasreglaget och se till att det går tillbaka till sitt ursprungliga läge när du släpper det. (Fig. 27)
3. Kontrollera att gasreglaget och gasreglagespärren rör sig fritt och att deras retur fjädersystem fungerar. (Fig. 28)
4. Starta produkten. Se *Starta produkten på sida 437*.
5. Ge full gas.
6. Släpp gasreglaget och se till att skärutrustningen stannar helt.

Kontrollera skärutrustningens skydd



VARNING: Använd inte skärutrustningen utan ett godkänt skydd som monterats korrekt på skärutrustningen. Använd alltid det rekommenderade skärutrustningsskyddet för den skärutrustning som du använder. Se *Tekniska data på sida 440*. Om fel eller defekt skydd för skärutrustningen monteras, kan det orsaka allvarlig personskada.

Skärutrustningens skydd stoppar föremål som slungas ut mot användaren. Skärutrustningsskyddet förhindrar även skador som kan inträffa om du vidrör skärutrustningen.

1. Stanna motorn.
2. Kontrollera visuellt om det finns skador, till exempel sprickor.
3. Byt ut skärutrustningen om den är skadad.

Skärutrustning

Välj rätt skärutrustning och utför underhåll på skärutrustningen för att:

- Få maximala skärprestanda.
- Öka livslängden på skärutrustningen.



VARNING: Använd endast skärutrustning tillsammans med det skydd som vi rekommenderar! Se *Godkända tillbehör på sida 442*. Se skärutrustningens anvisningar för korrekt laddning av trimmerlinan och plastklingorna.



VARNING: En skadad skärutrustning kan öka risken för olyckor.



VARNING: Stoppa alltid strömmen innan du arbetar med något på skärutrustningen. Den fortsätter att rotera när du släpper gasreglaget. Se till att skärutrustningen har stannat helt och koppla bort batteriet från produkten innan du börjar med något arbete på den.

Skärutrustning



VARNING: Se alltid till att trimmerlinan lindas hårt och jämnt runt trumman för att förhindra skadliga vibrationer.

(Fig. 29)

- Använd endast rekommenderade skärutrustningar.
- Trimmerlinans längd är viktig. En längre trimmerlina fordrar större motorstyrka än en kort, vid samma diameter på trimmerlinan.
- Se till att klingan på skärutrustningens skydd är intakt. Den används för att skära av trimmerlinan till rätt längd.
- Blötlägg trimmerlinan i vatten ett par dagar före användning för att öka livslängden.

Batterisäkerhet



VARNING: Läs varningsinstruktionerna nedan innan du använder produkten.

- Använd endast batterier i BLi-serien och 40-B-serien. Mer information finns i *Tekniska data på sida 440*. Batteriet har krypterad programvara.
- Använd endast laddningsbara batterier för BLi-serien och 40-B-serien som strömförsörjning för relaterade Husqvarna-produkter. På grund av risken för skador ska du inte använda batteriet som strömkälla för andra enheter.
- Risk för elektrisk stöt. Anslut inte batteripolerna till nycklar, mynt, skruvar eller andra metallföremål. Det kan orsaka kortslutning i batteriet.
- Använd inte batterier som inte är laddningsbara.
- Placera inte föremål i luftspringorna på batteriet.
- Håll batteriet borta från direkt solljus, värme och öppen eld. Batteriet kan orsaka brännskador och/eller kemiska brännskador.
- Håll batteriet borta från regn och fuktiga förhållanden.
- Håll batteriet borta från mikro vågor och högt tryck.
- Försök inte ta isär eller krossa batteriet.
- Om batteriet läcker ska du inte låta vätskan komma i kontakt med huden eller ögonen. Om du har rört vid vätskan ska du rengöra området med stora mängder vatten och tvål och kontakta läkare. Om du får vätska i ögonen ska du inte gnugga, utan spola med vatten i minst 15 minuter och kontakta läkare.
- Använd batteriet vid temperaturer mellan $-10\text{ }^{\circ}\text{C}$ ($14\text{ }^{\circ}\text{F}$) och $40\text{ }^{\circ}\text{C}$ ($114\text{ }^{\circ}\text{F}$).
- Rengör inte batteriet eller batteriladdaren med vatten. Se *Rengöra produkten, batteriet och batteriladdaren på sida 438*.
- Använd inte ett defekt eller skadat batteri.
- Håll batterier som förvaras borta från metallföremål, exempelvis spikar, skruvar och smycken.
- Håll batteriet utom räckhåll för barn.

Säkerhet, batteriladdare



VARNING: Läs varningsinstruktionerna nedan innan du använder produkten.

- Risk för elektriska stötar eller kortslutning om säkerhetsinstruktionerna inte följs.
- Använd inte andra batteriladdare än den som medföljde produkten. Använd endast QC80- och 40-C80-laddare när du laddar utbytesbatterier för BLi-serien och 40-B-serien.
- Försök inte plocka isär batteriladdaren.
- Använd aldrig defekta eller skadade batteriladdare.

- Lyft inte batteriladdaren i nätsladden. Koppla bort batteriladdaren från eluttaget genom att dra i kontakten. Dra inte i nätsladden.
- Ha inga sladdar och skarvsladdar nära vatten, olja och skarpa kanter. Var uppmärksam så att inte sladden kläms i dörrar, stängsel eller liknande.
- Använd inte batteriladdaren nära brandfarliga material eller material som kan orsaka korrosion. Se till att batteriladdaren inte är övertäckt. Dra ut stickkontakten till batteriladdaren vid rökutveckling eller brand.
- Ladda endast batteriet inomhus där den inte utsätts för solljus och på en plats med bra luftflöde. Ladda inte batteriet utomhus. Ladda inte batteriet vid fuktiga förhållanden.
- Använd endast batteriladdaren i temperaturer mellan 5 °C (41 °F) och 40 °C (104 °F). Använd laddaren i en miljö med bra luftflöde, som är torr och fri från damm.
- Placera inte föremål i kylningsöppningar på batteriladdaren.
- Anslut inte batteriladdarens kontakter till metallföremål eftersom batteriladdaren kan kortslutas.
- Använd godkända eluttag som inte är skadade. Se till att batteriladdarens sladd inte är skadad. Om förlängningsladd används, se till att den inte är skadad.

- Ladda aldrig batterier som inte är laddningsbara i batteriladdaren.

Säkerhetsinstruktioner för underhåll



VARNING: Läs varningsinstruktionerna nedan innan du utför underhåll på produkten.

- Ta ur batteriet innan du utför underhåll, övriga kontroller eller monterar produkten.
- Användaren får endast utföra underhålls- och servicearbeten som beskrivs i denna bruksanvisning. Vänd dig till en serviceverkstad för underhåll och service av större omfattning.
- Rengör inte batteriet eller batteriladdaren med vatten. Starka rengöringsmedel kan orsaka skador på plasten.
- Om du inte utför underhåll minskas produktens livscykel och risken för olyckor ökar.
- Särskild utbildning krävs för allt service- och reparationsarbete, särskilt för produktens säkerhetsanordningar. Om inte alla kontroller i den här bruksanvisningen är godkända efter att du gjort underhåll ska du kontakta din serviceverkstad. Vi garanterar att det finns professionella reparationer och service tillgängliga för din produkt.
- Använd endast originaltillbehör.

Montering

Introduktion



VARNING: Läs och förstå säkerhetskapitlet innan du monterar produkten.

Montera skärutrustningsskyddet

1. Placera skärutrustningen mot motorhuset. (Fig. 30)
2. Kontrollera låshakarna. (Fig. 31)
3. Dra åt bulten. Använd en kombinyckel. (Fig. 32)
4. Dra åt bulten.

Så här byter du skärutrustning

1. För in kombinyckeln i hålet så att riggröret låses. (Fig. 33)
2. Vrid skärutrustningen och tryck försiktigt på kombinyckeln tills den utgående axeln är blockerad.
3. Vrid skärutrustningen medurs för att ta bort det. Se till att medbringarhjulet sitter på plats innan du monterar skärutrustningen. (Fig. 34)
4. Montera den nya skärutrustningen i motsatt ordning. (Fig. 35) (Fig. 36)

Notera: Se till att medbringarhjulet är korrekt placerad innan du monterar skärutrustningen.

Montera växtskyddsbygeln

1. Montera växtskyddsbygeln i hålen på motorhöljet. (Fig. 37)
2. Se till att växtskyddsbygeln kan röra sig fritt framåt och bakåt. (Fig. 38)

Så monterar du loophandtaget

1. Montera skruven i loophandtaget. (Fig. 39)
2. Montera loophandtaget på fästet på riggröret.
3. Dra åt skruvarna.
4. Justera loophandtaget till korrekt läge. Se *Justera loophandtaget och det teleskopiska riggröret på sida 437*.

Montera batteriladdaren 40-C80 på väggen



OBSERVERA: Använd inte en elektrisk skruvmejsel för att montera batteriladdaren på väggen. En elektrisk skruvmejsel kan skada batteriladdaren.

1. Installera batteriladdaren på väggen med de två skruvarna (A). Använd väggpluggar (B) vid behov. (Fig. 40)
2. Montera de två skruvhålspluggarna (C).
3. Anslut batteriladdarens nätsladd (D) till ett vägguttag.

Drift

Introduktion



VARNING: Läs och förstå säkerhetskapitlet innan du använder produkten.

Innan du använder produkten

- Undersök arbetsområdet för att se till att du vet vilken typ av terräng det är. Undersök markens lutning och om det finns hinder såsom stenar, grenar och diken.
- Gör en allmän inspektion av produkten.
- Utför säkerhetsinspektioner, underhåll och service enligt den här bruksanvisningen.
- Kontrollera motorn med avseende på smuts och sprickor. Använd en borste för ta bort gräs och löv från motorn. Använd handskar när det är nödvändigt.
- Undersök om trimmerhuvudet och skärutrustningens skydd har skador eller sprickor. Byt ut trimmerhuvudet och skärutrustningens skydd om de har träffats av något eller om de har sprickor.
- Se till att alla skruvar och muttrar är åtdragna.
- Se till att alla kåpor, skydd, handtag och skärutrustning är korrekt anslutna och inte skadade innan du startar produkten.

Batteri



VARNING: Läs och förstå säkerhetskapitlet innan du använder batteriet. Läs noga igenom bruksanvisningen som medföljer batteriet och batteriladdaren.

Förvara batteriet och batteriladdaren i rätt omgivningstemperatur.

	Omgivningstemperatur
Användning av produkten	-5 till 40 °C/23 till 104 °F
Laddning av batteri	5-40 °C/41-104 °F

Batteristatus

Displayen visar laddningsstatusen och om det föreligger problem med batteriet.

(Fig. 41)

LED-kontrollampa	Batteristatus (laddningsstatus)	
	BLI10, BLI20	40-B70, 40-B140
Fyra lysdioder lyser	Ej tillämpligt	Batteriet är 76 %–100 % laddat.
Tre lysdioder lyser	Batteriet är 76 %–100 % laddat.	Batteriet är 51 %–75 % laddat.
Två lysdioder lyser	Batteriet är 51 %–75 % laddat.	Batteriet är 26 %–50 % laddat.
En lysdiod lyser	Batteriet är 26 %–50 % laddat.	Batteriet är 6 %–25 % laddat.
En lysdiod blinkar	Batteriet är 0%–25 % laddat.	Batteriet är 0 %–5 % laddat.

Att ladda batteriet

Ladda batteriet om det är första gången du använder det. Ett nytt batteri är endast 30 % laddat.



OBSERVERA: Anslut batteriladdaren till den spänning och frekvens som anges på typskylten.

Batteriet laddas inte om batteritemperaturen överstiger 50 °C.

1. Anslut strömkabeln till batteriladdaren.

2. Anslut batteriladdaren till ett jordat nätuttag. Laddningslampan blinkar en gång. (Fig. 42)
3. Anslut batteriet till batteriladdaren. Den gröna lampan tänds. Ladda batteriet i högst 24 timmar. (Fig. 43)
4. Tryck på batteriindikatorknappen. Om alla kontrollampor tänds är batteriet fulladdat.
5. Dra ut nätkontakten för att koppla bort batteriladdaren från nätuttaget. Dra inte i strömkabeln.
6. Ta ut batteriet ur batteriladdaren.

Ansluta batteriet till produkten



VARNING: Använd endast originalbatteriet Husqvarna för produkten.

1. Ladda batteriet fullt.
2. Skjut in batteriet i produktens batterihållare. Batteriet läses på plats när du hör ett klickljud. (Fig. 44)



OBSERVERA: Om batteriet inte går enkelt in i batterihållaren är det inte korrekt installerat. Det kan orsaka skador på produkten.

Starta produkten

1. Håll start-/stoppknappen intryckt tills den gröna lysdioden tänds. (Fig. 45)
2. Tryck på gasreglagespärren och gasreglaget. Skärutrustningen börjar rotera.

Justera loophandtaget och det teleskopiska riggröret

1. Lossa på låsvredet och justera loophandtaget till önskat läge. (Fig. 46)
2. Stäng låshandtaget.
3. Lossa spaken på riggröret. (Fig. 47)
4. Ställ in den nödvändiga längden på riggröret. Se till att du kan se triangeln på röret. (Fig. 48)
5. Stäng spaken och dra åt skruven.

Notera: Placera inte slinghandtaget på varningsdekalerna på riggröret.

Använda SavE-funktionen

Den här produkten har en energisparfunktion, SavE.

Notera: SavE-funktionen minskar inte produktens klippkraft.

1. Tryck på SavE-knappen på knappsatsen.
2. Kontrollera att den gröna lysdioden tänds.
3. Tryck på SavE-knappen igen för att koppla från funktionen. Den gröna lampan slocknar. (Fig. 49)

Automatisk avstängningsfunktion

Produkten har en avstängningsfunktion som stoppar produkten om den inte används. Den gröna lysdioden för start/stopp-indikering släcks och produkten stannar efter 180 sekunder.

Använda produkten

Klippa gräset

1. Se till att plastklingorna eller trimmerlinan är parallell med marken när du klipper gräset. (Fig. 50)
2. Tryck inte ned Tri-Cut/trimmerhuvudet mot marken. Det kan orsaka skador på produkten.

Notera: Låg omgivningstemperatur nära 0 °C kan orsaka att klingan eller trimmerlinan går sönder.

3. För produkten från sida till sida när du klipper gräset. (Fig. 51)

Notera: Använd inte produkten med en skärutrustning som är skadad. Ett skadad skärutrustning kan orsaka obalans som kan skada produkten.

Sopa gräset

Luffflödet från de roterande plastklingorna eller trimmerlinan kan användas för att ta bort klippt gräs från ett område.

1. Håll trimmerhuvudet, plastklingorna och trimmerlinan parallellt mot och ovanför marken.
2. Applicera fullt varvtal.
3. För skärutrustningen från sida till sida och sopa bort gräset.



VARNING: Rengör skärutrustningsskyddet varje gång du monterar nya plastklingor eller en ny trimmerlina för att förhindra obalans och vibrationer i handtagen. Gör även en kontroll av andra delar av skärutrustningen och rengör det vid behov.

Så här trimmar du nära objekt

1. Dra ner växtskyddet. (Fig. 52)
2. Använd växtskyddet för att undvika skador på andra föremål. (Fig. 53)

Stoppa produkten

1. Släpp gasreglaget och gasreglagespärren.
2. Tryck på start-/stoppknappen tills den gröna lysdioden slocknar.
3. Tryck på frigöringsknapparna på batteriet och ta ut batteriet från produkten. (Fig. 54)

Så här byter du ut plastknivarna eller trimmerlinan

Se de sista sidorna i den här användarhandboken.

Underhåll

Introduktion



VARNING: Läs och förstå säkerhetskapitlet innan du utför underhåll på produkten.

Nedan följer en lista över de underhållssteg som ska utföras på produkten. Se *Produktöversikt på sida 428* för mer information.

Underhållsschema



VARNING: Ta bort batteriet innan du utför underhåll.

Underhåll	Dagligen	Varje vecka	Varje månad
Rengör produktens yttre delar med en torr trasa. Använd inte vatten.	X		
Se till att start- och stoppknappen fungerar och inte är defekt.	X		
Kontrollera att gasreglaget och gasreglagespärren fungerar korrekt säkerhetsmässigt.	X		
Se till att handtagen är torra och rena.	X		
Se till att skärutrustningens skydd inte är skadat. Byt ut skärutrustningen om den är skadad.	X		
Se till att handtaget eller styrstängens inte är skadade och att de är rätt anslutna.	X		
Kontrollera teleskopskaffets låsmekanism. Se <i>Så här kontrollerar du teleskopskaffets låsmekanism på sida 439</i> .	X		
Kontrollera batteriladdaren och att se till att den fungerar korrekt och att den inte är defekt.	X		
Se till att batteriet inte är skadat.	X		
Se till att batteriet är laddat.	X		
Se till att batteriladdaren inte är skadad.	X		
Se till att de yttre skruvarna och muttrarna är åtdragna.		X	
Se till att frigöringsknapparna på batteriet fungerar som de ska och låser fast batteriet i produkten.		X	
Kontrollera om det finns fett i trimmerhuvudets spole.		X	
Rengör och kontrollera anslutningarna mellan batteriet och produkten.			X
Rengör och kontrollera anslutningen mellan batteriet och batteriladdaren.			X

Undersöka batteriet och batteriladdaren

1. Undersök om batteriet har skador, till exempel sprickor.
2. Undersök om batteriladdaren har skador, till exempel sprickor.

3. Kontrollera att anslutningsladdaren till batteriladdaren är oskadad och att inga sprickor finns.

Rengöra produkten, batteriet och batteriladdaren

1. Rengör produkten med en torr trasa efter användning.

2. Rengör batteriet och batteriladdaren med en torr trasa. Håll batteriets styrspar rena.
3. Kontrollera att kontakterna på batteriet och batteriladdaren är rena innan batteriet sätts i batteriladdaren eller i produkten.

2. Ta bort Tri-Cut. *Se "Så här tar du bort Tri-Cut" på sista sidan i användarhandboken.*
3. Montera Tri-Cut. *Se Så här byter du skärutrustning på sida 435.*

Så här kontrollerar och byter du ut Tri-Cut

1. Kontrollera om Tri-Cut har skador eller sprickor.

Så här kontrollerar du teleskopskaftets låsmekanism

1. Kontrollera teleskopaxelns låsmekanism.
2. Justera vridmomentet. (Fig. 55)

Felsökning

Knappsats

LED-skärm	Eventuella fel	Möjliga lösningar
Lysdioden för fel blinkar.	Överbelastning	Skärutrustningen kan inte röra sig fritt. Frigör skärutrustningen.
	Temperaturavvikelse	Låt produkten svalna.
Produkten startar inte.	Tryck på gasreglaget och tryck samtidigt på startknappen.	Släpp gasreglaget och stoppa produkten.
Lysdioden för fel tänds med rött ljus.	Man måste utföra service på produkten	Vänd dig till en serviceverkstad.

Batteri

LED-display	Eventuella fel	Möjlig åtgärd
Den gröna lysdioden blinkar.	Låg batterispänning.	Ladda batteriet.
Lysdioden för fel blinkar.	Temperaturavvikelse.	Använd batteriet vid temperaturer mellan -10°C (14°F) och 40°C (104°F).
	För hög spänning.	Se till att nätspänningen är i linje med det värde som anges på produktens typskylt. Ta ut batteriet ur batteriladdaren.
Lysdioden för fel lyser.	För stor batteriskillnad (1 V).	Vänd dig till en serviceverkstad.

Batteriladdare

Problem	Eventuella fel	Möjlig lösning
Laddningslampan lyser rött.	Permanent batteriladdarfel.	Prata med en återförsäljare.
Laddningslampan blinkar grönt.	Temperaturavvikelse: batteriet är för kallt eller varmt för att användas eller laddas.	Låt batteriet svalna eller vänta tills det har blivit varmare. När batteriet har rätt temperatur kan du använda och ladda det. Använd batteriladdaren i omgivningstemperaturer mellan 5 °C (41 °F) and 40 °C (104 °F).

Problem	Eventuella fel	Möjlig lösning
Laddningslampan blinkar rött.	Trasigt batteri.	Prata med en återförsäljare.

Transport, förvaring och kassering

Transport och förvaring

- Medföljande Li-Ion-batterier uppfyller kraven i lagstiftningen för farligt gods.
- Följ de särskilda kraven för förpackning och etiketter för kommersiella transporter, inklusive av tredje parter och speditörer.
- Tala med en person med särskild utbildning i farliga material innan du skickar produkten. Följ alla tillämpliga nationella föreskrifter.
- Använd tejp på öppna kontakter när du lägger batteriet i en förpackning. Lägg batteriet trångt i förpackningen för att förhindra rörelse.
- Ta ur batteriet vid förvaring eller transport.
- Placera batteriet och batteriladdaren i ett utrymme som är torrt och fritt från fukt och frost.
- Förvara inte batteriet på ställen där statisk elektricitet kan uppkomma. Förvara inte batteriet i en metallåda.
- Förvara batteriet på en plats där temperaturen är mellan 5 och 25°C, och inte i direkt solljus.
- Förvara batteriladdaren på en plats där temperaturen är mellan 5 och 45 °C, och inte i direkt solljus.
- Använd endast batteriladdaren när omgivningstemperaturen är mellan 5 och 40°C.
- Ladda batteriet till 30–50 % innan du förvarar det under längre perioder.

- Förvara batteriladdaren på en plats som är stängd och torr.
- Håll batteriet borta från laddaren under förvaring. Låt inte barn och personer som inte är godkända röra utrustningen. Förvara utrustningen på en plats som du kan låsa.
- Rengör produkten och gör en fullständig service innan du ska förvara produkten under en längre tid.
- Använd transportskydd på produkten för att förhindra personskadorna eller skador på produkten under transport och förvaring.
- Sätt fast produkten under transport.

Avyttring av batteriet, laddaren och produkten

Symbolerna på produkten eller dess förpackning indikerar att denna produkt inte får hanteras som hushållsavfall. Återvinn den vid en återvinningsstation för elektrisk och elektronisk utrustning. Detta bidrar till att förhindra skador på miljön och personskadorna.

Kontakta lokala myndigheter, hushållsavfallsservice eller en återförsäljare för mer information om hur produkten kan återvinnas.

Tekniska data

Tekniska data

	215L-TC
Motor	
Motortyp	BLDC
Varvtal på utgående axel, varv/min	6 800
Klippbredd, mm	255
Vikt	
Vikt utan batteri, kg	2,9

	215IL-TC
Bulleremission ⁷⁶	
Ljudeffektnivå, uppmätt dB(A)	90,8
Ljudeffektnivå, garanterad L _{WA} dB(A)	93
Bullemnivåer ⁷⁷	
Ekvivalent ljudtrycksnivå vid användarens öra, mätt enligt IEC 62841-4-4, dB (A)	81,3
Vibrationsnivåer ⁷⁸	
Vibrationsnivåer i handtag, uppmätt enligt IEC 62841-4-4, m/s ²	3,0/2,7
Utrustad med trimmerhuvud (original), fram / bak.	

Godkända batterier för produkten

Batteri	BLi10		BLi20		40-B70	40-B140
Typ	Litiumjonbatteri		Litiumjonbatteri		Litiumjonbatteri	Litiumjonbatteri
Batterikapacitet, Ah	Se batteritypskylten		Se batteritypskylten		Se batteritypskylten	Se batteritypskylten
Nominell spänning, V	36	36,5	36	36,5	36	36
Vikt, lb/kg	0,7	0,7	1,2	1,2	0,8	1,25

Godkända batteriladdare för produkten

Batteriladdare	QC80	40-C80
Nätspänning, V	100–240	100–240
Frekvens, Hz	50–60	50–60
Effekt, W	100	72
Utspänning, V d. c./ Ampere, A	36/2	43/1,6

⁷⁶ Bulleremission till omgivningen uppmätt som ljudeffekt (L_{WA}) enligt EG-direktiv 2000/14/EG. Skillnaden mellan garanterad och uppmätt ljudeffekt är att den garanterade ljudeffekten också inkluderar spridning i mätresultatet och variationen mellan olika produkter av samma modell enligt direktiv 2000/14/EG.

⁷⁷ Rapporterade data för ekvivalent ljudtrycksnivå för produkten har en typisk statistisk spridning (standardavvikelse) på 3 dB(A).

⁷⁸ Rapporterade data för vibrationsnivå har en typisk statistisk spridning (standardavvikelse) på 1,0 m/s².

Tillbehör

Godkända tillbehör

Godkända tillbehör	Typ	Skärutrustningsskydd, artikelnr.
Trimmerhuvud	R25B (Ø 2 mm lina)	529 96 69-01
Trimmerhuvud	Tri-Cut B (255 mm)	529 96 69-01

Försäkran om överensstämmelse

EU-försäkran om överensstämmelse

Vi, **Husqvarna AB**, 561 82 Huskvarna, Sverige, tel:
+46-36-146500, försäkrar på eget ansvar att produkten:

Beskrivning	Batteridrivna grässtrimmer
Varumärke	Husqvarna
Typ/Modell	215iL-TC
Identifiering	Serienummer daterade 2025 och framåt

uppfyller alla krav i följande EU-direktiv och förordningar:

Direktiv/förordning	Beskrivning
2006/42/EG	"om maskiner"
2014/30/EU	"angående elektromagnetisk kompatibilitet"
2000/14/EG	"angående emission av buller till omgivningen"
2011/65/EU	"angående begränsning av användning av vissa farliga ämnen i elektrisk och elektronisk utrustning"

och att följande standarder och/eller tekniska specifikationer tillämpas: EN 62841-1:2015+A11:2022, IEC 62841-4-4:2020, EN ISO 12100:2010, EN IEC 63000:2018, EN IEC 55014-1:2021; EN IEC 55014-2:2021.

Anmält organ: 0036 TÜV SÜD Industrie Service GmbH, Westendstraße 199, 80686 München, Germany har intygat överensstämmelse med rådets direktiv 2000/14/EG, procedur för utvärdering av överensstämmelse: bilaga VI.

Information om bulleremission finns i *Tekniska data på sida 440*.

Huskvarna, 2025-01-10



Claes Losdal, R&D Manager, Husqvarna AB

Ansvarig för teknisk dokumentation



İçindekiler

Giriş.....	444	Taşıma, depolama ve atma.....	456
Güvenlik.....	445	Teknik veriler.....	457
Montaj.....	451	Aksesuarlar.....	458
Çalışma.....	452	Uyumluluk Bildirimi.....	459
Bakım.....	454	Ek	478
Sorun giderme.....	455		

Giriş

Ürün açıklaması

Husqvarna 215iL-TC, elektrikli motoru bulunan bir akülü çim budayıcıdır.

Kullanım sırasında güvenliğinizi ve verimliliği artırmak için sürekli olarak çalışmalar yapılmaktadır. Daha fazla bilgi için lütfen servis bayinizle görüşün.

Kullanım amacı

Ürün, metalik olmayan plastik bıçaklarla kullanılır. Ürünü ot, çim veya benzeri yumuşak yeşillikleri kesmek dışında başka işler için kullanmayın.

Ürüne genel bakış

(Şek. 1)

1. Budama kafası Tri-Cut
2. Kesim ataşmanı siperliği
3. Mil
4. Mil ayarlama (teleskopik)
5. Yarım daire şeklindeki tutma yeri
6. Tuş takımı
7. Tuş takımı uyarı göstergesi
8. Çalıştırma/durdurma düğmesi
9. SavE düğmesi
10. Güç tetiği
11. Güç tetiği kilidi
12. Güç açma ve uyarı göstergesi
13. Konektör
14. Akü Şarj Cihazı 40-C80
15. Bitki siperliği
16. Akü uyarı göstergesi
17. Akü durumu
18. Akü gösterge düğmesi
19. Akü çıkarma düğmeleri
20. Akü
21. Kombine alet
22. Çalıştırma disk
23. Kullanım kılavuzu

Not: Ulusal düzenlemeler ürünün kullanımını kısıtlayabilir.

Ürünü yalnızca üretici tarafından onaylanmış aksesuarlarla kullanın. Bkz. *Aksesuarlar sayfa: 458*.

Ürün üzerindeki semboller

- (Şek. 2) UYARI: Bu ürün, tehlikeli olabilir ve operatör ya da başkaları açısından ciddi yaralanmalara veya ölüme neden olabilir. Dikkatli olun ve ürünü doğru kullanın.
- (Şek. 3) Kullanım kılavuzunu dikkatle okuyun ve kullanımdan önce talimatları anladığınızdan emin olun.
- (Şek. 4) Koruyucu gözlük ve koruyucu kulaklık takın.
- (Şek. 5) Yağmura maruz bırakmayın.
- (Şek. 6) AB (Yeni Güney Galler mevzuatı da dahil olmak üzere) ve Birleşik Krallık direktifleri ve düzenlemeleri uyarınca çevreye yayılan gürültü emisyonları. Gürültü emisyonu verileri makine etiketinde ve Teknik veriler bölümünde bulunabilir. Yalnızca ürün misina ile donatılmışsa geçerlidir.
- (Şek. 7) Fırlayan nesnelere karşı dikkatli olun.
- (Şek. 8) Bakımdan önce akünün bağlantısını kesin.

(Şek. 9) Ürün ya da ürünün ambalajı evsel atık değildir. Ürünü, elektrikli ve elektronik ekipmanlar için bir geri dönüşüm istasyonunda geri dönüştürün.

(Şek. 10) Ürün, yürürlükteki AB direktiflerine uygundur.

(Şek. 16)

Makine ile yakındaki kişiler arasında en az 15 m (50 ft) mesafe olmalıdır.

(Şek. 17)

Metal bıçaklar kullanmayın.

yyyyhhxxxx

Nominal değerler plakası veya lazer baskı, seri numarasını gösterir. yyyy üretim yılı, hh ise üretim haftasıdır.

(Şek. 11) Ürün yürürlükteki Birleşik Krallık direktiflerine uygundur.

(Şek. 12) Doğru akım.

Akü ve/veya akü şarj cihazı üzerindeki semboller

(Şek. 18)

Bu ürünü, elektrikli ve elektronik ekipmanlar için bir geri dönüşüm istasyonunda geri dönüştürün. (Sadece Avrupa için geçerlidir)

(Şek. 13)

Arıza emniyetli dönüştürücü.

(Şek. 14)

Akü şarj cihazını sadece kapalı mekanlarda kullanın ve saklayın.

(Şek. 15) Çift yalıtım.

Üründe oluşabilecek hasarlar

Aşağıdaki durumlarda ürünümlerde oluşabilecek hasarlardan sorumlu olmayız:

- ürünün hatalı bir şekilde onarılması,
- ürünün, üretici tarafından onaylanmayan veya üreticiden alınmayan parçalarla tamir edilmesi,
- üründe, üreticiden alınmayan veya üretici tarafından onaylanmayan bir aksesuar bulunması,
- ürünün, onaylı bir servis merkezinde veya yetkili bir kurum tarafından tamir edilmemesi.

Güvenlik

Güvenlik tanımları

Kılavuzdaki önemli kısımları vurgulamak için uyarılar ve notlar kullanılmıştır.



UYARI: Kılavuzdaki talimatlara uyulmadığı takdirde operatör veya çevredeki kişiler için ciddi yaralanma veya ölüm tehlikesi varsa kullanılır.



DİKKAT: Kılavuzdaki talimatlara uyulmadığı takdirde ürünün, diğer malzemelerin veya çevrenin zarar görme riski olduğunda kullanılır.

Not: Belirli bir durumda bilgi verilmesi gerektiğinde kullanılır.

Genel makine güvenlik uyarıları



UYARI: Bu makineyle birlikte verilen tüm güvenlik uyarılarını, talimatları, çizimleri ve teknik özellikleri okuyun. Aşağıda listelenen tüm talimatların göz ardı edilmesi

elektrik çarpmasına, yangına ve/veya ciddi yaralanmaya neden olabilir.

Tüm uyarı ve talimatları ilerde başvurmak üzere saklayın.

Not: Uyarılardaki "makine", şebeke akımıyla çalışan (kablolu) makinenizi veya aküyle çalışan (kablesiz) makinenizi belirtmektedir.

Çalışma alanı güvenliği

- **Çalışma alanını temiz ve iyi aydınlatılmış tutun.** Kalabalık veya karanlık alanlar kazalara neden olabilir.
- **Makineyi yanıcı sıvılar, gazlar ya da tozlar bulunan patlama tehlikeli ortamlarda çalıştırmayın.** Makineler tozu ya da buharları tutuşturabilecek kıvılcımlar oluşturur.
- **Makineyi kullanırken çocukları ve diğer kişileri uzak tutun.** Dikkatinizin dağılması, kontrolü kaybetmenizden dolayı olabilir.

Elektrik güvenliği

- **Makine fişleri prize uygun olmalıdır. Hiçbir zaman fişler üzerinde herhangi bir değişiklik yapmayın.**

- **Topraklı (topraklanmış) makinelerle herhangi bir adaptör fiş kullanmayın.** Değiştirilmemiş fişler ve uygun prizler elektrik çarpması riskini azaltır.
- **Boru, radyatör, fırın, buzdolabı gibi topraklı yüzeylerle vücut temasından kaçının.** Vücudunuz topraklı ise elektrik çarpması riski artar.
- **Makineleri yağmura veya ıslak koşullara maruz bırakmayın.** Makineye su girerse elektrik çarpması riski artar.
- **Kabloyu kötü kullanmayın.** Kabloyu asla makineyi taşımak, çekmek veya fişten çıkarmak için kullanmayın. Kabloyu ısıdan, yağdan, keskin kenarlardan veya hareketli parçalardan uzakta tutun. Hasar görmüş veya dolanmış kablolar elektrik çarpması riskini artırır.
- **Makineyi dış mekanda kullanırken, dış mekan kullanımı için uygun bir uzatma kablosu kullanın.** Dış mekan için uygun bir kablo kullanmak, elektrik çarpması riskini azaltır.
- **Makineyi mutlaka nemli bir ortamda çalıştırmanız gerekiyorsa artık akım cihazı (RCD) korumalı bir güç kaynağı kullanın.** RCD kullanmak elektrik çarpması riskini azaltır.

Kişisel güvenlik

- **Makineyi kullanırken tetikte olun, dikkatinizi yaptığınız işe verin ve sağlıklı olun.** Yorgunken veya uyuşturucu, alkol ya da ilaç etkisi altındayken makineyi kullanmayın. Makineleri kullanırken bir anlık bir dikkatsizlik, ciddi yaralanmaya neden olabilir.
- **Kişisel koruyucu ekipmanlar kullanın. Daima koruyucu gözlük takın.** Uygun durumlarda toz maskesi, kaymayan güvenlik ayakkabıları, baret veya kulak koruma ekipmanı gibi koruyucu ekipman kullanımı yaralanmaları azaltır.
- **İstenmeyen çalıştırmaları önleyin. Makineyi güç kaynağına ve/veya akü grubuna bağlamadan, kaldırmadan veya taşımadan önce anahtarın KAPALI konumunda olduğundan emin olun.** Makineleri parmağınız güç anahtarındayken taşımak veya açık durumdaki makinelere enerji vermek kazalara yol açabilir.
- **Makineyi açmadan önce ayarlama anahtarlarını veya İngiliz anahtarlarını çıkarın.** Makinenin dönen kısmına takılı bırakılan İngiliz anahtar veya anahtar yaralanmaya neden olabilir.
- **Makineyi kullanırken erişim alanınızın dışındaki yerlere uzanmaya çalışmayın. Her zaman yere sağlam basın ve dengenizi koruyun.** Bu, makinenin beklenmedik durumlarda daha iyi kontrolünü sağlar.
- **Uygun giyinin. Bol kıyafetler giymeyin veya takı takmayın. Saçınızı ve kıyafetinizi hareketli parçalardan uzakta tutun.** Bol kıyafetler, takılar veya uzun saçlar hareketli parçalara takılabilir.
- **Cihazlar toz çekme ve toplama takımı bağlantısı ile geldiyse bunların bağlı olduğundan ve düzgün kullanıldığından emin olun.** Toz toplama özelliği, tozla ilgili tehlikeleri azaltabilir.

- **Makineleri sık kullanmanın verdiği aşinalıkla kendinizi rahat hissedip makine güvenlik ilkelerini görmezden gelmeyin.** Dikkatsiz eylemler bir anda ağır yaralanmalara neden olabilir.

Makine kullanımı ve bakımı

- **Makineyi zorlamayın. Yapacağınız iş için doğru makineyi kullanın.** Doğru makine, tasarlandığı oranda işi daha iyi ve güvenli yapar.
- **Güç anahtarını, makineyi açıp kapatmıyorsa makineyi kullanmayın.** Güç anahtarıyla kontrol edilemeyen makineler tehlikelidir ve onarılmalıdır.
- **Herhangi bir ayarlama yapmadan, aksesuar değiştirmeden veya makineleri depolamadan önce makinenin fişini güç kaynağından çekin ve/veya çıkarılabirise akü grubunu çıkarın.** Bu tür önleyici güvenlik önlemleri, makinenin kazara çalıştırılma riskini azaltır.
- **Kullanılmayan makineleri çocukların erişemeyeceği yerde saklayın ve makinelere veya bu talimatlara yabancı olan kişilerin makineleri çalıştırmasına izin vermeyin.** Makineler, eğitimsiz kullanıcıların elinde tehlikelidir.
- **Makine ve aksesuarların bakımını yapın.** Hareketli parçaların yanlış konumlandırılması veya bağlanması, parçaların kırılması ve makinenin çalışmasını etkileyebilecek herhangi bir durum olup olmadığını kontrol edin. Hasarlıysa kullanmadan önce makinenin onarılmasını sağlayın. Çok sayıda kaza, yetersiz bakım yapılmış makinelerden kaynaklanmaktadır.
- **Kesme aletlerini keskin ve temiz tutun.** Bakımı düzgün yapılmış, kesici kenarları yeterli keskinlikte olan kesme makinelerinin takılma ihtimali daha az olup kontrol edilmeleri de daha kolaydır.
- **Makine, aksesuarlar, parçalar vb. bileşenleri, çalışma koşullarını ve yapılacak işi göz önünde bulundurarak bu talimatlara uygun şekilde kullanın.** Makinenin tasarlanan amaçlar dışında kullanılması tehlikeli bir duruma yol açabilir.
- **Tutma yerlerini ve kavrama yüzeylerini kuru, temiz, gres ve yağdan arındırılmış halde tutun.** Kaygan tutma yerleri ve kavrama yüzeyleri, beklenmeyen durumlarda makinenin güvenli kullanımına ve kontrolüne izin vermez.

Akülü makine kullanımı ve bakımı

- **Sadece üreticinin belirttiği şarj aletiyle şarj edin.** Bir akü grubu için uygun olan bir şarj aleti başka bir akü grubuyla kullanıldığında yangın riski doğurabilir.
- **Makineleri yalnızca özel olarak belirlenmiş akü gruplarıyla kullanın.** Farklı türde akü gruplarının kullanılması yangın ve yaralanma riski doğurabilir.
- **Akü grubunu, kullanımda değilken ataç, bozuk para, anahtar, çivi, vida veya diğer küçük metal cisimler gibi bir ucun başka bir uca bağlanmasına neden olabilecek cisimlerden uzak tutun.** Akü uçlarının kısa devre yapması yangınlara veya yangına neden olabilir.

- **Zorlayıcı koşullarda aküden sıvı sızabilir; bu sıvıyı dokunmayın. Kazara dokunursanız temas eden kısmı bol suyla yıkayın. Sıvı, göze temas ederse ayrıca doktora başvurun.** Aküden sızan sıvı cildin tahriş olmasına veya yanıklara neden olabilir.
- **Hasarlı veya üzerinde değişiklik yapılmış akü grubunu veya makineyi kullanmayın.** Hasarlı veya üzerinde değişiklik yapılmış aküler; yangın, patlama ya da yaralanma riski ile sonuçlanabilecek beklenmedik durumlara yol açabilir.
- **Akü grubunu veya makineyi ateşe ya da aşırı sıcaklığa maruz bırakmayın.** Bunların ateşe veya 130°C / 265 °F üzeri sıcaklığa maruz kalması patlamaya neden olabilir.
- **Tüm şarj etme talimatlarına uyun ve akü grubunu ya da makineyi talimatlarda belirtilen sıcaklık aralığı dışında şarj etmeyin.** Belirtilen sıcaklık aralığının dışında veya hatalı olarak yapılan şarj işlemleri, aküye zarar verebilir ve yangın riskini artırabilir.
- **Makineyi kullanırken her zaman uzun pantolon giyin.** Açıkta kalan cilt, fırlatılan nesnelere kaynaklanan yaralanma olasılığını artırır.
- **Makineyi kullanırken çevredeki kişileri uzak tutun.** Fırlayan döküntüler ciddi kişisel yaralanmalara neden olabilir.
- **Makineyi çalıştırırken her zaman iki elinizi kullanın.** Makineyi her iki elinizle tutmak kontrol kaybını önler.
- **Makineyi yalnızca yalıtılmış kavrama yüzeylerinden tutun; kesme misinası veya bıçak gizli kablo bağlantılarına temas edebilir.** Kesme misinasının veya bıçakların, içinden "elektrik geçen" bir elektrik kablosuna temas etmesi makinenin metal parçalarına "elektrik yüklenmesine" ve operatöre elektrik çarpmasına neden olabilir.
- **Her zaman yere sağlam basın ve makineyi yalnızca yerde dururken çalıştırın.** Kaygan veya dengesiz yüzeyler dengeyi veya makinenin hakimiyetini kaybetmenize neden olabilir.
- **Makineyi aşırı dik eğimlerde kullanmayın.** Bu, yaralanmaya neden olabilecek kontrol kaybı, kayma ve düşme riskini azaltır.

Servis

- **Makinenizin yalnızca aynı yedek parçalar kullanan uzman bir tamirci tarafından onarılmasını sağlayın.** Bu, makinenin güvenliğinin sağlanması için gereklidir.
- **Hasarlı akü gruplarına asla servis işlemi uygulamayın.** Akü gruplarının servis işlemleri yalnızca üretici veya yetkili servis sağlayıcıları tarafından gerçekleştirilmelidir.

Çim budayıcı güvenlik uyarıları

- **Makineyi kötü hava koşullarında; özellikle de yıldırım düşmesi riski olduğunda kullanmayın.** Bu, bir yıldırım tarafından çarpılma riskini azaltır.
- **Makinenin kullanılacağı alandaki doğal hayatı dikkatlice inceleyin.** Çalışma sırasında doğal hayat, makine nedeniyle zarar görebilir.
- **Makinenin kullanılacağı alanı dikkatlice kontrol edin; tüm taşları, dal parçalarını, telleri, kemikleri ve diğer yabancı nesnelere kaldırın.** Fırlayan nesnelere yaralanmalara neden olabilir.
- **Makineyi kullanmadan önce daima kesicinin veya bıçağın ve kesici ya da bıçak tertibatının hasarlı olup olmadığını gözle kontrol edin.** Hasarlı parçalar yaralanma riskini artırır.
- **Aksesuarları değiştirme talimatlarına uyun.** Yanlış sıkılmış bıçak sabitleme somunları veya civataları bıçağa zarar verebilir ya da bıçağın ayrılmasına neden olabilir.
- **Göz, kulak, baş ve el koruması takın.** Uygun koruyucu ekipman, sıçrayan döküntülerden veya kesici ya da misina ile kazara temas etmekten kaynaklanabilecek yaralanma riskini azaltır.
- **Makineyi kullanırken her zaman kaymayan koruyucu ayakkabı giyin.** Makineyi çıplak ayakla veya açık sandalet giyerken çalıştırmayın. Bu, ayakların hareket eden kesicilere veya misinalara temas etmesiyle oluşabilecek yaralanma olasılığını azaltır.
- **Makineyi kullanırken her zaman uzun pantolon giyin.** Açıkta kalan cilt, fırlatılan nesnelere kaynaklanan yaralanma olasılığını artırır.
- **Makineyi kullanırken çevredeki kişileri uzak tutun.** Fırlayan döküntüler ciddi kişisel yaralanmalara neden olabilir.
- **Makineyi çalıştırırken her zaman iki elinizi kullanın.** Makineyi her iki elinizle tutmak kontrol kaybını önler.
- **Makineyi yalnızca yalıtılmış kavrama yüzeylerinden tutun; kesme misinası veya bıçak gizli kablo bağlantılarına temas edebilir.** Kesme misinasının veya bıçakların, içinden "elektrik geçen" bir elektrik kablosuna temas etmesi makinenin metal parçalarına "elektrik yüklenmesine" ve operatöre elektrik çarpmasına neden olabilir.
- **Her zaman yere sağlam basın ve makineyi yalnızca yerde dururken çalıştırın.** Kaygan veya dengesiz yüzeyler dengeyi veya makinenin hakimiyetini kaybetmenize neden olabilir.
- **Makineyi aşırı dik eğimlerde kullanmayın.** Bu, yaralanmaya neden olabilecek kontrol kaybı, kayma ve düşme riskini azaltır.
- **Eğimli yerlerde çalışırken her zaman yere sağlam basın, makineyi eğimli yüzeye paralel kullanın, asla yukarı veya aşağı doğru kullanmayın ve yön değiştiren çok dikkatli olun.** Bu, yaralanmaya neden olabilecek kontrol kaybı, kayma ve düşme riskini azaltır.
- **Makine çalışırken vücudunuzun tüm uzuvlarını kesiciden, misinadan ve bıçaktan uzak tutun. Makineyi çalıştırmadan önce kesicinin, misinanın veya bıçağın herhangi bir nesneye temas etmediğinden emin olun.** Makineyi çalıştırırken bir anlık dikkatsizlik, sizin veya başkalarının yaralanmasına neden olabilir.
- **Makineyi bel yüksekliğinin üzerinde çalıştırmayın.** Bu sayede, istenmeyen kesici veya bıçak teması önlenebilir ve beklenmedik durumlarda makine daha iyi kontrol edilebilir.
- **Gergin duran bir ağaç dalını veya fundalığı keserken, dalın veya fundalığın aniden fırlamasına karşı dikkatli olun.** Ağaç liflerindeki gerilim boşaldığı anda ağaç dalı veya fundalık, operatöre çarpabilir ve/veya makinenin kontrolden çıkmasına neden olabilir.
- **Fundalıkları veya fidanları keserken son derece dikkatli olun.** İnce parçalar bıçağa takılıp size doğru fırlayabilir ya da dengeyi kaybetmenize neden olabilir.
- **Makinenin kontrolünü sağlayın ve hareket halindeyken kesicilere, misinalara veya bıçaklara ve diğer tehlikeli hareketli parçalara dokunmayın.** Bu, hareketli parçalardan kaynaklanan yaralanma riskini azaltır.
- **Makineyi, kapalı şekilde ve vücudunuzdan uzak tutarak taşıyın.** Makinenin doğru şekilde kullanılması; hareketli kesici, misina veya bıçak ile kazara temas etme riskini azaltır.
- **Yalnızca üretici tarafından belirtilen yedek kesicileri, misinaları, kesme kafalarını ve bıçakları kullanın.**

Yanlış yedek parçalar kırılma ve yaralanma riskini artırabilir.

- **Sıkışmış malzemeyi temizlerken veya makineye bakım yaparken, güç anahtarının kapalı olduğundan ve akü grubunun çıkarıldığından emin olun.** Sıkışmış malzemeyi temizlerken veya bakım yaparken makinenin beklenmedik şekilde çalışması ciddi yaralanmalara neden olabilir.

doğurur. Bu nedenle, makine yakın gözetim altında olmadığında pil çıkarılmalıdır.

Genel güvenlik talimatları



UYARI: Ürünü kullanmadan önce aşağıdaki uyarı talimatlarını okuyun.

Çalıştırmadan önce kontrol edin

- Ürünün kazara çalışmasını önlemek için mutlaka aküyü çıkarın. Ürünün üzerinde yapılacak her türlü bakımdan önce mutlaka aküyü çıkarın.
- Ürünü kullanmadan önce ve herhangi bir darbe sonrasında, yıpranma veya hasar bakımından kontrol edin ve gereken şekilde onarın.
- Çalışma alanını inceleyin. Taş, kırık cam, çivi, çelik tel, ip vb. fırlayabilecek veya kesiciye ya da kesici siperliğine dolaşabilecek tüm sabit olmayan nesnelere kaldırın.
- Motorda kir veya çatlak olup olmadığını kontrol edin. Bir fırça kullanarak motordaki çim ve yaprakları temizleyin. Gerekliğinde eldiven takılmalıdır.
- Budama kafasının çim budayıcıya tam olarak bağlanmış olduğunu kontrol edin.
- Ürünün mükemmel çalışır durumda olup olmadığını kontrol edin. Tüm somunların ve vidaların sıkı olup olmadığını kontrol edin.
- Budama kafasının ve kesme ataşmanı siperliğinde hasar veya çatlak olup olmadığını kontrol edin. Darbe almış veya çatlamışsa budama kafasını veya kesme ataşmanı siperliğini değiştirin. Daima, kullandığınız kesme ataşmanı için önerilen siperliği kullanın. Teknik verilere ilişkin bölüme bakın.
- Ürünün operatörü, çalışma sırasında 15 metre yakınında insan veya hayvan bulunmadığından emin olmalıdır. Aynı çalışma alanında birkaç operatör çalıştığında güvenli mesafe en az 15 metre olmalıdır.
- Kullanmadan önce ürünü genel olarak kontrol edin. Bakım takvimini inceleyin.
- Kullanım ulusal veya yerel yönetmelikler tarafından düzenlenebilir. Belirlenmiş yönetmeliklere uyun.

Her zaman sağduyulu hareket edin

Karşılaşabileceğiniz tüm olası durumları incelemek mümkün değildir. Her zaman dikkat gösterin ve sağduyunuzu kullanın. Kontrol edemeyeceğiniz düşündüğünüz tüm durumlardan kaçının. Bu talimatları okuduktan sonra çalıştırma prosedürleri konusunda hala emin olmadığınız noktalar varsa devam etmeden önce bir uzmana danışmalısınız.



UYARI: Çocukların makineyi kullanmasına veya yakınında bulunmasına kesinlikle izin vermeyin. Makinenin çalıştırılması kolay olduğundan, tam gözetim altında tutulmadıklarında makineyi çalıştırabilirler. Bu da ciddi yaralanma riski

- Ürününün kazara çalışmasını önlemek için aküyü çıkarın.
- Bu ürün, dikkatli olmamanız ya da ürünü doğru kullanmamanız halinde tehlikeli bir alettir. Bu ürün, operatör ya da başkaları açısından ciddi yaralanmalara veya ölüme neden olabilir.
- Orijinal teknik özellikleri değiştirilmiş ürün kullanmayın. Üreticinin onayı olmadan ürünün bir parçasını değiştirmeyin. Yalnızca üretici tarafından onaylanmış parçaları kullanın. Hatalı bakım çalışmaları, yaralanma veya ölüme sonuçlanabilir.
- Kullanmadan önce ürünü kontrol edin. *Ürünün üzerindeki güvenlik araçları sayfa: 449 ve Ürüne genel bakış sayfa: 444* bölümlerine bakın. Hasarlı veya düzgün çalışmayan bir ürünü kullanmayın. Bu kılavuzda belirtilen güvenlik kontrolleri, bakım ve servis talimatlarını uygulayın.
- Ürünle oynamadıklarından emin olmak için çocuklar gözetim altında tutulmalıdır. Çocukların veya ürünün ve/veya akünün kullanımı konusunda eğitilmemiş diğer kişilerin ürünü kullanmasına veya üründe servis işlemleri yapmasına kesinlikle izin vermeyin. Operatör yaşı yerel yönetmelikler tarafından düzenlenebilir.
- Çocukların veya yetkili olmayan kişilerin erişmesini önlemek için ürünü kilitleti bir alanda tutun.
- Ürünü çocukların erişmeyeceği yerlerde saklayın.
- Üreticinin izni alınmadan ürün tasarımında hiçbir şekilde değişiklik yapılamaz. Her zaman orijinal aksesuarlar kullanın. Onaylanmamış değişiklikler ve/veya aksesuarlar operatör ve başkaları açısından ciddi yaralanmalara veya ölüme neden olabilir.
- Beyan edilen toplam titreşim değeri standart test yöntemine göre hesaplanmıştır ve aleti başka bir aletle karşılaştırmak için kullanılabilir.
- Beyan edilen toplam titreşim değeri, ön maruz kalma değerlemelerinde de kullanılabilir.
- Elektrikli aletin kullanımı sırasında meydana gelen titreşim emisyonu, aletin kullanıldığı şekle bağlı olarak belirtilen toplam değerden farklılık gösterebilir. Operatörler, fiili kullanım koşullarındaki maruziyet tahminini dikkate alarak kendilerini koruyacak güvenlik önlemlerini belirlemelidir (tetikleme süresinin yanı sıra aletin kapalı kaldığı ve rölandide çalıştığı süreler gibi çalışma döngüsünün tüm kısımlarını dikkate alarak).

Not: Kullanım, Ulusal veya Yerel yasalar tarafından düzenlenebilir. Belirlenmiş yönetmeliklere uyun.

Kişisel koruyucu ekipman



UYARI: Ürünü kullanmadan önce aşağıdaki uyarı talimatlarını okuyun.

- Ürünü kullanırken daima onaylı kişisel koruyucu ekipmanları kullanın. Kişisel koruyucu ekipmanlar yaralanma riskini tamamen engelleyemez ancak bir kaza durumunda yaralanmanın derecesini azaltır. Bayinizin doğru ekipmanı seçmenize yardımcı olmasını sağlayın.
- Onaylanmış kulak koruma ekipmanı kullanın.

(Şek. 19)

- Onaylı koruyucu gözlük kullanın. Vizör kullanıyorsanız onaylı koruma gözlüğü de kullanmanız gerekir. Onaylı koruma gözlüğü ABD'de ANSI Z87.1 veya AB ülkelerinde EN 166 standardıyla uyumlu olmalıdır.

(Şek. 20)

- Kesme donanımını takma, kontrol etme veya temizleme gibi eldiven gerektiren durumlarda eldiven kullanın.

(Şek. 21)

- Çelik burunlu ve kaymaz tabanlı koruyucu bot kullanın.

(Şek. 22)

- Sağlam kumaştan yapılmış kıyafetler kullanın. Daima kalın ve uzun pantolonlarla uzun kollu kıyafetler kullanın. Çalılara ve dallara takılabilecek bol kıyafetler kullanmayın. Takı takmayın, kısa pantolon veya sandalet kullanmayın. Çıplak ayakla kullanmayın. Saçınızı güvenli bir şekilde omuz hizasının üzerinde toplayın.
- İlk yardım ekipmanını yakında bulundurun.

(Şek. 23)

Ürünün üzerindeki güvenlik araçları



UYARI: Ürünü kullanmadan önce aşağıdaki uyarı talimatlarını okuyun.

Bu bölümde ürünün güvenlik özellikleri, amacı ve ürünün düzgün çalışması için bakım ve kontrollerin nasıl yürütülmesi gerektiği açıklanmaktadır. Ürününüzde bu parçaların nerede bulunduğunu görmek için *Giriş sayfa*da: 444 başlığı altındaki talimatları okuyun.

Ürün bakımı doğru olarak yapılmazsa ve servis ve/veya onarım işlemleri profesyonel olarak uygulanmazsa ürünün kullanım ömrü azalabilir ve kaza riski artabilir. Daha fazla bilgiye ihtiyacınız olursa lütfen en yakın servis bayisiyle iletişime geçin.



UYARI: Güvenlik bileşenleri hasarlı olan bir ürünü asla kullanmayın. Ürünün güvenlik donanımı bu bölümde açıkladığı

gibi kontrol edilmeli ve bakıma alınmalıdır. Ürününüz bu kontrollerden herhangi birini geçemezse onarım için servis nokتانızla iletişime geçin.



DİKKAT: Makine üzerindeki tüm servis ve onarım işlemleri özel eğitim gerektirir. Bu durum özellikle makinenin güvenlik ekipmanı için geçerlidir. Makineniz aşağıda açıklanan kontrollerden herhangi birinden geçemezse servis nokتانızla iletişime geçmelisiniz. Herhangi bir ürünü mü satın aldığınızda profesyonel onarım ve servis hizmetlerinin mevcut bulunduğunu garanti etmekteyiz. Makinenizi satan bayi bir servis bayisi değilse size en yakın servis nokتانının adresini sorun.

Tuş takımını kontrol etme

1. Çalıştırma/durdurma düğmesine (A) basın ve düğmeyi basılı tutun. (Şek. 24)
 - a) LED (B) yandığında ürün açılır.
 - b) LED (B) söndüğünde ürün kapanır.
2. Uyarı göstergesi (C) yanıyorsa veya yanıp sönyorsa *Tuş takımını sayfa*da: 455 bölümüne başvurun.

Güç tetiği kilidini kontrol etme

Güç tetiği kilidi, kazara çalışmayı önler. Güç tetiği kilidini (A) bastığınızda güç tetiği (B) serbest kalır. Tutma yerini bıraktığınızda güç tetiği ve güç tetiği kilidi geri hareket ederek ilk konumlarına geri döner. (Şek. 25)

1. Güç tetiği kilidi ilk konumundayken güç tetiğinin kilittli olduğundan emin olun. (Şek. 26)
2. Güç tetiğine basın ve tetiği serbest bıraktığınızda ilk konumuna geri döndüğünden emin olun. (Şek. 27)
3. Güç tetiğinin ve güç tetiği kilidinin serbestçe hareket ettiğinden ve dönüş yayının düzgün çalıştığından emin olun. (Şek. 28)
4. Ürünü çalıştırın. Bkz. *Ürünü çalıştırma sayfa*da: 453.
5. Tam güç uygulayın.
6. Güç tetiğini serbest bırakın ve kesme donanımının tamamen durduğundan emin olun.

Kesme donanımı siperliğini kontrol etme



UYARI: Kesme donanımını onaylı ve doğru takılmış bir kesme donanımı siperliği olmadan kullanmayın. Kullandığınız kesme donanımı için daima tavsiye edilen kesme donanımı siperliğini kullanın; bkz. *Teknik veriler sayfa*da: 457. Hatalı veya arızalı kesme donanımı siperliği takılması ciddi yaralanmaya neden olabilir.

Kesme donanımı siperliđi, operatöre doğru fırlayan nesnelere engeller. Kesme donanımı siperliđi, kesme donanımına dokunduđunuzda oluşabilecek yaralanmaları da önler.

1. Motoru durdurun.
2. Çatlama gibi herhangi bir hasar olup olmadığını gözünüzle kontrol edin.
3. Hasar görmesi durumunda kesme ataşmanı siperliđini deđiştirin.

Kesme ekipmanı

Dođru kesme ekipmanını seçerek ve kesme ekipmanına bakım yaparak:

- Maksimum kesme performansı elde edin.
- Kesme ekipmanının ömrünü uzatın.



UYARI: Kesme ataşmanlarını yalnızca önerdiğimiz siperliklerle kullanın! Bkz. *Onaylı aksesuarlar sayfa: 458*. Misinayı ve plastik bıçakları doğru şekilde yükleme yöntemini bulmak için kesme ataşmanı talimatlarına bakın.



UYARI: Hasarlı bir kesme ataşmanı kaza riskini artırabilir.



UYARI: Kesme ataşmanı üzerinde bir işlem yapmadan önce her zaman gücü kesin. Bu, güç tetiđi serbest bırakıldıktan sonra da dönmeye devam eder. Üzerinde çalışmaya başlamadan önce kesme ataşmanının tamamen durduđundan emin olun ve akünün ürünle bağlantısını kesin.

Kesme ataşmanı



UYARI: Zararlı titreşimi önlemek amacıyla misininin tamburun etrafına sıkıca ve düzgün şekilde sarıldıđından mutlaka emin olun.

(Şek. 29)

- Yalnızca önerilen kesme ataşmanlarını kullanın.
- Misininin uzunluđu önemlidir. Uzun bir misine, aynı çaptaki daha kısa bir misinadan daha fazla motor gücü gerektirir.
- Kesme ataşmanı siperliđinin üzerindeki kesicinin sağlam olduđundan emin olun. Bu misinayı doğru uzunlukta kesmeye yarar.
- Kullanım ömrünü uzatmak için misinayı kullanmadan önce birkaç gün boyunca suda bekletin.

Akü güvenliđi



UYARI: Ürünü kullanmadan önce aşağıdaki uyarı talimatlarını okuyun.

- Yalnızca BLi serisi ve 40-B serisi akü kullanın. Ayrıntılar için bkz. *Teknik veriler sayfa: 457*. Akü, yazılım şifresine sahiptir.
- İlgili Husqvarna ürünleri için güç kaynađı olarak yalnızca şarj edilebilir BLi serisi ve 40-B serisi aküleri kullanın. Yaralanmayı önlemek için aküyü başka cihazların güç kaynađı olarak kullanmayın.
- Elektrik çarpması riski. Akü terminallerini anahtarlara, madeni paralara, vidalara veya diđer metallere bağlamayın. Bu, aküde kısa devreye neden olabilir.
- Şarj edilebilir olmayan akü kullanmayın.
- Akünün hava deliklerine herhangi bir nesne koymayın.
- Aküyü güneş ışığından, ısı kaynaklarından veya açık alevden uzak tutun. Akü yanıklara ve/veya kimyasal yanıklara neden olabilir.
- Aküyü yağmurdan ve ıslak koşullardan uzak tutun.
- Aküyü mikrodalgalardan ve yüksek basınçtan uzak tutun.
- Aküyü parçalarına ayırmaya veya kırmaya çalışmayın.
- Aküde sızıntı varsa sıvının vücudunuza veya gözlerinize temas etmesine izin vermeyin. Sıvıya dokunduysanız etkilenen bölgeyi bol su ve sabunla yıkayın, tıbbi yardım alın. Sıvı gözünüze kaçarsa omayın ancak gözlerinizi suyla en az 15 dakika yıkayın ve tıbbi yardım alın.
- Aküyü -10°C (14°F) ile 40°C (114°F) arasındaki sıcaklıklarda kullanın.
- Aküyü veya akü şarj cihazını suyla temizlemeyin. Bkz. *Ürünü, aküyü ve akü şarj cihazını temizleme sayfa: 455*.
- Hatalı veya hasarlı aküleri kullanmayın.
- Aküleri çivi, vida veya mücevherat gibi metal nesnelere uzak bir yerde saklayın.
- Aküyü çocuklardan uzakta tutun.

Akü şarj cihazı güvenliđi



UYARI: Ürünü kullanmadan önce aşağıdaki uyarı talimatlarını okuyun.

- Güvenlik talimatlarına uyulmaması durumunda elektrik çarpması veya kısa devre riski vardır.
- Ürününüz için veritlenen başka akü şarj cihazı kullanmayın. BLi serisi ve 40-B serisi yedek aküleri şarj ederken yalnızca QC80 ve 40-C80 şarj cihazlarını kullanın.
- Akü şarj cihazını parçalarına ayırmaya çalışmayın.
- Hatalı veya hasarlı akü şarj cihazlarını kullanmayın.

- Akü şarj cihazını güç kablosundan tutup kaldırmayın. Akü şarj cihazını duvar prizinden çıkarmak için fişi çekin. Güç kablosunu çekmeyin.
- Tüm kabloları ve uzatma kablolarını sudan, yağdan ve keskin köşelerden uzakta tutun. Kablonun kapı, çit veya benzeri yerlere takılmadığından emin olun.
- Akü şarj cihazını, yanıcı malzemelerin veya korozyona neden olabilecek malzemelerin yakınında kullanmayın. Akü şarj cihazının üstünün kapalı olmadığından emin olun. Duman veya ateş çıkması durumunda akü şarj cihazının fişini çekip çıkarın.
- Aküyü yalnızca kapalı alanda, iyi hava akışı olan ve güneş ışığından uzak bir yerde şarj edin. Aküyü dış mekanda şarj etmeyin. Aküyü ıslak koşullarda şarj etmeyin.
- Akü şarj cihazını yalnızca 5°C (41°F) ile 40°C (104°F) arasındaki sıcaklıklarda kullanın. Şarj cihazını iyi hava akışı olan kuru ve tozsuz bir ortamda kullanın.
- Akü şarj cihazının soğutma deliklerine herhangi bir nesne koymayın.
- Akü şarj cihazında kısa devre oluşabileceği için şarj cihazının terminalerini metal nesnelere bağlamayın.
- Hasarlı olmayan onaylı duvar prizlerini kullanın. Akü şarj cihazı kablosunun hasarlı olmadığından emin olun. Uzatma kabloları kullanılıyorsa uzatma kablolarının hasarlı olmadığından emin olun.

- Şarj edilemeyen aküleri akü şarj cihazlarında şarj etmeyin.

Bakım için güvenlik talimatları



UYARI: Ürün üzerinde bakım yapmadan önce aşağıdaki uyarı talimatlarını okuyun.

- Bakım ve diğer kontrolleri gerçekleştirmeden veya ürünü monte etmeden önce aküyü çıkarın.
- Operatör, yalnızca kullanım kılavuzunda gösterilen bakım ve servis işlemlerini uygulamalıdır. Daha geniş çaplı bakım ve servis için servis bayinizle iletişime geçin.
- Aküyü veya akü şarj cihazını suyla temizlemeyin. Güçlü deterjanlar plastiğe zarar verebilir.
- Bakım yapmamanız ürünün kullanım ömrünü azaltır ve kaza riskini artırır.
- Ürünün güvenlik araçları başta olmak üzere tüm servis ve onarım işlemleri için özel eğitim gerekir. Bakım yaptıktan sonra bu kullanım kılavuzundaki tüm kontroller onaylanmazsa servis bayinizle iletişime geçin. Ürününüz için profesyonel onarım ve servis hizmetinin mevcut olduğunu garanti ederiz.
- Sadece orijinal yedek parça kullanın.

Montaj

Giriş



UYARI: Ürünü monte etmeden önce güvenlik bölümünü okuyup anlayın.

Not: Kesme ataşmanını takmadan önce tahrik diskinin doğru şekilde takıldığından emin olun.

Kesme ataşmanı siperliğini takma

1. Kesme ataşmanı siperliğini motor muhafazasına yerleştirin. (Şek. 30)
2. Kilitleme kancalarını kontrol edin. (Şek. 31)
3. Civatayı sıkın. Kombine anahtar kullanın. (Şek. 32)
4. Civatayı sıkın.

Kesme ataşmanını değiştirme

1. Kombine anahtarı deliğe geçirerek mili kilitleyin. (Şek. 33)
2. Kesme ataşmanını döndürün ve çıkışı mili engellenene kadar kombine anahtarı dikkatli bir şekilde itin.
3. Kesme ataşmanını çıkarmak için saat yönünde çevirin. Kesme ataşmanını takmadan önce tahrik diskinin yerinde olduğundan emin olun. (Şek. 34)
4. Yeni kesme ataşmanını ters sırada takın. (Şek. 35) (Şek. 36)

Bitki siperliğini monte etme

1. Bitki siperliğini motor muhafazasındaki deliklere takın. (Şek. 37)
2. Bitki siperliğinin serbestçe ileri ve geri hareket edebildiğinden emin olun. (Şek. 38)

Yarım daire şeklindeki tutamağı monte etme

1. Vidayı yarım daire şeklindeki tutma yerine takın. (Şek. 39)
2. Yarım daire şeklindeki tutma yerini mil üzerindeki ataşmana monte edin.
3. Vidaları sıkın.
4. Yarım daire şeklindeki tutma yerini doğru konuma getirin. Bkz. *Yarım daire şeklindeki tutma yerini ve teleskopik mili ayarlama sayfa: 453.*

Akü şarj cihazını 40-C80 duvara monte etme

Elektrikli tornavida, akü şarj cihazına zarar verebilir.



DİKKAT: Akü şarj cihazını duvara monte etmek için elektrikli tornavida kullanmayın.

1. Akü şarj cihazını, 2 vida (A) ile duvara monte edin. Gerekirse dübel (B) kullanın. (Şek. 40)
2. 2 vida deliği dübelini (C) takın.
3. Güç kablosunu (D) akü şarj cihazına ve duvar prizine bağlayın.

Çalışma

Giriş

şekilde takıldığından ve hasarsız olduğundan emin olun.



UYARI: Ürünü kullanmadan önce güvenlik bölümünü okuyup anlayın.

Pil



UYARI: Aküyü kullanmadan önce güvenlik bölümünü okuyup anlayın. Akü ve akü şarj cihazına ait kullanım kılavuzunu okuyup anlayın.

Ürünü çalıştırmadan önce

- Araziyi tanıdığınızdan emin olmak için çalışma alanını inceleyin. Zeminin eğimini inceleyin ve taş, dal veya çukur gibi engeller olup olmadığını kontrol edin.
- Ürünü genel olarak gözden geçirin.
- Bu kılavuzda verilen güvenlik muayenelerini, bakımı ve servisi yapın.
- Motorla kır veya çatlak olup olmadığını kontrol edin. Bir fırça kullanarak motordaki çim ve yaprakları temizleyin. Gerekirse eldiven kullanın.
- Misina kafada ve kesme donanımı siperliğinde hasar veya çatlak olup olmadığını bakın. Misina kafa ve kesme donanımı siperliği darbe almışsa veya çatlaksa bunları değiştirin.
- Tüm somun ve vidaların sıkı olduğundan emin olun.
- Ürünü çalıştırmadan önce kesme donanımındaki tüm kapakların, siperliklerin ve tutma yerlerinin doğru

Aküyü ve akü şarj cihazını doğru ortam sıcaklıklarında tutun.

	Ortam sıcaklığı
Ürünün çalıştırılması	-5°C-40°C / 23°F-104°F
Akünün şarj edilmesi	5°C-40°C / 41°F-104°F

Akü durumu

Ekranla, şarj durumu ve aküyle ilgili sorun olup olmadığı gösterilir.

(Şek. 41)

LED göstergesi	Akü durumu (şarj durumu)	
	BL110, BL120	40-B70, 40-B140
4 LED ışık yanıyor	Geçerli değil	Akü %76 - %100 doludur.
3 LED ışık yanıyor	Akü %76 - %100 doludur.	Akü %51 - %75 doludur.
2 LED ışık yanıyor	Akü %51 - %75 doludur.	Akü %26 - %50 doludur.
1 LED ışık yanıyor	Akü %26 - %50 doludur.	Akü %6 - %25 doludur.
1 LED ışık yanıp sönüyor	Akü %0 - %25 doludur.	Akü %0 - %5 doludur.

Aküyü şarj etme

Aküyü ilk defa kullanacaksanız şarj edin. Yeni bir akünün şarjı %30 seviyesindedir.



DİKKAT: Akü şarj cihazını nominal değerler plakasında belirtilen voltaj ve frekansa sahip bir güç çıkışına bağlayın.

Akü sıcaklığı 50°C'nin/122°F üzerindeyse akü şarj olmaz.

1. Güç kablosunu akü şarj cihazına bağlayın.
2. Akü şarj cihazını topraklı bir prize takın. Şarj LED'i bir kez yanıp söner. (Şek. 42)
3. Aküyü akü şarj cihazına bağlayın. Şarj LED'i yanar. Aküyü en fazla 24 saat boyunca şarj edin. (Şek. 43)

4. Akü göstergesi düğmesine basın; tüm LED göstergeler yanarsa akü tamamen şarj olmuştur.
5. Akü şarj cihazının prizle bağlantısını kesmek için elektrik fişini çekin. Güç kablosunu çekmeyin.
6. Aküyü, akü şarj cihazından çıkarın.

Aküyü ürüne bağlama



UYARI: Ürün için yalnızca orijinal Husqvarna aküsünü kullanın.

1. Aküyü tam şarj edin.
2. Aküyü, ürünün akü tutucusuna yerleştirin. Akü yerine kilitlendiğinde bir tıklama duyarsınız. (Şek. 44)



DİKKAT: Akü, akü yuvasına rahatça geçmiyorsa akü doğru şekilde takılmamış demektir. Bu, üründe hasara neden olabilir.

Ürünü çalıştırma

1. Yeşil LED yanana kadar çalıştırma/durdurma düğmesini basılı tutun. (Şek. 45)
2. Güç tetiği kilidine ve güç tetiğine basın. Kesme donanımı dönmeye başlar.

Yarım daire şeklindeki tutma yerini ve teleskopik mili ayarlama

1. Kilitleme kolunu gevşetin ve yarım daire şeklindeki tutma yerini doğru konuma getirin. (Şek. 46)
2. Kilitleme kolunu kapatın.
3. Mildeki kolu gevşetin. (Şek. 47)
4. Mil üzerinde gerekli uzunluğu ayarlayın. Mil üzerindeki üçgeni görebildiğinizden emin olun. (Şek. 48)
5. Kolu kapatın ve vidayı sıkın.

Not: Yarım daire şeklindeki tutma yerini mil üzerinde Uyarı etiketleri üzerine gelecek şekilde takmayın.

SavE işlevinin kullanılması

Bu üründe, SavE adı verilen bir güç tasarruf işlevi bulunur.

Not: SavE işlevi, ürünün kesim gücünü azaltmaz.

1. Tuş takımı üzerindeki SavE düğmesine basın.
2. Yeşil LED'in yandığından emin olun.
3. İşlevi kapatmak için SavE düğmesine tekrar basın. Yeşil LED söner. (Şek. 49)

Otomatik kapatma işlevi

Üründe, ürün kullanılmadığında ürünü durduran bir kapatma işlevi vardır. Başlatma/durdurma gösterimi için yeşil LED söner ve ürün 180 saniye sonra durur.

Ürünü çalıştırma

Çim kesme

1. Çimi keserken plastik bıçakların veya misininin zemine paralel olduğundan emin olun. (Şek. 50)
2. Tri-Cut veya budama kafasını zemine bastırmayın. Bu, üründe hasara neden olabilir.

Not: 0°C'ye yakın düşük ortam sıcaklığı bıçağın veya misininin kırılmasına neden olabilir.

3. Çimi keserken ürünü yanlamasına hareket ettirin. (Şek. 51)

Not: Ürünü hasarlı bir kesme ataşmanıla kullanmayın. Hasarlı bir kesme ataşmanı, ürüne zarar verebilecek dengesizliğe neden olabilir.

Çim süpürme

Dönen plastik bıçaklardan veya misinadan gelen hava akışı kesilen çimi bölgeden uzaklaştırmak için kullanılabilir.

1. Budama kafasını, plastik bıçakları veya misinayı yere paralel ve yerden yukarıda tutun.
2. Tam hız uygulayın.
3. Kesme ataşmanının yanlamasına hareket ettirerek çimi süpürün.



UYARI: Her yeni plastik bıçak veya misina taktığınızda, dengenin bozulmasını ve tutma yerlerindeki titreşimi önlemek için kesme ataşmanı kapağını temizleyin. Ayrıca kesme ataşmanının diğer parçalarını da kontrol edip gerekirse temizleyin.

Nesnelere yakın budama

1. Bitki siperliğini aşağı çekin. (Şek. 52)
2. Diğer nesnelere zarar vermemek için bitki siperliğini kullanın. (Şek. 53)

Ürünü durdurma

1. Güç tetiğini ve güç tetiği kilidini serbest bırakın.
2. Yeşil LED sönene kadar çalıştırma/durdurma düğmesine basın.
3. Aküdeki serbest bırakma düğmelerine basın ve aküyü üründen çıkarın. (Şek. 54)

Plastik bıçakları veya misinayı deęiřtirme

Bu kullanım kılavuzunun son sayfalarına bakın.

Bakım

Giriř



UYARI: Ürün üzerinde bakım yapmadan önce güvenlik bölümünü okuyup anlayın.

Ürün üzerinde yapmanız gereken bakım adımları ařaęıda listelenmiřtir. Daha fazla bilgi için bkz. *Ürüne genel bakıř sayfada: 444.*

Bakım takvimi



UYARI: Bakım yapmadan önce aküyü çıkarın.

Bakım	Günlük	Haftalık	Aylık
Ürünün dıř parçalarını kuru bir bezle temizleyin. Su kullanmayın.	X		
Çalıřtırma ve durdurma düęmesinin doęru řekilde çalıřtıęından ve hasarlı olmadıęından emin olun.	X		
Güç tetięinin ve güç tetięi kilidinin güvenlik açısından doęru çalıřtıęından emin olun.	X		
Tutma yerlerinin kuru ve temiz olduęundan emin olun.	X		
Kesme atařmanı siperlięinin zarar görmemiř olduęundan emin olun. Hasar görmesi durumunda kesim atařmanı siperlięini deęiřtirin.	X		
Tutma yerinin veya tutma çubuęunun hasarlı olmadıęından ve düzgün takıldıęından emin olun.	X		
Teleskopik mil kilitleme mekanizmasını kontrol edin. Bkz. <i>Teleskopik milin kilitleme mekanizmasını kontrol etme sayfada: 455.</i>	X		
Akü řarj cihazını kontrol edip düzgün çalıřtıęından ve hasarlı olmadıęından emin olun.	X		
Akünün zarar görmemiř olduęundan emin olun.	X		
Akünün řarj edilmiř olduęundan emin olun.	X		
Akü řarj cihazının zarar görmedięinden emin olun.	X		
Dıř vida ve somunların sıkı olduęundan emin olun.		X	
Aküdeki serbest bırakma düęmelerinin çalıřtıęından ve aküyü ürüne sabitledięinden emin olun.		X	
Budama kafası makarasında gres olup olmadıęını kontrol edin.		X	
Temizleyin ve akü ile ürün arasındaki baęlantıları kontrol edin.			X
Temizleyin ve akü ile akü řarj cihazı arasındaki baęlantıyı kontrol edin.			X

Aküyü ve akü řarj cihazını kontrol etme

1. Aküyü çatlak gibi hasarlara karřı kontrol edin.

2. Akü řarj cihazını çatlak gibi hasarlara karřı kontrol edin.

3. Akü şarj cihazının bağlantı kablosunun hasarlı olmadığını ve üzerinde çatlaklar bulunmadığını kontrol edin.

Ürünü, aküyü ve akü şarj cihazını temizleme

1. Kullandıktan sonra ürünü kuru bir bezle temizleyin.
2. Aküyü ve akü şarj cihazını kuru bir bezle temizleyin. PİL kılavuz raylarını temiz tutun.
3. Aküyü, akü şarj cihazına veya ürüne yerleştirmeden önce akü ve akü şarj cihazının terminallerinin temiz olduğundan emin olun.

Tri-Cut'ı kontrol etme ve değiştirme

1. Tri-Cut'ta hasar ve çatlak olup olmadığını kontrol edin.

2. Tri-Cut'ı çıkarın. *Bkz. Kullanım kılavuzunun son sayfasında yer alan "Tri-Cut'ı çıkarma".*
3. Tri-Cut'ı monte edin. *Bkz. Kesme ataşmanını değiştirme sayfa: 451.*

Teleskopik milin kilitleme mekanizmasını kontrol etme

1. Teleskopik milin kilitleme mekanizmasını kontrol edin.
2. Tork kuvvetini ayarlayın. (Şek. 55)

Sorun giderme

Tuş takımı

LED ekran	Olası arızalar	Olası çözümler
Hata LED'i yanıp sönüyor.	Aşırı yük	Kesme donanımı serbestçe hareket edemiyor. Kesme donanımını serbest bırakın.
	Sıcaklık değişimi	Ürünün soğumasını bekleyin.
Ürün çalışmıyor.	Güç tetiğine basın ve aynı anda çalıştırma düğmesine basın.	Güç tetiğini serbest bırakın ve ürünü durdurun.
Hata LED'i kırmızı ışıkla yanar.	Üründe servis işlemi gerçekleştirilmesi gerekir	Servis bayinize danışın.

Akü

LED ekran	Olası arızalar	Olası işlem
Yeşil LED yanıp sönüyor.	Düşük akü voltajı.	Akü şarj edin.
Hata LED'i yanıp sönüyor.	Sıcaklık değişimi.	Akü -10°C (14°F) ile 40°C (104°F) arasındaki sıcaklıklarda kullanın.
	Voltaj çok yüksek.	Şebeke voltajının, ürünün nominal değerler plakasında belirtilen voltaja uyumlu olduğundan emin olun. Akü şarj cihazından çıkarın.
Hata LED'i yanıyor.	Hücre farkı çok fazladır (1 V).	Servis bayinize danışın.

Akü şarj cihazı

Sorun	Olası arızalar	Olası çözüm
Şarj LED'i kırmızı renkte yanıyor.	Akü şarj cihazında kalıcı hata.	Bayinize başvurun.
Şarj LED'i yeşil renkte yanıp sönüyor.	Sıcaklık sapması. Akü kullanmak veya şarj etmek için fazla soğuk ya da fazla sıcaktır.	Akünün soğumasını bekleyin veya ısınmasını sağlayın. Akü doğru sıcaklığa geldiğinde tekrar kullanılabilir veya şarj edilebilir. Akü şarj cihazını 5°C (41°F) ile 40°C (104°F) arasındaki ortam sıcaklıklarında kullanın.
Şarj LED'i kırmızı renkte yanıp sönüyor.	Arızalı akü.	Bayinize başvurun.

Taşıma, depolama ve atma

Taşıma ve depolama

- Ürün ile birlikte verilen Lityum İyon aküler, Tehlikeli Maddeler Yönetmeliklerinin gereksinimlerini karşılamaktadır.
- Üçüncü taraflar ve aracı nakliye şirketleri de dahil olmak üzere, ticari amaçlı taşıma işlemlerinde ambalaj ve etiketler üzerindeki özel gereksinimlere uyun.
- Ürünü göndermeden önce tehlikeli maddeler konusunda özel eğitim almış bir kişiyle görüşün. Yürürlükteki tüm ulusal yönetmeliklere uyun.
- Aküyü bir ambalaja yerleştireceğiniz zaman açık kontakları bantlayın. Aküyü ambalaj içine hareket etmesini engelleyecek şekilde sıkıca yerleştirin.
- Depolama veya taşıma için aküyü çıkarın.
- Aküyü ve akü şarj cihazını nem ve don olmayan kuru bir yerde saklayın.
- Aküyü statik elektriğin oluşabileceği yerlerde saklamayın. Aküyü metal bir kutuda tutmayın.
- Aküyü, sıcaklığı 5°C/41°F ile 25°C/77°F arasında olan ve doğrudan güneş ışığı almayan bir yerde tutun.
- Akü şarj cihazını, sıcaklığın 5°C / 41°F ile 45°C / 113°F arasında olduğu ve doğrudan güneş ışığı almayan bir yerde depolayın.
- Akü şarj cihazını yalnızca ortam sıcaklığı 5°C/41°F ile 40°C/104°F arasındayken kullanın.

- Uzun süreli depolamadan önce aküyü %30-%50 arasındaki bir seviyeye kadar şarj edin.
- Akü şarj cihazını, kapalı ve kuru bir alanda saklayın.
- Depolama sırasında aküyü akü şarj cihazından uzakta tutun. Çocukların ve diğer izinsiz kişilerin ekipmana dokunmasına izin vermeyin. Ekipmanı kilitleyebileceğiniz bir yerde tutun.
- Uzun süreli depolamadan önce ürünü temizleyin ve ürüne eksiksiz bir bakım yapın.
- Taşıma ve depolama sırasında yaralanmaları veya ürünün hasar görmesini önlemek için taşıma siperliğini kullanın.
- Taşıma sırasında ürünü güvenli bir şekilde sabitleyin.

Akü, akü şarj cihazı ve ürünü atma

Ürün veya ürün ambalajı üzerinde bulunan semboller, bu ürünün evsel atık olmadığını belirtir. Ürünü, elektrikli ve elektronik ekipmanlar için bir geri dönüşüm istasyonunda geri dönüştürün. Bu, çevrenin ve insanların zarar görmemesine yardımcı olur.

Ürününüzü geri dönüştürme hakkında daha fazla bilgi için yerel yetkililer, evsel atık hizmeti veya bayiniz ile görüşün.

Teknik veriler

Teknik veriler

		215iL-TC
Motor		
Motor tipi		BLDC
Çıkış milinin devri, dev/dak		6800
Kesim genişliği, mm		255
Ağırlık		
Aküsüz ağırlık, kg		2,9
Gürültü emisyonu ⁷⁹		
Ses gücü düzeyi, ölçülmüş dB (A)		90,8
Ses gücü düzeyi, garantili L _{WA} dB (A)		93
Gürültü düzeyleri ⁸⁰		
IEC 62841-4-4 uyarınca ölçülen, operatörün kulağındaki eş değer ses basıncı düzeyi, dB (A)		81,3
Titreşim düzeyleri ⁸¹		
IEC 62841-4-4 uyarınca ölçülen, tutma yerlerindeki titreşim düzeyleri, m/sn ²		3,0/2,7
Misina kafayla (orijinal) donatılmış, ön/arka.		

Ürün için onaylı aküler

Akü	BLi10	BLi20	40-B70	40-B140
Tip	Lityum iyon		Lityum iyon	Lityum iyon
Akü kapasitesi, Ah	Akü nominal değerler çıkartmasına başvurun		Akü nominal değerler çıkartmasına başvurun	Akü nominal değerler çıkartmasına başvurun
Nominal voltaj, V	36	36,5	36	36
Ağırlık, lb/kg	0,7	0,7	1,2	1,2

⁷⁹ 2000/14/AT sayılı AT direktifi uyarınca ses gücü (L_{WA}) olarak çevrede ölçülen gürültü emisyonu düzeyi. Garantili ve ölçülmüş ses gücü arasındaki fark, garantili ses gücünün 2000/14/AT sayılı Direktif doğrultusunda ölçüm sonucundaki dağılımı ve aynı modelin farklı ürünleri arasındaki değişimleri de içermesidir.

⁸⁰ Ürünün eş değer ses basıncı düzeyi için bildirilen verilerdeki tipik istatistik dağılım (standart sapma) 3 dB (A) değerindedir.

⁸¹ Titreşim düzeyi için bildirilen verilerdeki tipik istatistik dağılım (standart sapma) 1,5 m/sn² şeklindedir.

Ürün için onaylı akü şarj cihazları

Akü Şarj Cihazı	QC80	40-C80
Şebeke voltajı, V	100-240	100-240
Frekans, Hz	50-60	50-60
Güç, W	100	72
Çıkış Voltajı, V d.c./ Amper, A	36/2	43/1,6

Aksesuarlar

Onaylı aksesuarlar

Onaylı aksesuarlar	Tip	Kesme ataşmanı siperliği, Ürün no.
Budama kafası	R25B (Ø 2 mm misina)	529 96 69-01
Budama kafası	Tri-Cut B (255 mm)	529 96 69-01

Uyumluluk Bildirimi

AB Uyumluluk Bildirimi

Biz, **Husqvarna AB**, SE-561 82 Huskvarna, İsveç, tel: +46-36-146500 olarak tek sorumlu vasfıyla ürüne ilişkin aşağıdaki beyanlarda bulunmaktayız:

Açıklama	Akülü çim budayıcı
Marka	Husqvarna
Tip/Model	215iL-TC
Kimlik	2025 ve sonrası tarihli seri numaraları

aşağıdaki AB direktifleri ve yönetmelikleriyle tamamen uyumludur:

Direktif/Düzenleme	Açıklama
2006/42/AT	"makinelere ilgili"
2014/30/AB	"elektromanyetik uyumlulukla ilgili"
2000/14/AT	"çevredeki gürültü emisyonlarıyla ilgili"
2011/65/AB	"elektrikli ve elektronik ekipmanlarda belirli tehlikeli maddelerin kullanımının kısıtlanmasına ilişkin"

ve aşağıdaki standartlar ve/veya teknik özellikler uygulanmıştır: EN 62841-1:2015+A11:2022, IEC 62841-4-4:2020, EN ISO 12100:2010, EN IEC 63000:2018, EN IEC 55014-1:2021; EN IEC 55014-2:2021.

Onaylanmış kuruluş: 0036 TÜV SÜD Industrie Service GmbH, Westendstraße199,80686 München,Germany
2000/14/AT konyey direktifi, uyumluluk değerlendirme prosedürü: Ek VI ile uyumluluęu belgelemiştir.

Gürültü emisyonuyla ilgili bilgi için bkz. *Teknik veriler sayfa: 457*.

Huskvarna, 2025-01-10



Claes Losdal, AR-GE Müdürü, Husqvarna AB

Teknik dokümantasyon sorumlusu



Зміст

Вступ.....	460	Транспортування, зберігання й утилізація.....	474
Безпека.....	461	Технічні характеристики.....	475
Збирання.....	469	Додаткове приладдя.....	476
Експлуатація.....	469	Декларація відповідності.....	477
ТЕХНІЧНЕ ОБСЛУГОВУВАННЯ.....	472	Додаток	478
Усунення несправностей.....	473		

Вступ

Опис виробу

Husqvarna 215iL-TC – акумуляторний тример для трави з електричним двигуном.

Ми постійно працюємо над підвищенням вашої безпеки й ефективності роботи. По додаткову інформацію звертайтеся до свого сервісного дилера.

Призначення

Виріб використовується з неметалевими пластиковими лезами. Не використовуйте виріб для

інших завдань, крім косіння бур'янів, трави чи схожої м'якої рослинності.

Зверніть увагу: Норми внутрішнього законодавства можуть накладати обмеження на використання цього виробу.

Використовуйте виріб лише із сертифікованими виробником аксесуарами. Див. *Додаткове приладдя на сторінці 476.*

Огляд виробу

(Мал. 1)

1. Головка тримера Tri-Cut
2. Захисний кожух різальної насадки
3. Вал
4. Регулювання вала (телескопічний механізм)
5. Петельний тримач
6. Кнопка панель
7. Попереджувальний індикатор кнопкової панелі
8. Кнопка Start/stop
9. Кнопка SavE
10. Механічний пусковий пристрій
11. Фіксатор механічного пускового пристрою
12. Індикатор живлення / попереджувальний індикатор
13. З'єднувач
14. Зарядний пристрій 40-C80
15. Захисний кожух
16. Попереджувальний індикатор акумулятора
17. Стан акумулятора
18. Кнопка індикатора стану акумулятора
19. Кнопки для виймання акумуляторної батареї
20. Акумулятор
21. Комбінований інструмент
22. Приводний диск
23. Посібник користувача

Символи на виробі

- (Мал. 2) **УВАГА!** Цей виріб може бути небезпечним і здатний спричинити тяжкі травми або смерть оператора чи сторонніх осіб. Будьте обережні й використовуйте виріб належним чином.
- (Мал. 3) Перед користуванням виробом уважно прочитайте посібник користувача й переконайтеся, що ви зрозуміли всі вказівки.
- (Мал. 4) Використовуйте засоби захисту очей і вух.
- (Мал. 5) Захищайте від дощу.
- (Мал. 6) Етикетка щодо шумових викидів у навколишнє середовище відповідно до вимог директив і нормативних актів ЄС (зокрема законодавства Нового Південного Уельсу) і Сполученого Королівства. Дані про випромінювання шуму вказано на паспортній табличці пристрою, а також у розділі технічних характеристик. Застосовується лише тоді, коли виріб обладнано тримерним кордом.

- (Мал. 7) Остерігайтесь об'єктів, що можуть відлетіти. відходів електричного й електронного обладнання.
- (Мал. 8) Перш ніж проводити технічне обслуговування, від'єднайте акумулятор. (Мал. 10) Виріб відповідає належним вимогам директив ЕУ.
- (Мал. 9) Цей виріб і його пакування не можна утилізувати разом із побутовими відходами. Утилізацію необхідно проводити на підприємстві з переробки (Мал. 11) Виріб відповідає вимогам застосованих норм Сполученого Королівства.
- (Мал. 12) Постійний струм.
- (Мал. 16) Відстань між пристроєм і перехожими має бути не менше 15 м (50 футів).
- (Мал. 17) Не використовуйте металеві леза. На таблиці з паспортними даними чи на етикетці вказано серійний номер. **уууу** вказує на рік виготовлення, а **ww** – на тиждень виготовлення.
- ууууwwxxxx**

Позначення на акумуляторі та/або на зарядному пристрої

- (Мал. 18) Утилізацію виробу необхідно проводити на підприємстві з переробки відходів електричного й електронного обладнання. (Лише для країн Європи)
- (Мал. 13) Захисний ізолюючий трансформатор.
- (Мал. 14) Зарядний пристрій слід використовувати й зберігати лише в приміщенні.

- (Мал. 15) Подвійна ізоляція.

Пошкодження виробу

Ми не несемо відповідальності за пошкодження, якщо:

- виріб було неправильно відремонтовано;
- виріб було відремонтовано із використанням деталей, виготовлених не виробником або не затверджених ним;
- виріб обладнано аксесуаром, виготовленим не виробником або не затвердженим ним;
- виріб було відремонтовано в неавторизованому сервісному центрі або неавторизованою компанією;

Безпека

Визначення щодо безпеки

Попередження, застереження й примітки служать для наголоса на особливо важливих положеннях посібника.



ПОПЕРЕДЖЕННЯ: Вказує на те, що в разі порушення інструкцій, наведених у цьому посібнику, існує небезпека поранення або смерті оператора чи інших осіб, що знаходяться поруч.



УВАГА: Вказує на те, що в разі порушення інструкцій, наведених у цьому посібнику, існує небезпека пошкодження виробу, інших матеріалів або навколишніх об'єктів.

Зверніть увагу: Використовується для надання додаткової інформації щодо певної ситуації.

Загальні вказівки з техніки безпеки під час роботи з електроінструментами



ПОПЕРЕДЖЕННЯ: Прочитайте всі вказівки з техніки безпеки та інші інструкції, надані разом із цим виробом. Недотримання наведених далі інструкцій може призвести до ураження електричним струмом, пожежі та/або тяжких травм.

Збережіть усі попереджувальні знаки та інструкції для їх використання в майбутньому.

Зверніть увагу: Термін «електроінструмент», що використовують у вказівках з техніки безпеки, стосується електроінструмента, який працює від електромережі (з кабелем живлення), або електроінструмента, який працює на акумуляторі (без кабелю живлення).

Безпека в робочій зоні

- **Забезпечуйте порядок та добре освітлення в робочій зоні.** Безлад і погане освітлення можуть призвести до нещасних випадків.
- **Не використовуйте електроінструмент у вибухонебезпечних місцях, де є горючі рідини, гази або пил.** Електроінструменти створюють іскри, які можуть підпалити пил або пари.
- **Під час використання електроінструмента тримайте на відстані дітей та інших осіб.** Ви можете відволіктися та втратити контроль.

Безпека під час використання електроінструментів

- **Штепсельні вилки електроінструмента повинні підходити до розетки.** У жодному разі не змінюйте вилку будь-яким чином. Не використовуйте вилки-перехідники разом із заземленими електроінструментами. Незмінні вилки та відповідні розетки зменшують ризик враження електричним струмом.
- **Уникайте тілесного контакту із заземленими поверхнями, такими як труби, радіатори, кухонні плити та холодильники.** Існує підвищений ризик враження електричними струмом, якщо ваше тіло заземлене.
- **Не допускайте потрапляння дощової води або вологи на електроінструменти.** Потрапляння води у виріб збільшує загрозу ураження електричним струмом.
- **Використовуйте кабель лише за призначенням.** За жодних умов не використовуйте кабель для перенесення чи перетягування електроінструмента й не тягніть за нього, щоб вийняти вилку з розетки. Тримайте кабель подалі від джерела тепла, мастила, гострих країв або рухомих деталей. Пошкоджені чи заплутані кабель збільшує ризик враження електричним струмом.
- **Якщо Ви працюєте з електроінструментом під відкритим небом, використовуйте тільки кабелі-подовжувачі, які призначені для робіт під відкритим небом.** Використання кабелю, придатного для застосування надворі, зменшує ризик ураження електричним струмом.
- **Якщо не можна уникнути експлуатації електроінструмента в умовах вологості, використовуйте автоматичний запобіжний вимикач, що спрацює при появі струму витоку.** Використання ПЗВ знижує ризик ураження електричним струмом.

Особиста безпека

- **Будьте уважні під час використання електроінструмента й керуйтеся здоровим глуздом.** Не використовуйте електроінструмент, коли ви стомлені або перебуваєте під впливом наркотиків, алкоголю або лікарських засобів. Одна мить неуважності під час використання електроінструмента може призвести до серйозних травм.
- **Використовуйте засоби індивідуального захисту.** обов'язково необхідно користуватися засобами захисту для очей. Захисне спорядження, наприклад респіратор, черевки з нековзною підошвою, каска або захисні навушники за використання у відповідних умовах зменшують ризик травмування.
- **Запобігайте випадковому запуску.** Переконайтеся, що вимикач перебуває у вимкненому положенні, перш ніж підключати електроінструмент до джерела живлення й/або акумуляторного блока, підняти або переносити його. Якщо під час перенесення електроінструмента ви тримаєте палець на перемикачі або підключаєте пристрій до електроживлення, коли перемикач перебуває в положенні «увімкнено», це може призвести до нещасного випадку.
- **Перед вмиканням електроінструменту вийміть регульовальні інструменти або гайковий ключ.** Інструмент або ключ, які знаходяться в частині електроінструмента, що обертається, можуть призвести до травм.
- **Не тягніться.** Завжди дотримуйтеся належних дистанцій і балансування. Завдяки цьому ви зможете краще контролювати електроінструмент у несподіваних ситуаціях.
- **Одягайтеся правильно.** Не вдягайте просторий широкий одяг, не надягайте на себе ювелірні вироби. Тримайте волосся й одяг подалі від рухомих частин. Просторий широкий одяг, ювелірні вироби або довге волосся можуть потрапити в рухоми деталі.
- **У разі наявності обладнання з видалення й збору пилу переконайтеся в тому, що воно під'єднано та використовується правильно.** Використання обладнання для збору пилу зменшує ризики, поєднані з пилом.
- **Досвід роботи, набутий упродовж регулярного використання цього виробу, не є підставою для недбалого експлуатації виробу й нехтування технікою безпеки.** Необережні дії можуть миттєво призвести до тяжких травм.

Застосування електроінструмента та поводження з ним

- **Не перевантажуйте електроінструмент.** Використовуйте для своєї роботи тільки електроінструмент, який призначений для цього. З відповідним електроінструментом

- Ви працюватимете краще й безпечніше в зазначеному діапазоні потужності.
- **Не використовуйте електроінструмент, вимикач якого зіпсований.** Інструмент, який не можна ввімкнути або вимкнути перемикачем, є небезпечним і підлягає ремонту.
 - **Коли ви збираєтесь виконувати будь-які налаштування, замінювати приладдя або залишати електроінструмент на зберігання, спочатку витягніть штекер із розетки живлення чи змінний акумуляторний блок із електроінструмента.** Такі запобіжні заходи з техніки безпеки допоможуть запобігти випадковому запуску електроінструмента.
 - **Зберігайте електроінструменти, якими Ви не користуетесь, поза досяжністю дітей. Не дозволяйте особам, які не обізнані з експлуатацією пристроїв або наданими інструкціями, користуватися ними.** Електроінструменти є небезпечними, якщо їх використовують недосвідчені особи.
 - **Виконуйте технічне обслуговування електроінструментів і приладдя. Перевіряйте електроінструмент на предмет зміщення чи вигину рухомих деталей, поломок деталей та будь-якого іншого стану, що може негативно позначитися на його роботі. Перед використанням виробу відремонтуйте пошкоджені деталі.** Багато аварій трапляється через погане обслуговування електроінструментів.
 - **Підтримуйте різальні елементи нагостреними й чистими.** Належно доглянуті різальні елементи з гострими різальними кантами менше застрягають та ними легше керувати.
 - **Використовуйте електроінструмент, комплектуючі, робочий інструмент тощо відповідно до цих вказівок, беручи до уваги умови праці й вид робіт.** Експлуатація електроінструментів у цлях, не зазначених в інструкції, може призвести до виникнення небезпечних ситуацій.
 - **Рукоятки та поверхні для тримання мають бути сухими, чистими й знежиреними.** Слизькі ручки та поверхні захвату зменшують надійність керування й контролю електроінструмента в непередбачуваних ситуаціях.

Використання акумуляторного обладнання та догляд за ним

- **Заряджати акумулятор треба виключно за допомогою зарядного пристрою, зазначеного виробником.** Використання зарядного пристрою, призначеного для роботи з акумуляторами одного типу, з акумуляторами іншого типу може призвести до пожежі.
- **В електроінструментах застосовуйте тільки передбачені для них акумулятори.** Використання акумуляторних батарей інших типів може призвести до травмування чи пожежі.

- **Якщо акумуляторний блок не використовується, слід тримати його подалі від металевих предметів, таких як скріпки, монети, ключі, цвяхи, гвинти й інші дрібні металеві предмети, які можуть з'єднати один контакт батареї з іншим.** Замикання контактів акумулятора може призвести до опіків або пожежі.
- **У разі неправильного застосування з акумулятора може випліскуватися рідина; уникайте контакту з нею.** При випадковому контакті промийте місце контакту водою. В разі потраплення рідини в очі на додаток до їхнього інтенсивного промивання зверніться по медичну допомогу. Рідина з акумуляторної батареї може викликати подразнення та опіки.
- **Не використовуйте акумуляторну батарею або електроінструмент, якщо вони пошкоджені або в їхню конструкцію внесено зміни.** Пошкоджені або модифіковані акумулятори працюють нестабільно: вони можуть зайнятися, вибухнути або іншим чином травмувати оператора.
- **Тримайте акумуляторну батарею та електроінструмент подалі від джерел відкритого полум'я та високих температур.** Під впливом вогню або температури понад 130 °C (265 °F) може статися вибух.
- **Дотримуйтесь інструкцій із заряджання і за жодних обставин не заряджайте акумуляторну батарею або електроінструмент за межами температурного діапазону, наведеного в інструкції з експлуатації.** Неналежне заряджання за температури поза межами зазначеного діапазону може пошкодити акумулятор і підвищує ризик займання.

Обслуговування

- **Свій електроінструмент ремонтуйте тільки в кваліфікованих спеціалістів і лише з використанням оригінальних деталей.** Це забезпечить гарантію збереження безпеки електроінструмента.
- **За жодних умов не виконуйте технічне обслуговування пошкоджених акумуляторних блоків.** Технічне обслуговування акумуляторних блоків мають виконувати лише спеціалісти виробника або вповноваженого постачальника послуг.

Загальні правила безпеки під час роботи з тримером

- **Не використовуйте інструмент за поганих погодних умов, особливо якщо існує ризик удару блискавки.** Недотримання цієї вимоги підвищує ризик ураження блискавкою.
- **Ретельно огляньте ділянку, де використовуватиметься інструмент, на наявність будь-якої живності.** Під час використання інструмента ви можете завдати шкоди тваринам.
- **Ретельно перевірте ділянку, де використовуватиметься інструмент, і приборіть**

каміння, палиці, проводи, кістки та інші сторонні предмети. Предмети, що розлітаються, можуть спричинити тяжкі травми.

- **Перед використанням інструмента завжди перевіряйте фрезу або ніж і різальний пристрій на наявність пошкоджень.** Пошкоджені деталі підвищують ризик травмування.
- **Дотримуйтеся інструкцій щодо заміни аксесуарів.** Неправильно затягнуті гайки чи болти кріплення ножа можуть пошкодити ніж або призвести до його від'єднання.
- **Використовуйте засоби захисту очей, вух, голови та рук.** Належне захисне спорядження здатне зменшити ймовірність травмування сміттям, що відлітає, чи в разі випадкового контакту з ножами або кордом.
- **Працюйте з інструментом завжди в захисному взутті, що не ковзає. Не використовуйте виріб босоніж або у відкритих сандалях.** Таким чином буде зменшено ризик травмування ніг унаслідок контакту з рухомими ножами або кордом.
- **Зважте працюйте з інструментом у довгих штаних.** Предмети, які відлітають, можуть пошкодити відкриті ділянки шкіри.
- **Не пускайте сторонніх осіб у робочу зону.** Сміття, що розлітається, може призвести до серйозних травм.
- **Під час роботи завжди тримайте інструмент обома руками.** Утримуйте інструмент обома руками, щоб не втратити контроль над ним.
- **Тримайте інструмент тільки за призначені для цього ізольовані поверхні, оскільки різальна нитка або ніж може торкатися прихованої проводки.** Різальна нитка або ніж, які торкаються кабелів під напругою, можуть проводити напругу до відкритих металевих деталей інструмента, що загрожують операторові ураженням струмом.
- **Завжди працюйте з інструментом у стійкому положенні, і лише стоячи на землі.** Стоячи на слизькій чи нестійкій поверхні, можна втратити рівновагу або контроль над інструментом.
- **Не використовуйте інструмент на надмірно крутих схилах.** Це зменшує ризик втрати керування, ковзання й падіння, які можуть призвести до травмування.
- **Під час роботи на схилах завжди впевнено стійте на ногах, косіть поперек схилів і ніколи не косіть угору або вниз та будьте надзвичайно обережними під час зміни напрямку.** Це зменшує ризик втрати керування, ковзання й падіння, які можуть призвести до травмування.
- **Під час роботи інструмента не наближайтеся до фрези, нитки або ножа. Перш ніж запускати інструмент, переконайтеся, що фреза, нитка або ніж ні до чого не торкаються.** Неуважність під час роботи з інструментом може призвести до травмування вас або оточуючих.
- **Під час використання інструмента не підіймайте його вище поясу.** Це допоможе уникнути небажаних контактів із фрезою або ножем і

дасть змогу краще контролювати інструмент у непередбачених ситуаціях.

- **Під час пиляння зігнутих молодих гілок дерев і кущів гілки можуть відскочити.** Коли зігнута гілка вивільняється під час різання, вона може відскочити й ударити оператора та/або штовхнути інструмент, через що можна втратити контроль над ним.
- **Будьте максимально обережні під час пиляння молодих гілок дерев і кущів.** Тонкі гілки можуть заблокувати ніж, полетіти на оператора або порушити його рівновагу.
- **Зберігайте контроль над інструментом і не торкайтеся фрези, нитки, ножа та інших небезпечних рухомих частин, коли вони ще рухаються.** Це дасть змогу зменшити ризик травмування рухомими деталями.
- **Носіть інструмент вимкненим і тримайте при цьому подаль від тіла.** Правильне поводження з інструментом зменшить ймовірність випадкового контакту з рухомою фрезою, ниткою або ножем.
- **Використовуйте лише запасні фрези, нитки, різальні головки та ножі, рекомендовані виробником.** Неправильні змінні деталі можуть збільшити ймовірність виникнення поломки та травмування.
- **Під час видалення застряглих обрізків або обслуговування інструмента перемикач живлення має бути встановлено у вимкнене положення, а акумуляторний блок знято.** Неочікуваний запуск інструмента під час видалення застряглих обрізків чи обслуговування може призвести до тяжких травм.

Перш ніж починати роботу

- Завжди виймайте акумулятор, щоб уникнути випадкового вмикання виробу. Завжди виймайте акумулятор перед виконанням технічного обслуговування виробу.
- Перед початком використання виробу та після того, як він зазнав будь-якого удару, перевірте його на ознаки зношеності чи пошкодження та відремонтуйте за потреби.
- Перевірте робочу зону. Приберіть усі незакріплені предмети на кшталт каміння, розбитого скла, цвяхів, сталевих дротів, мотузок тощо, які можуть відскочити чи намотатися на різальний інструмент чи його кожух.
- Перевірте двигун на наявність бруду та тріщин. Очистіть двигун від трави і листя за допомогою щітки. За необхідності треба надягати рукавички.
- Упевніться, що головка тримера повністю під'єднана до тимера.
- Переконайтеся, що виріб у справному стані. Переконайтеся, що гайки й гвинти затягнуто належним чином.
- Переконайтеся, що головка тримера й захисний кожух різальної насадки не пошкоджені та не мають тріщин. Замініть головку тримера та

захисний кожух різальної насадки, якщо вони зазнали удару або мають тріщини. Завжди використовуйте кожух, що рекомендований для використаної різальної насадки. Дивіться розділ «Технічні дані».

- Під час роботи в радіусі 15 метрів від користувача виробу не повинно бути людей або тварин. Коли в одному місці застосовуються декілька виробів, безпечна відстань між операторами має становити принаймні 15 метрів.
- Перед початком роботи повністю огляньте виріб. Дивіться графік технічного обслуговування.
- Дотримуйтеся вимог національних чи місцевих норм, що стосуються поводження з пристроєм.

Завжди використовуйте здоровий глузд

Неможливо передбачити в посібнику всі ситуації, які можуть виникнути під час використання пристрою. Завжди будьте обережні та керуйтеся здоровим глуздом. Уникайте ситуацій, які виходять за межі ваших можливостей. Якщо після ознайомлення з інструкціями у вас залишається сумнів щодо того, як користуватися інструментом, перед продовженням необхідно проконсультуватися у спеціаліста.



ПОПЕРЕДЖЕННЯ: Ніколи не дозволяйте дітям використовувати інструмент чи знаходитися біля нього. Оскільки запустити пристрій досить просто, діти можуть це зробити, якщо залишити їх без нагляду. Це може означати ризик серйозної травми. Тому слід від'єднувати елемент живлення, якщо пристрій перебуває без нагляду.

Загальні правила техніки безпеки



ПОПЕРЕДЖЕННЯ: Перш ніж розпочати використання виробу, уважно прочитайте наведені нижче попередження.

- Виймайте акумулятор, щоб уникнути випадкового вмикання виробу.
- У разі неправильного або недбалого використання цей виріб може становити небезпеку. Він може спричинити серйозні травми або загибель оператора чи сторонніх осіб.
- Не використовуйте виріб у разі зміни його початкових технічних характеристик. Не замінюйте деталі виробу без дозволу виробника. Використовуйте лише сертифіковані виробником деталі. Неправильне технічне обслуговування може призвести до травм або смерті.
- Перевірте виріб перед використанням. Див. *Запобіжне обладнання на виробі на сторінці 466 та Огляд виробу на сторінці 460*. Не використовуйте виріб, який пошкоджений або не працює належним чином. Вживайте заходи

техніки безпеки та дотримуйтеся вказівок із технічного обслуговування, наведених у цьому посібнику.

- Необхідно наглядати за дітьми, щоб вони не гралися з цим виробом. Ніколи не дозволяйте дітям або невідготовленим людям використовувати виріб і / або акумулятор чи здійснювати його технічне обслуговування. Вік користувача може регламентуватися місцевими законами.
- Зберігайте виріб у закритому приміщенні, куди не матимуть доступу діти й особи без належної підготовки.
- Зберігайте акумулятор у недосяжному для дітей місці.
- За жодних обставин не змінюйте конструкцію виробу без дозволу виробника. Використовуйте лише оригінальні приладдя. Застосування недозволених модифікацій чи приладдя може призвести до тяжкої чи смертельної травми користувача чи інших осіб.
- Наведене загальне значення рівня вібрації виміряно відповідно до стандартного методу випробувань, його можна використовувати для порівняння одного інструмента з іншим.
- Наведене загальне значення рівня вібрації можна також використовувати для попередньої оцінки впливу вібрації на оператора.
- Рівень вібрації під час експлуатації електроінструмента може відрізнитися від заявленого загального значення залежно від способу використання інструмента. Оператори повинні визначити належні заходи безпеки з огляду на оцінку небезпек у реальних умовах експлуатації (з урахуванням усіх етапів робочого циклу, зокрема коли інструмент вимкнений або працює без навантаження (на додаток до часу роботи після запуску курком)).

Зверніть увагу: Дотримуйтеся вимог державних чи місцевих норм, що стосуються поводження з пристроєм.

Засоби індивідуального захисту



ПОПЕРЕДЖЕННЯ: Перш ніж розпочати використання виробу, уважно прочитайте наведені нижче попередження.

- Під час роботи з виробом завжди використовуйте сертифіковані засоби індивідуального захисту. Засоби індивідуального захисту не можуть повністю усунути небезпеку травмування, але в разі нещасного випадку знизять ступінь тяжкості травми. Дозвольте дилеру допомогти вам із вибором відповідного обладнання.

- Користуйтеся затвердженими захисними навушниками.

(Мал. 19)

- Користуйтеся відповідними засобами захисту очей. У разі використання захисної маски необхідно додатково вдягати схвалені захисні окуляри. Схвалені захисні окуляри мають відповідати стандарту ANSI Z87.1 у США або EN 166 у країнах ЄС.

(Мал. 20)

- За потреби використовуйте рукавиці, наприклад якщо необхідно приєднати, оглянути або почистити різальне обладнання.

(Мал. 21)

- Використовуйте захисне взуття зі сталевими носками й неслизькою підшоивою.

(Мал. 22)

- Використовуйте одяг, виготовлений із міцної тканини. Завжди використовуйте довгі штани з міцної тканини й сорочку з довгими рукавами. Уникайте надто просторого одягу, який може зачепитися за сучки або гілки. Не надягайте на час роботи прикраси, короткі штани чи сандалії. Не ходіть босоніж. Заколюйте волосся вище рівня плечей.
- Тримайте під рукою аптечку.

(Мал. 23)

Запобіжне обладнання на виробі



ПОПЕРЕДЖЕННЯ: Перш ніж розпочати використання виробу, уважно прочитайте наведені нижче попередження.

У цьому розділі описано засоби безпеки виробу, його призначення, а також порядок виконання перевірок і технічного обслуговування, необхідний для забезпечення його правильної роботи. Див. інструкції в розділі *Вступ на сторінці 460* щодо розташування цих деталей на виробі.

Термін служби виробу може зменшитись, а небезпека виникнення нещасних випадків збільшиться, якщо його технічне обслуговування виконується неправильно або якщо обслуговування та / або ремонт виконуються непрофесійно. Для отримання додаткової інформації зверніться до найближчого сервісного дилера.



ПОПЕРЕДЖЕННЯ: Не використовуйте виріб із пошкодженими елементами захисту. Захисне обладнання виробу потрібно перевіряти й здійснювати його технічне обслуговування згідно з указівками, поданими в цьому розділі. Якщо виріб не відповідає хоча б одній

із вимог перевірки, зверніться до центру обслуговування для ремонту.



УВАГА: Щоб проводити обслуговування та роботи з ремонту, потрібно мати спеціальну підготовку. Це особливо стосується захисного обладнання інструмента. Якщо інструмент не відповідає принаймні одній із вимог перевірки, що наведені нижче, зверніться до працівника центру обслуговування. Купуючи будь-який наш виріб, ви отримуєте гарантію на професійний ремонт та обслуговування. Якщо продавець, у якого ви купуєте інструмент, не надає послуг з обслуговування, дізнайтеся в нього, де знаходиться найближчий центр обслуговування.

Перевірка клавішної панелі

1. Натисніть і утримуйте кнопку ввімкнення / вимкнення (A). (Мал. 24)
 - a) Коли світлодіодний індикатор (B) горить, це означає, що виріб увімкнено.
 - b) Коли світлодіодний індикатор (B) не горить, це означає, що виріб вимкнено.
2. Якщо індикатор попередження (C) горить або блимає, див. *Кнопкова панель на сторінці 473*.

Перевірка фіксатора механічного пускового пристрою

Фіксатор механічного пускового пристрою запобігає випадковому запуску. Коли ви натискаєте на фіксатор (A), він розблоковує механічний пусковий пристрій (B). Коли ви випускаєте рукоятку з рук, фіксатор і механічний пусковий пристрій повертаються в початкове положення. (Мал. 25)

1. Переконайтеся у тому, що механічний пусковий пристрій заблоковано, коли фіксатор механічного пускового пристрою перебуває у вихідному положенні. (Мал. 26)
2. Натисніть механічний пусковий пристрій і переконайтеся, що він повертається до початкового положення, коли ви відпускаєте його. (Мал. 27)
3. Переконайтеся, що механічний пусковий пристрій і фіксатор рухаються вільно, а зворотна пружина працює належним чином. (Мал. 28)
4. Запустіть виріб. Див. *Увімкнення виробу на сторінці 471*.
5. Увімкніть інструмент на повну потужність.
6. Відпустіть механічний пусковий пристрій і переконайтеся в тому, що різальна насадка зупинилася.

Перевірка захисного кожуха ріжучої насадки



ПОПЕРЕДЖЕННЯ:

Забароняється використовувати ріжучу насадку без сертифікованого й правильно встановленого захисного кожуха. Використовуйте лише рекомендований для вашої різальної насадки захисний кожух. Див. *Технічні характеристики на сторінці 475*. Використання несправного чи несумісного захисного кожуха різальної насадки може спричинити тяжкі травми.

Захисний кожух шини пилки захищає від відкидання предметів у напрямку оператора. Захисний кожух різальної насадки також запобігає травмуванню в результаті торкання різальної насадки.

1. Зупиніть двигун.
2. Проведіть візуальну перевірку на предмет пошкоджень на кшталт тріщин.
3. Якщо захисний кожух ріжучої насадки пошкоджений, замініть його.

Різальне обладнання

Вибирайте правильне різальне обладнання й виконуйте технічне обслуговування різального обладнання, щоб:

- отримати максимальну продуктивність різання;
- збільшити термін служби різального обладнання.



ПОПЕРЕДЖЕННЯ: Користуйтеся різальними насадками лише з рекомендованими кожухами! Див. *Схвалені аксесуари на сторінці 476*. Щоб вибрати правильний спосіб установлення тримерного корду й пластикових лез, дивіться вказівки щодо різальної насадки.



ПОПЕРЕДЖЕННЯ: Пошкоджена різальна насадка може збільшувати ризик нещасних випадків.



ПОПЕРЕДЖЕННЯ: Завжди вимикайте живлення перед будь-якими маніпуляціями з різальною насадкою. Вона продовжуватиме обертатися навіть після того, як механічний пусковий пристрій буде відпущено. Перш ніж починати роботу з насадкою, переконайтеся в тому, що різальна насадка повністю зупинилася, і від'єднайте акумулятор від виробу.

Різальна насадка



ПОПЕРЕДЖЕННЯ: Обов'язково переконайтеся, що тримерний корд надійно й рівномірно намотаний на барабан, інакше під час роботи може виникати шкідлива вібрація.

(Мал. 29)

- Користуйтеся лише рекомендованими різальними насадками.
- Довжина тримерного корду має значення. Довгий тримерний корд вимагає потужнішого двигуна, ніж короткий корд такого самого діаметра.
- Переконайтеся, що ніж на захисному кожусі різальної насадки не пошкоджений. Він обрізує нитку до потрібної довжини.
- Щоб збільшити термін служби тримерного корду, його можна вимочити у воді протягом декількох днів.

Заходи безпеки під час роботи з акумуляторами



ПОПЕРЕДЖЕННЯ: Перш ніж розпочати використання виробу, уважно прочитайте наведені нижче попередження.

- Використовуйте акумулятори тільки серії BLi та 40-B. Для отримання додаткової інформації див. *Технічні характеристики на сторінці 475*. Акумулятор програмно заcodований.
- Використовуйте акумулятори серії BLi та 40-B, які можна заряджати, для живлення тільки відповідних виробів Husqvarna. Щоб уникнути травмування, заборонено використовувати акумулятор як джерело живлення для інших приладів.
- Небезпека враження електричним струмом. Заборонено під'єднувати клеми акумулятора до ключів, монет, гвинтів або інших металевих предметів. Це може призвести до короткого замикання в акумуляторі.
- Не використовуйте одноразові акумулятори.
- Заборонено вставляти предмети у вентиляційні отвори акумулятора.
- Тримайте акумулятор подалі від прямих сонячних променів, джерел тепла й відкритого вогню. Акумулятор може призвести до опіків та/або хімічних опіків.
- Бережіть акумулятор від дощу та вологи.
- Захищайте акумулятор від впливу мікрохвиль чи високого тиску.
- Заборонено розбирати чи ламати акумулятор.
- У разі витікання рідини з акумулятора стежте, щоб вона не потрапила на тіло чи в очі. Якщо

- рідина потрапила на шкіру, промийте уражену ділянку великою кількістю води з милом та зверніться по медичну допомогу. Якщо рідина потрапила в очі, не слід їх терти; натомість промивайте їх водою протягом щонайменше 15 хвилин та зверніться по медичну допомогу.
- Акумулятор можна використовувати за температури від -10°C до 40°C .
 - Заборонено мити батарею чи заряджальний пристрій водою. Дивіться розділ *Чищення виробу, акумулятора й зарядного пристрою на сторінці 473*.
 - Не використовуйте несправний чи пошкоджений акумулятор.
 - Зберігайте акумулятори подалі від металевих предметів на кшталт цвяхів, гвинтів чи ювелірних виробів.
 - Тримайте акумулятор подалі від дітей.

Заходи безпеки під час роботи із зарядним пристроєм



ПОПЕРЕДЖЕННЯ: Перш ніж розпочати використання виробу, уважно прочитайте наведені нижче попередження.

- Через недотримання правил техніки безпеки може виникнути ризик ураження електричним струмом або короткого замикання.
- Заборонено використовувати будь-які інші зарядні пристрої, окрім того, що йде в комплекті до виробу. Для заряджання змінних акумуляторів серії BLi та 40-B використовуйте лише зарядні пристрої QC80 та 40-C80.
- Заборонено розбирати зарядний пристрій.
- Не використовуйте зарядний пристрій із ознаками пошкодження.
- Заборонено підіймати зарядний пристрій, тримаючи його за шнур живлення. Щоб від'єднати зарядний пристрій від настінної розетки, витягніть штепсельну вилку. У жодному разі не тягніть за шнур живлення.
- Пильнуйте, щоб усі кабелі та подовжувальні шнури були якомога далі від води, мастил і гострих кутів. Переконайтеся в тому, що кабелі не здавлено сторонніми предметами, наприклад дверима, огорожею або аналогічними предметами.
- Заборонено використовувати зарядний пристрій поблизу легкозаймистих або корозійних матеріалів. Переконайтеся в тому, що зарядний пристрій нічим не накритий. При появі диму чи вогню витягніть штепсель зарядного пристрою з розетки.
- Заряджати акумулятор слід тільки в добре провітрюваних приміщеннях та подалі від

сонячного світла. Не заряджайте акумулятор надворі. Не заряджайте акумулятор у вологому середовищі.

- Використовуйте зарядний пристрій лише в приміщеннях із температурою від 5°C (41°F) до 40°C (104°F). Використовуйте зарядний пристрій лише в сухому приміщенні з належною вентиляцією, в якому немає пилу.
- Забороняється вставляти предмети у вентиляційні отвори зарядного пристрою.
- Заборонено з'єднувати контакти зарядного пристрою металевими предметами, оскільки це може призвести до короткого замикання.
- Використовуйте справні розетки відповідного типу. Переконайтеся в тому, що шнур зарядного пристрою не пошкоджено. Якщо використовуються подовжувачі, переконайтеся в тому, що вони не пошкоджені.
- Не намагайтеся заряджати одноразові батареї за допомогою зарядного пристрою.

Правила техніки безпеки під час обслуговування



ПОПЕРЕДЖЕННЯ: Перш ніж розпочати технічне обслуговування виробу, уважно прочитайте наведені нижче попередження.

- Перед технічним обслуговуванням, іншими перевітками чи монтажем виробу необхідно виймати акумулятор.
- Оператор має виконувати лише ті види технічного обслуговування, що описані в цьому посібнику користувача. У разі необхідності виконання складніших робіт із технічного обслуговування слід звернутися до сервісного дилера.
- Заборонено мити батарею чи зарядний пристрій водою. Використання сильнодіючих миючих засобів може призвести до пошкодження пластику.
- Відсутність технічного обслуговування зменшує термін служби виробу й підвищує вірогідність виникнення нещасних випадків.
- Для виконання робіт з обслуговування й ремонту, особливо в разі роботи із захисними пристроями виробу, необхідна спеціальна підготовка. Якщо після технічного обслуговування вибір не пройде частину перевірок, наведених у цьому посібнику користувача, зверніться до свого сервісного дилера. Ми гарантуємо можливість професійного ремонту й обслуговування вашого виробу.
- Використовуйте лише оригінальні запасні частини.

Збирання

Вступ



ПОПЕРЕДЖЕННЯ: Перед збиранням виробу уважно прочитайте розділ про правила техніки безпеки.

Прикріплення захисного кожуха різальної насадки

1. Установіть захисний кожух різальної насадки на корпус двигуна. (Мал. 30)
2. Перевірте стопорні гаки. (Мал. 31)
3. Закрутіть болт. Використовуйте комбінований гайковий ключ. (Мал. 32)
4. Закрутіть болт.

Заміна різальної насадки

1. Вставте комбінований гайковий ключ в отвір, щоб зафіксувати вал. (Мал. 33)
2. Поверніть різальну насадку й обережно натисніть на комбінований гайковий ключ до блокування вихідного вала.
3. Поверніть різальну насадку за годинниковою стрілкою, щоб зняти її. Перш ніж установлювати різальну насадку, переконайтеся, що встановлено приводний диск. (Мал. 34)
4. Установіть нову різальну насадку, виконавши ці дії у зворотному порядку. (Мал. 35) (Мал. 36)

Зверніть увагу: Перш ніж установлювати різальну насадку, переконайтеся, що привод диска встановлено правильно.

Установлення захисного кожуха

1. Установіть захисний кожух в отвори на корпусі двигуна. (Мал. 37)
2. Упевніться, що захисний кожух може вільно рухатися вперед і назад. (Мал. 38)

Монтаж петельного тримача

1. Вставте гвинт у петельний тримач. (Мал. 39)
2. Установіть петельний тримач у кріплення на валу.
3. Затягніть гвинти.
4. Відрегулюйте робоче положення петельного тримача. Див. *Регулювання петельного тримача й телескопічного вала на сторінці 471.*

Монтаж зарядного пристрою 40-C80 на стіні



УВАГА: Не використовуйте електричний шуруповерт для закріплення зарядного пристрою на стіні. Електричний шуруповерт може пошкодити зарядний пристрій.

1. Прикріпіть зарядний пристрій до стіни 2 гвинтами (А). Якщо треба, скористайтеся дюбелями (В). (Мал. 40)
2. Встановіть 2 заглушки для гвинтових отворів (С).
3. Під'єднайте кабель живлення (D) до зарядного пристрою й електричної розетки.

Експлуатація

Вступ



ПОПЕРЕДЖЕННЯ: Перед використанням виробу уважно прочитайте розділ про правила техніки безпеки.

Перед початком роботи з виробом

- Огляньте робочу ділянку й переконайтеся, що ви ознайомилися з видом місцевості. Огляньте нахил землі та наявність перешкод на кшталт каменів, гілок та ям.
- Проведіть загальний огляд виробу.
- Проведіть перевірки безпеки, технічне й інше обслуговування, наведені в цьому керівництві.

- Перевірте двигун на наявність бруду чи тріщин. За допомогою щітки приберіть із двигуна траву й листя. За необхідності використовуйте рукавиці.
- Перевірте головку тримера й захисний кожух різальної насадки на наявність пошкоджень або тріщин. Якщо головка тримера або захисний кожух різальної насадки пошкоджені або мають тріщини, замініть їх.
- Переконайтеся, що всі гайки й гвинти затягнуто.
- Перш ніж запустити виріб, переконайтеся, що всі кришки, захисні кожухи, ручки й різальне обладнання встановлено правильно та не пошкоджено.

Акумулятор



ПОПЕРЕДЖЕННЯ: Перед використанням акумулятора уважно прочитайте розділ про правила техніки безпеки. Прочитайте посібник користувача акумулятора й зарядного пристрою та усвідомте його зміст.

Дотримуйтеся вимог щодо температури навколишнього середовища для акумулятора й зарядного пристрою.

	Температура навколишнього середовища
Використання виробу	-5 °C-40 °C / 23 °F-104 °F

Світлодіодний індикатор	Стан акумулятора (рівень заряду)	
	BLi10, BLi20	40-B70, 40-B140
Горить 4 індикатори	Не застосовується	Акумулятор заряджений на 76-100 %.
Горить 3 індикатори	Акумулятор заряджений на 76-100 %.	Акумулятор заряджений на 51-75 %.
Горить 2 індикатори	Акумулятор заряджений на 51-75 %.	Акумулятор заряджений на 26-50 %.
Горить 1 індикатор	Акумулятор заряджений на 26-50 %.	Акумулятор заряджений на 6-25 %.
Блимає 1 індикатор	Акумулятор заряджений на 0-25 %.	Акумулятор заряджений на 0-5 %.

Зарядження акумулятора

Перед першим використанням акумулятор необхідно зарядити. Новий акумулятор заряджений лише на 30 %.



УВАГА: Зарядний пристрій слід під'єднувати до мереж живлення, напруга й частота яких відповідають значенням, указаним на табличці з паспортними даними.

Акумулятор не заряджатиметься, якщо його температура перевищує 50 °C (122 °F).

1. Під'єднайте шнур живлення до зарядного пристрою.
2. Під'єднайте зарядний пристрій до заземленої розетки. Світлодіодний індикатор зарядження блимне один раз. (Мал. 42)
3. Під'єднайте акумулятор до зарядного пристрою. Увімкнеться індикатор зарядження. Тривалість зарядження акумулятора не має перевищувати 24 години. (Мал. 43)

	Температура навколишнього середовища
Зарядження акумулятора	5 °C-40 °C / 41 °F-104 °F

Стан акумулятора

На дисплеї відображаються поточний рівень заряду акумулятора й можливі проблеми під час його роботи.

(Мал. 41)

4. Натисніть кнопку індикатора акумулятора; якщо всі світлодіодні індикатори засвіяться, акумулятор повністю заряджений.
5. Потягніть штепсельну вилку, щоб від'єднати зарядний пристрій від розетки чи роз'єму живлення. У жодному разі не тягніть за шнур живлення.
6. Вийміть акумулятор із зарядного пристрою.

Під'єднання акумулятора до виробу



ПОПЕРЕДЖЕННЯ:

Використовуйте з інструментом лише акумулятори Husqvarna.

1. Повністю зарядіть акумулятор.
2. Вставте акумулятор у тримач акумулятора виробу. Акумулятор зафіксується на місці, коли ви почуєте клацання. (Мал. 44)



УВАГА: Якщо акумулятор не вставляється в тримач легко, ви встановлюєте його неправильно. Це

може призвести до пошкодження виробу.

Увімкнення виробу

1. Натисніть кнопку запуску/зупинки й утримуйте її, доки не ввімкнеться зелений світлодіодний індикатор. (Мал. 45)
2. Натисніть фіксатор механічного пускового пристрою та пусковий пристрій. Різальне обладнання почне обертатися.

Регулювання петельного тримача й телескопічного вала

1. Відпустіть затискач і відрегулюйте положення петельного тримача. (Мал. 46)
2. Закрийте затискач.
3. Відпустіть важіль на валу. (Мал. 47)
4. Відрегулюйте довжину вала. Упевніться, що трикутник на валі видно. (Мал. 48)
5. Закрийте важіль і закрутіть гвинт.

Зверніть увагу: Не закріплюйте петельний тримач поверх попереджувальних наклейок на валі.

Використання функції SavE

Цей виріб оснащений функцією енергозбереження – SavE.

Зверніть увагу: Функція SavE не знижує потужність різання виробу.

1. Натисніть кнопку SavE на кнопковій панелі.
2. Переконайтеся в тому, що зелений світлодіодний індикатор увімкнувся.
3. Для вимкнення функції натисніть кнопку SavE ще раз. Зелений світлодіодний індикатор вимкнеться. (Мал. 49)

Функція автоматичного вимкнення

Виріб має функцію вимкнення, яка зупиняє його, якщо він не використовується. Зелений індикатор для ввімкнення / вимкнення вимикається, а виріб припиняє роботу через 180 секунд.

Робота з виробом

Зрізання трави

1. Під час скошування трави пластикові леза або кінці тримерного корду мають бути розташовані паралельно землі. (Мал. 50)
2. Не притискайте Tri-Cut або головку тримера до землі. Це може призвести до пошкодження виробу.

Зверніть увагу: Низька температура навколишнього середовища близько 0 °C може призвести до розлому леза або розриву тримерного корду.

3. Під час зрізання трави переміщуйте виріб зі сторони в сторону. (Мал. 51)

Зверніть увагу: Не використовуйте виріб із пошкодженою різальною насадкою. Пошкоджена різальна насадка може призвести до дисбалансу й пошкодження виробу.

Підмітання трави

Потік повітря від пластикових лез або кінців тримерного корду, що обертаються, можна використовувати для прибирання трави.

1. Утримуйте головку тримера, пластикові леза або тримерний корд паралельно землі так, щоб вони не торкалися ґрунту.
2. Увімкніть виріб на максимальну потужність.
3. Переміщуйте різальну насадку зі сторони в сторону й підмітайте таким чином траву.



ПОПЕРЕДЖЕННЯ: Кожного разу під час установлення нових пластикових лез або нового тримерного корду чистьте кришку головки тримера, адже це дасть змогу уникнути розбалансування та вібрації в рукоятках. Крім того, перевіряйте інші частини різальної насадки й за необхідності очищуйте їх.

Підстригання трави біля об'єктів

1. Опустіть захисну рамку. (Мал. 52)
2. Використовуйте захисну рамку, щоб уникнути пошкодження інших об'єктів. (Мал. 53)

Вимкнення виробу

1. Відпустіть механічний пусковий пристрій і його фіксатор.
2. Натискайте кнопку запуску / зупинки, доки зелений світлодіодний індикатор не вимкнеться.
3. Натисніть кнопки виймання на акумуляторі й витягніть його з інструмента. (Мал. 54)

Заміна пластикових лез або тримерного корду

Дивіться останні сторінки цього посібника користувача.

ТЕХНІЧНЕ ОБСЛУГОВУВАННЯ

Вступ



ПОПЕРЕДЖЕННЯ: Перед технічним обслуговуванням уважно прочитайте розділ про правила техніки безпеки.

Нижче наведено перелік заходів технічного обслуговування, які слід виконувати. Див. *Огляд виробу на сторінці 460* для отримання детальнішої інформації.

Графік технічного обслуговування



ПОПЕРЕДЖЕННЯ: Перед технічним обслуговуванням необхідно виймати акумулятор.

Технічне обслуговування	Щодня	Щотижня	Щомісяця
Очистьте зовнішні деталі виробу сухою ганчіркою. Не використовуйте воду.	X		
Переконайтеся, що кнопки ввімкнення / вимкнення працюють правильно й не пошкоджені.	X		
Переконайтеся, що механічний пусковий пристрій і його фіксатор працюють правильно з точки зору безпеки.	X		
Переконайтеся, що ручки сухі та чисті.	X		
Переконайтеся, що кожух різальної насадки не пошкоджений. Якщо захисний кожух різальної насадки пошкоджений, замініть його.	X		
Упевніться, що ручку чи рукоятку не пошкоджено й встановлено правильно.	X		
Перевірте механізм блокування телескопічного вала. Див. <i>Перевірка стопорного механізму телескопічного вала на сторінці 473</i> .	X		
Перевірте зарядний пристрій і переконайтеся, що він функціонує правильно й не має пошкоджень.	X		
Перевірте акумулятор на відсутність пошкоджень.	X		
Переконайтеся, що акумулятор заряджений.	X		
Переконайтеся, що зарядний пристрій не пошкоджений.	X		
Упевніться, що зовнішні гвинти й гайки затягнуто.		X	
Переконайтеся, що кнопки фіксатора на акумуляторі справні та надійно втримують акумулятор у виробі.		X	
Перевірте, чи достатньо мастила в котушці головки тримера.		X	
Почистьте й перевірте з'єднання між акумулятором і виробом.			X
Почистьте й перевірте з'єднання між акумулятором і зарядним пристроєм.			X

Перевірка акумулятора й зарядного пристрою

1. Перевірте акумулятор на наявність пошкоджень на кшталт тріщин.

2. Перевірте зарядний пристрій на наявність пошкоджень на кшталт тріщин.

3. Перевірте з'єднувальний шнур зарядного пристрою на предмет пошкоджень і тріщин.

Чищення виробу, акумулятора й зарядного пристрою

1. Після використання протріть виріб сухою тканиною.
2. Протріть сухою тканиною акумулятор і зарядний пристрій. Тримайте напрямні рейки акумулятора в чистоті.
3. Перед встановленням акумулятора в зарядний пристрій чи виріб переконайтеся, що контакти акумулятора й зарядного пристрою чисті.

Перевірка й заміна головки тримера Tri-Cut

1. Перевірте головку тримера Tri-Cut на наявність пошкоджень і тріщин.

2. Зніміть головку тримера Tri-Cut. *Дивіться розділ «Зняття головки тримера Tri-Cut» на останній сторінці цього посібника користувача.*
3. Зберіть головку тримера Tri-Cut. *Див. Заміна різальної насадки на сторінці 469.*

Перевірка стопорного механізму телескопічного вала

1. Виконайте перевірку стопорного механізму телескопічного вала.
2. Відрегулюйте скручувальне зусилля. (Мал. 55)

Усунення несправностей

Кнопкова панель

Світлодіодний екран	Можливі несправності	Можливі рішення
Блимає світлодіодний індикатор помилки.	Перевантаження	Різальна насадка не може рухатися вільно. Вивільніть шину пилки
	Відхилення температури від норми	Дайте виробу охолонути.
Виріб не запускається.	Натисніть механічний пусковий пристрій і одночасно натисніть кнопку запуску.	Відпустіть механічний пусковий пристрій і зупиніть пристрій.
Світлодіодний індикатор помилки світиться червоним світлом.	Необхідно виконати обслуговування виробу	Зверніться до свого дилера з обслуговування.

Акумулятор

Світлодіодний дисплей	Можливі несправності	Рекомендовані дії
Блимає зелений світлодіод.	Недостатня напруга акумуляторної батареї.	Зарядіть акумулятор.
Блимає світлодіодний індикатор помилки.	Відхилення температури від норми.	Акумулятор дозволяється використовувати за температури від -10°C (14°F) до 40°C (104°F).
	Занадто висока напруга.	Упевніться, що напруга в мережі відповідає значенню, зазначеному в паспортній таблиці інструмента. Вийміть акумулятор із зарядного пристрою.
Горить світлодіодний індикатор помилки.	Завелика різниця напруги між елементами акумуляторної батареї (1 В).	Зверніться до свого дилера з обслуговування.

Зарядний пристрій

Несправність	Можливі несправності	Можливе рішення
Індикатор заряджання світиться червоним.	Систематична помилка зарядного пристрою.	Зверніться до дилера.
Індикатор заряджання блимає зеленим.	Акумулятор є надто холодним або надто гарячим для використання чи заряджання.	Дайте акумулятору охолонути або підігрійте його. Коли температура акумулятора досягне прийнятних значень, його можна буде знову використовувати або заряджати. Зарядний пристрій дозволяється використовувати за температури навколишнього середовища від 5 °C (41 °F) до 40 °C (104 °F).
Індикатор заряджання блимає чорвоним.	Акумулятор несправний.	Зверніться до дилера.

Транспортування, зберігання й утилізація

Транспортування та зберігання

- На літій-іонні акумулятори поширюються правила щодо небезпечного вантажу.
- У разі перевезення пасажирським або вантажним транспортом дотримуйтеся спеціальних вимог щодо упаковки й маркування (це правило також стосується третіх осіб і експедиторів).
- Перш ніж відправляти виріб, проконсультуйтеся з особою, що пройшла спеціальну підготовку щодо поводження з небезпечними матеріалами. Дотримуйтеся всіх застосованих національних норм і правил.
- Перед пакуванням акумулятора ізолюйте відкриті контакти. Зафіксуйте акумулятор у упаковці, щоб він не рухався.
- Під час підготовки до зберігання чи транспортування виробу завжди виймайте акумулятор.
- Зберігайте акумулятор і зарядний пристрій у сухому приміщенні, захищеному від вологи та низьких температур.
- Заборонено зберігати акумулятор у місці, де можуть утворюватися статичні заряди. Не зберігайте акумулятор у металевій коробці.
- Зберігайте акумулятор за температури 5–25 °C у захищеному від прямих сонячних променів місці.
- Зберігайте зарядний пристрій за температури від 5 °C до 45 °C у захищеному від прямих сонячних променів місці.
- Використовуйте зарядний пристрій лише за температури навколишнього середовища 5–40 °C.

- Перед довготривалим зберіганням акумулятор необхідно зарядити на 30–50 %.
- Зберігайте зарядний пристрій у сухому закритому приміщенні.
- Зберігайте акумулятор і зарядний пристрій окремо. Не дозволяйте дітям та іншим особам без належної підготовки торкатися обладнання. Зберігайте обладнання в приміщеннях, які можна закрити на замок.
- Перед тривалим зберіганням промийте виріб і проведіть повне технічне обслуговування.
- Під час транспортування й зберігання використовуйте чохол для транспортування, що допоможе захистити виріб від травм і пошкоджень.
- Під час транспортування надійно закріплюйте виріб.

Утилізація акумулятора, зарядного пристрою й виробу

Символи на виробі або упаковці виробу вказують на те, що виріб не слід утилізувати разом із побутовими відходами. Утилізацію необхідно проводити на підприємстві з переробки відходів електричного й електронного обладнання. Це допоможе запобігти шкоді навколишньому середовищу й людям.

Зверніться до місцевих органів влади, місцевої служби переробки відходів або дилера по додаткову інформацію про методи утилізації виробу.

Технічні характеристики

Технічні характеристики

	215iL-TC
Електродвигун	
Тип двигуна	BLDC
Частота обертання вихідного вала, об/хв	6800
Ширина зрізання, мм	255
Маса	
Маса без акумулятора, кг	2,9
Випромінювання шуму ⁸²	
Рівень звукової потужності, дБ (А)	90,8
Гарантований рівень звукової потужності, L _{WA} дБ(А)	93
Рівні шуму ⁸³	
Еквівалентний рівень звукового тиску у вусі оператора, виміряний відповідно до стандарту IEC 62841-4-4, дБ(А)	81,3
Рівні вібрації ⁸⁴	
Рівень вібрації в ручках, виміряний відповідно до стандарту IEC 62841-4-4, м/с ²	3,0 / 2,7
3 установленою (оригінальною) головою тримера, передня / задня частина.	

Схвалені акумулятори для виробу

Акумулятор	BLi10		BLi20		40-B70	40-B140
Тип	Літій-іонний		Літій-іонний		Літій-іонний	Літій-іонний
Ємність батареї, ампер-години	Див. паспортну табличку акумулятора		Див. паспортну табличку акумулятора		Див. паспортну табличку акумулятора	Див. паспортну табличку акумулятора
Номінальна напруга, В	36	36,5	36	36,5	36	36

⁸² Випромінювання шуму в середовище, виміряне як звукова потужність (L_{WA}), відповідає директиві ЄС 2000/14/ЄС. Різниця між гарантованим і вимірюваним рівнем звукової потужності полягає в тому, що гарантована звукова потужність включає також дисперсію результатів вимірювання й відмінності між різними виробами тієї самої моделі відповідно до Директиви 2000/14/ЄС.

⁸³ Представлені дані для еквівалентного рівня звукового тиску для виробу мають типову статистичну дисперсію (стандартне відхилення) в 3 дБ(А).

⁸⁴ Заявлені дані щодо рівня вібрації мають стандартну статистичну розбіжність (стандартне відхилення) у 1,5 м/с².

Акумулятор	BLi10		BLi20		40-B70	40-B140
Маса, фунти / кг	0,7	0,7	1,2	1,2	0,8	1,25

Схвалені зарядні пристрої для виробу

Зарядний пристрій	QC80	40-C80
Напруга електромережі, В	100–240	100–240
Частота, Гц	50–60	50–60
Потужність, Вт	100	72
Вихідна напруга, В пост. струму / ампер, А	36/2	43 / 1,6

Додаткове приладдя

Схвалені аксесуари

Схвалені аксесуари	Тип	Захисний кожух різальної насадки, арт. №
Головка тримера	R25B (шнур діаметром 2 мм)	529 96 69-01
Головка тримера	Tri-Cut B (255 мм)	529 96 69-01

Декларація відповідності

Декларація відповідності ЄС

Ми, компанія **Husqvarna AB**, SE-561 82 Huskvarna, Швеція, тел.: +46-36-146500, заявляємо під свою виключну відповідальність, що представлений виріб:

Опис	Акумуляторний тример для трави
Бренд	Husqvarna
Тип / модель	215iL-TC
Ідентифікація	Серійні номери за 2025 рік і пізніше

повністю відповідає таким директивам і нормам ЄС:

Директива / норма	Опис
2006/42/EC	«Про механічне обладнання»
2014/30/EU	«Про електромагнітну сумісність»
2000/14/EC	«Про виділення шуму в навколишнє середовище»
2011/65/EU	«Про обмеження використання деяких небезпечних речовин в електричному й електронному обладнанні»

і що до нього застосовуються вказані далі узгоджені стандарти та (або) технічні специфікації: EN 62841-1:2015+A11:2022, IEC 62841-4-4:2020, EN ISO 12100:2010, EN IEC 63000:2018, EN IEC 55014-1:2021; EN IEC 55014-2:2021.

Уповноважений орган: компанія 0036 TÜV SÜD Industrie Service GmbH, Westendstraße199,80686 München, Germany підтвердила відповідність вимогам Директиви ради ЄС 2000/14/EC, процедура оцінки відповідності: Додаток VI.

Відомості стосовно випромінювання шуму див. у розділі *Технічні характеристики на сторінці 475*.

Husqvarna, 2025-01-10



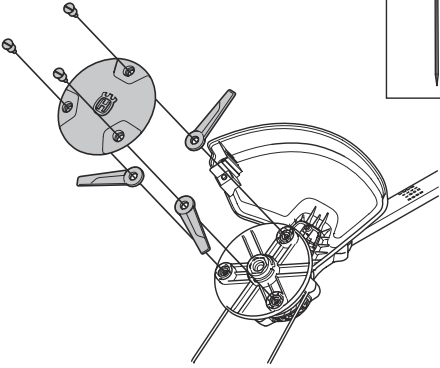
Клас Лосдал (Claes Losdal), директор відділу НДДКР, Husqvarna AB

Відповідальний за технічну документацію

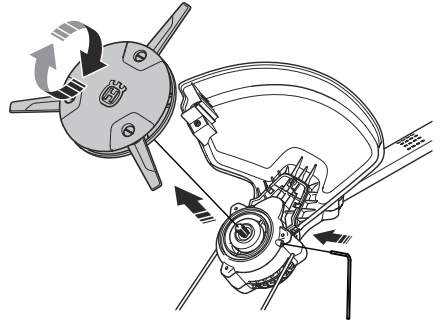




1



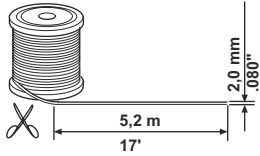
2



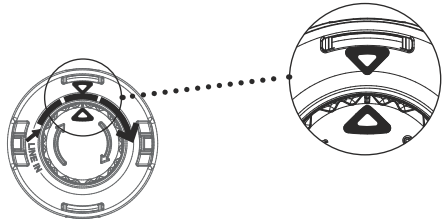
R25B



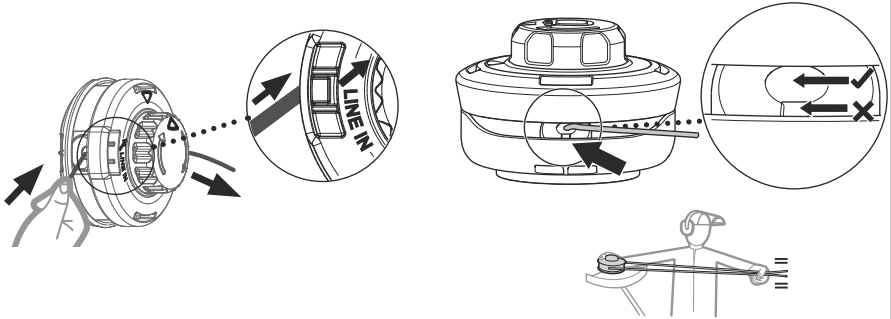
1



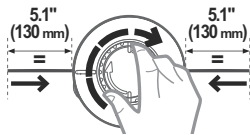
2



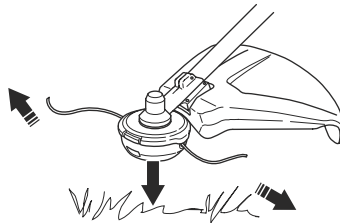
3



4



5



Husqvarna®

www.husqvarna.com

Original instructions
Оригинални инструкции
Původní pokyny
Originale instruktioner
Originalanweisungen
Αρχικές οδηγίες
Instrucciones originales
Originaaljuhend
Alkuperäiset ohjeet
Instructions d'origine

Originalne upute
Eredeti útmutatás
Istruzioni originali
取扱説明書原本

Originalios instrukcijos
Lietošanas pamācība
Originele instructies
Originale instruksjoner
Oryginalne instrukcje
Instrucções originais
Instrucțiuni inițiale
Оригинальные инструкции
Původně pokyny
Izvirna navodila
Originalna uputstva
Bruksanvisning i original
Orijinal talimatlar
Оригинальні інструкції



2024-12-25